



US00D523073S

(12) **United States Design Patent**
Amemiya et al.

(10) **Patent No.:** **US D523,073 S**
(45) **Date of Patent:** **** Jun. 13, 2006**

(54) **INK-JET PRINTER**

(75) Inventors: **Kanae Amemiya**, Tokyo (JP); **Masaaki Kabumoto**, Chiba (JP); **Goro Katsuyama**, Kanagawa (JP); **Ryota Yano**, Kanagawa (JP); **Osamu Miki**, Kanagawa (JP)

(73) Assignee: **Ricoh Company, Ltd.**, Tokyo (JP)

(**) Term: **14 Years**

(21) Appl. No.: **29/235,722**

(22) Filed: **Aug. 5, 2005**

Related U.S. Application Data

(63) Continuation of application No. 29/180,515, filed on Apr. 25, 2003, now abandoned.

(30) **Foreign Application Priority Data**

Oct. 31, 2002 (JP) 2002-029782

(51) **LOC (8) Cl.** **14-02**

(52) **U.S. Cl.** **D18/50**

(58) **Field of Classification Search** D18/36-39, D18/46-49, 53-54, 54.1, 55, 14, 19, 50-51; D14/420-425, 462-470; 400/613, 613.1-613.4, 400/690.1-690.4, 691-694

See application file for complete search history.

(56) **References Cited**

U.S. PATENT DOCUMENTS

D296,903 S 7/1988 Ooie
D322,451 S 12/1991 McClelland et al.
D340,944 S 11/1993 Ishizawa

D352,732 S 11/1994 Dubson et al.
D369,181 S 4/1996 Kobayashi
D376,814 S 12/1996 Asai et al.
5,666,146 A 9/1997 Mochizuki et al.
5,788,388 A 8/1998 Cowger et al.
5,860,363 A 1/1999 Childers et al.
6,264,314 B1 7/2001 Mochizuki et al.
D448,796 S 10/2001 Clark et al.
D475,083 S 5/2003 Kusanagi
D484,185 S 12/2003 Cercos et al.

FOREIGN PATENT DOCUMENTS

JP 10-202900 1/1997
JP 10-202901 1/1997
JP 3024260 3/2000

Primary Examiner—Cathy Anne MacCormac

(74) *Attorney, Agent, or Firm*—Dickstein Shapiro Morin & Oshinsky LLP

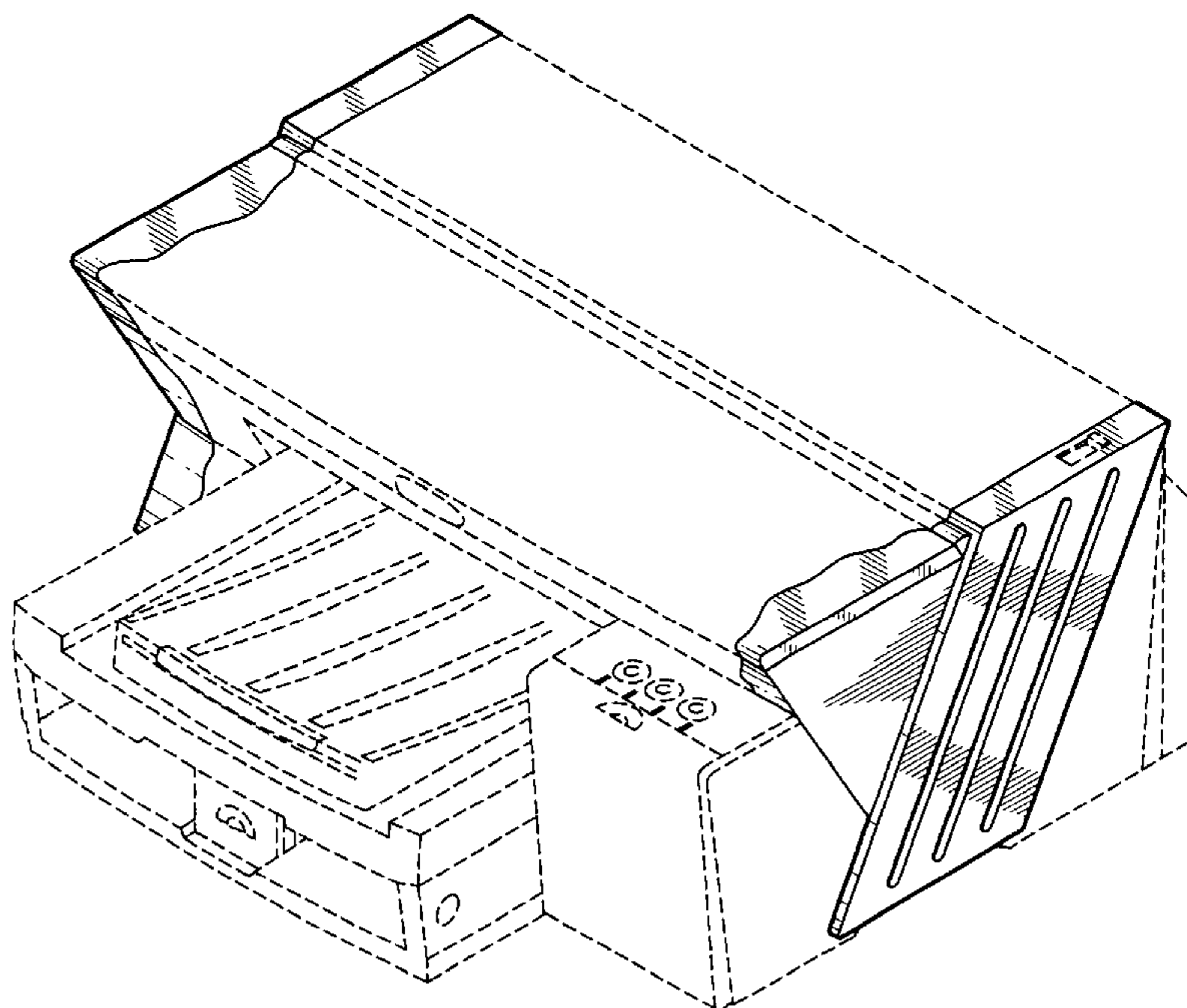
(57) **CLAIM**

The ornamental design for an ink-jet printer, as shown and described.

DESCRIPTION

FIG. 1 is a front elevation of an ink-jet printer according to the present invention;
FIG. 2 is a rear elevation thereof;
FIG. 3 is a top plan view thereof;
FIG. 4 is a bottom plan view thereof;
FIG. 5 is a right side elevation thereof;
FIG. 6 is a left side elevation thereof; and,
FIG. 7 is a top, front and right side perspective view thereof. The broken lines are for purposes of illustration only and form no part of the claimed design.

1 Claim, 4 Drawing Sheets



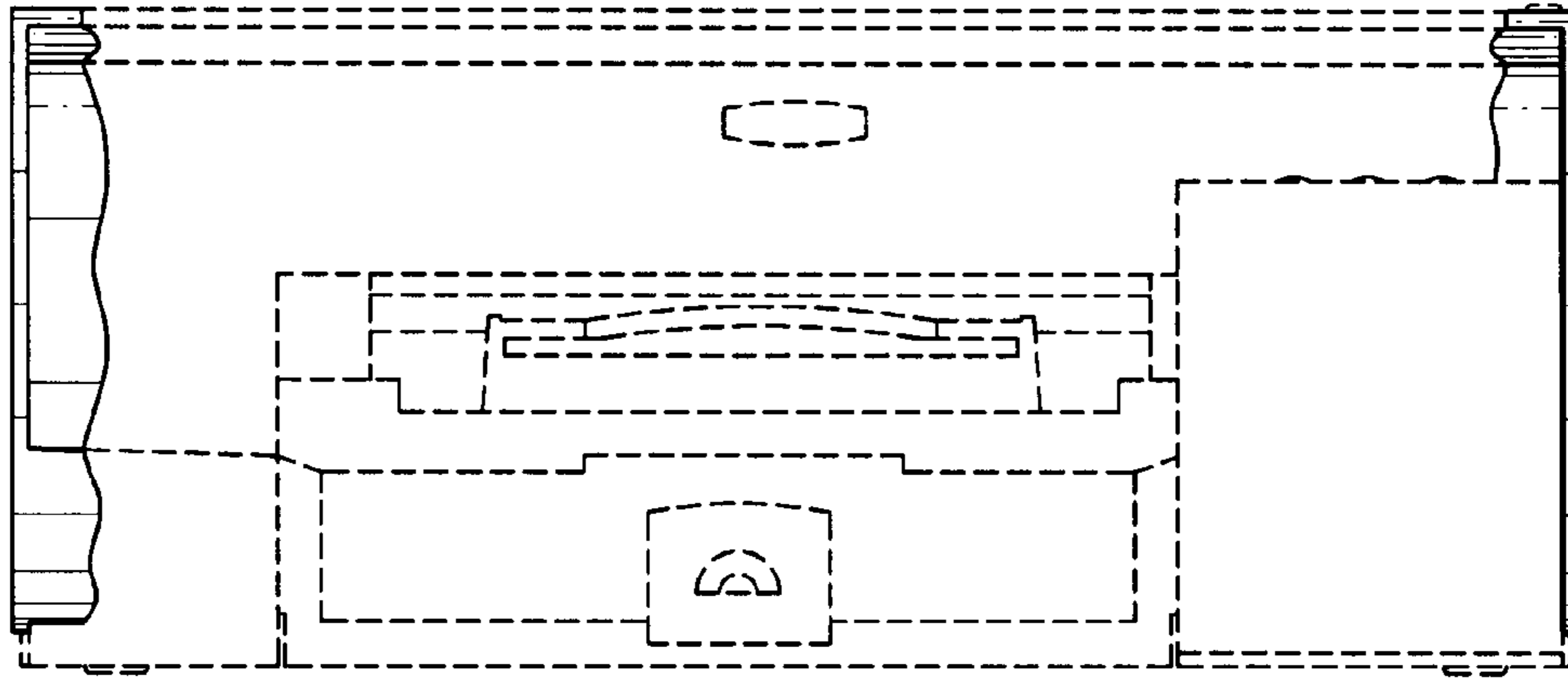


FIG. 1

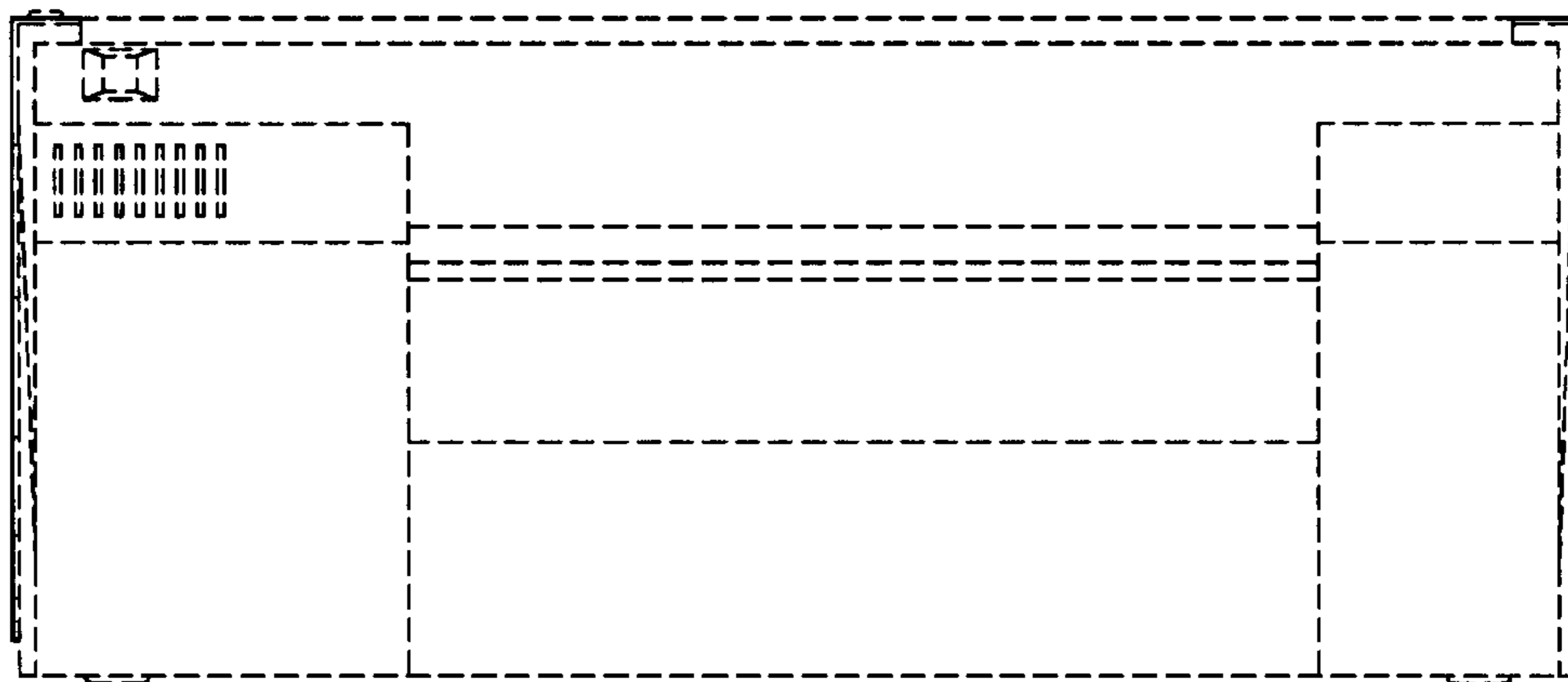


FIG. 2

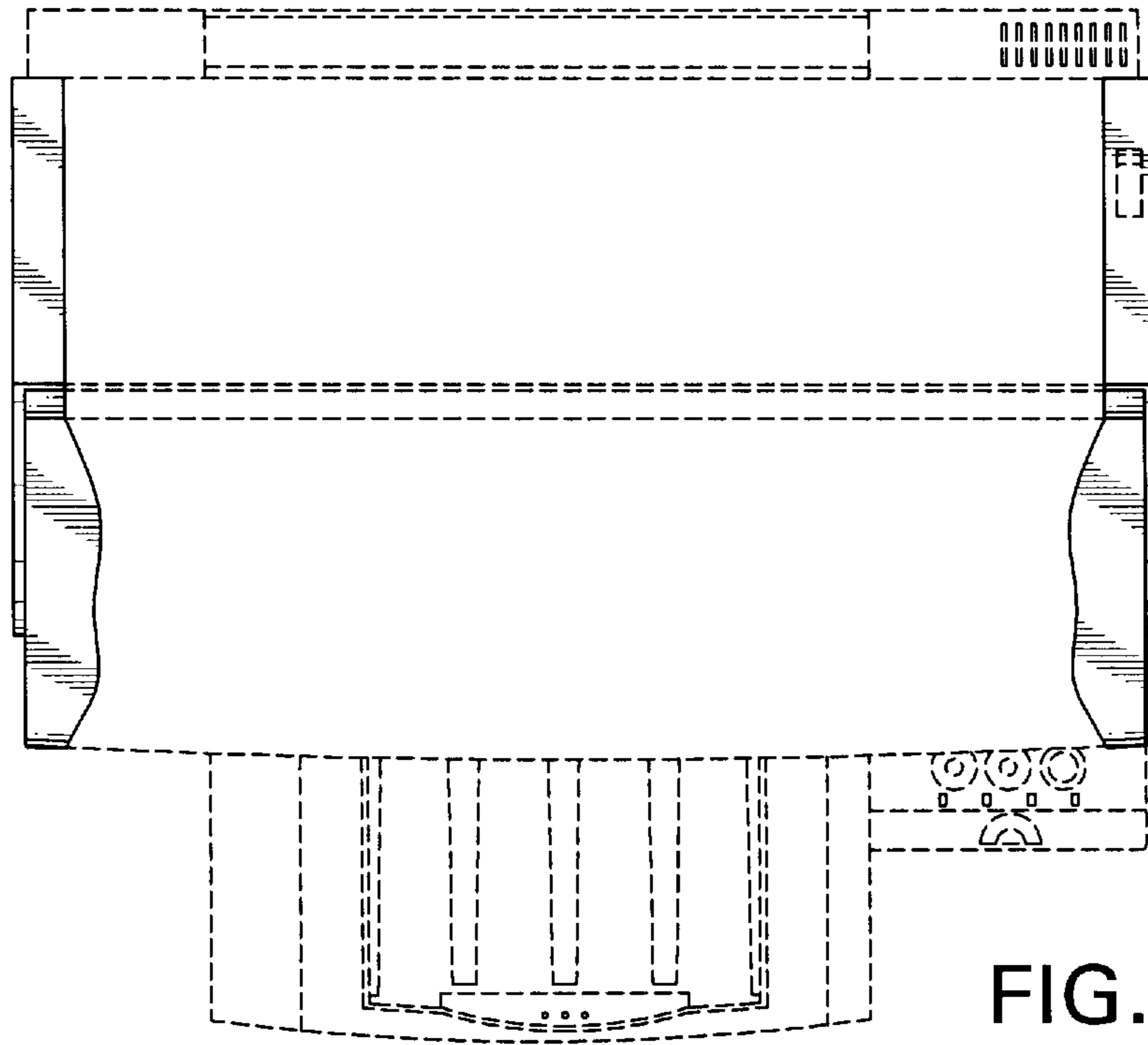


FIG. 3

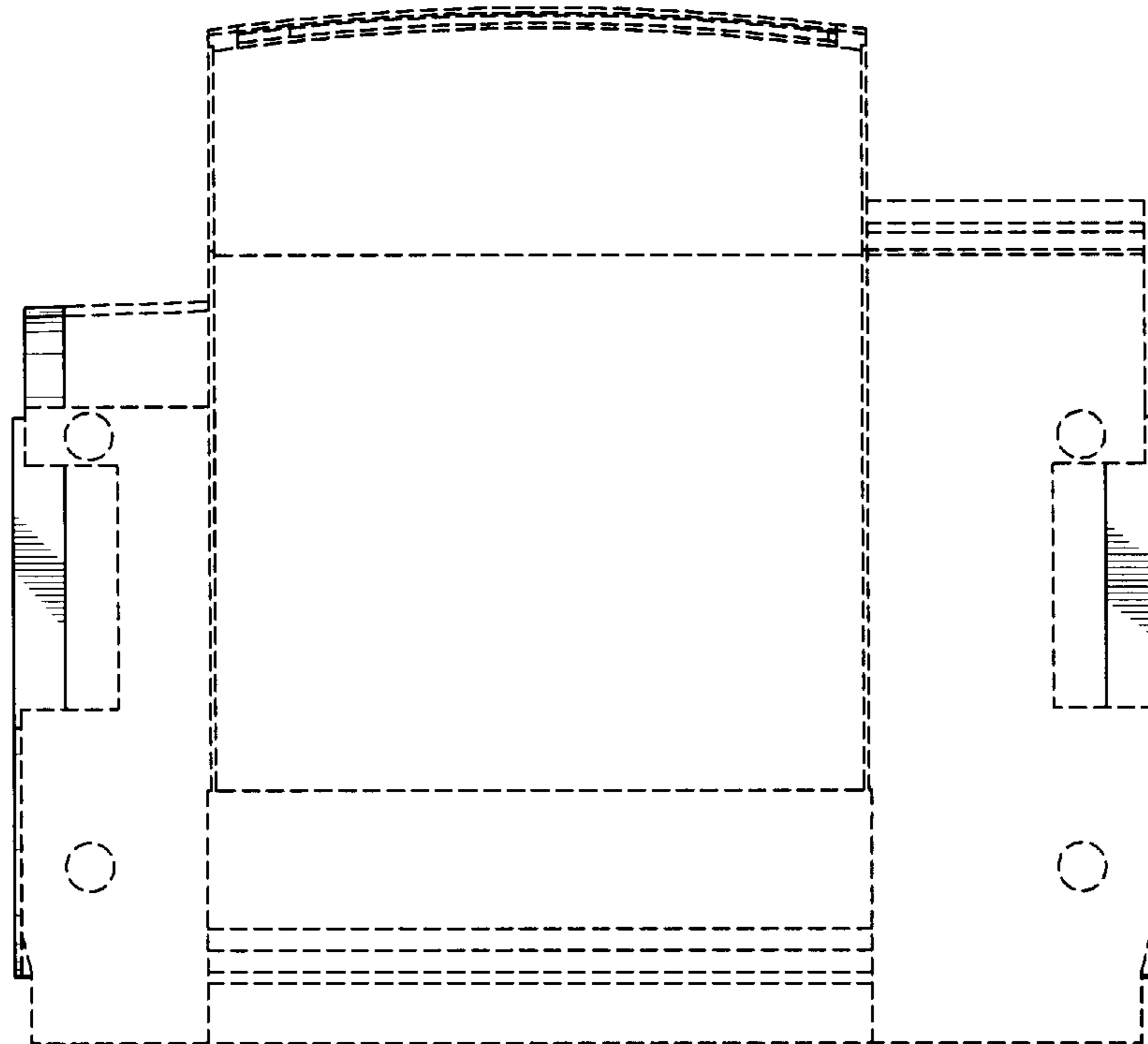


FIG. 4

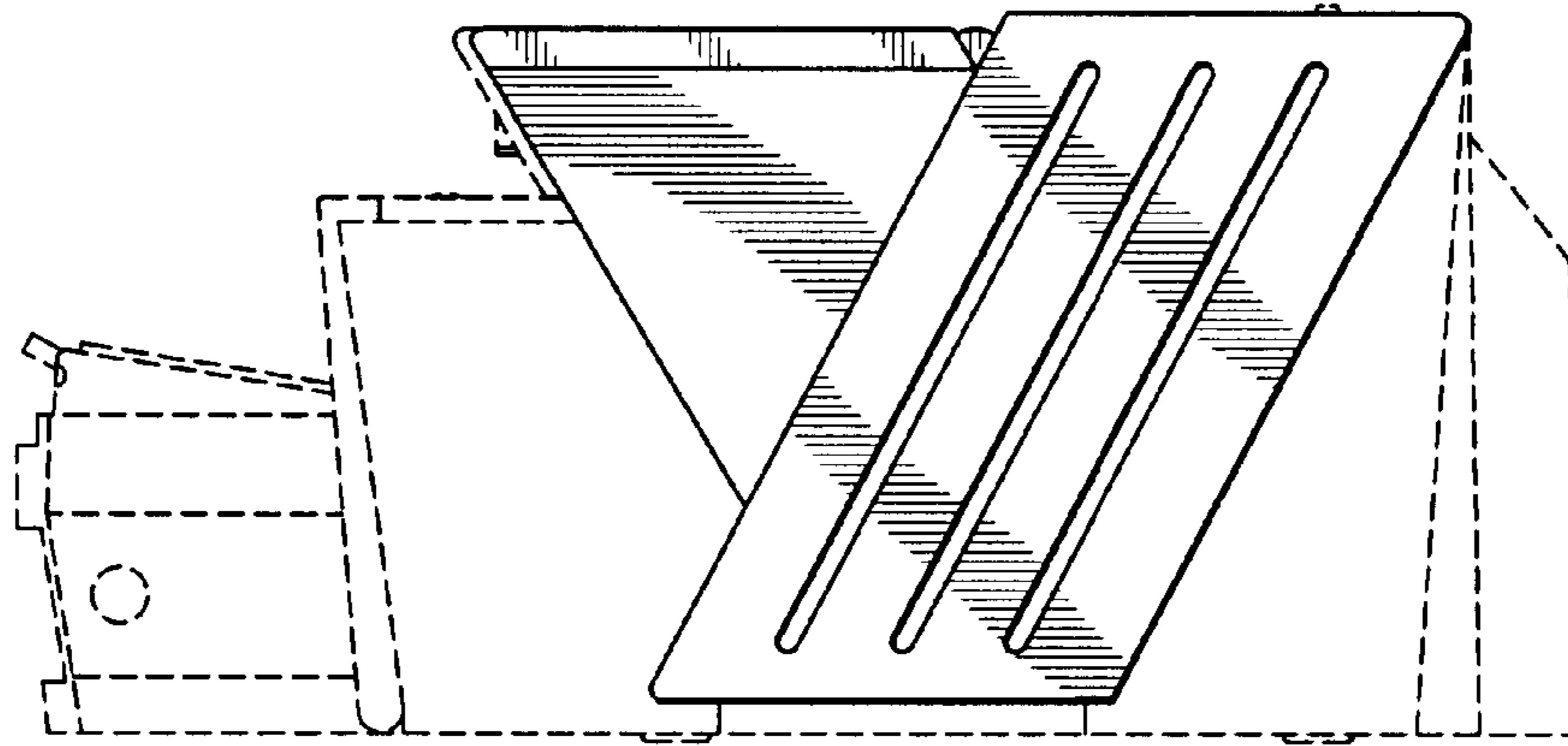


FIG. 5

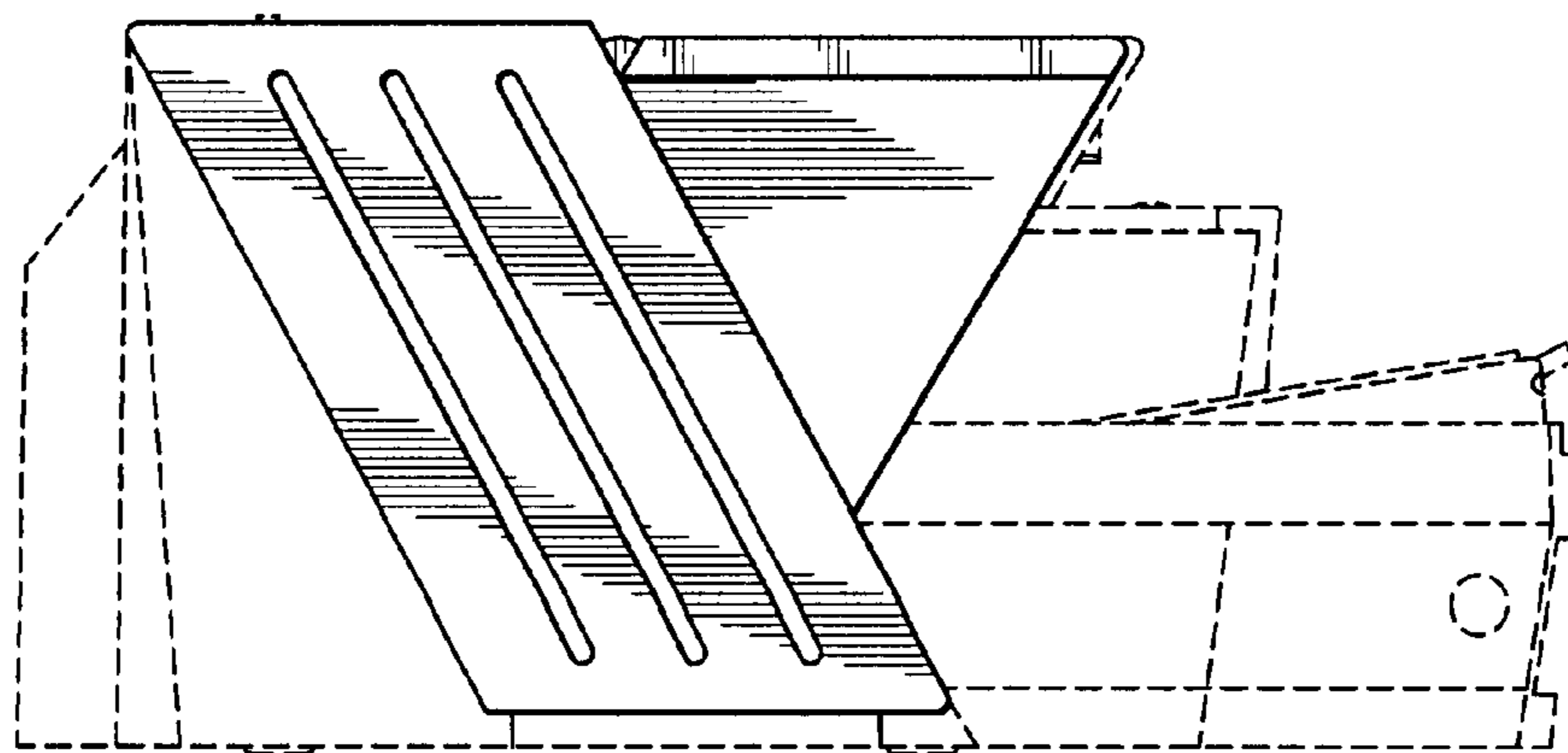


FIG. 6

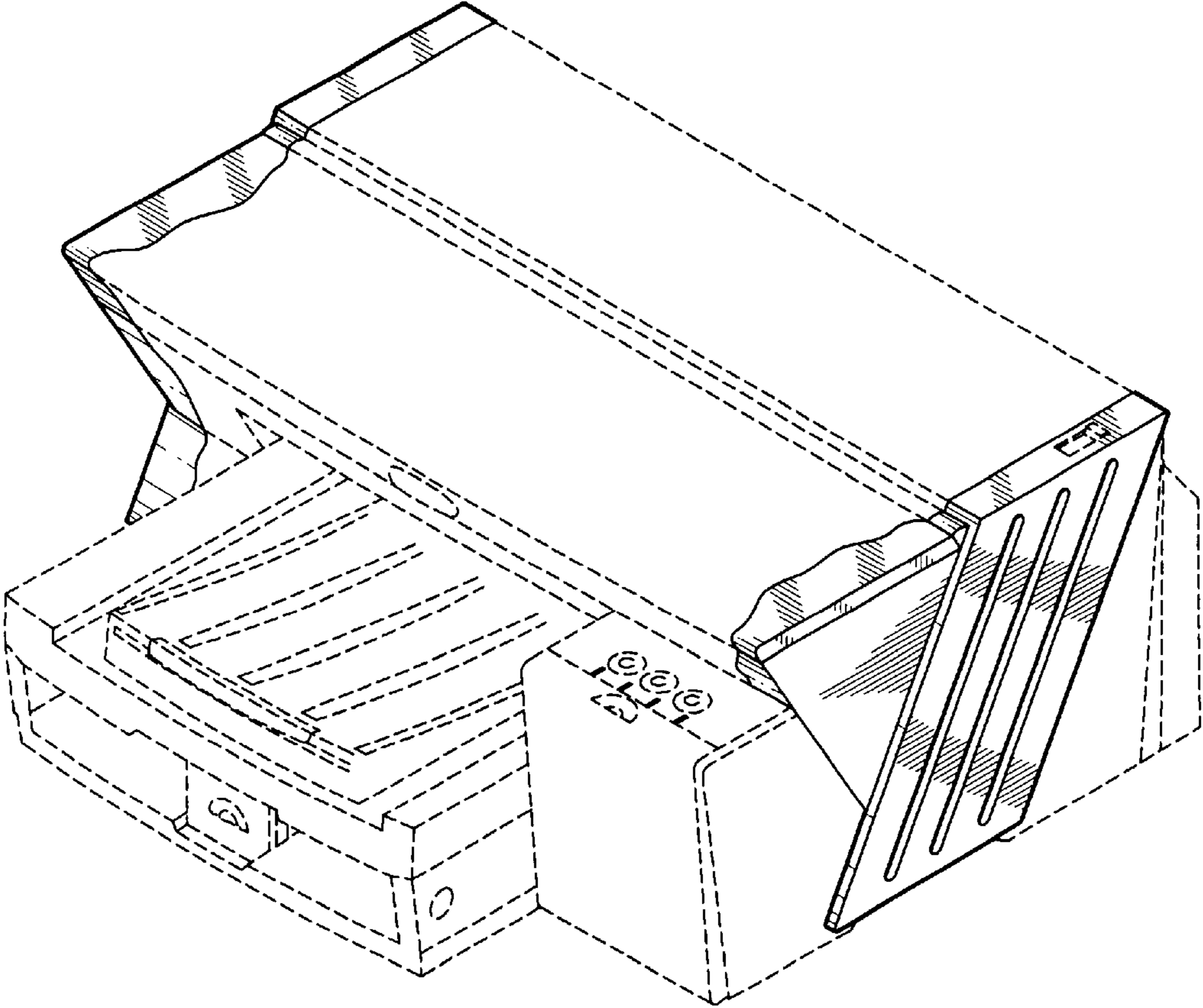


FIG. 7