



US00D523068S

(12) **United States Design Patent**
Hoshiya et al.

(10) **Patent No.:** **US D523,068 S**
(45) **Date of Patent:** **** Jun. 13, 2006**

(54) **PRINTER WITH COPYING AND SCANNING FUNCTIONS**

(75) Inventors: **Kazuhiro Hoshiya**, Nagoya (JP);
Shigeharu Katayama, Kakamigahara (JP);
Takashi Ohama, Iwakara (JP);
Ryoichi Matsushima, Kuwana (JP)

(73) Assignee: **Brother Kogyo Kabushiki Kaisha**,
Nagoya (JP)

(**) Term: **14 Years**

(21) Appl. No.: **29/185,381**

(22) Filed: **Jun. 27, 2003**

Related U.S. Application Data

(63) Continuation-in-part of application No. 10/396,603, filed on
Mar. 16, 2003.

(30) **Foreign Application Priority Data**

Dec. 27, 2002 (JP) 2002-379794
Dec. 27, 2002 (JP) 2002-379795

(51) **LOC (8) Cl.** **18-02**

(52) **U.S. Cl.** **D18/50; D18/36; D18/40**

(58) **Field of Classification Search** D18/19,
D18/36-41, 50, 53, 54, 54.1, 55; D14/420-425,
D14/462-470, 349; 400/613, 613.1, 613.4,
400/690.1-690.4, 691-694; 355/97, 400;
399/1, 3, 81, 87, 107-108, 130, 151
See application file for complete search history.

(56) **References Cited**

U.S. PATENT DOCUMENTS

4,300,248 A 11/1981 Dworkin
4,473,220 A 9/1984 Hovens et al.
4,993,546 A 2/1991 Southard

(Continued)

FOREIGN PATENT DOCUMENTS

EP 1 098 505 A2 5/2001

JP U-5-48024 6/1993
JP A-8-6337 1/1996
JP A-8-339101 12/1996
JP A-9-261422 10/1997
JP A-09-325550 12/1997
JP A-10-157212 6/1998

(Continued)

Primary Examiner—Cathy Anne MacCormac
(74) *Attorney, Agent, or Firm*—Oliff & Berridge, PLC

(57) **CLAIM**

The ornamental design for a printer with copying and scanning functions, as shown and described.

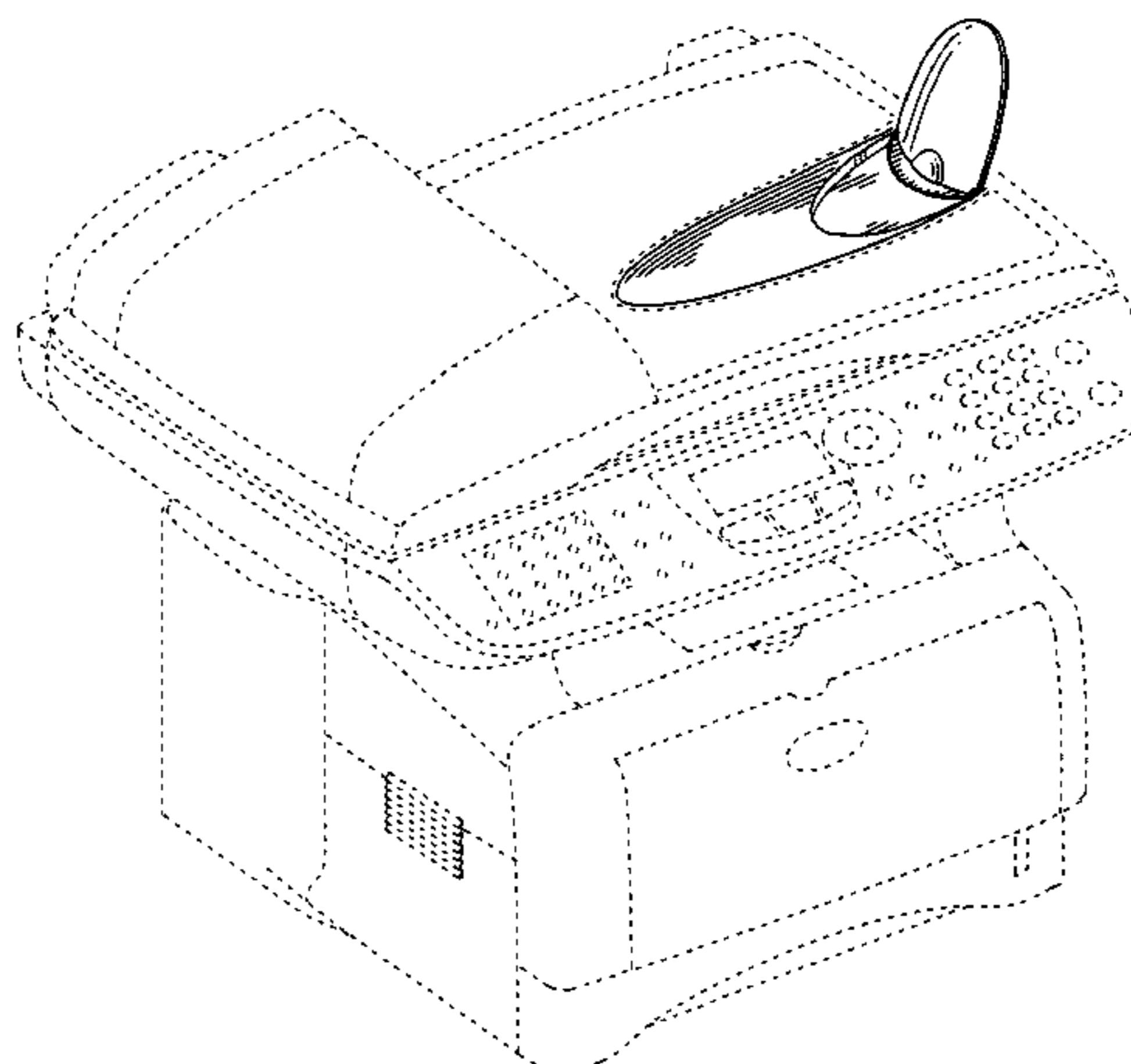
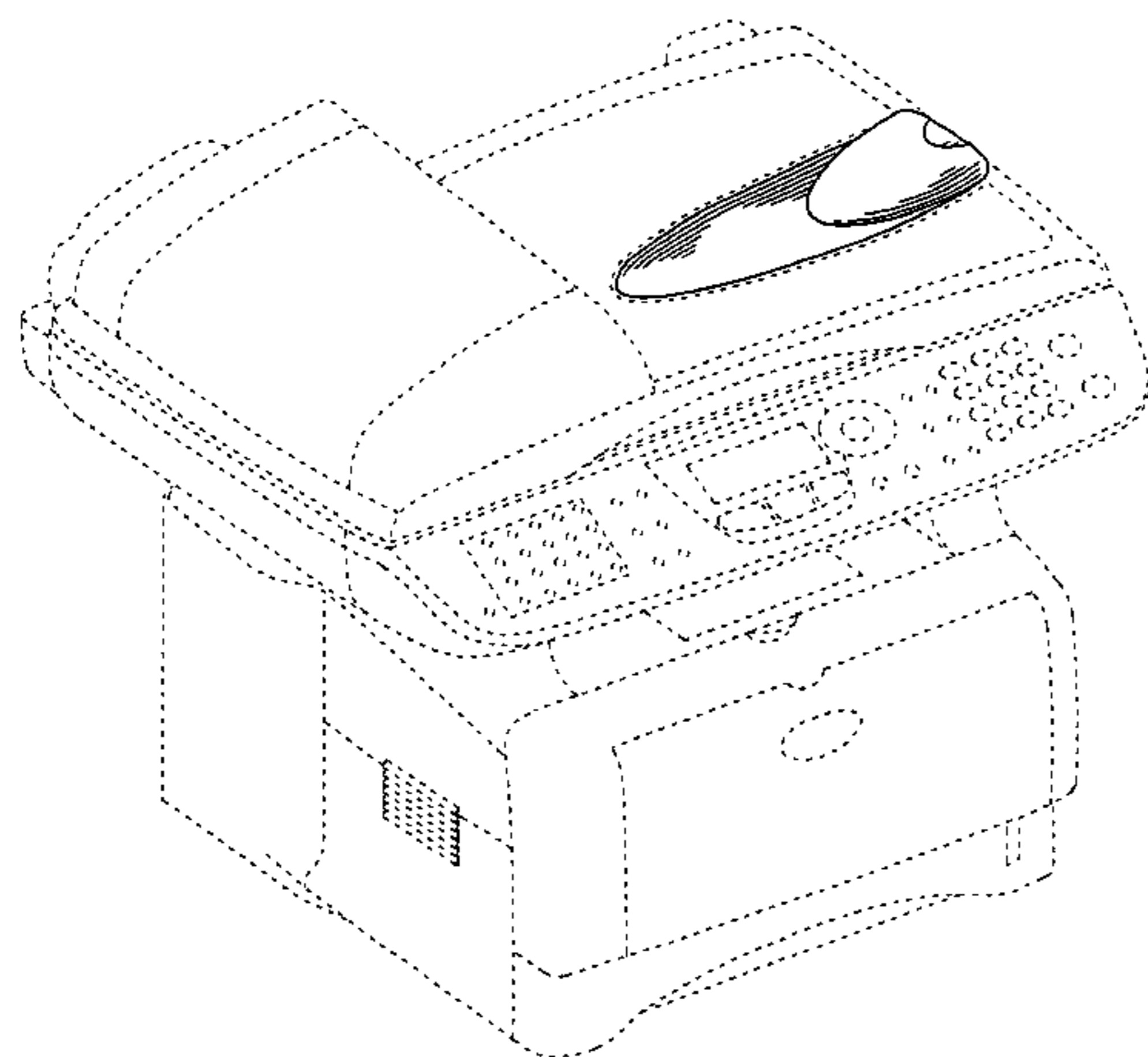
DESCRIPTION

FIG. 1 is a perspective view of a printer with copying and scanning functions with a document setting plate removed; FIG. 2 is a top view thereof; FIG. 3 is a cross-sectional view thereof taken on line 3—3 of FIG. 2; FIG. 4 is a perspective view thereof showing the document setting plate in place; FIG. 5 is a top view of FIG. 4; FIG. 6 is a front view of FIG. 4; FIG. 7 is a rear view of FIG. 4; FIG. 8 is a right side view of FIG. 4; FIG. 9 is a perspective view thereof with a projection in an open position and the document setting plate removed; FIG. 10 is a top view of FIG. 9; FIG. 11 is a cross-sectional view taken on line 11—11 of FIG. 10; FIG. 12 is a perspective view showing the document setting plate in place; FIG. 13 is a top view of FIG. 12; FIG. 14 is a front view of FIG. 12; FIG. 15 is a rear view of FIG. 12; and, FIG. 16 is a right side view of FIG. 12.

The left and bottom views contain no ornamentality and are omitted.

The broken lines are for illustrative purposes only and form no part of the claimed design.

1 Claim, 16 Drawing Sheets



US D523,068 S

Page 2

U.S. PATENT DOCUMENTS

D323,493 S * 1/1992 Ando D14/466
5,158,275 A 10/1992 Sellers et al.
5,208,612 A 5/1993 Obu et al.
D355,905 S * 2/1995 Takeuchi D14/462
D365,555 S * 12/1995 Fukutani et al. D14/466
5,509,529 A 4/1996 Kelley
5,515,153 A 5/1996 Tokunoh
D383,744 S * 9/1997 Matsushima et al. D14/463
5,839,025 A 11/1998 Okauchi et al.
D405,821 S * 2/1999 Ishikawa D18/53
D406,127 S * 2/1999 Ishio D14/466
5,975,957 A 11/1999 Noda et al.
6,026,258 A * 2/2000 Fresk et al. 399/1
6,057,936 A 5/2000 Obara et al.
6,321,063 B1 11/2001 Tanaka et al.
D457,180 S * 5/2002 Gotham et al. D14/421
6,400,914 B1 6/2002 Noda et al.
6,473,576 B1 10/2002 Koshimizu et al.

FOREIGN PATENT DOCUMENTS

JP A-10-301349 11/1998
JP A-11-43253 2/1999
JP A-11-122406 4/1999
JP A-11-174761 7/1999
JP A-11-255403 9/1999
JP A-2000-122362 4/2000
JP A-2000-131908 5/2000
JP A-2000-155452 6/2000
JP A-2001-053919 2/2001
JP A-2001-134030 5/2001
JP 3205734 B2 6/2001
JP A-2001-238014 8/2001
JP A-2001-345566 12/2001
JP A-2002-6571 1/2002
JP A-2002-14496 1/2002
JP 2002-62704 A 2/2002
JP A-2002-135471 5/2002
JP 2002-171372 A 6/2002
JP 2002-300369 A 10/2002

* cited by examiner

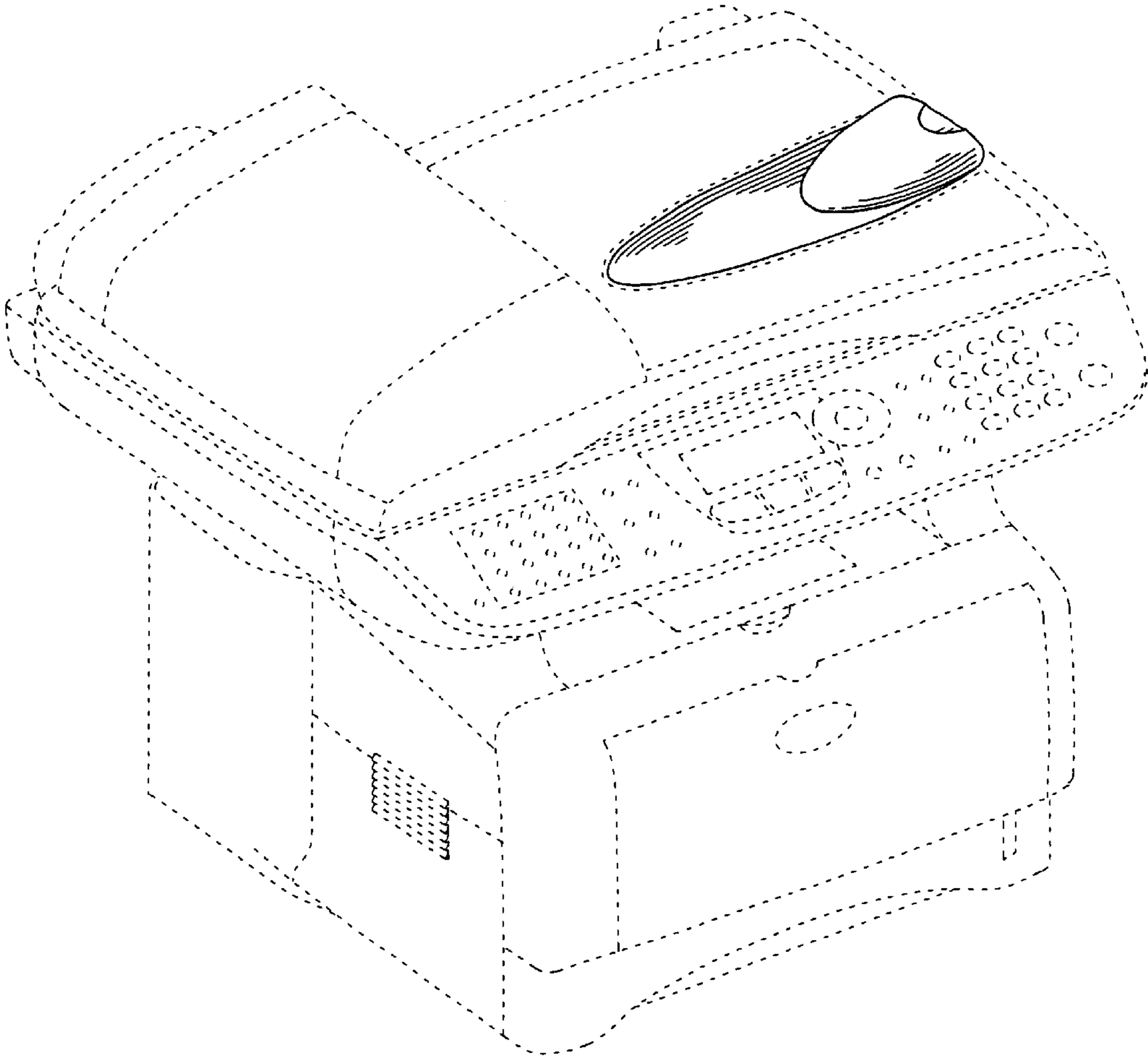


Fig. 1

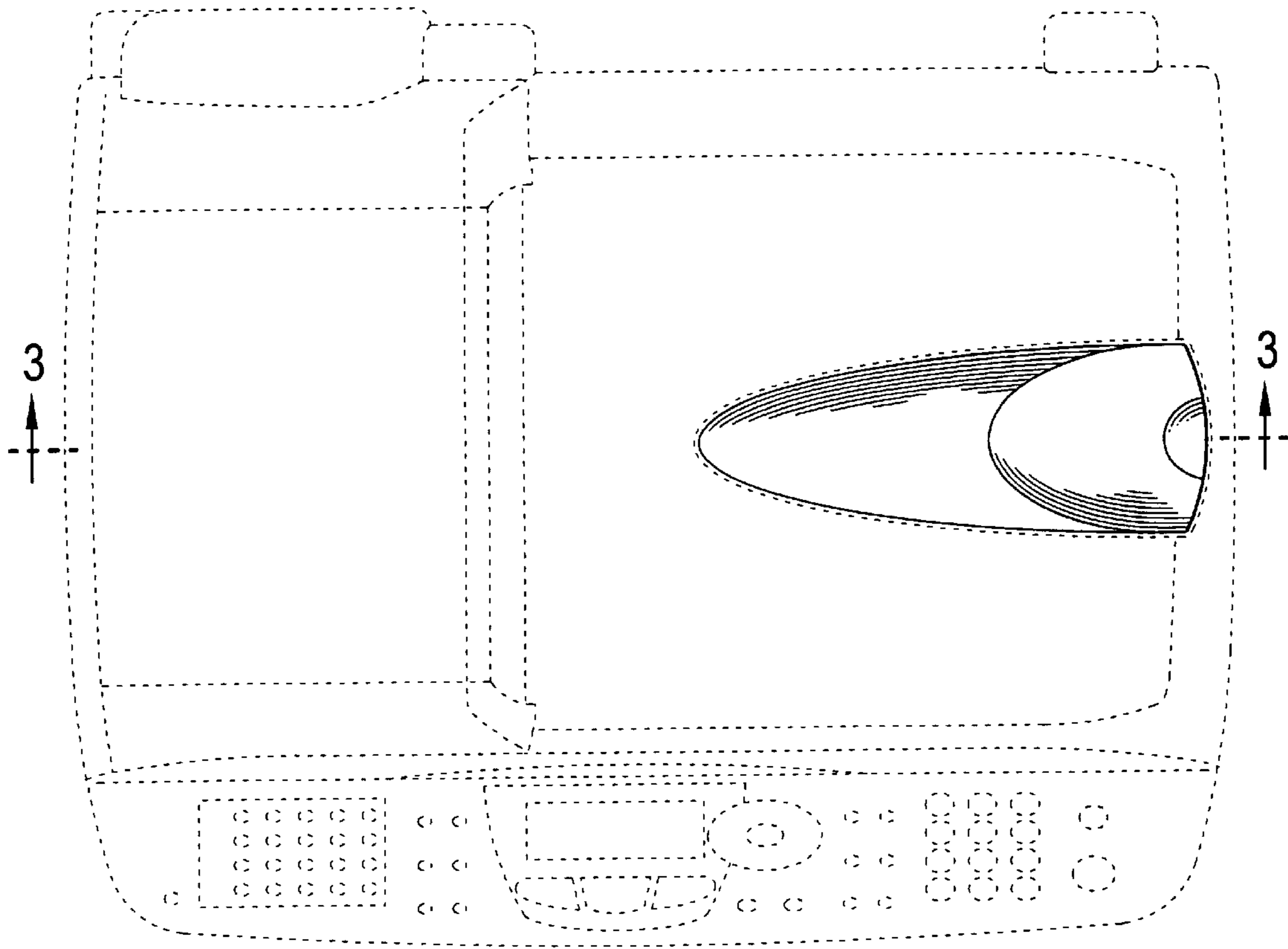


Fig. 2

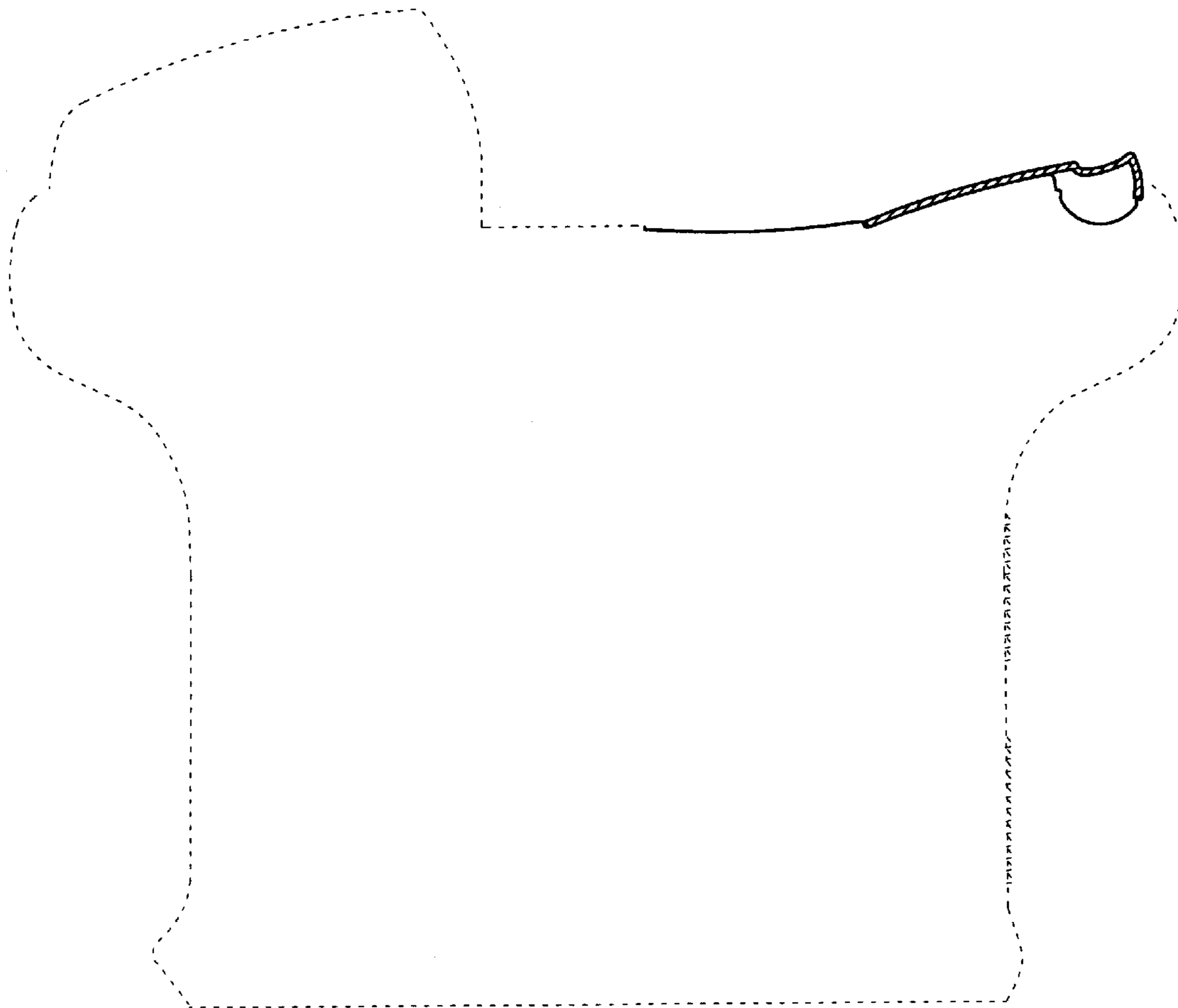


Fig. 3

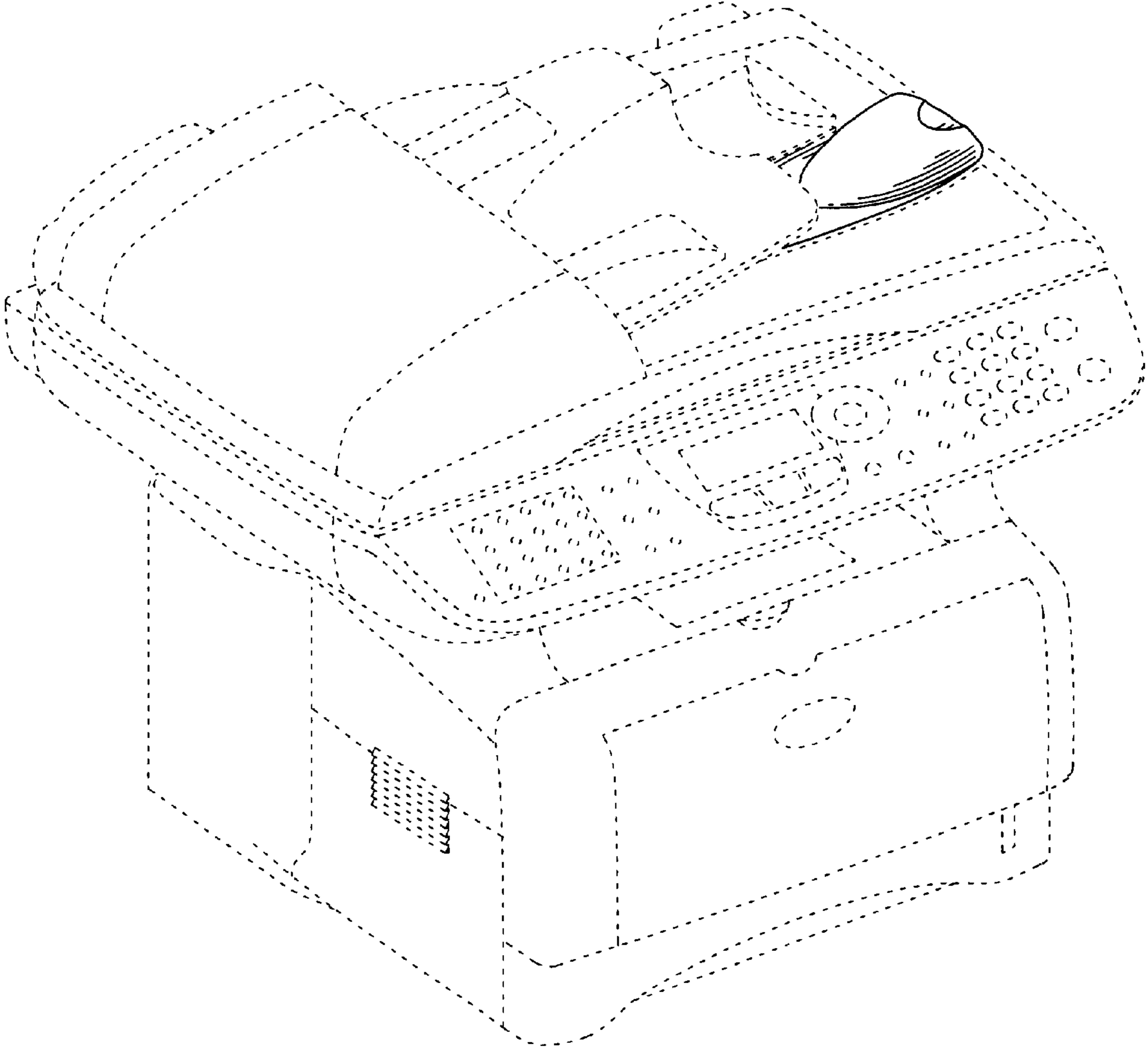


Fig. 4

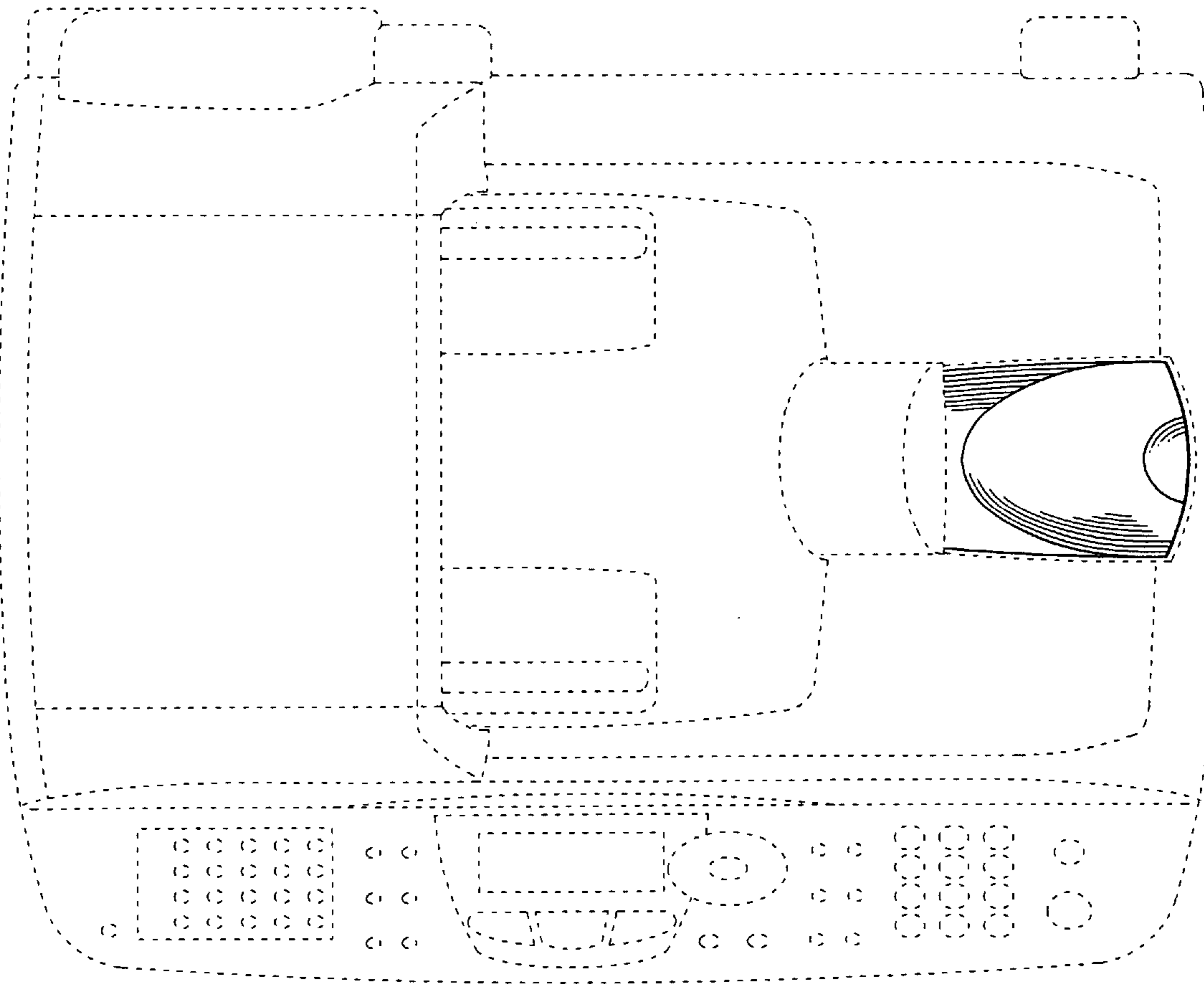


Fig. 5

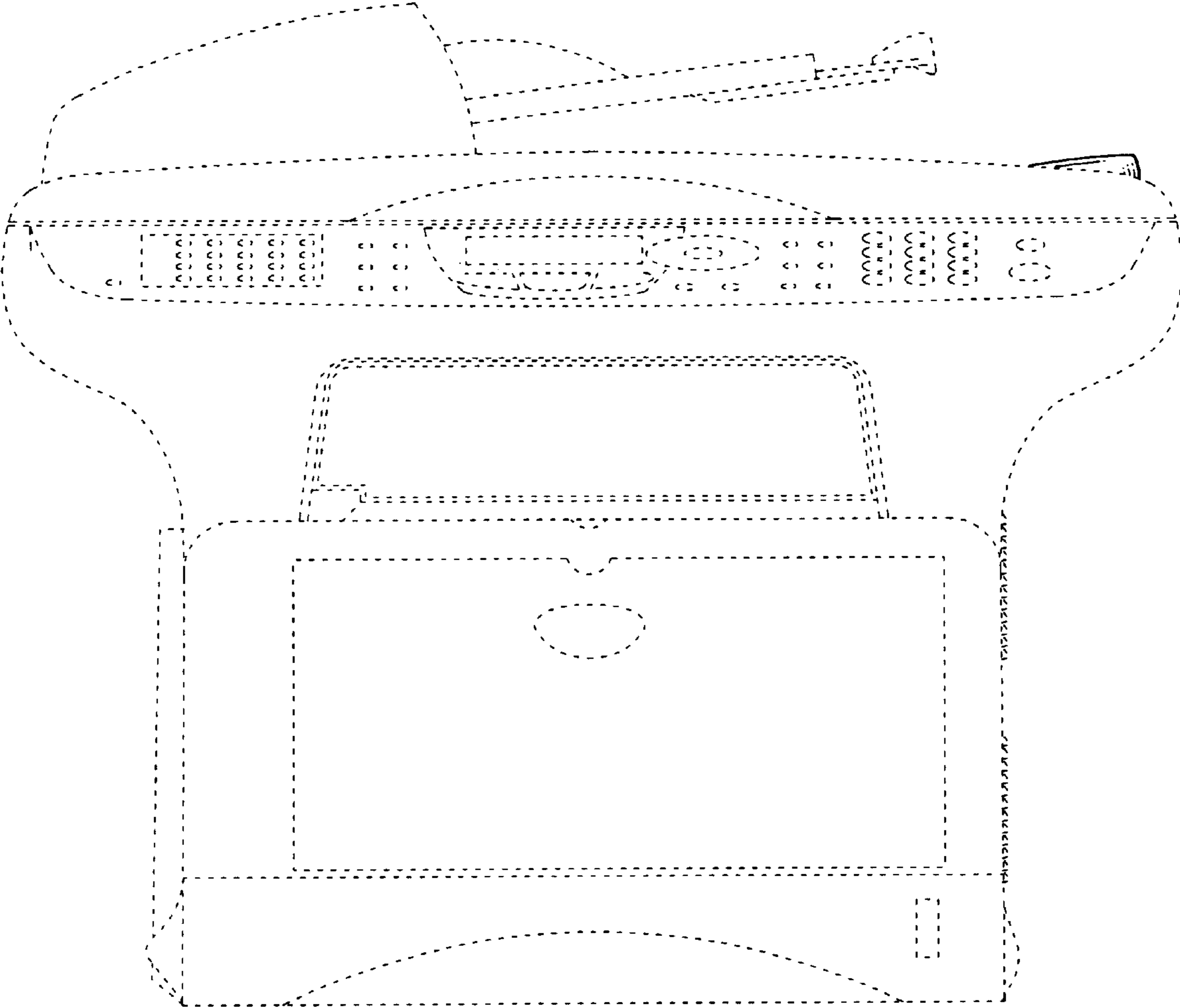


Fig. 6

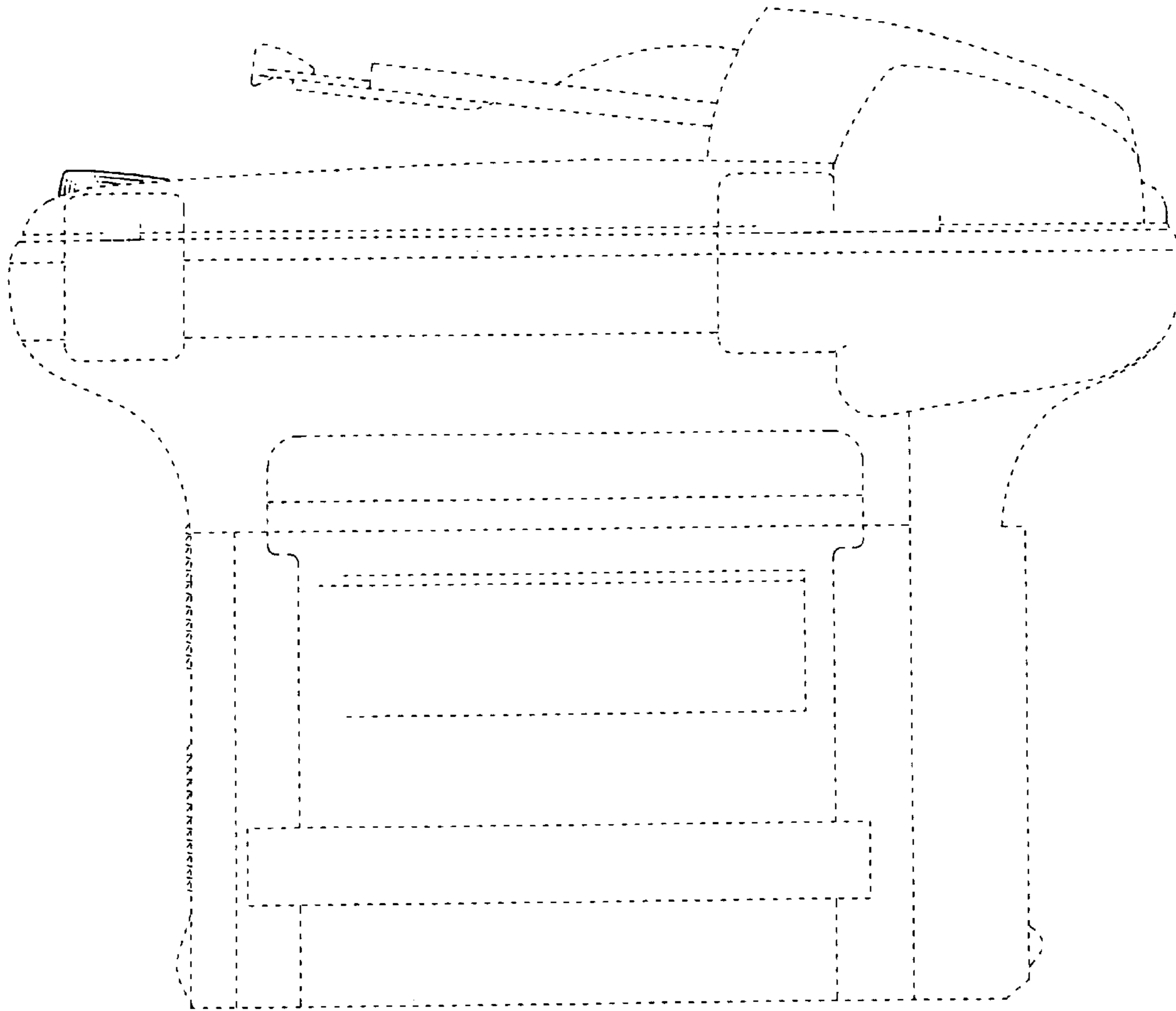


Fig. 7

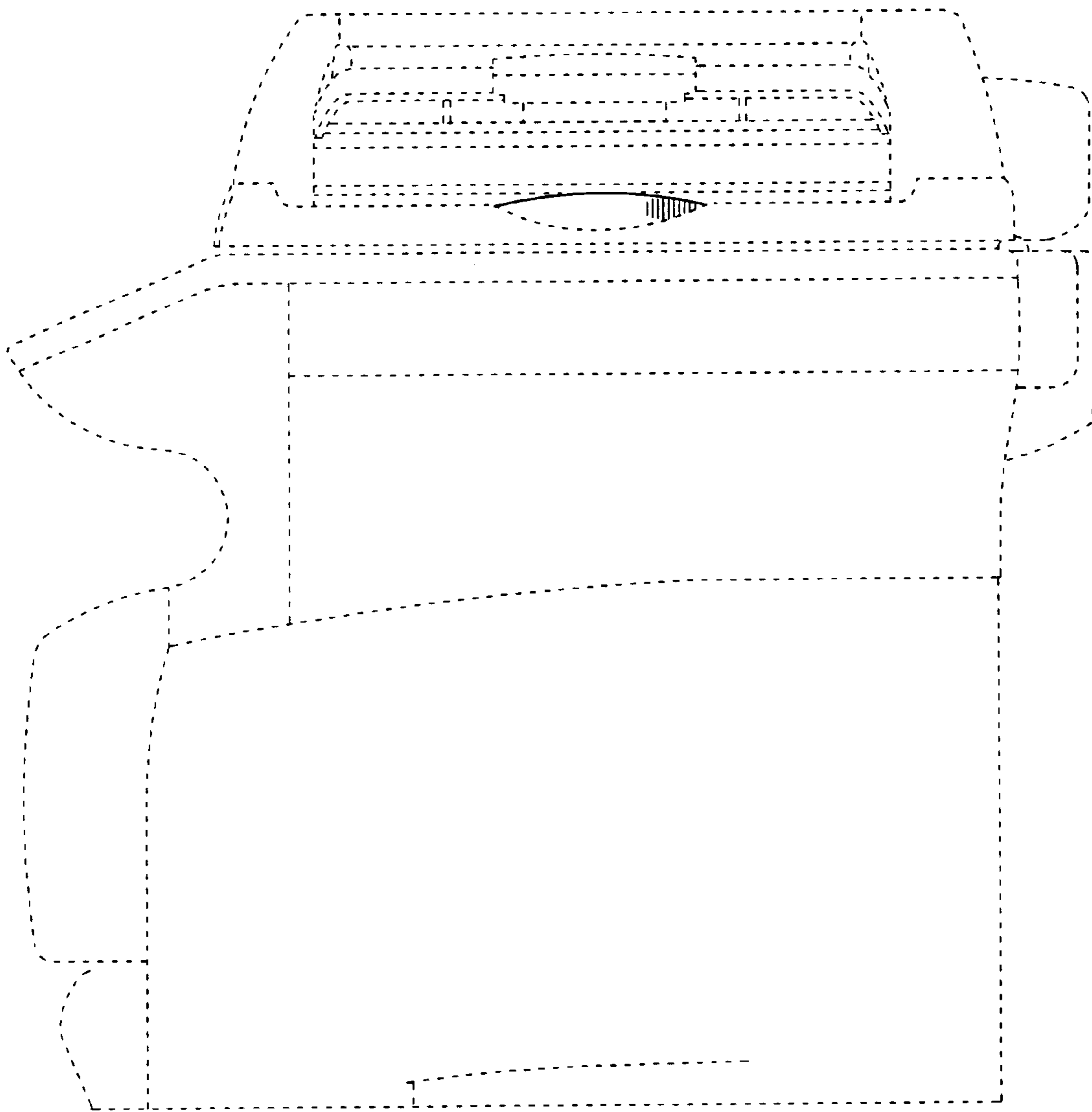


Fig. 8

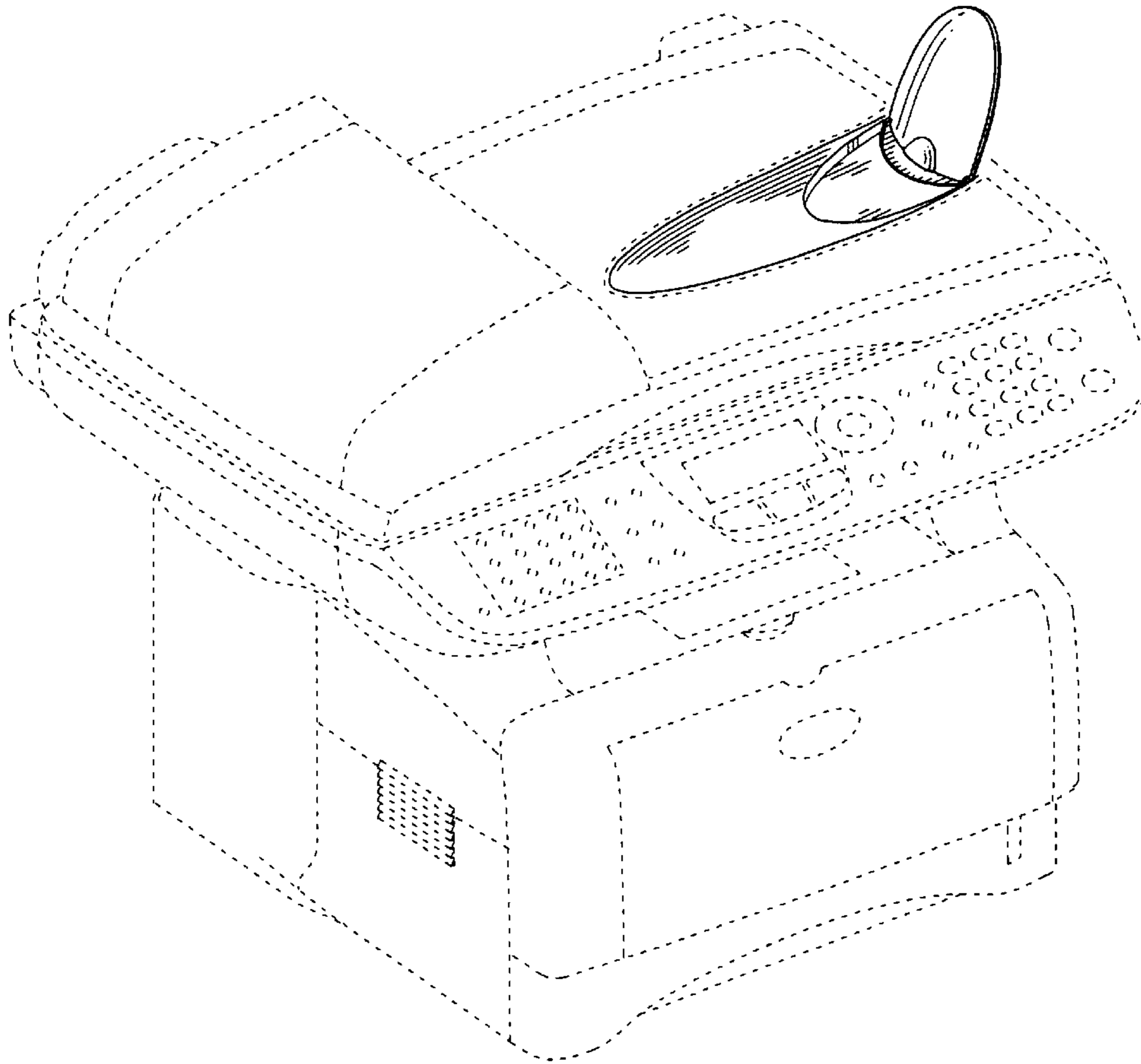


Fig. 9

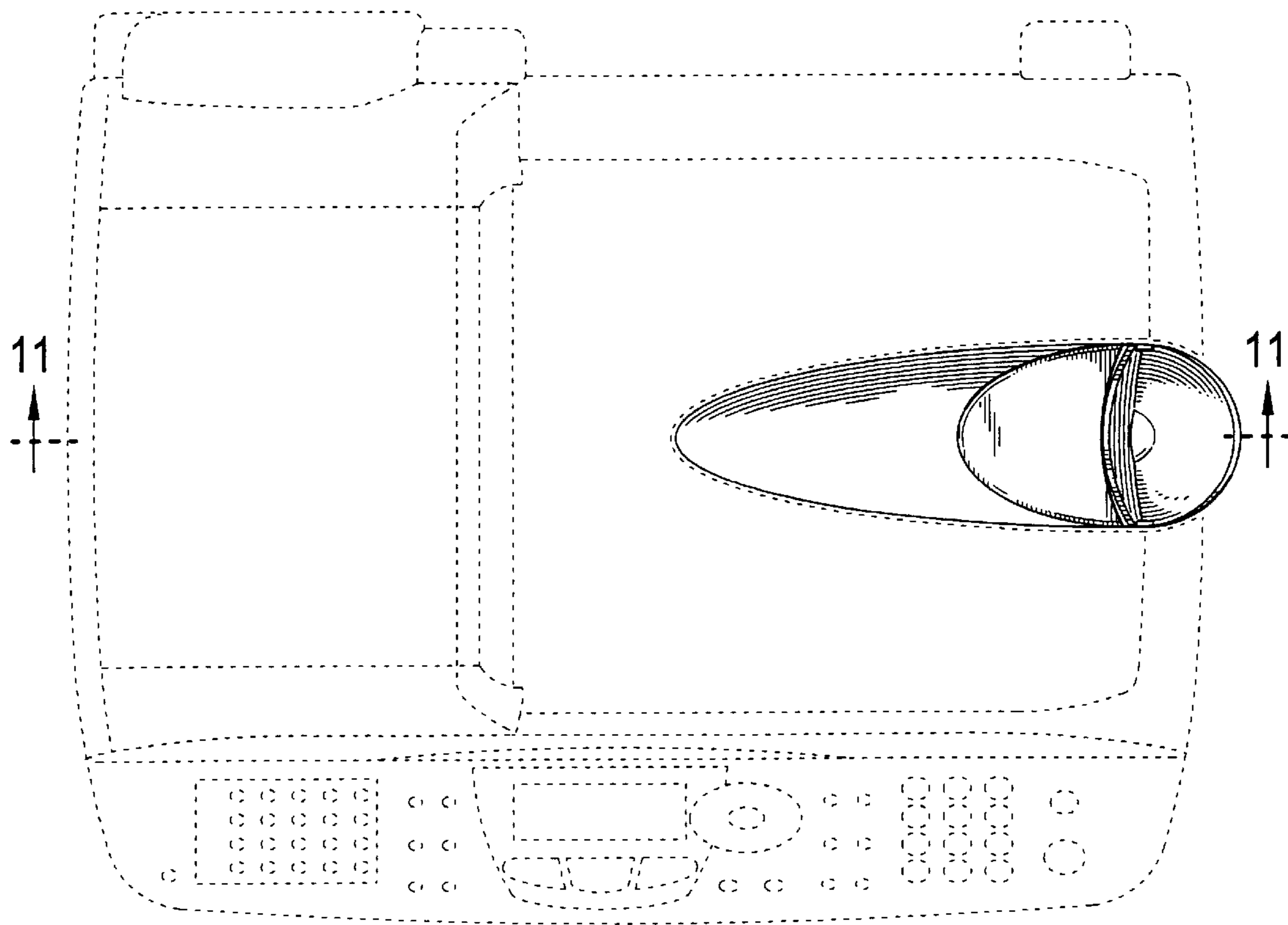


Fig. 10

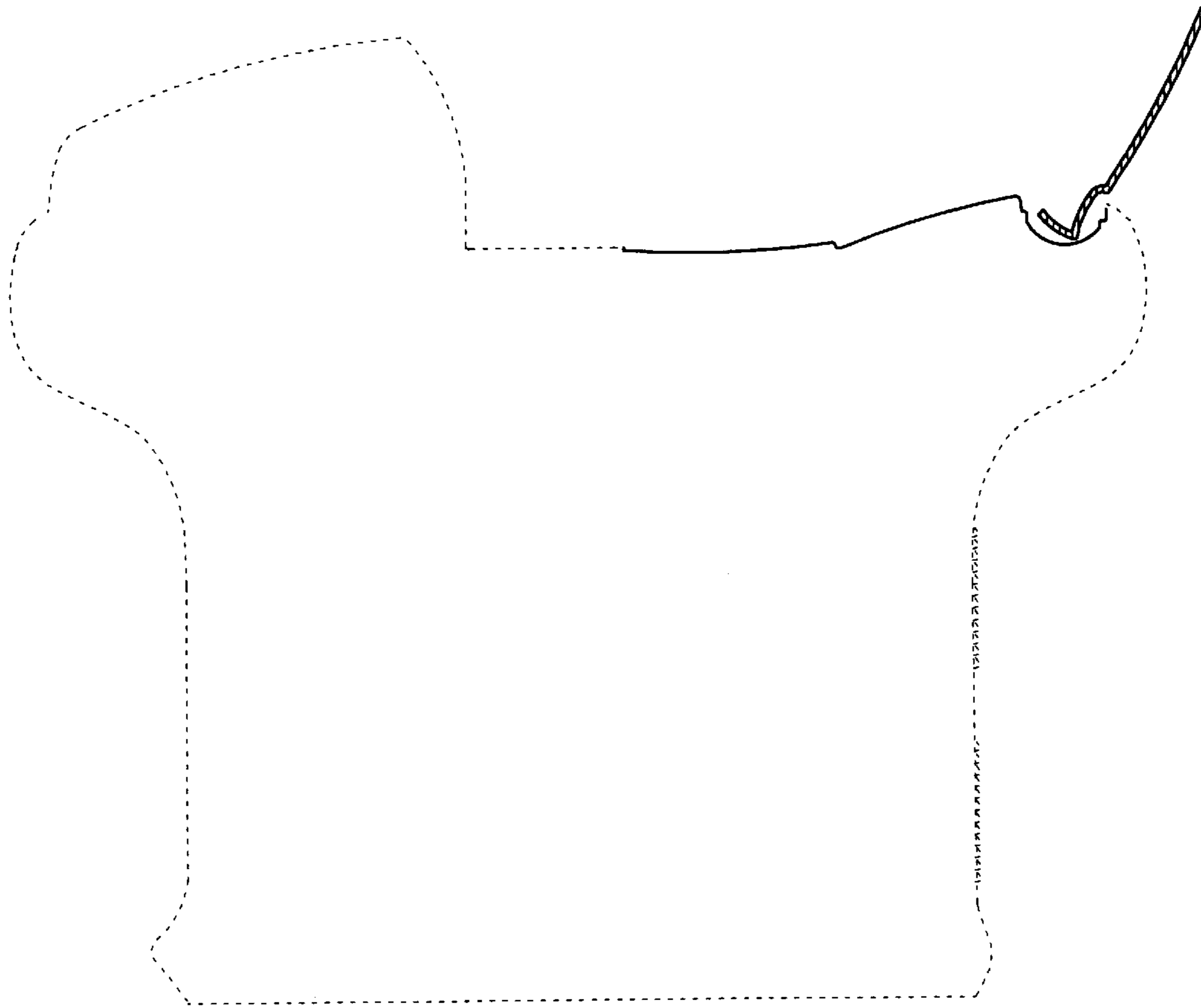


Fig. 11

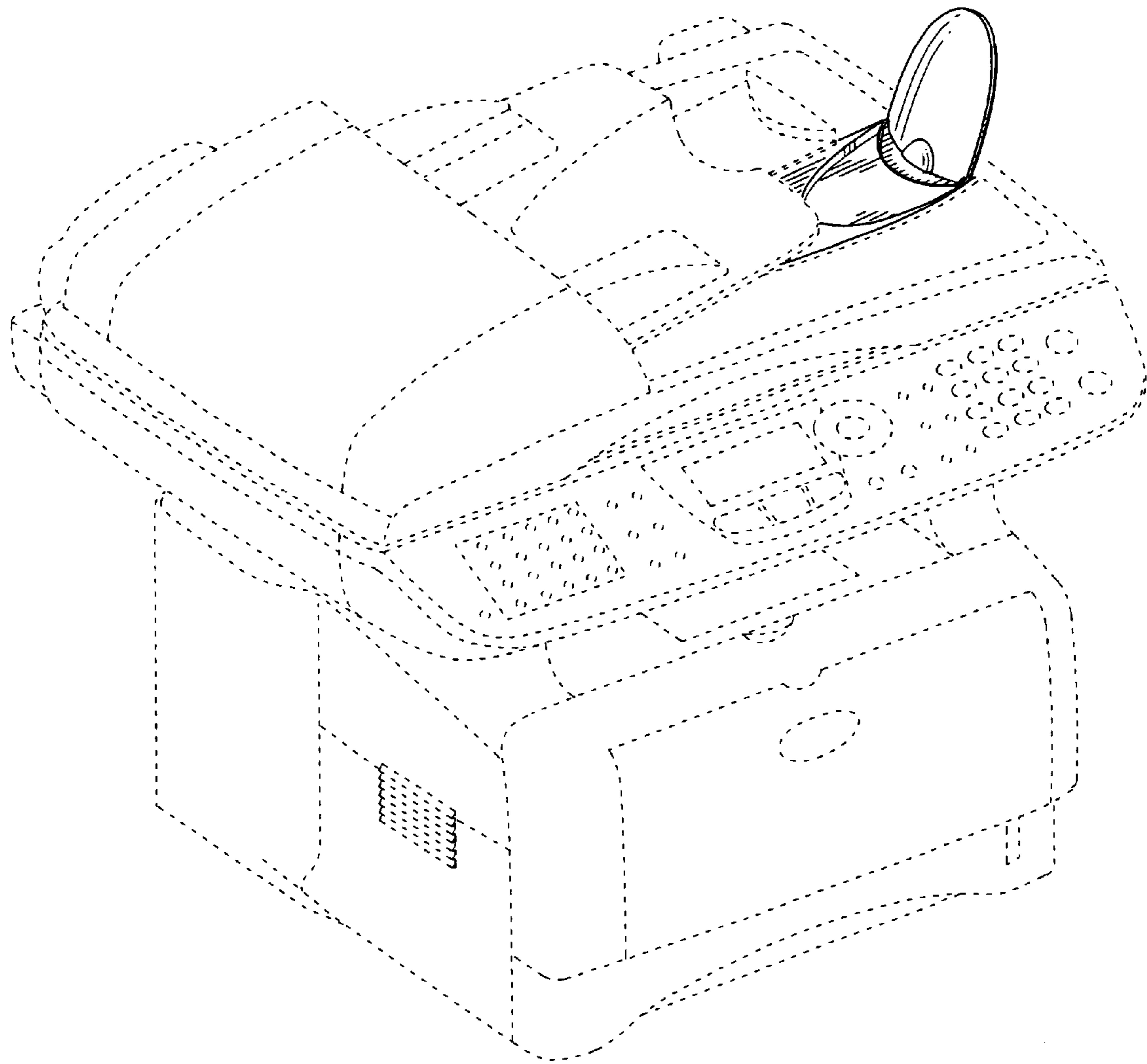


Fig. 12

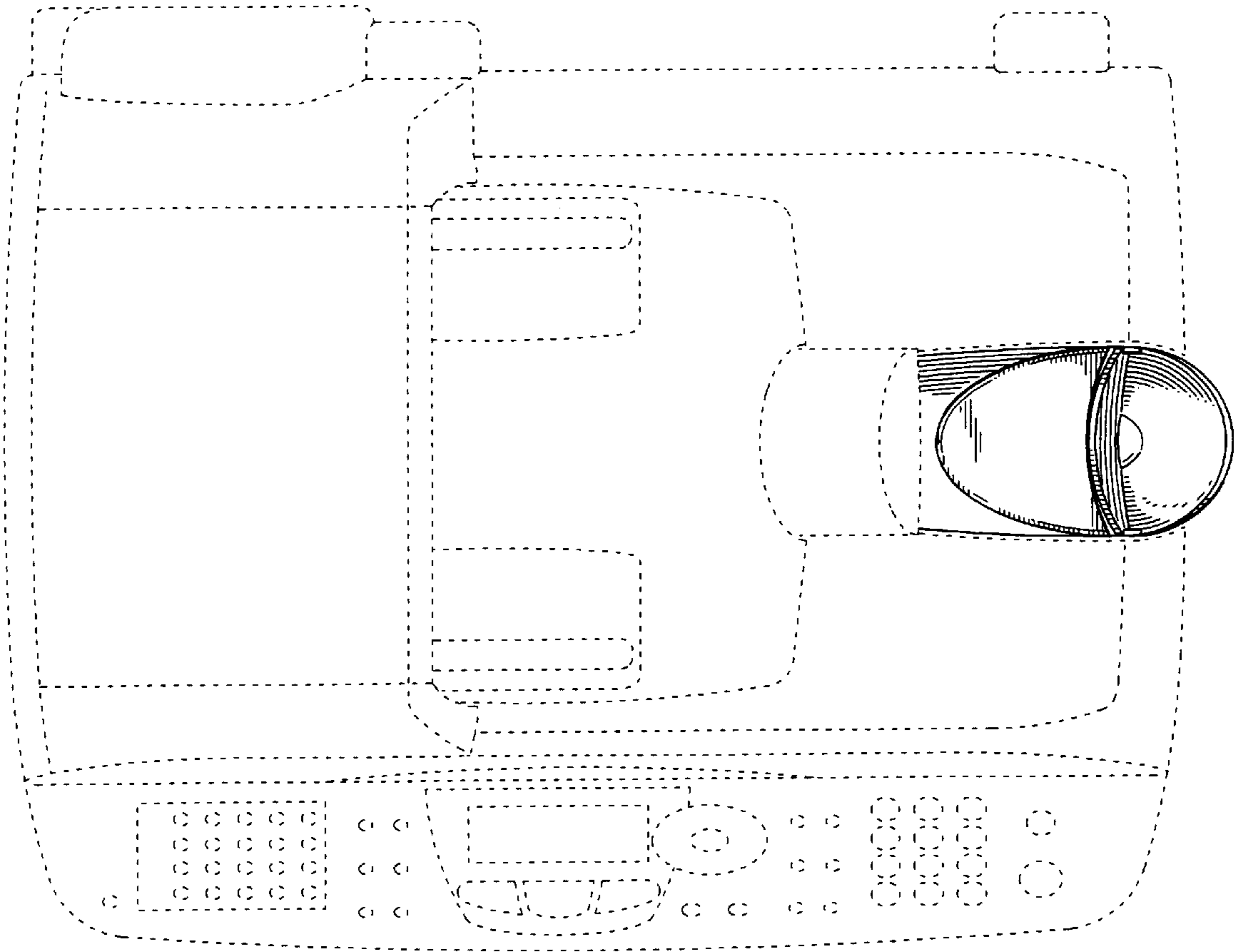


Fig. 13

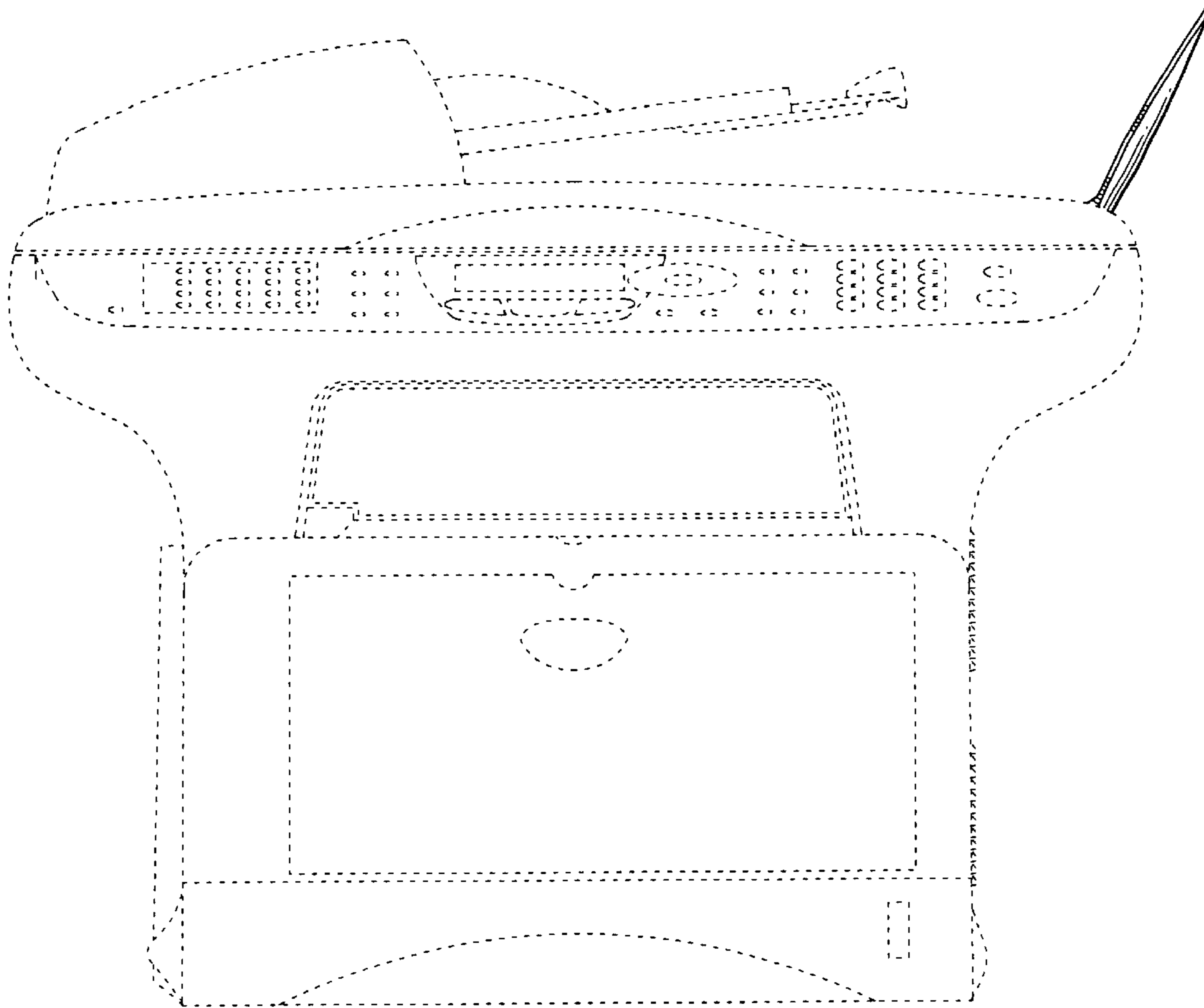


Fig. 14

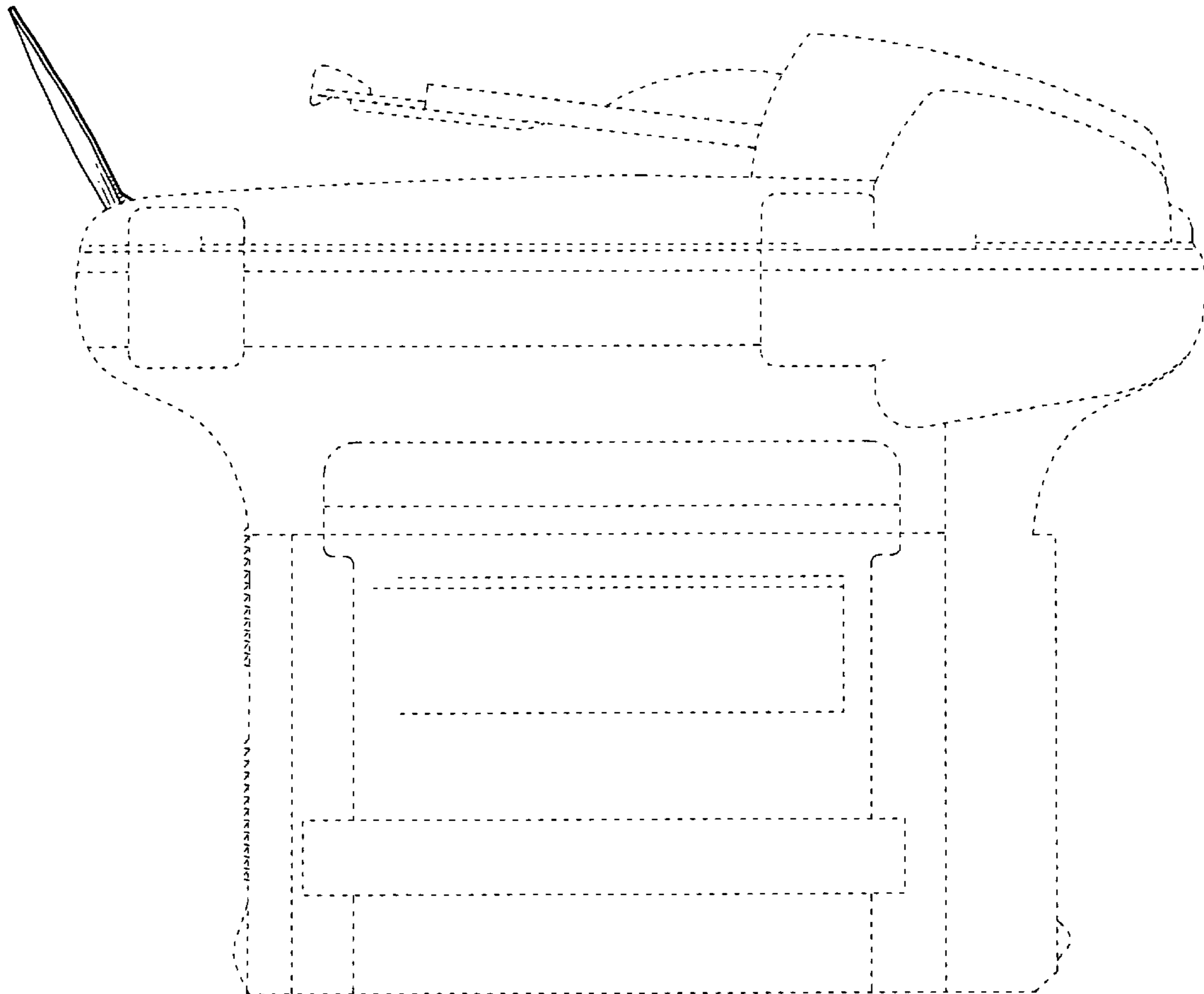


Fig. 15

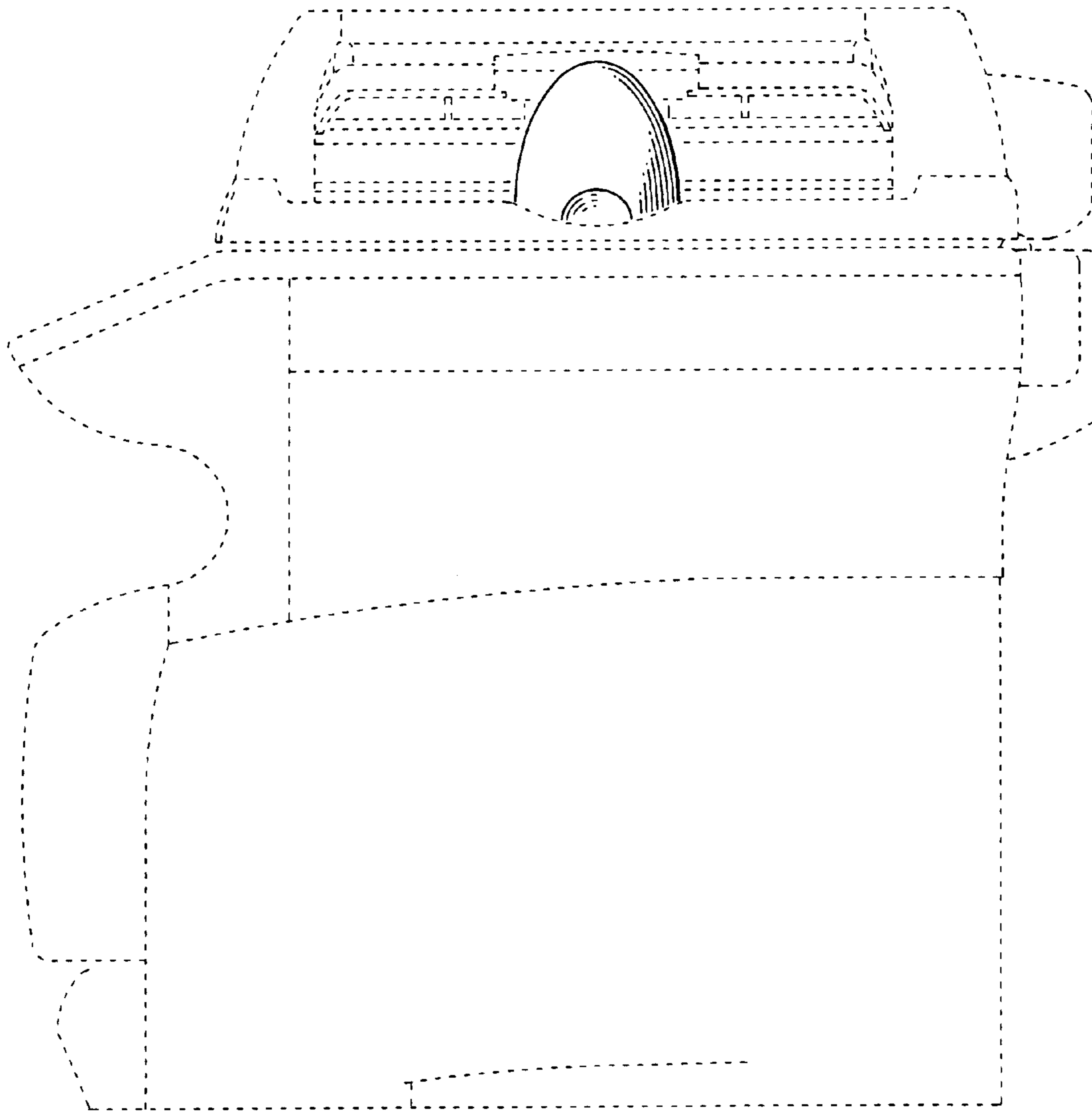


Fig. 16

UNITED STATES PATENT AND TRADEMARK OFFICE
CERTIFICATE OF CORRECTION

PATENT NO. : Des. 523,068 S
APPLICATION NO. : 29/185381
DATED : June 13, 2006
INVENTOR(S) : Kazuhiro Hoshiya et al.

Page 1 of 1

It is certified that error appears in the above-identified patent and that said Letters Patent is hereby corrected as shown below:

On The Title Page:

(63) Continuation-in-part of application No. 10/396,603, filed on Mar. 26, 2003.

Signed and Sealed this

Twelfth Day of September, 2006

A handwritten signature in black ink on a dotted background. The signature reads "Jon W. Dudas" in a cursive style.

JON W. DUDAS

Director of the United States Patent and Trademark Office