

US00D523067S

(12) **United States Design Patent**
Sato et al.

(10) **Patent No.:** **US D523,067 S**
(45) **Date of Patent:** **** Jun. 13, 2006**

(54) **TONER FIXING UNIT**
(75) Inventors: **Makoto Sato**, Nagano-ken (JP);
Kazutoshi Fujisawa, Nagano-ken (JP)
(73) Assignee: **Seiko Epson Corporation**, Tokyo (JP)
(**) Term: **14 Years**

D478,614 S * 8/2003 Numagami et al. D18/40
6,826,373 B1 * 11/2004 Nomura 399/111
6,950,618 B1 * 9/2005 Shimizu et al. 399/122
D510,594 S * 10/2005 Hirashima D18/56
6,970,668 B1 * 11/2005 Ueno et al. 399/109
2002/0028089 A1 * 3/2002 Yoneda et al. 399/122
2003/0086715 A1 * 5/2003 Miura et al. 399/27
2003/0215261 A1 * 11/2003 Karakama et al. 399/111

* cited by examiner

(21) Appl. No.: **29/219,459**
(22) Filed: **Dec. 17, 2004**

Primary Examiner—Cathron C. Brooks
Assistant Examiner—Garth Rademaker
(74) *Attorney, Agent, or Firm*—Stroock & Stroock & Lavan
LLP

(30) **Foreign Application Priority Data**

Jul. 7, 2004 (JP) 2004-020489

(51) **LOC (8) Cl.** **16-03**
(52) **U.S. Cl.** **D18/43**
(58) **Field of Classification Search** D18/12,
D18/36, 40, 43, 44, 56; D14/462, 469, 470,
D14/471; 222/DIG. 1; 347/197, 222; 399/24–28,
399/107–112, 119, 121, 122, 222–224; 400/207,
400/208

See application file for complete search history.

(57) **CLAIM**

The ornamental design for a toner fixing unit, as shown.

DESCRIPTION

FIG. 1 is a perspective view of a toner fixing unit showing our new design;
FIG. 2 is another perspective view thereof;
FIG. 3 is a front view thereof;
FIG. 4 is a rear view thereof;
FIG. 5 is a top plan view thereof;
FIG. 6 is a bottom plan view thereof;
FIG. 7 is a right side elevational view thereof; and,
FIG. 8 is a left side elevational view thereof.

(56) **References Cited**

U.S. PATENT DOCUMENTS

5,200,785 A * 4/1993 Hoover et al. 399/122
D408,444 S * 4/1999 Maeda D18/40
D451,125 S * 11/2001 Sugiyama et al. D18/40
6,587,660 B1 * 7/2003 Ueno et al. 399/119

1 Claim, 4 Drawing Sheets

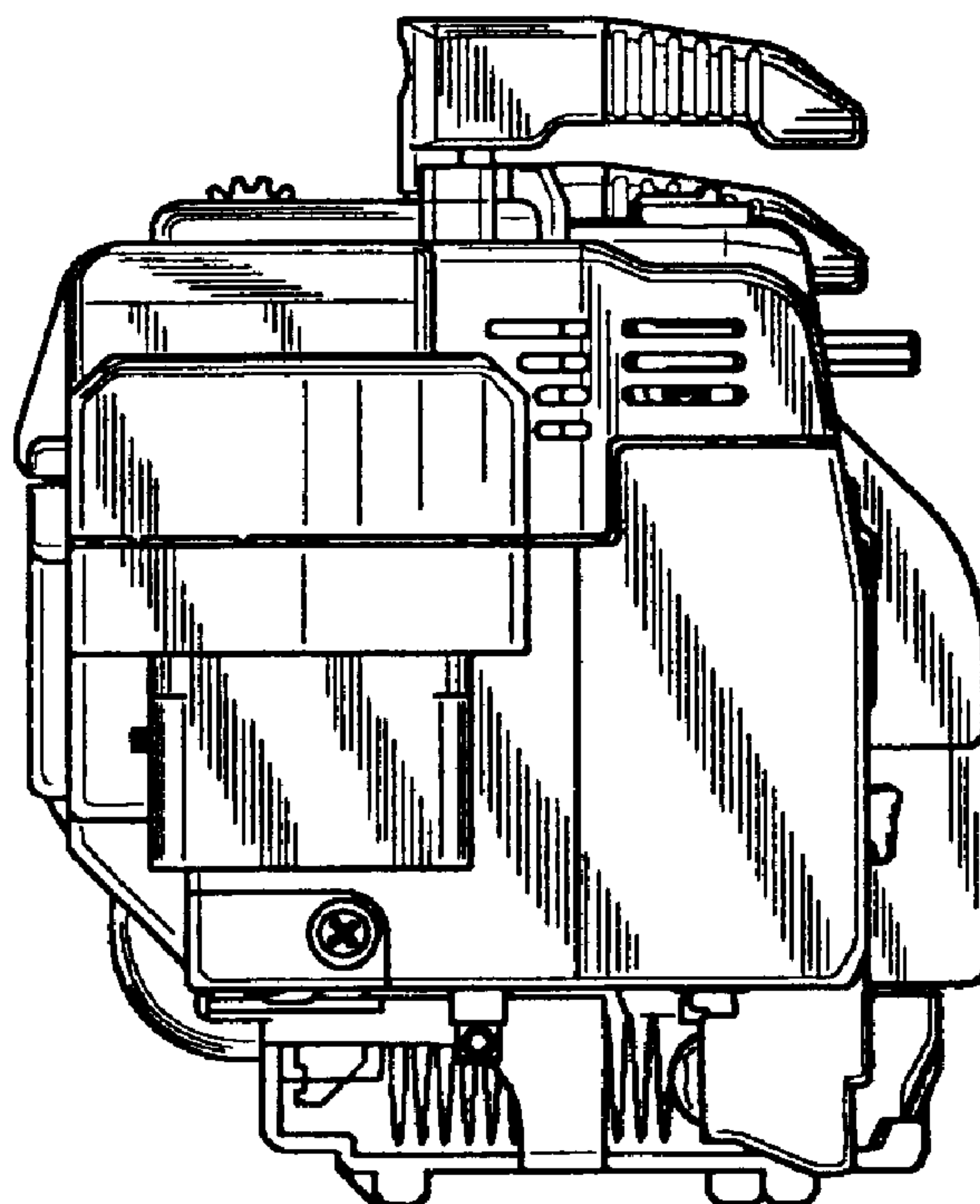


FIG. 1

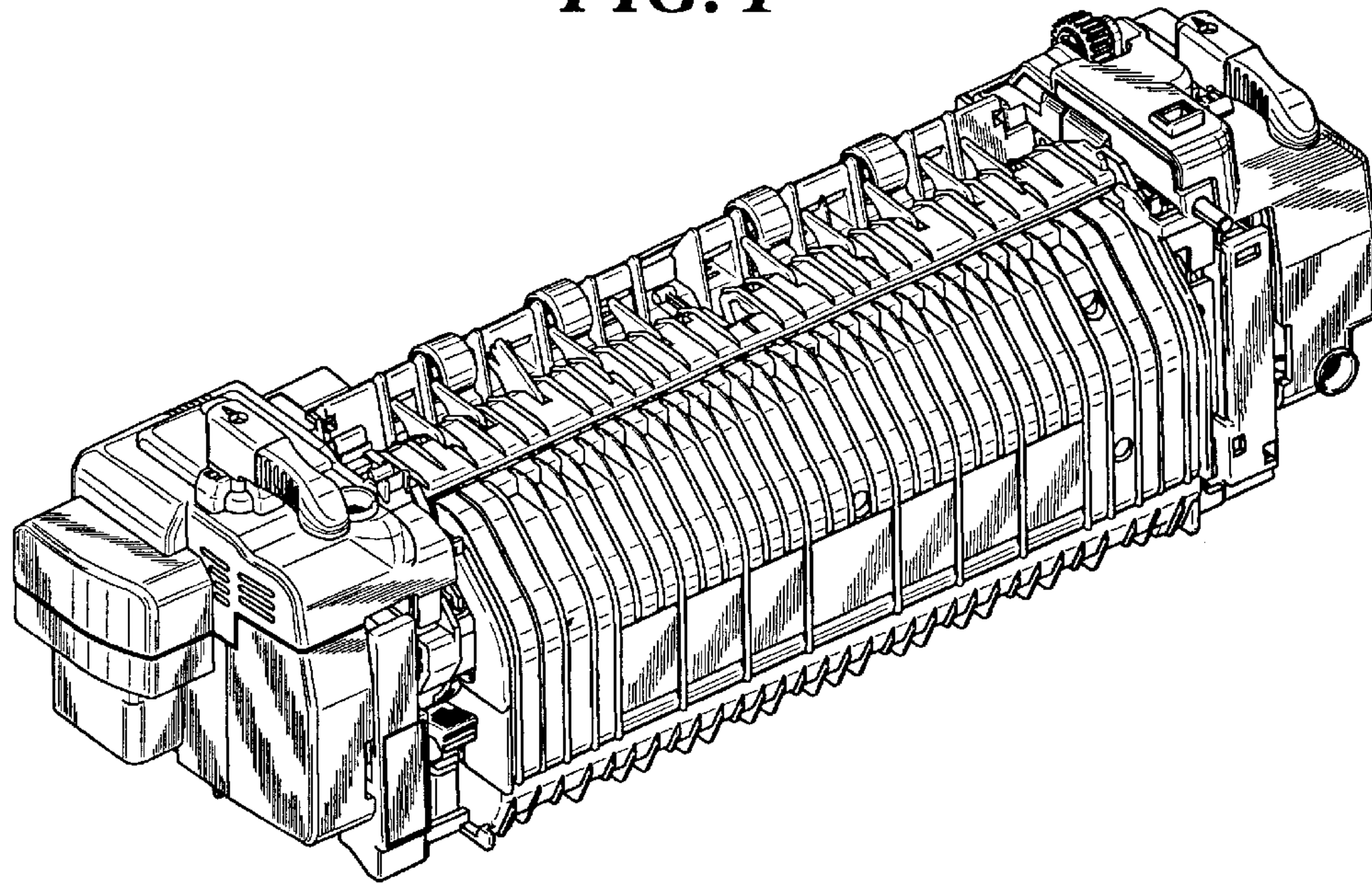


FIG. 2

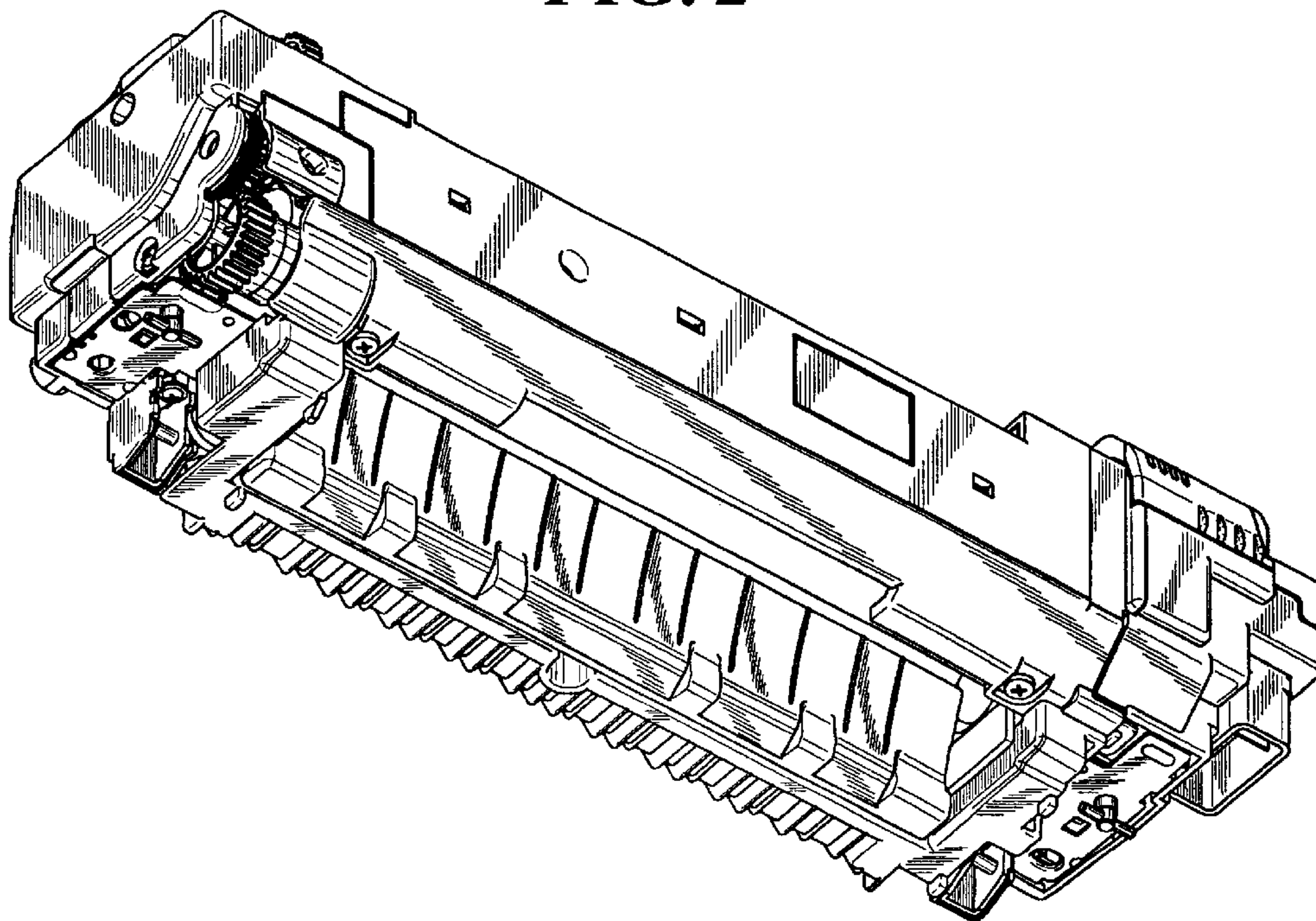


FIG. 3

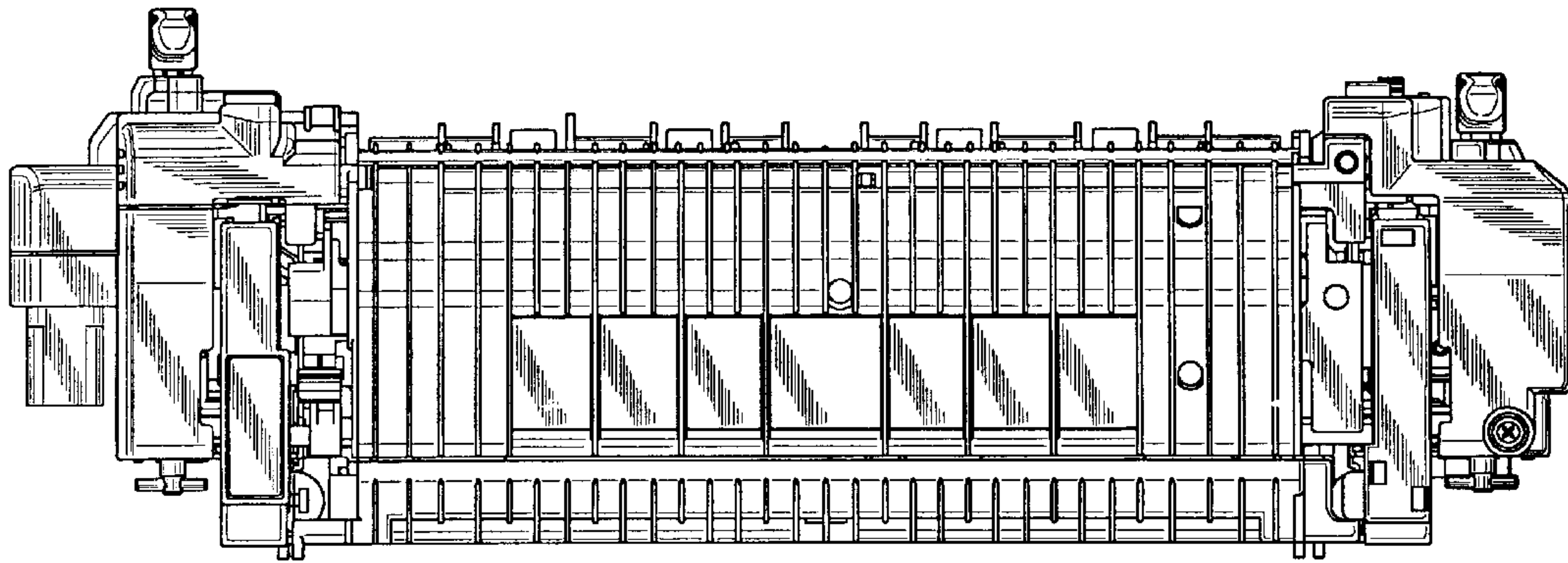


FIG. 4

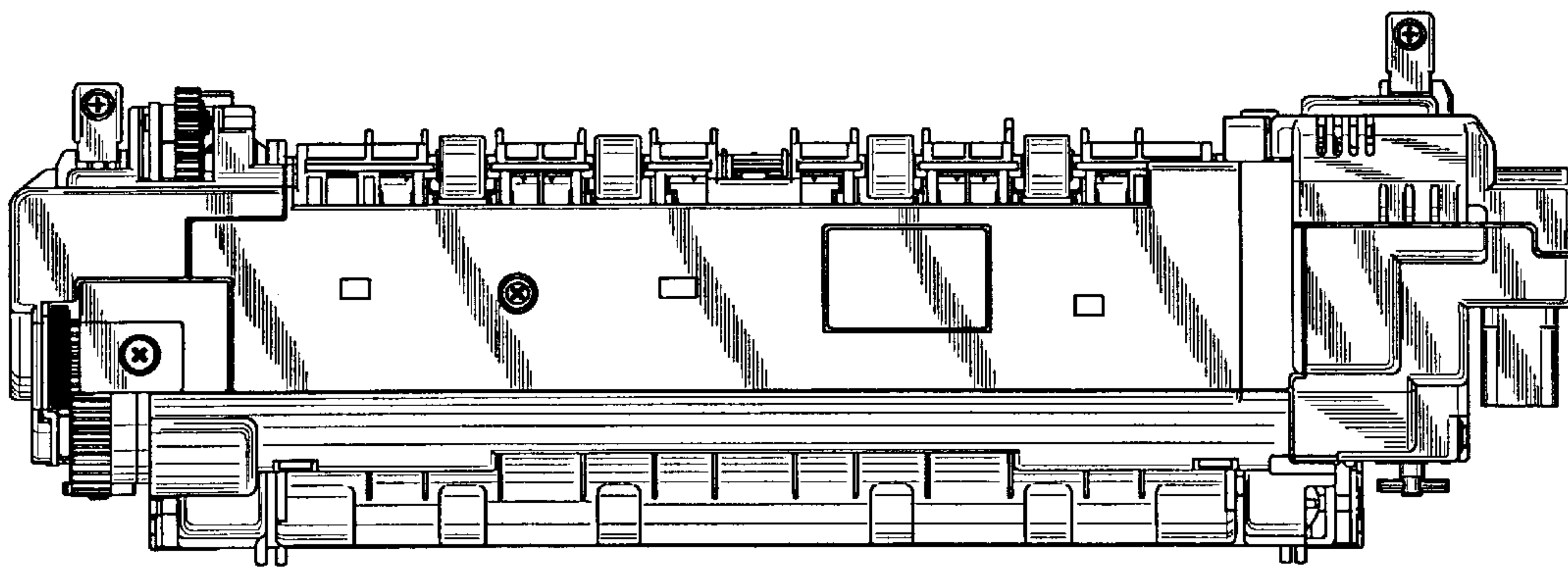


FIG. 5

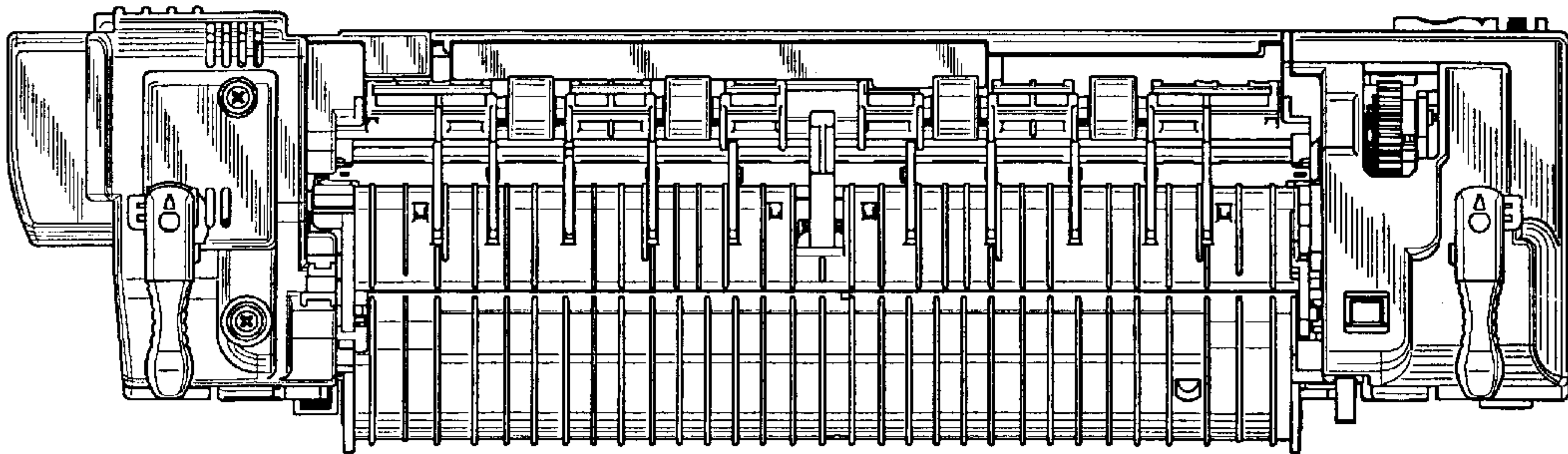


FIG. 6

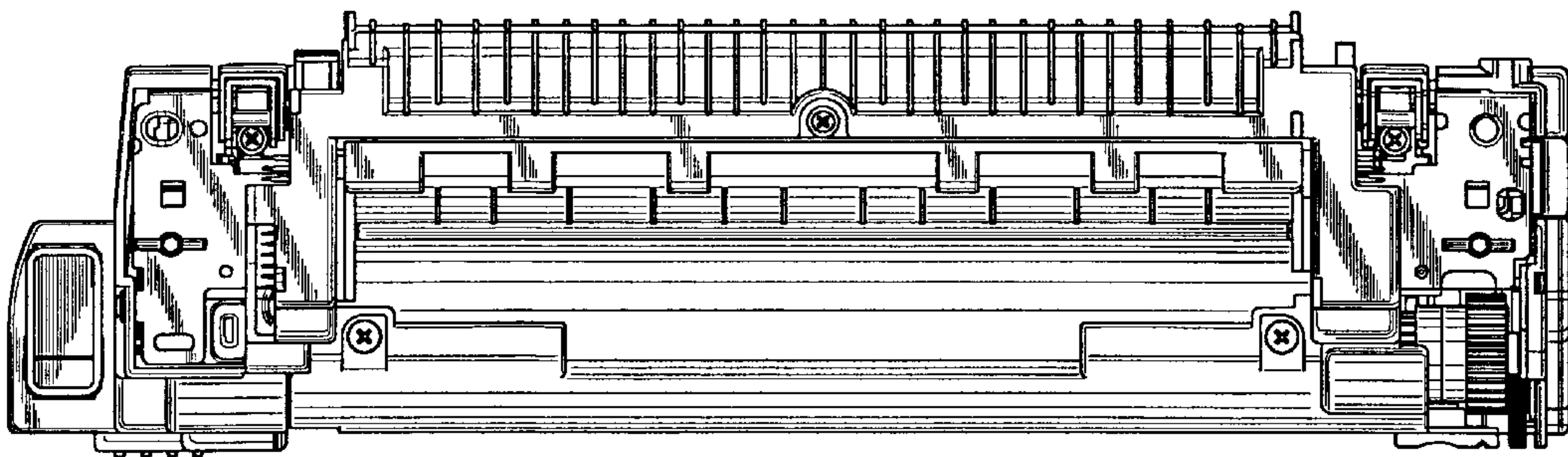


FIG. 7

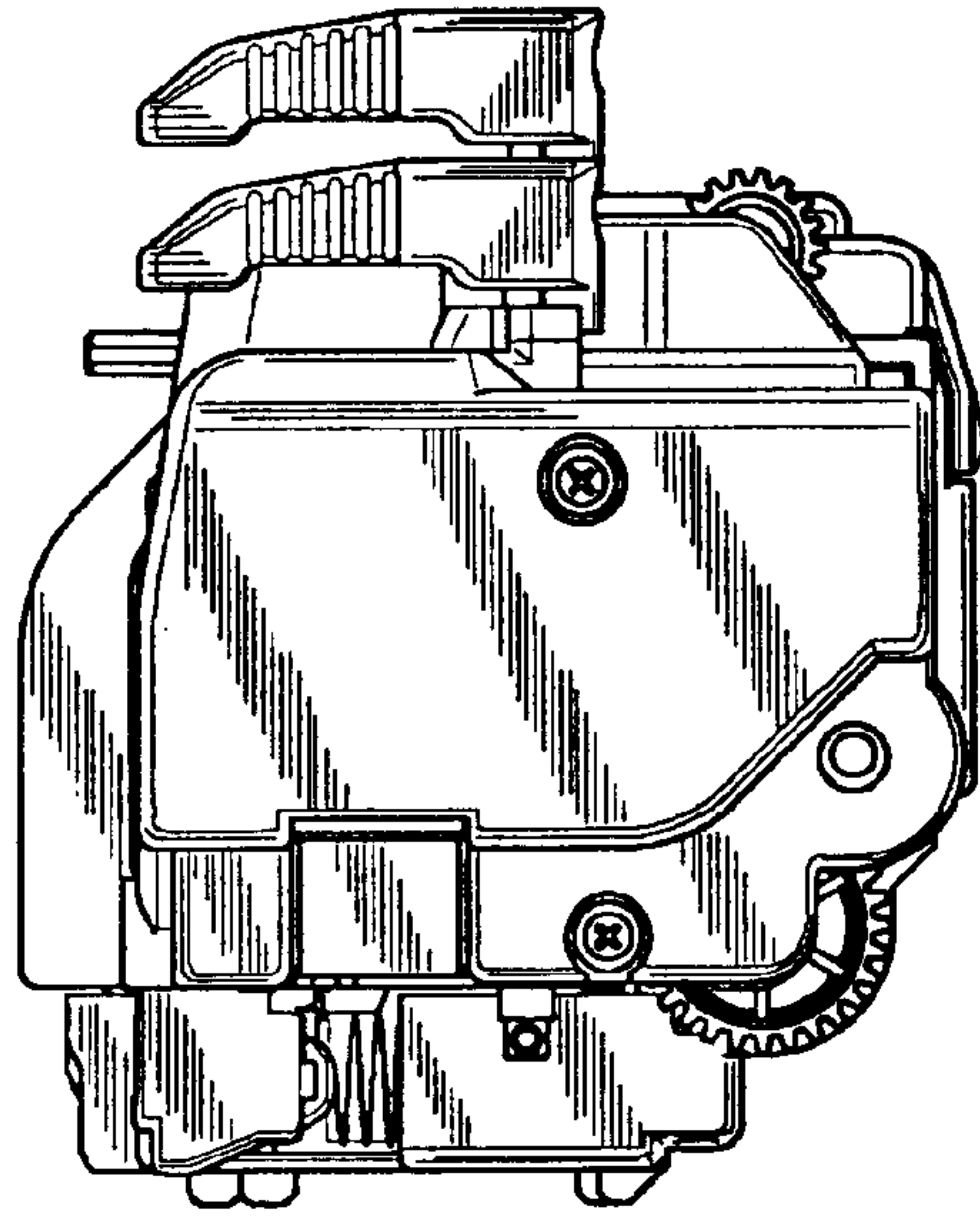


FIG. 8

