



US00D523057S

(12) **United States Design Patent**  
**Watanabe**

(10) **Patent No.:** **US D523,057 S**  
(45) **Date of Patent:** **\*\* Jun. 13, 2006**

(54) **CONVERSION LENS FOR SINGLE-LENS REFLEX CAMERA**

(75) Inventor: **Akira Watanabe**, Saitama (JP)

(73) Assignee: **PENTAX Corporation**, Tokyo (JP)

(\*\*) Term: **14 Years**

(21) Appl. No.: **29/224,474**

(22) Filed: **Mar. 3, 2005**

(30) **Foreign Application Priority Data**

Sep. 8, 2004 (JP) ..... 2004-027271

(51) **LOC (8) Cl.** ..... **16-05**

(52) **U.S. Cl.** ..... **D16/219; D16/134**

(58) **Field of Classification Search** ..... D16/134,  
D16/136, 200, 202, 203, 204, 217, 218, 219;  
348/373-375; 358/909.1; 359/811, 815, 819,  
359/826, 827, 828; 396/529-532, 535, 540,  
396/541, 544

See application file for complete search history.

(56) **References Cited**

**U.S. PATENT DOCUMENTS**

D119,256 S \* 3/1940 Darling ..... D16/219  
D183,254 S \* 7/1958 Gebels ..... D16/134

4,390,263 A \* 6/1983 Sumita ..... 396/529  
4,448,509 A \* 5/1984 Katsuma et al. .... 396/532  
4,457,609 A \* 7/1984 Tomino et al. .... 396/532  
4,747,669 A \* 5/1988 Yamada et al. .... 359/826  
6,369,960 B1 \* 4/2002 Azegami ..... 359/819

\* cited by examiner

*Primary Examiner*—Adir Aronovich

(74) *Attorney, Agent, or Firm*—Sughrue Mion, PLLC

(57) **CLAIM**

The ornamental design for a conversion lens for single-lens reflex camera, as shown and described.

**DESCRIPTION**

FIG. 1 is a perspective view of the rear, top and right side of a conversion lens for single-lens reflex camera showing my new design;

FIG. 2 is a front elevational view thereof;

FIG. 3 is a rear elevational view thereof;

FIG. 4 is a left side elevational view thereof;

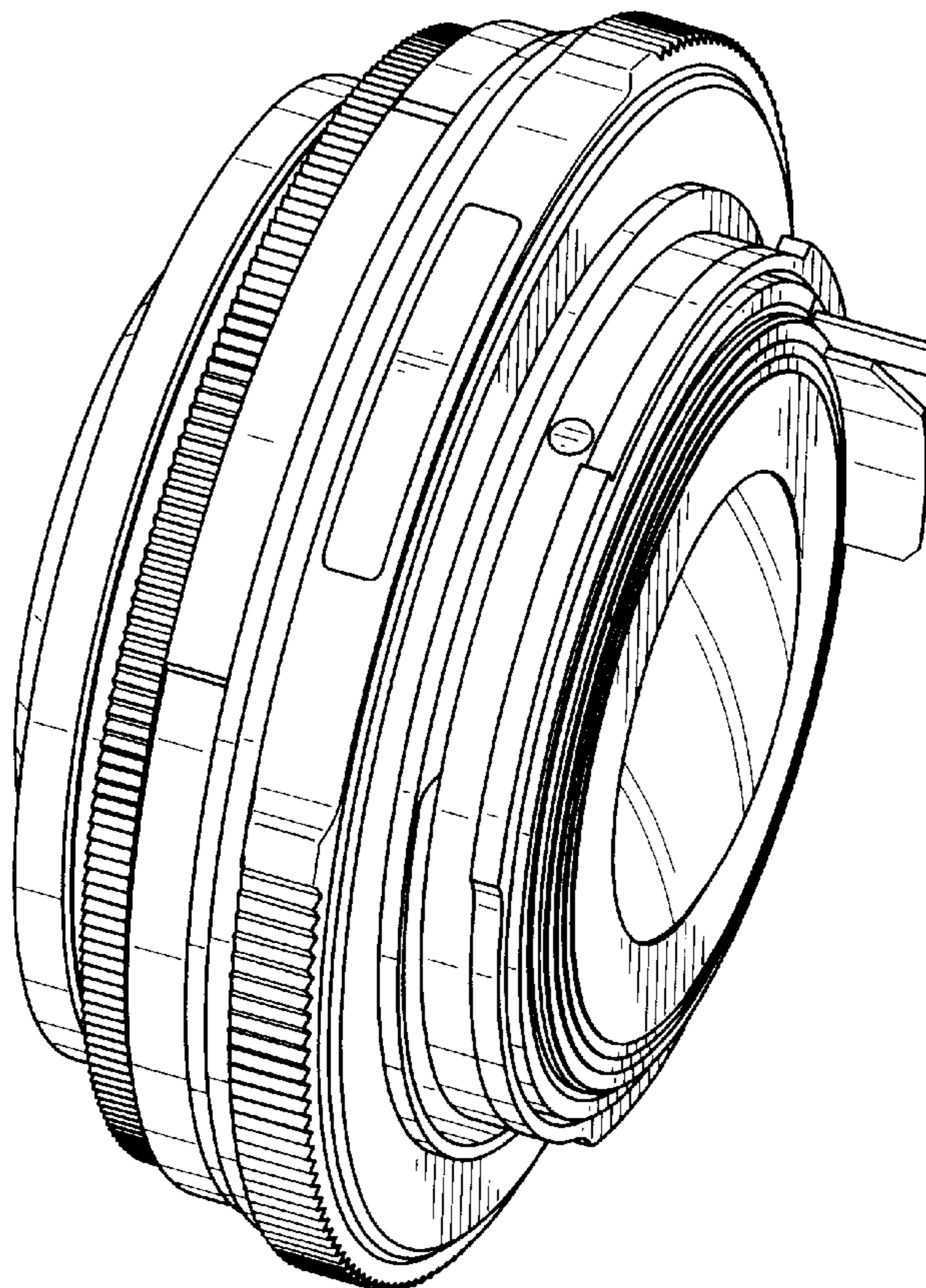
FIG. 5 is a right side elevational view thereof;

FIG. 6 is a top plan view thereof;

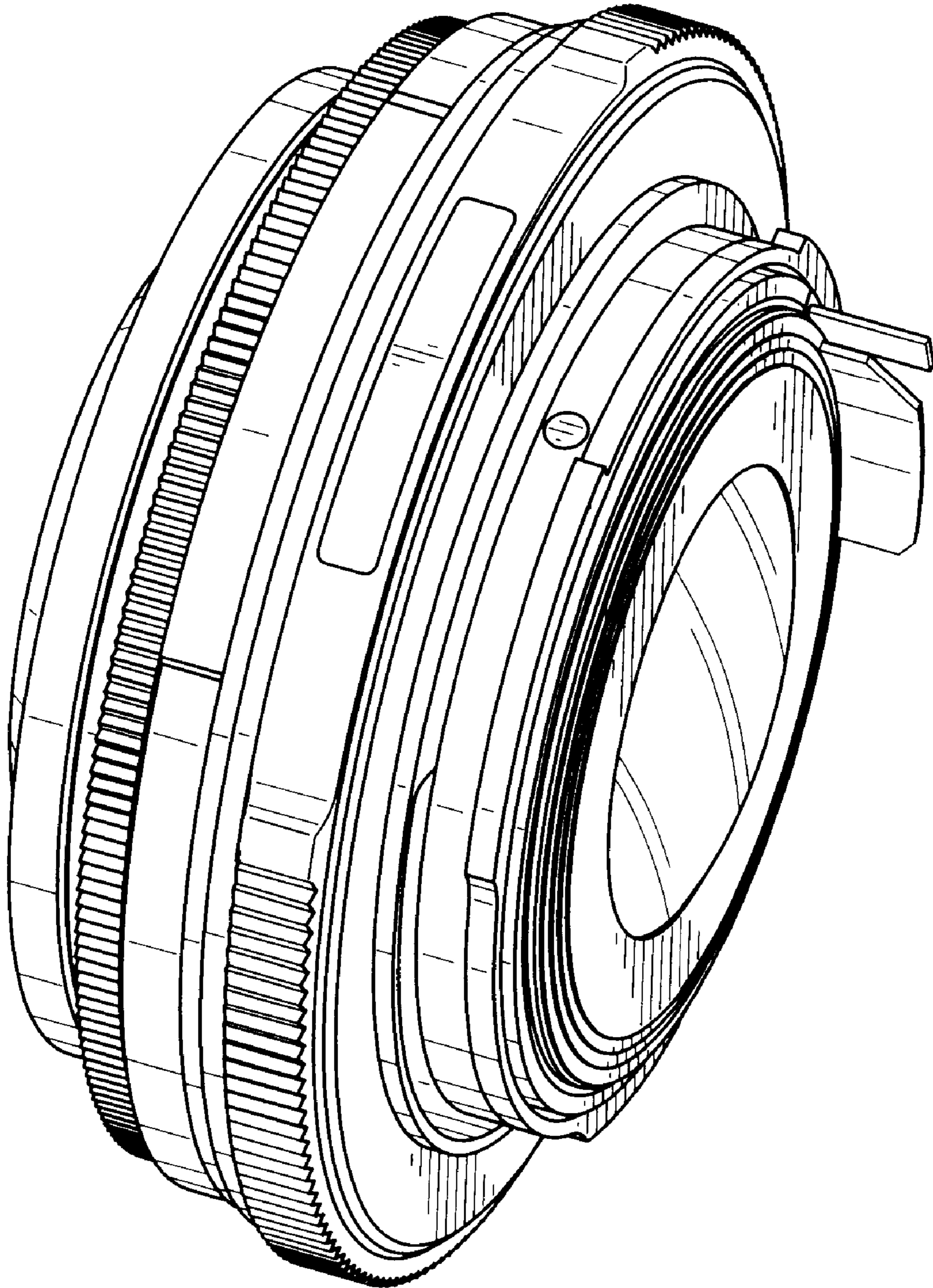
FIG. 7 is a bottom plan view thereof; and,

FIG. 8 is a top plan view thereof in the condition of the lens barrel being extended.

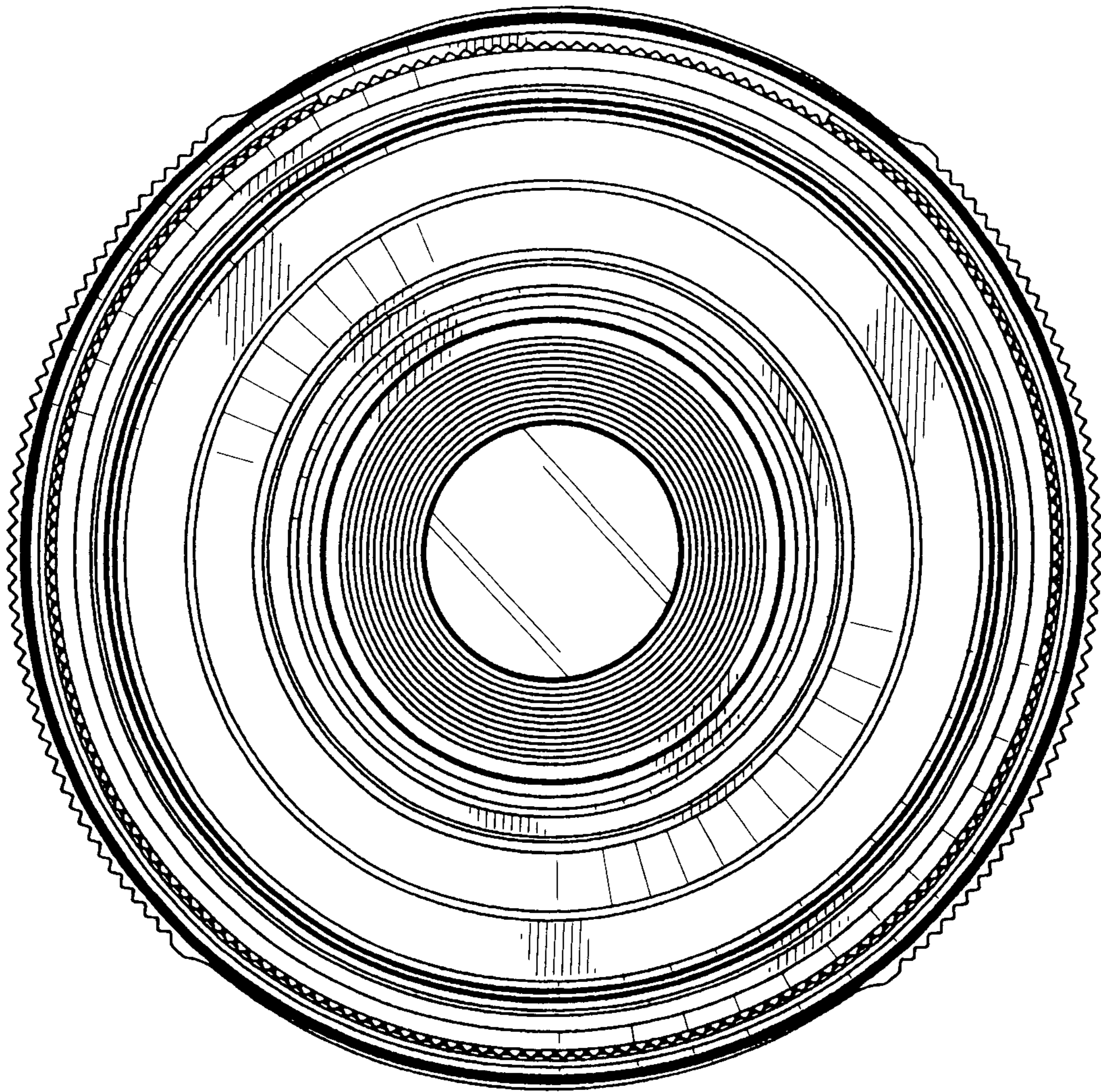
**1 Claim, 6 Drawing Sheets**



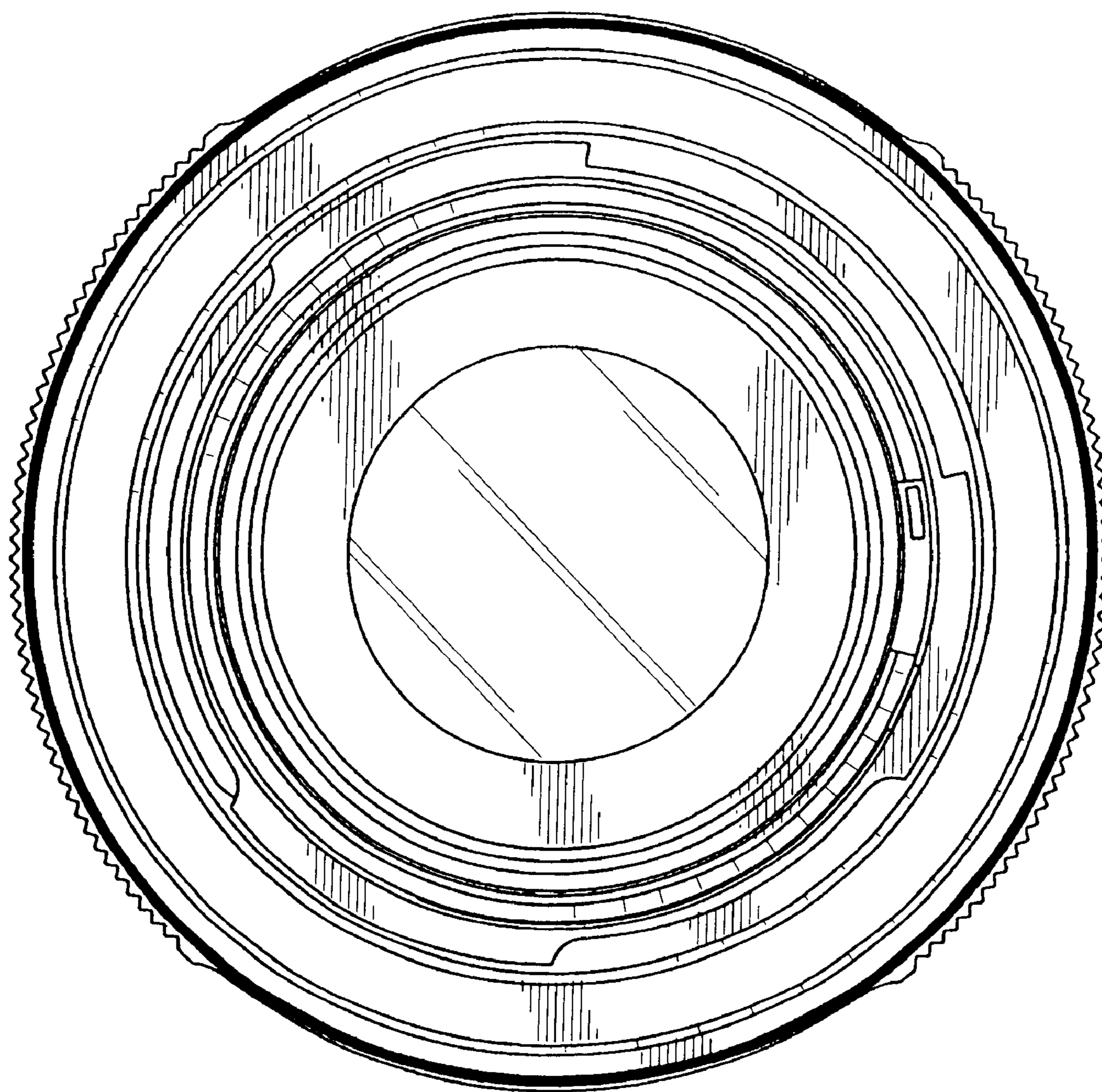
*FIG. 1*



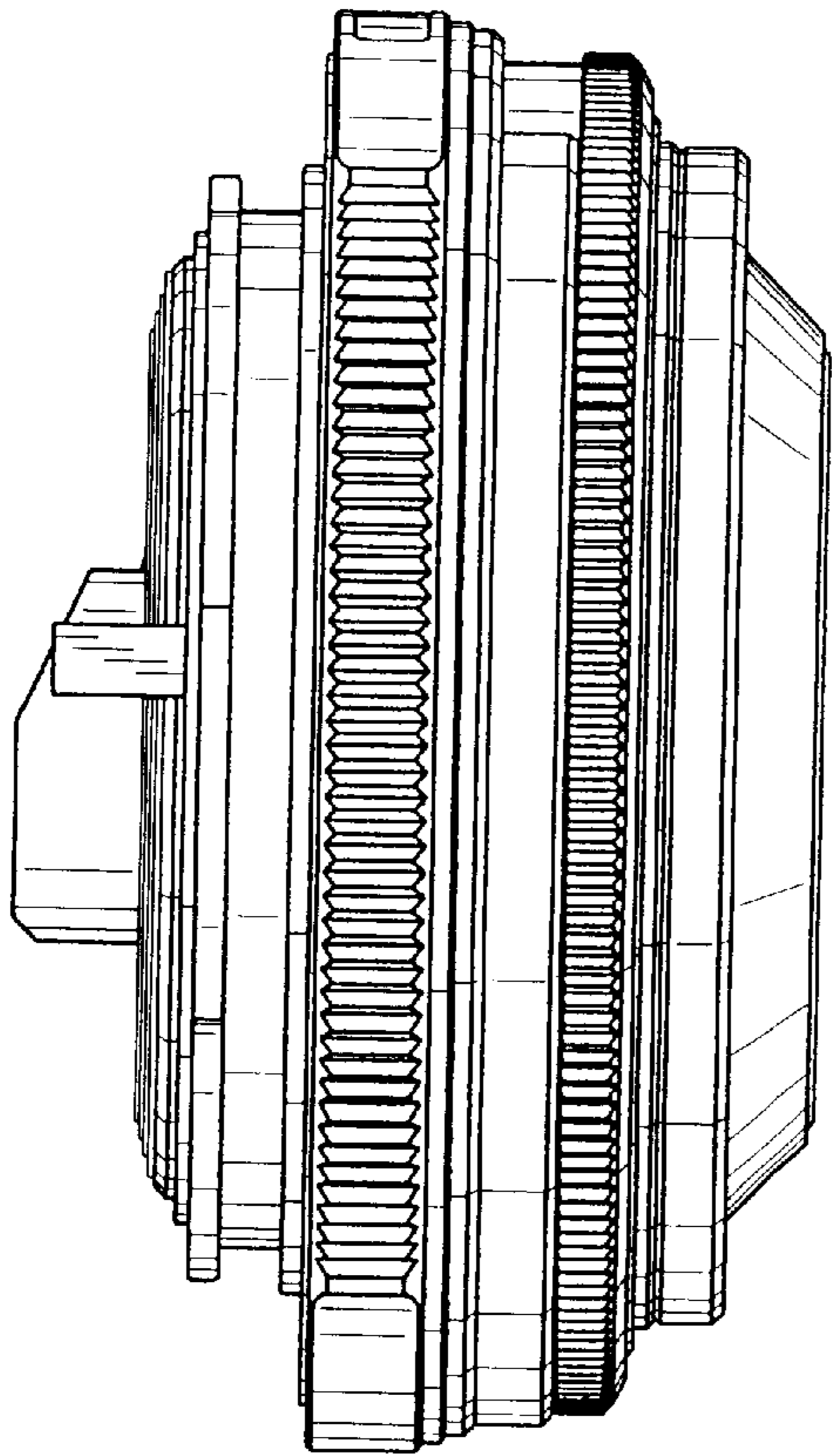
*FIG. 2*



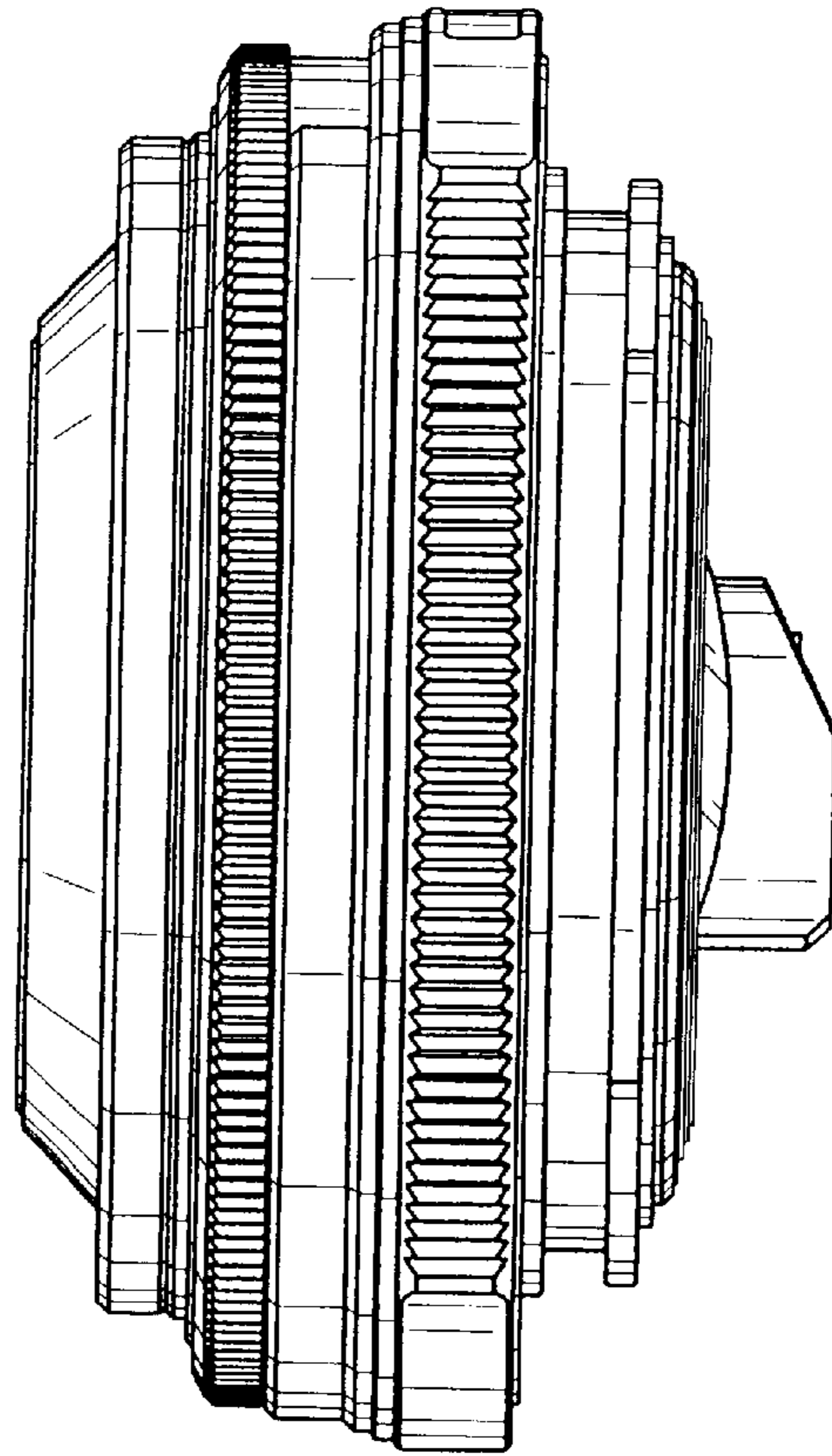
*FIG. 3*



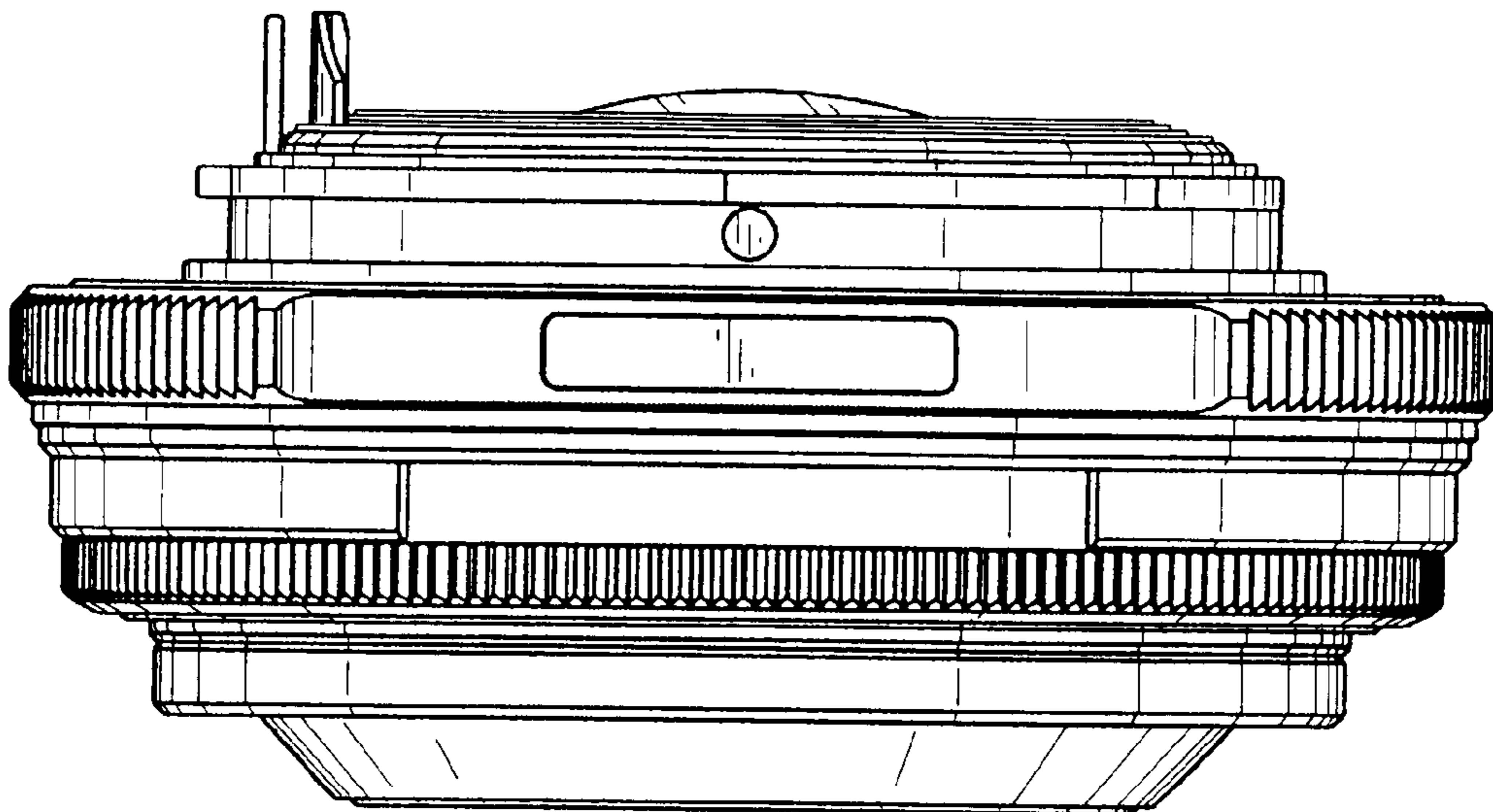
*FIG. 4*



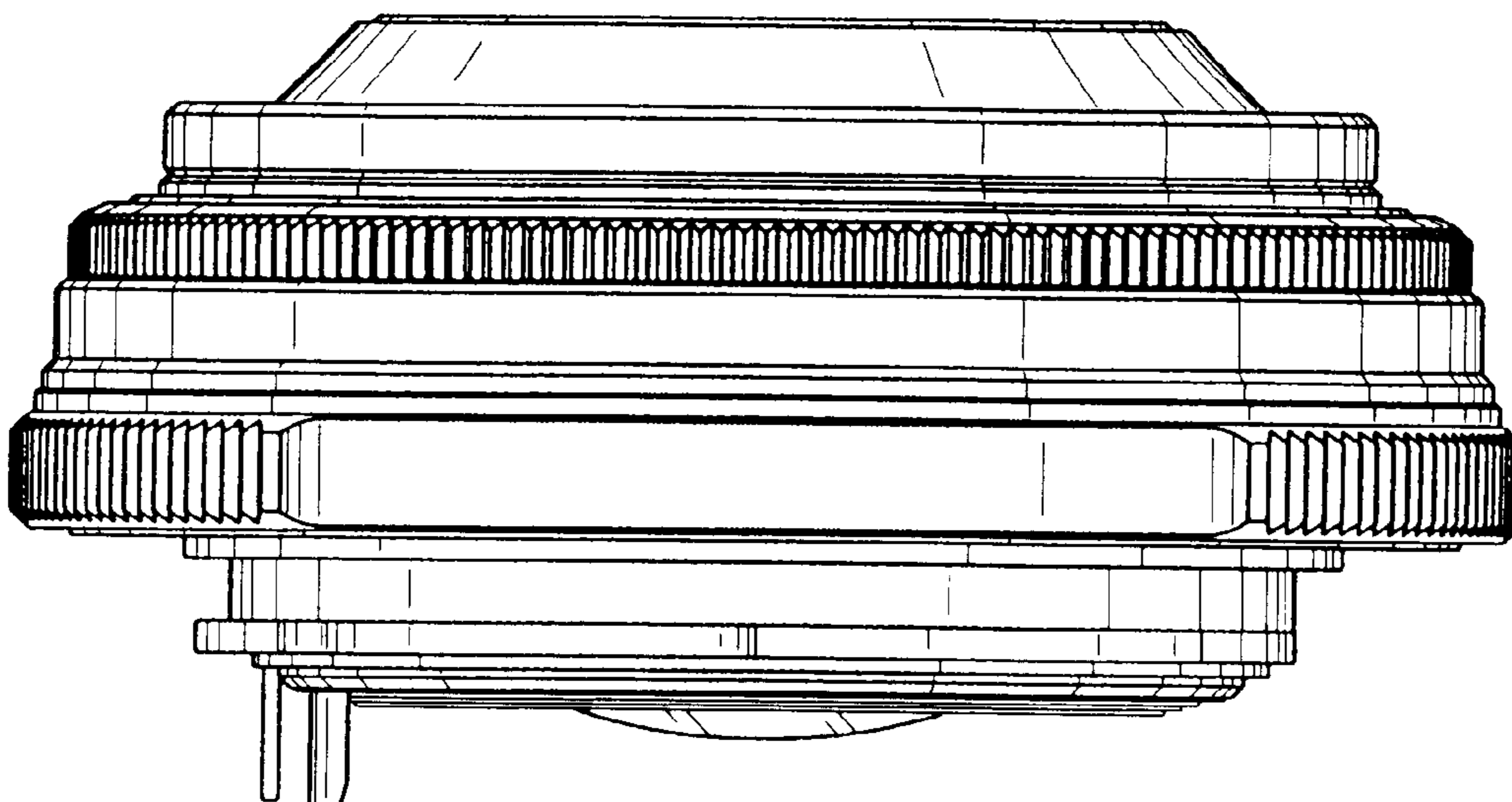
*FIG. 5*



*FIG. 6*



*FIG. 7*



*FIG. 8*

