



US00D523056S

(12) **United States Design Patent**
Tanaka et al.

(10) **Patent No.: US D523,056 S**
(45) **Date of Patent: ** Jun. 13, 2006**

(54) **CAMERA**

(75) Inventors: **Kunihiko Tanaka**, Tokyo (JP); **Kenichi Funato**, Tokyo (JP)

(73) Assignee: **Fujinon Corporation**, Saitama (JP)

(**) Term: **14 Years**

(21) Appl. No.: **29/219,513**

(22) Filed: **Dec. 20, 2004**

(30) **Foreign Application Priority Data**

Jun. 18, 2004 (JP) 2004-018382

(51) **LOC (8) Cl.** **16-01**

(52) **U.S. Cl.** **D16/209; D16/202**

(58) **Field of Classification Search** D16/200–209,
D16/208, 218, 219; 348/373–374; 358/909.1;
396/535–541

See application file for complete search history.

(56) **References Cited**

U.S. PATENT DOCUMENTS

D418,851 S	*	1/2000	Goto et al.	D16/202
D432,152 S	*	10/2000	Watanabe	D16/209
D434,786 S	*	12/2000	Chin	D16/209
D438,228 S	*	2/2001	Hamamura	D16/209
6,542,700 B1	*	4/2003	Ito	396/535
D483,050 S	*	12/2003	Kawai et al.	D16/209

OTHER PUBLICATIONS

Symbols, Signs & Signets by Ernst Lehner, 1969 pp. 153 & 190 (Items 924, 928 & 1189).*

* cited by examiner

Primary Examiner—Adir Aronovich
(74) *Attorney, Agent, or Firm—Young & Thompson*

(57) **CLAIM**

The ornamental design for a camera, as shown and described.

DESCRIPTION

FIG. 1 is a top, front and side perspective view of a camera showing our new design;

FIG. 2 is a front elevational view thereof;

FIG. 3 is a rear elevational view thereof;

FIG. 4 is a top plan view thereof;

FIG. 5 is a bottom plan view thereof;

FIG. 6 is a side elevational view thereof from the left of FIG. 2;

FIG. 7 is a side elevational view thereof from the right of FIG. 2;

FIG. 8 is a view similar to FIG. 1, but with the parts in a different position; and

FIG. 9 is an enlarged design shown at the upper left in FIGS. 1, 2 and 8, the rest of the camera is omitted for ease of illustration

FIG. 10 is an enlarged design shown at the lower left in FIGS. 1, 2 and 8, the rest of the camera is omitted for ease of illustration; and,

FIG. 11 is an enlarged design shown at the lower right in FIGS. 1, 2 and 8, the rest of the camera is omitted for ease of illustration.

1 Claim, 6 Drawing Sheets

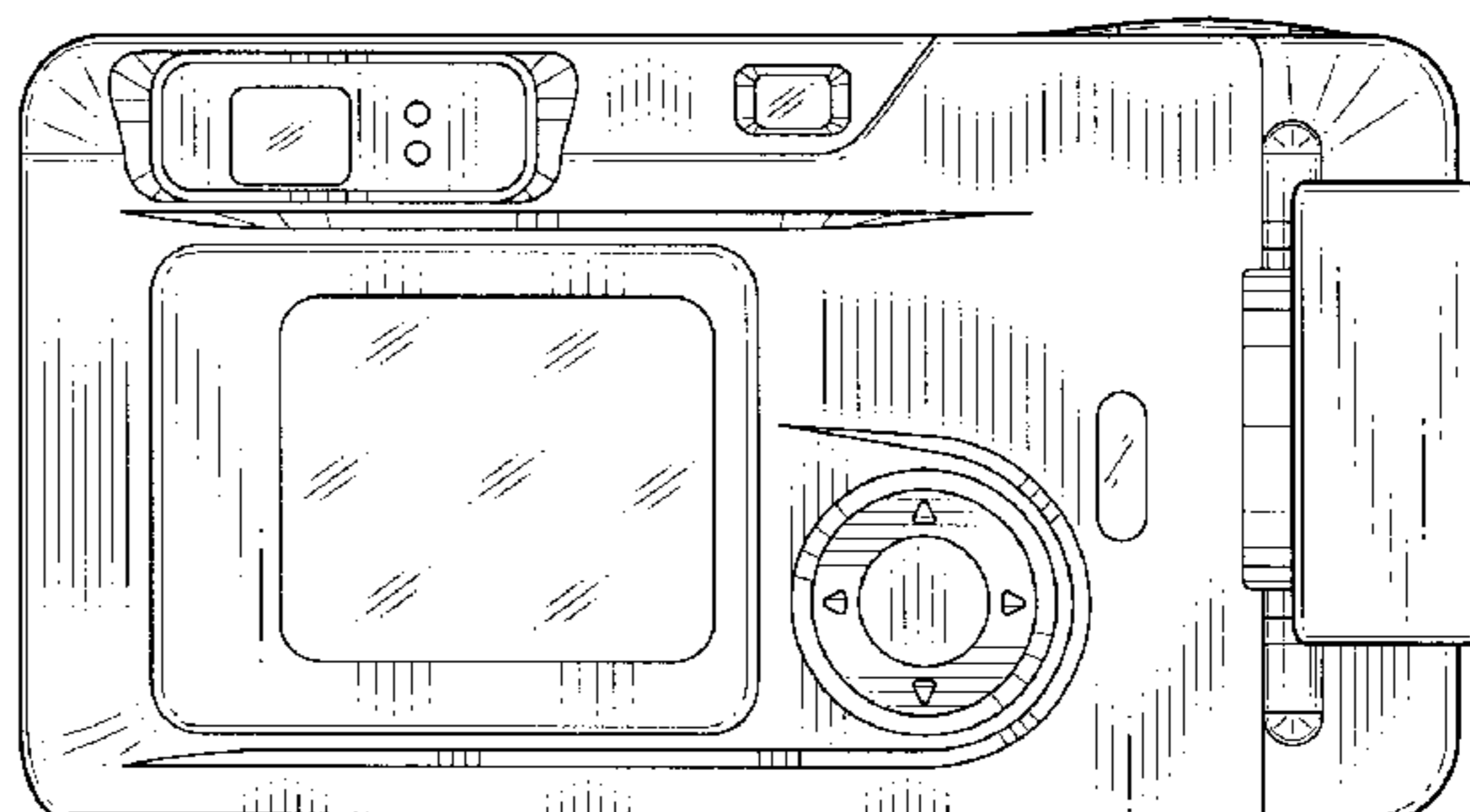
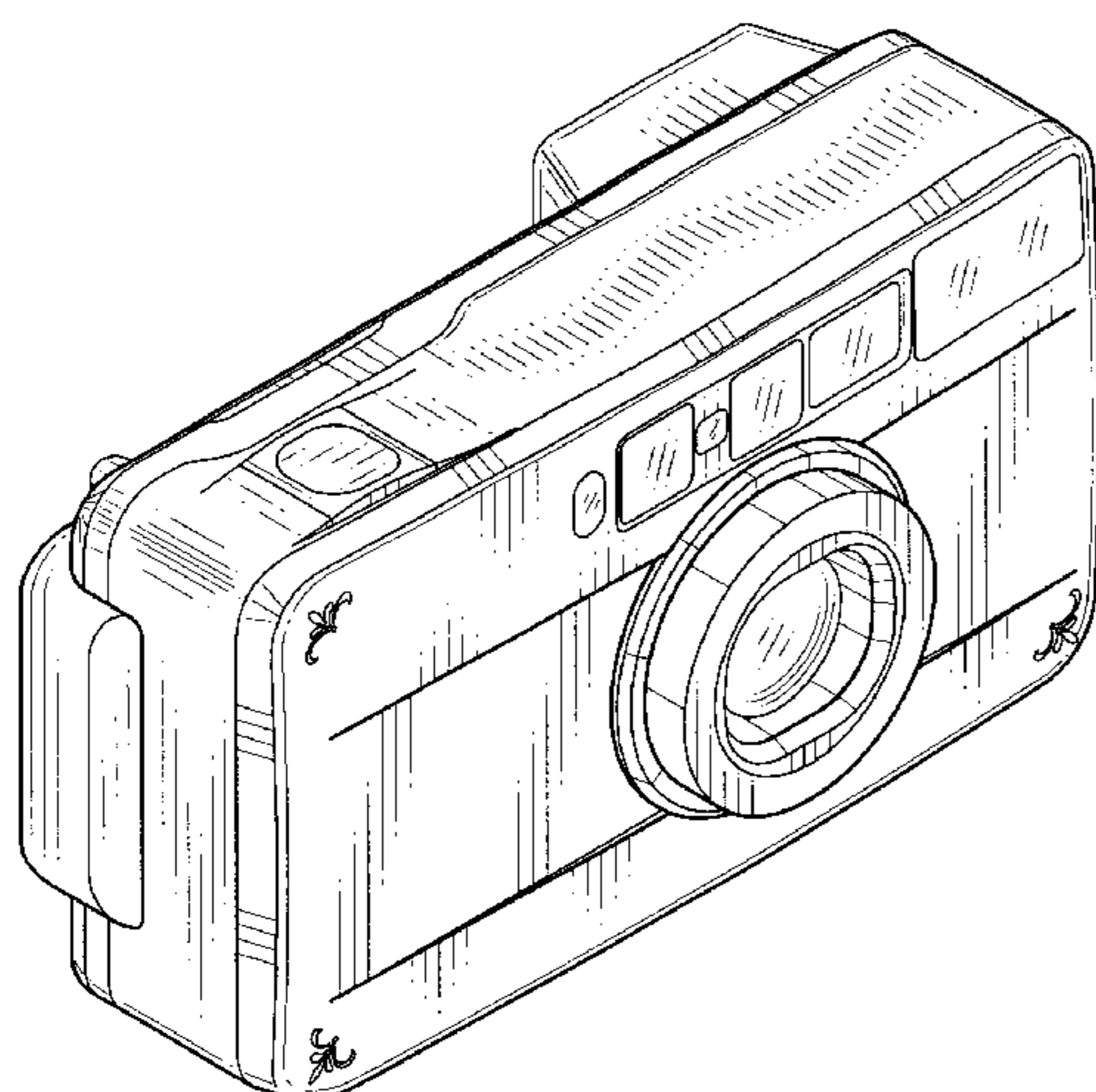


FIG. 1

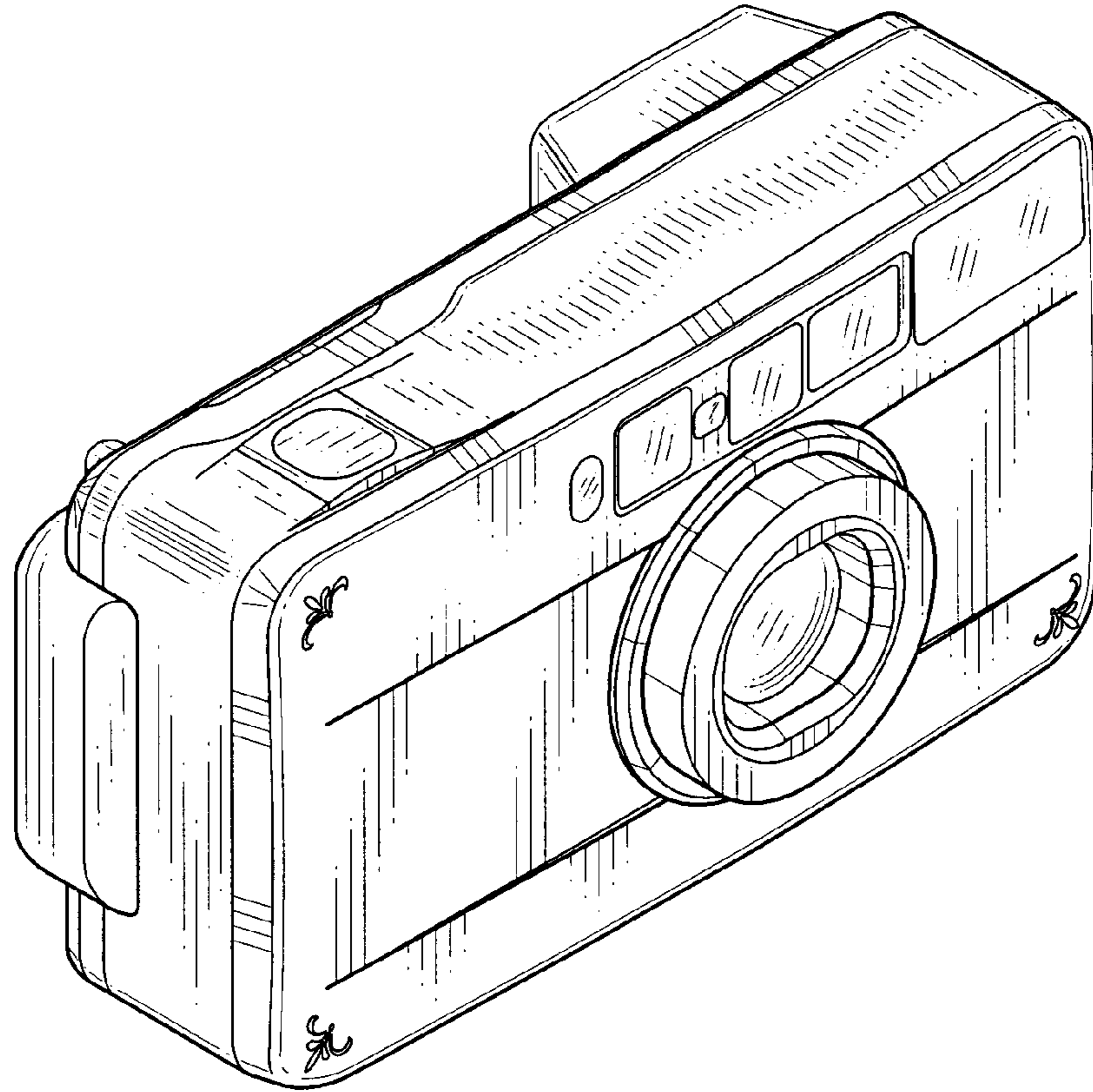


FIG. 2

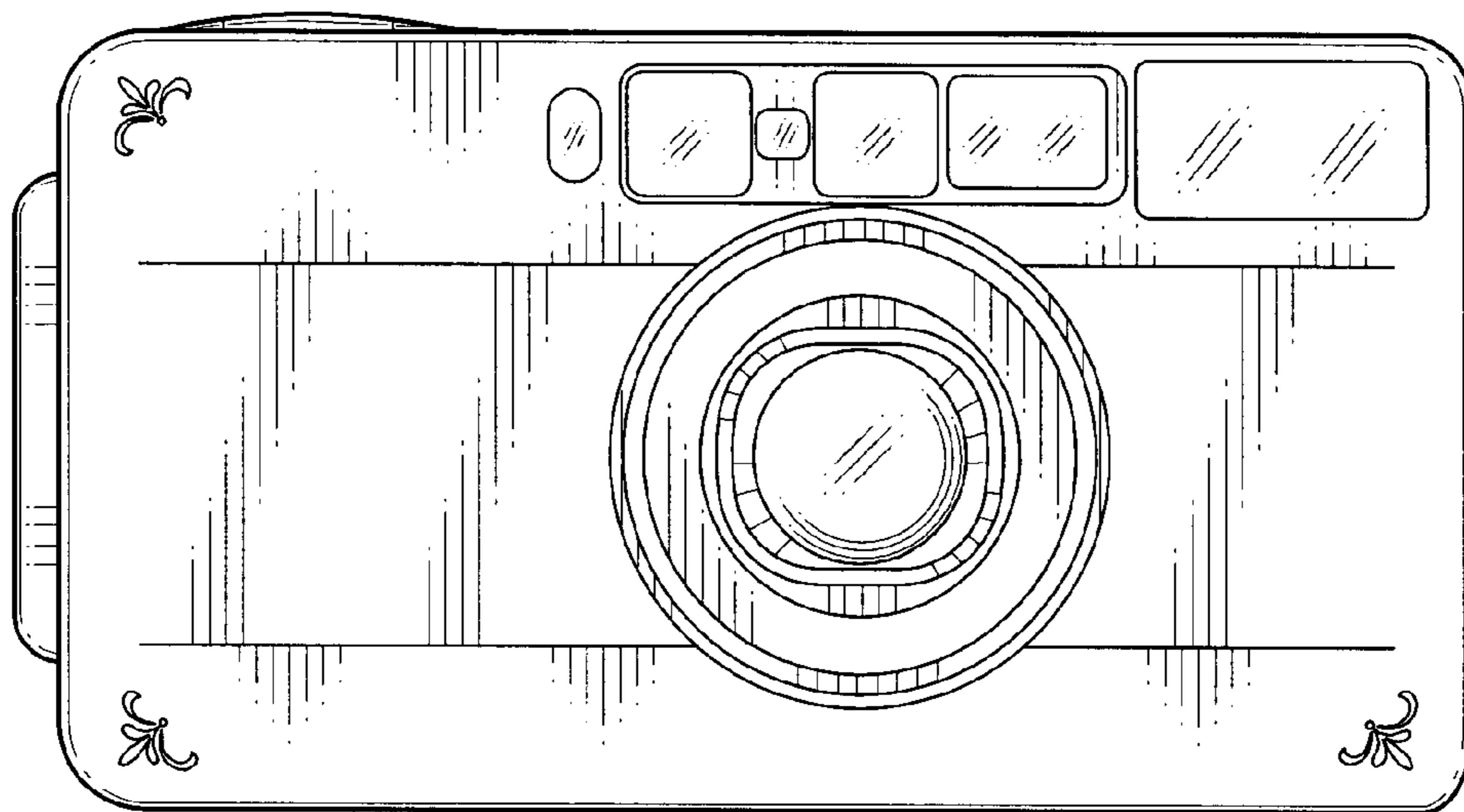


FIG.3

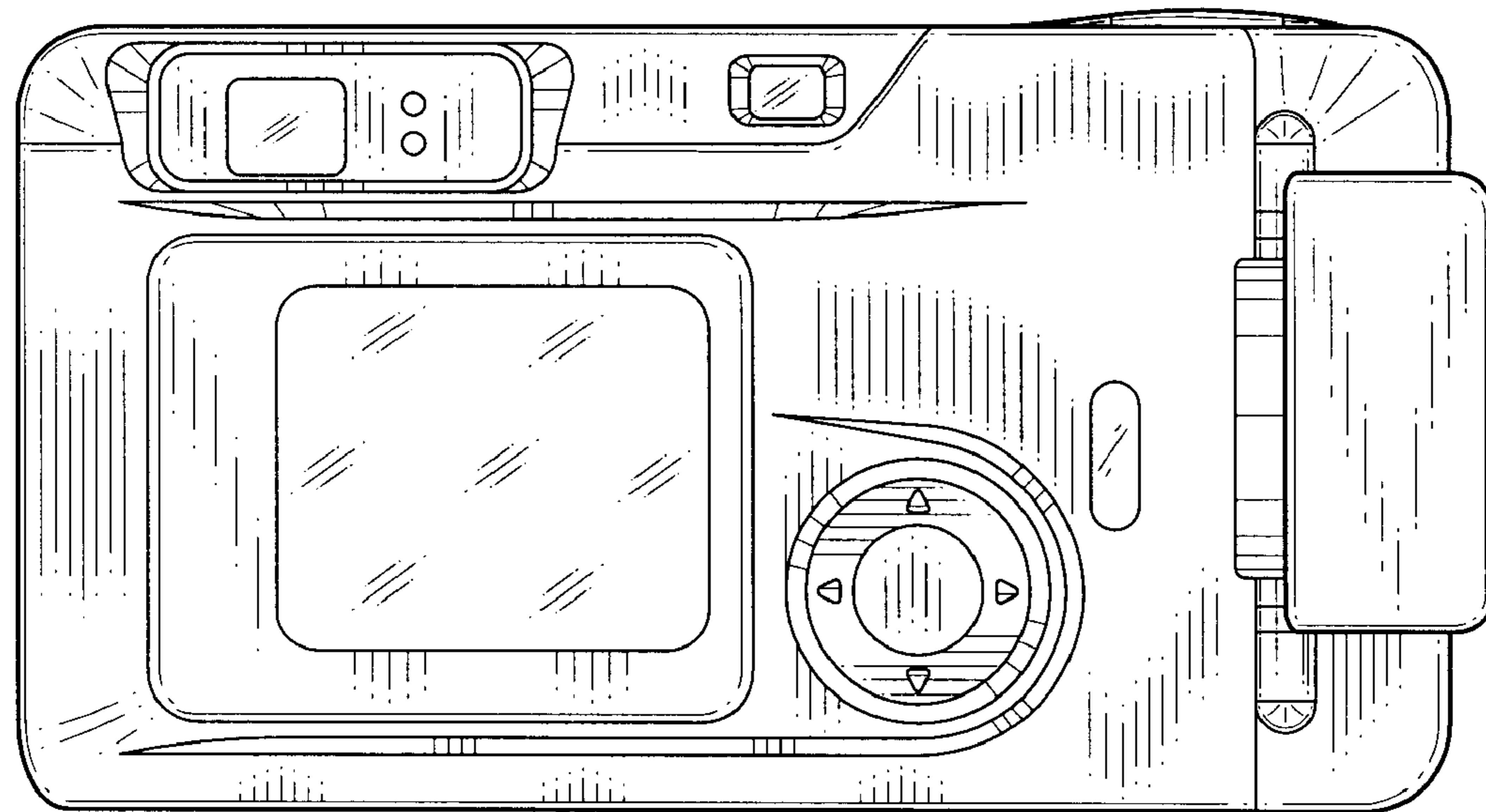


FIG.4

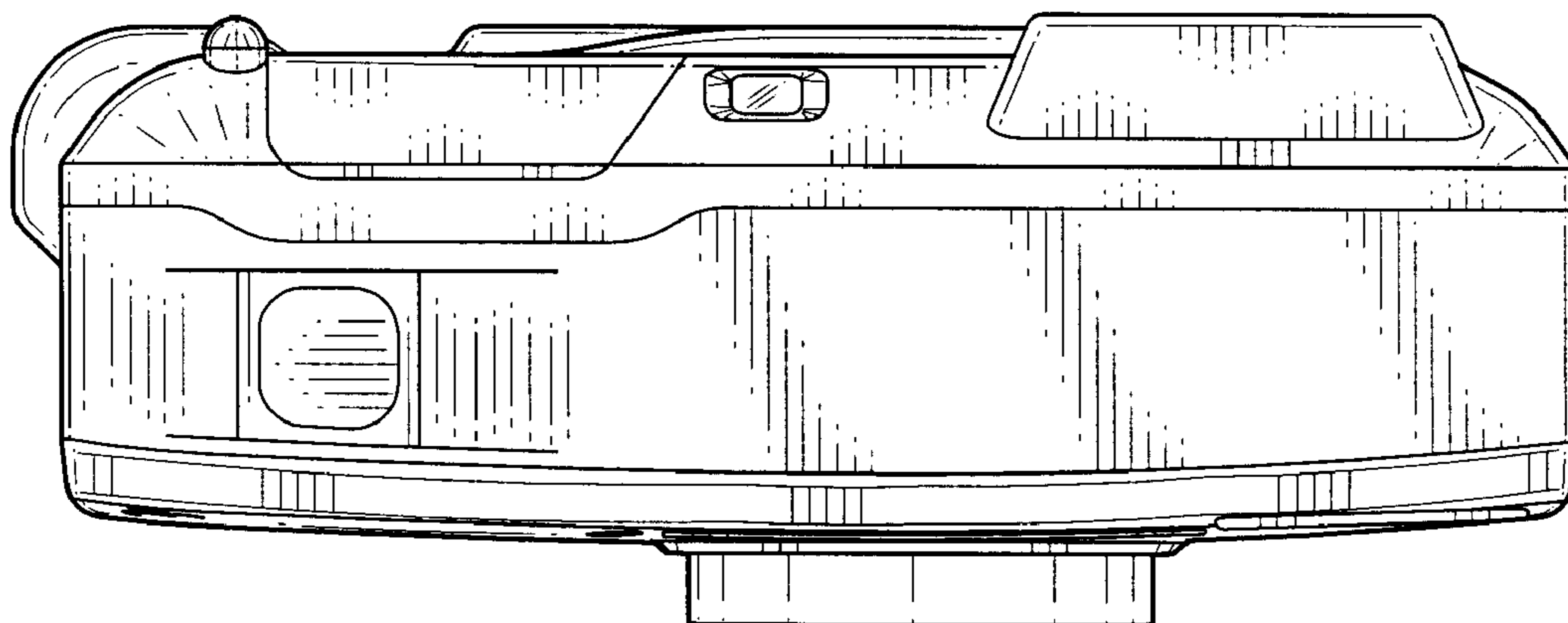


FIG.5

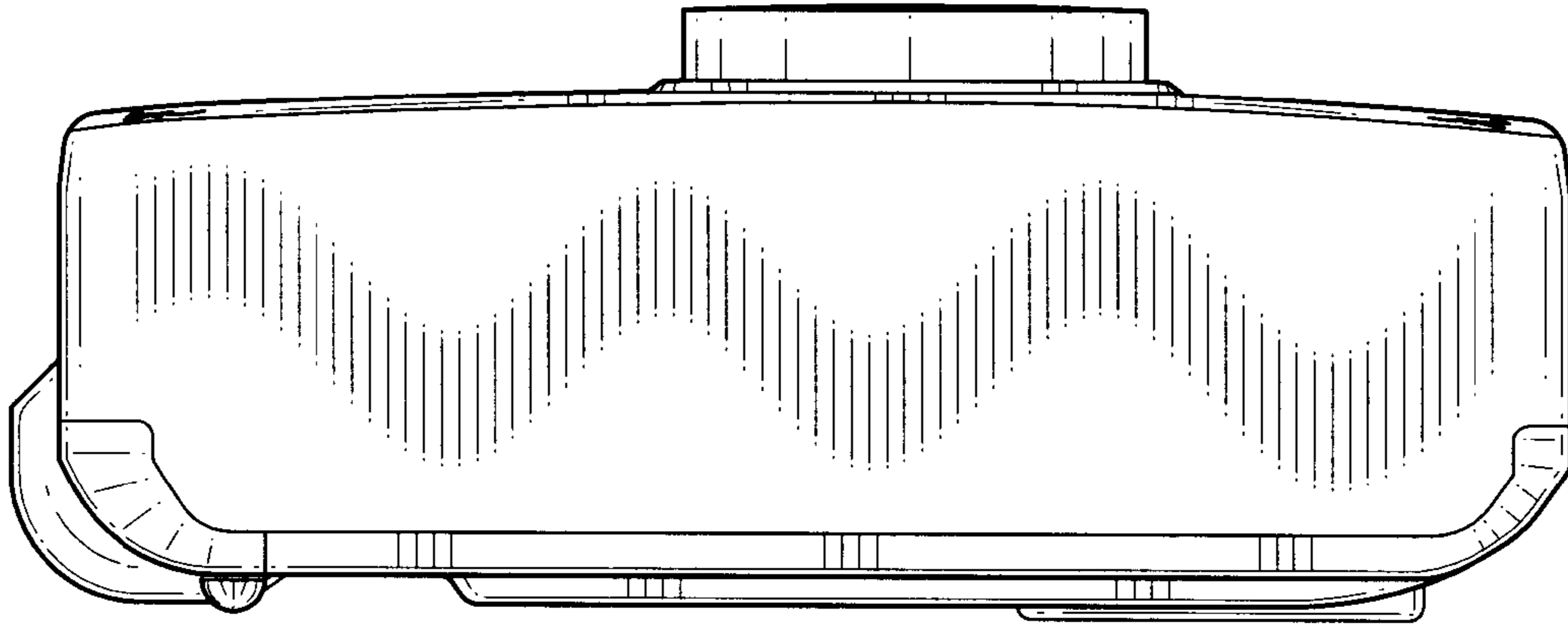


FIG.6

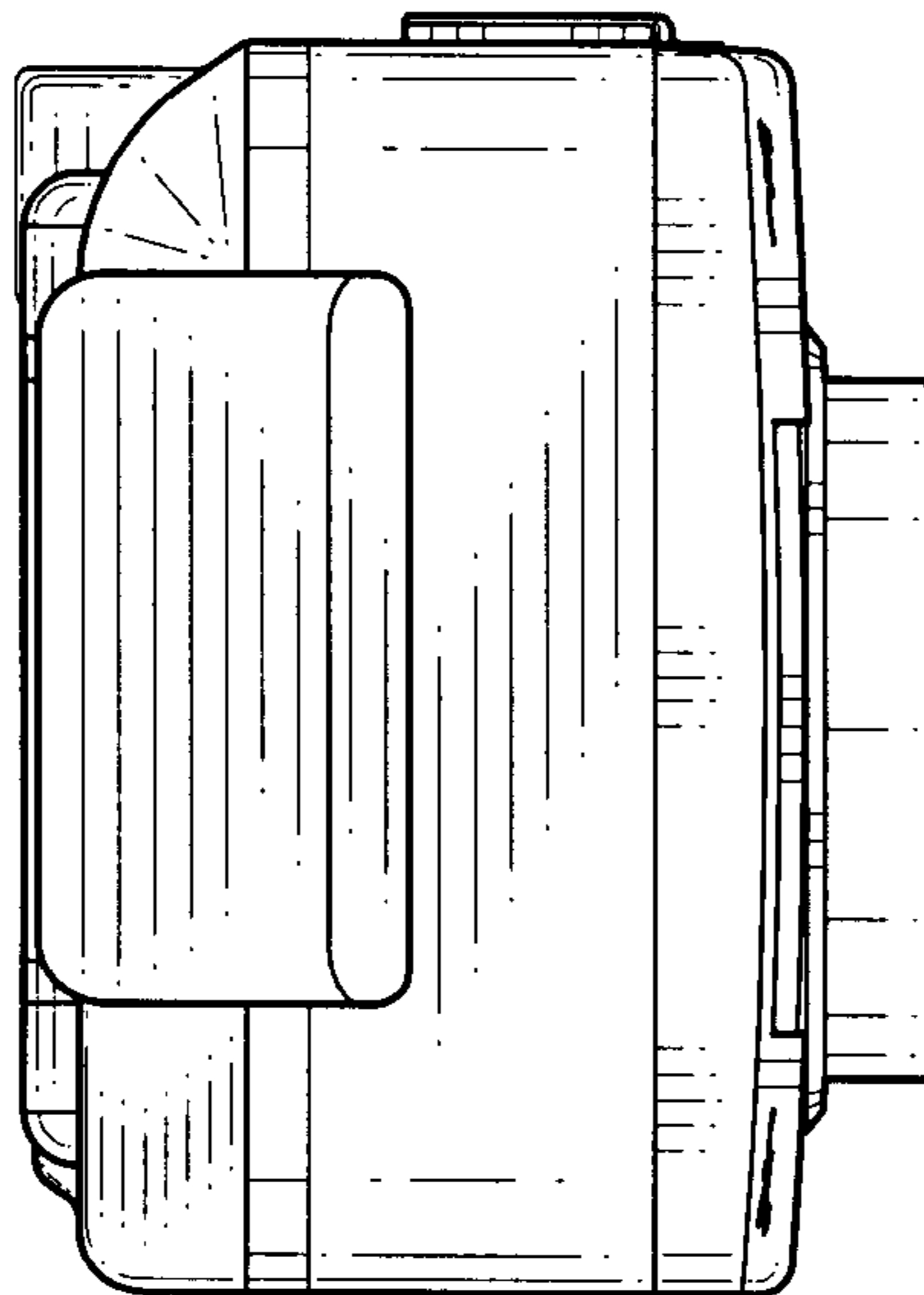


FIG.7

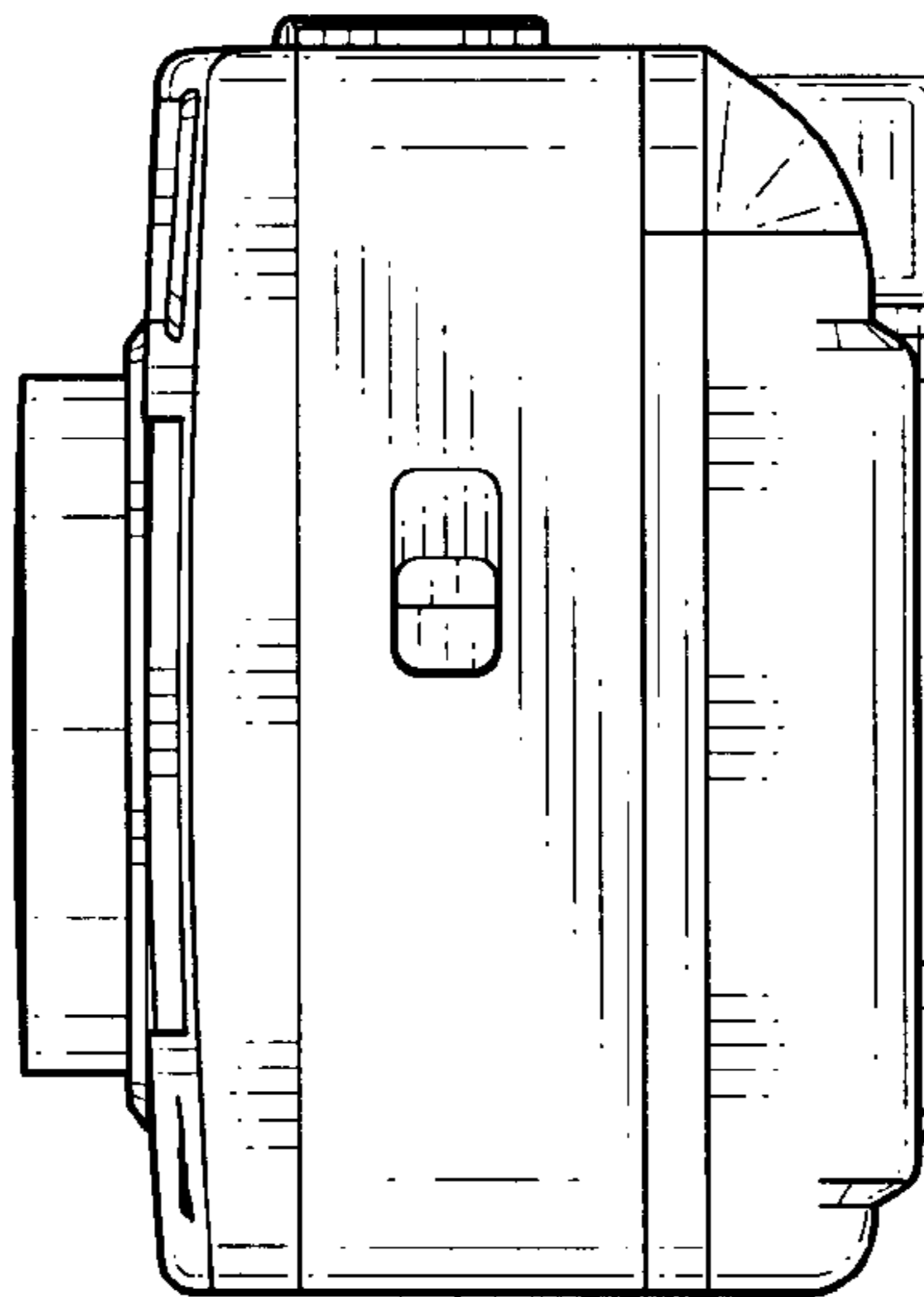


FIG.8

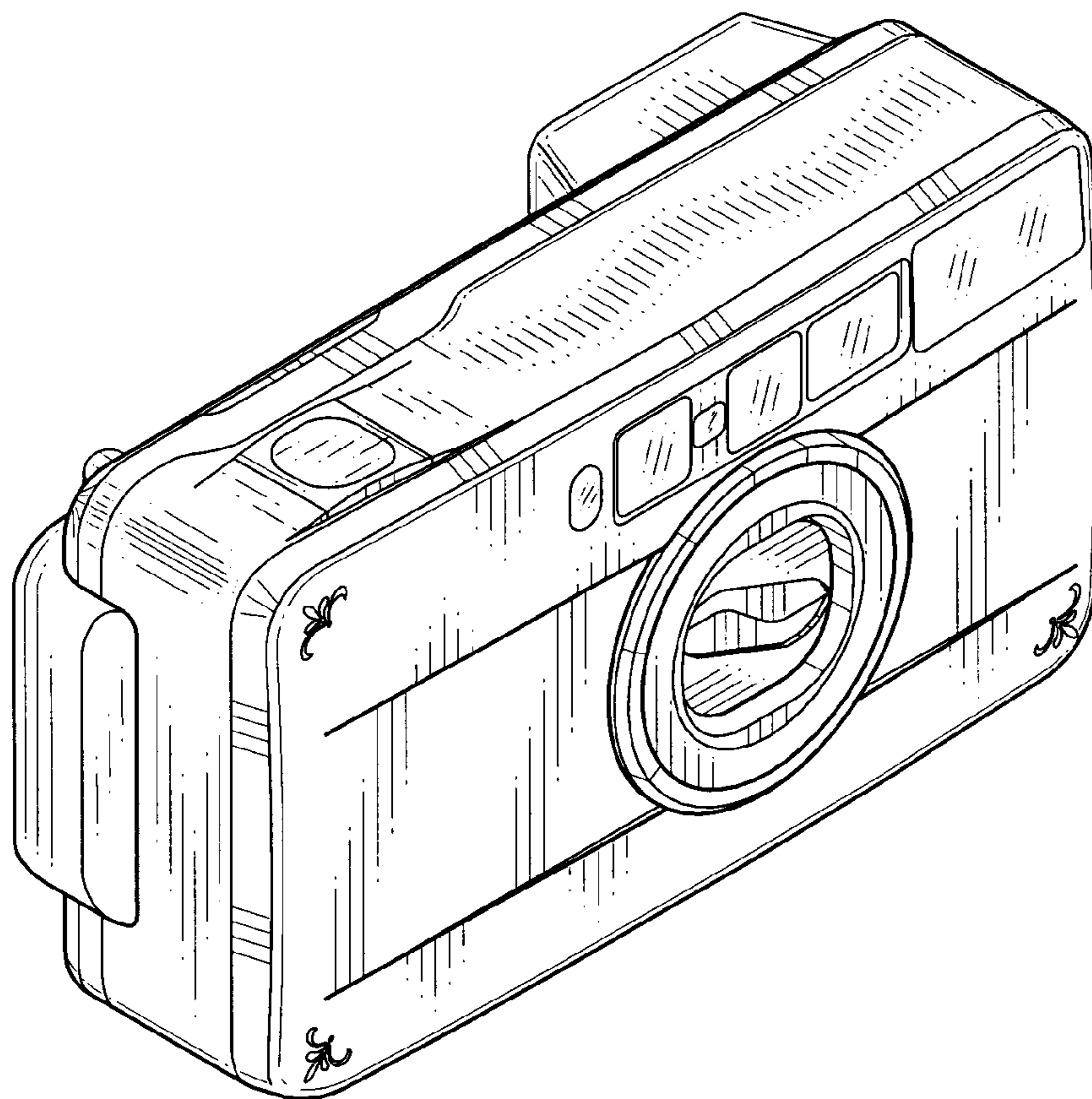


FIG.9

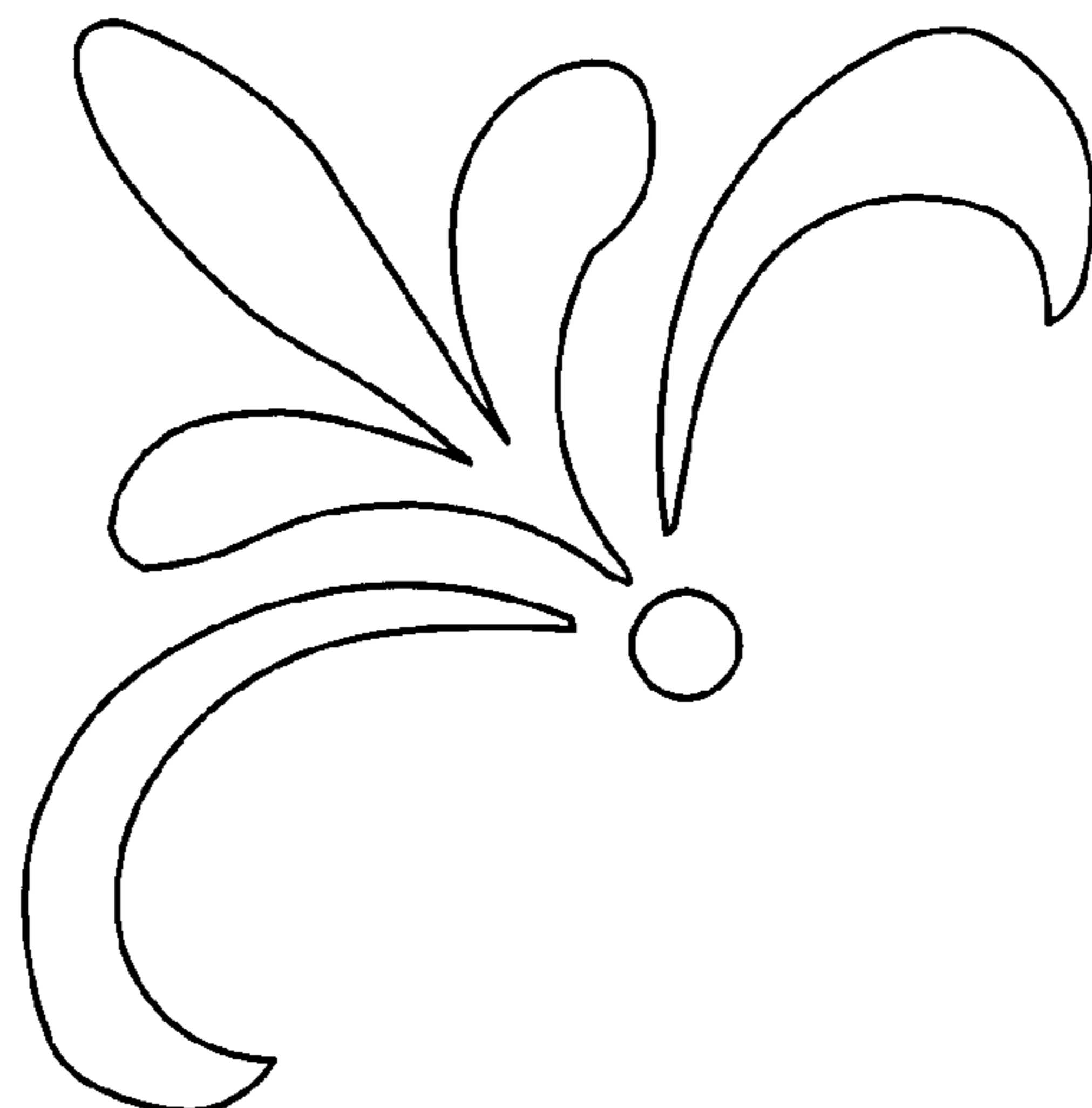


FIG.10

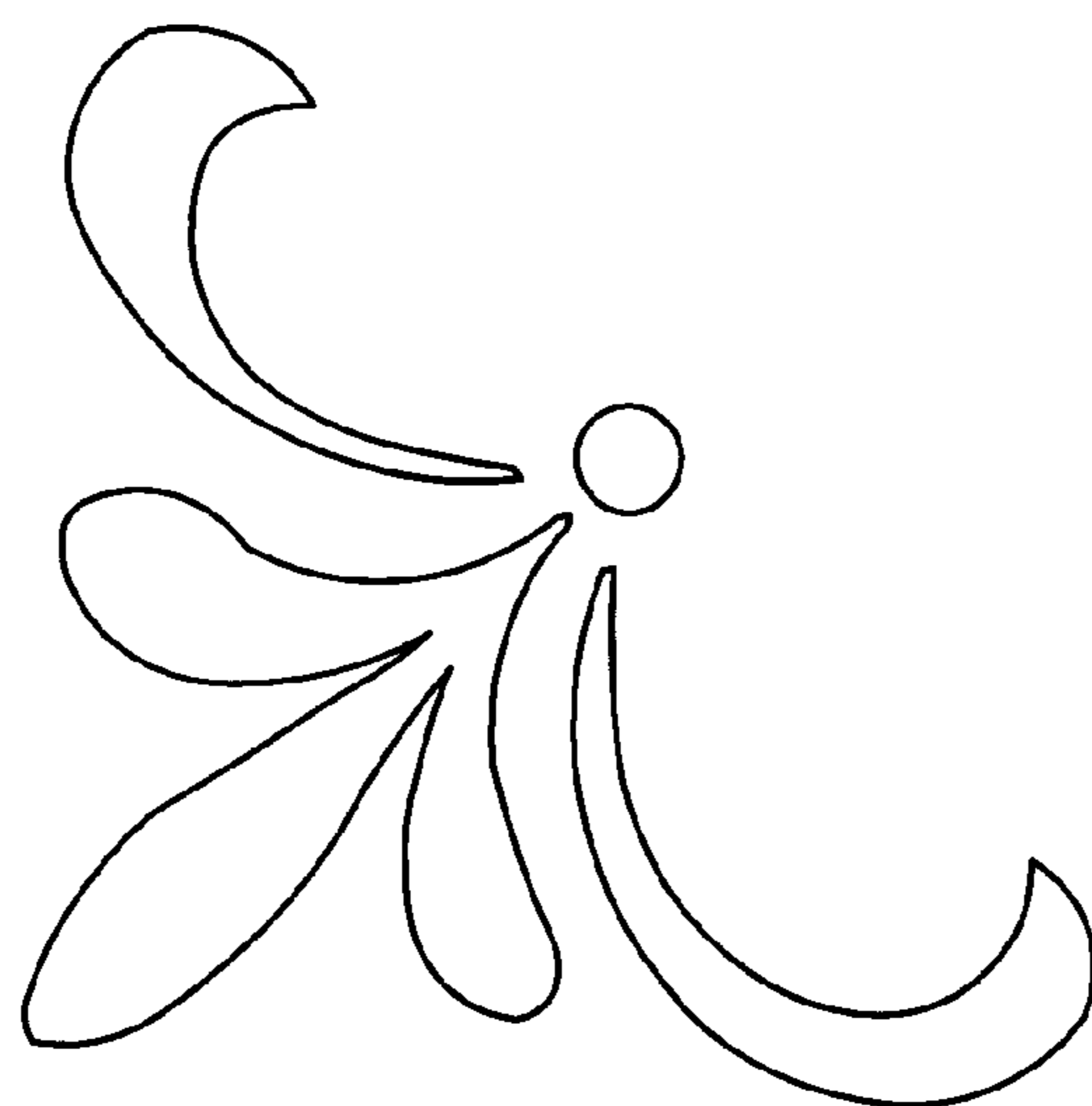


FIG. 11

