



US00D523054S

(12) **United States Design Patent**  
**Yoo**

(10) **Patent No.:** **US D523,054 S**  
(45) **Date of Patent:** **\*\* Jun. 13, 2006**

(54) **DIGITAL CAMERA**

(75) Inventor: **Seung Seup Yoo**, Seongnam-si (KR)

(73) Assignee: **Samsung Techwin Co., Ltd.**,  
Changwon (KR)

(\*\*) Term: **14 Years**

(21) Appl. No.: **29/218,383**

(22) Filed: **Dec. 1, 2004**

(51) **LOC (8) Cl.** ..... **16-01**

(52) **U.S. Cl.** ..... **D16/202**

(58) **Field of Classification Search** ..... D16/200–205,  
D16/208, 218; 348/373–376; 358/909.1;  
396/6, 535–541

See application file for complete search history.

(56) **References Cited**

**U.S. PATENT DOCUMENTS**

D445,440 S	*	7/2001	Chen	.....	D16/202
D450,073 S	*	11/2001	Sumita	.....	D16/202
D480,742 S	*	10/2003	Chin	.....	D16/202
D494,990 S	*	8/2004	Su et al.	.....	D16/202
D495,350 S	*	8/2004	Yoo	.....	D16/202
D495,351 S	*	8/2004	Yi	.....	D16/202

D500,775 S	*	1/2005	Iue	.....	D16/202
D505,967 S	*	6/2005	Ko et al.	.....	D16/218

\* cited by examiner

*Primary Examiner*—Adir Aronovich

(74) *Attorney, Agent, or Firm*—Gardner Carton & Douglas  
LLP

(57) **CLAIM**

I claim the ornamental design for a digital camera, as shown  
and described.

**DESCRIPTION**

FIG. 1 is a front perspective view of the design for a digital  
camera;

FIG. 2 is a front view of the design of FIG. 1;

FIG. 3 is a rear elevational view of the design of FIG. 1;

FIG. 4 is a left side view of the design of FIG. 1;

FIG. 5 is a right side view of the design of FIG. 1;

FIG. 6 is a top view of the design of FIG. 1;

FIG. 7 is a bottom view of the design of FIG. 1;

FIG. 8 is a front perspective view, with the lens in an  
extended position; and,

FIG. 9 is a rear perspective view of the design of FIG. 1.

**1 Claim, 5 Drawing Sheets**

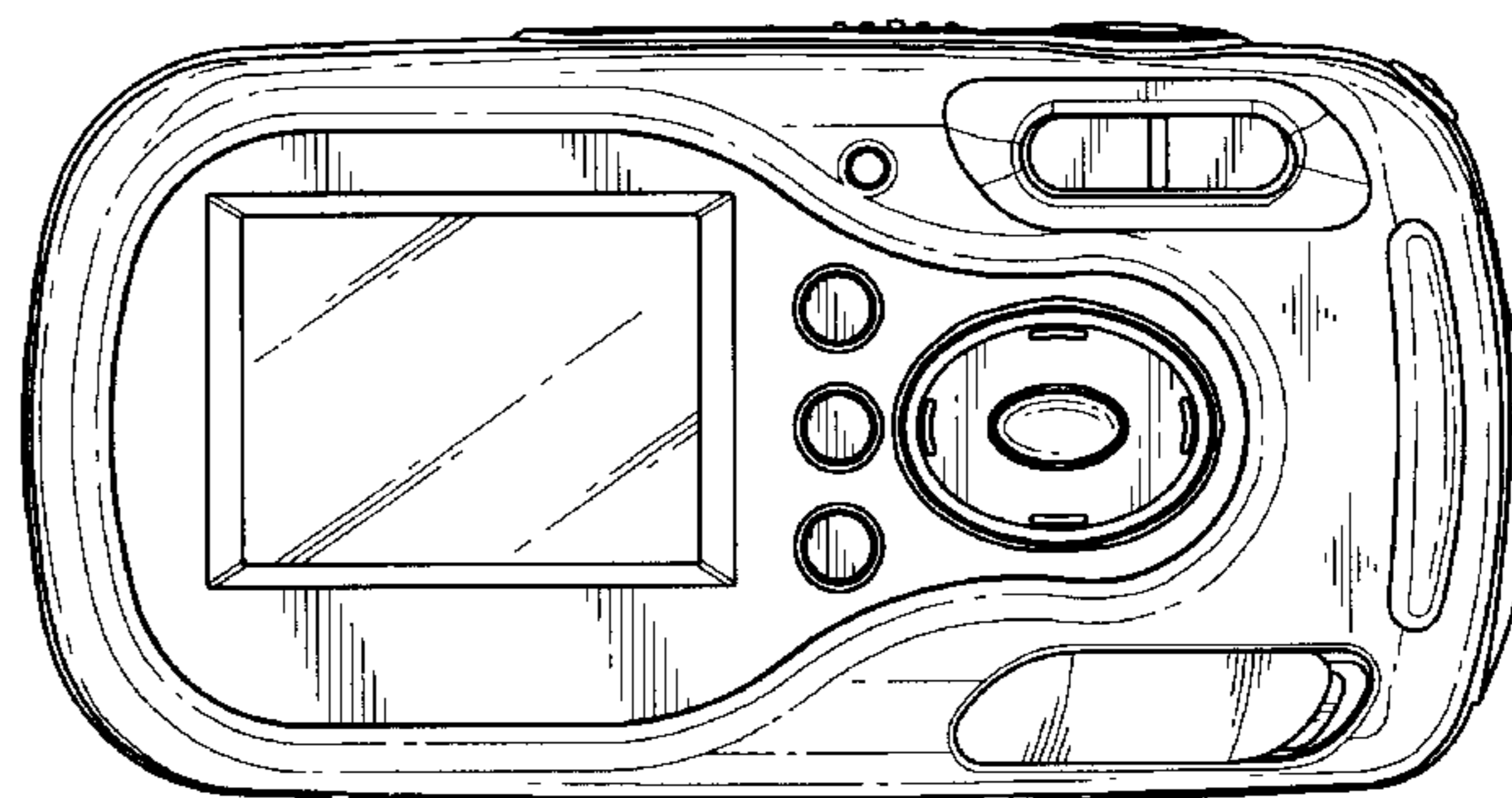
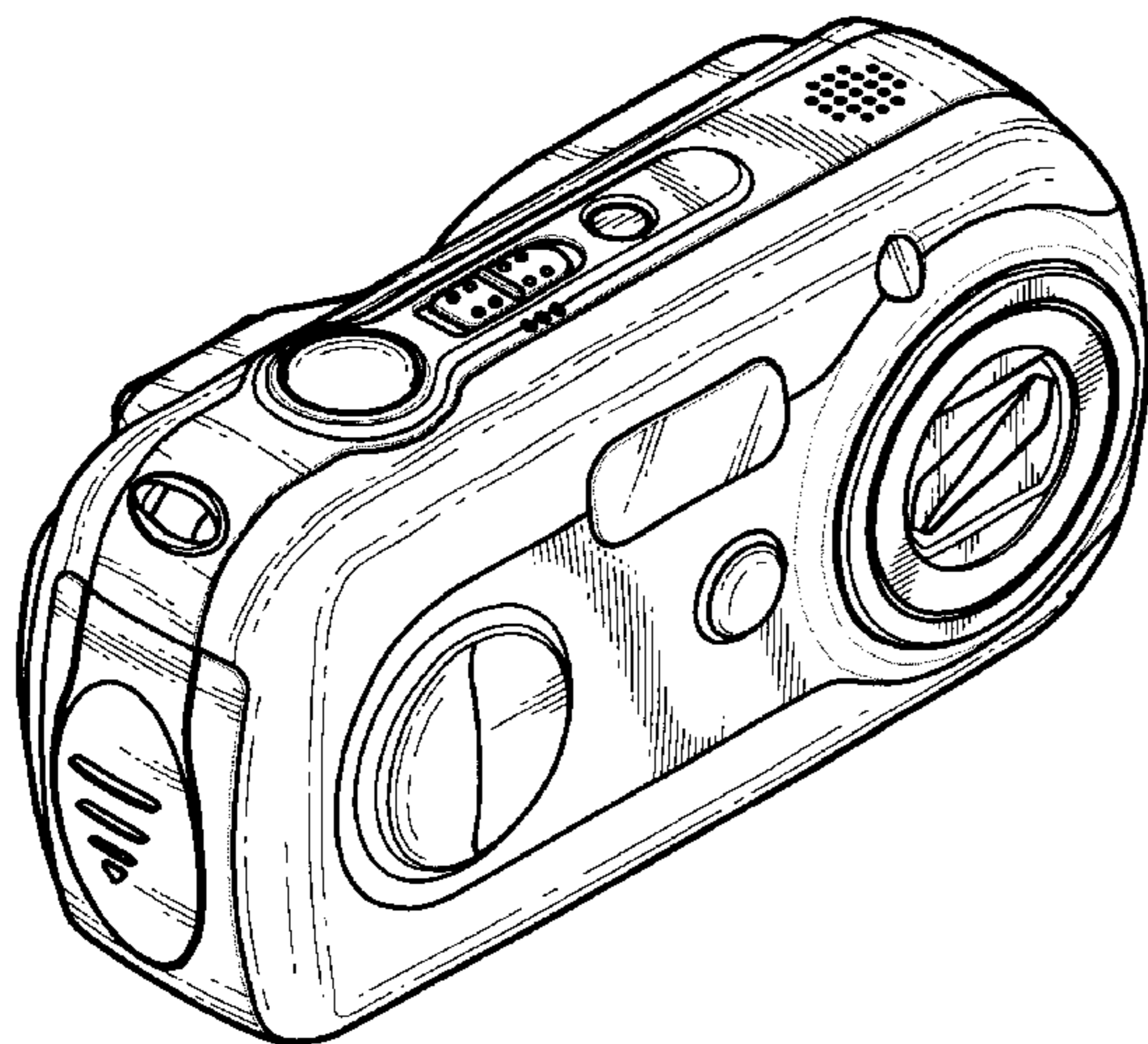


FIG. 1

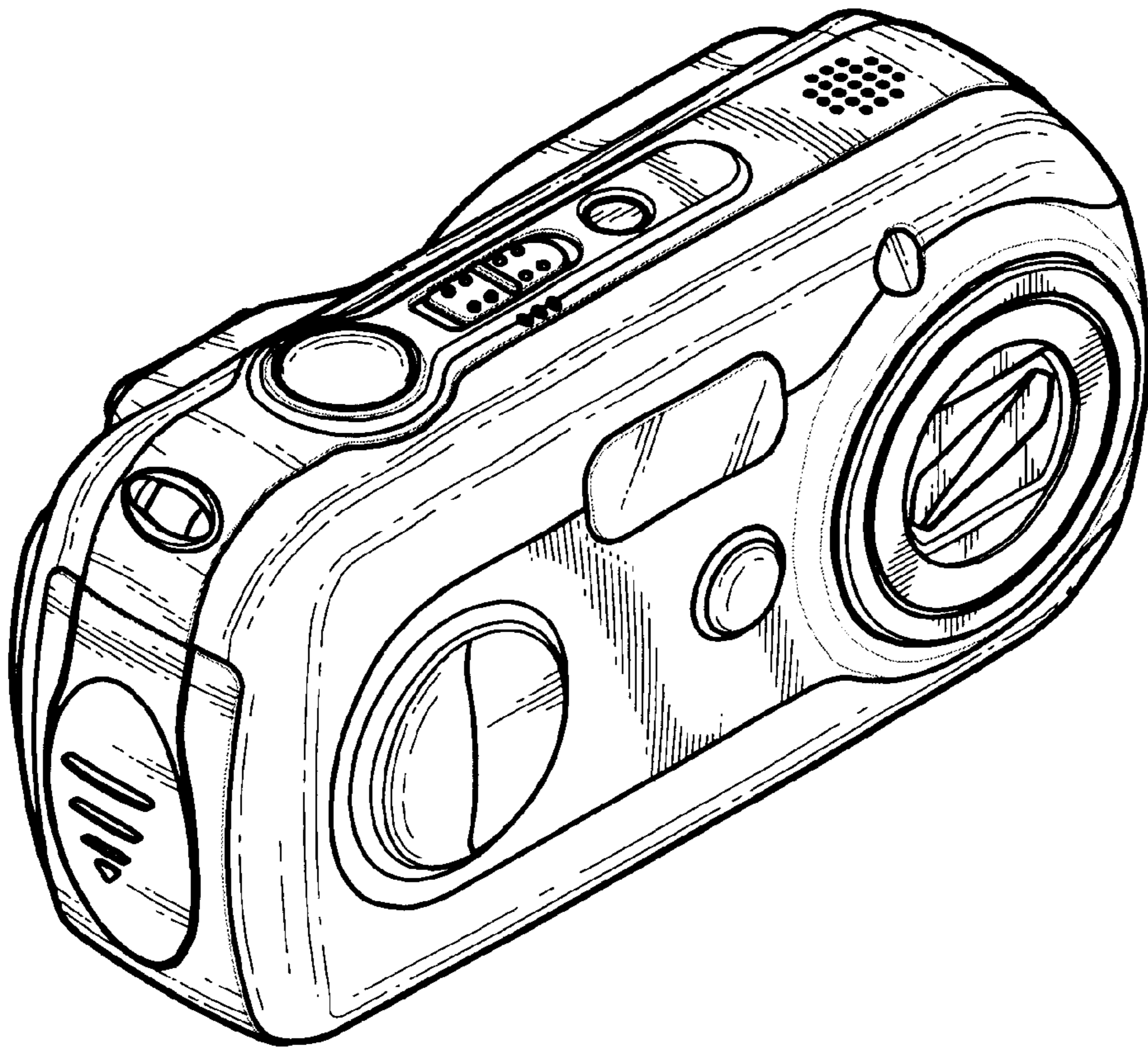


FIG. 2

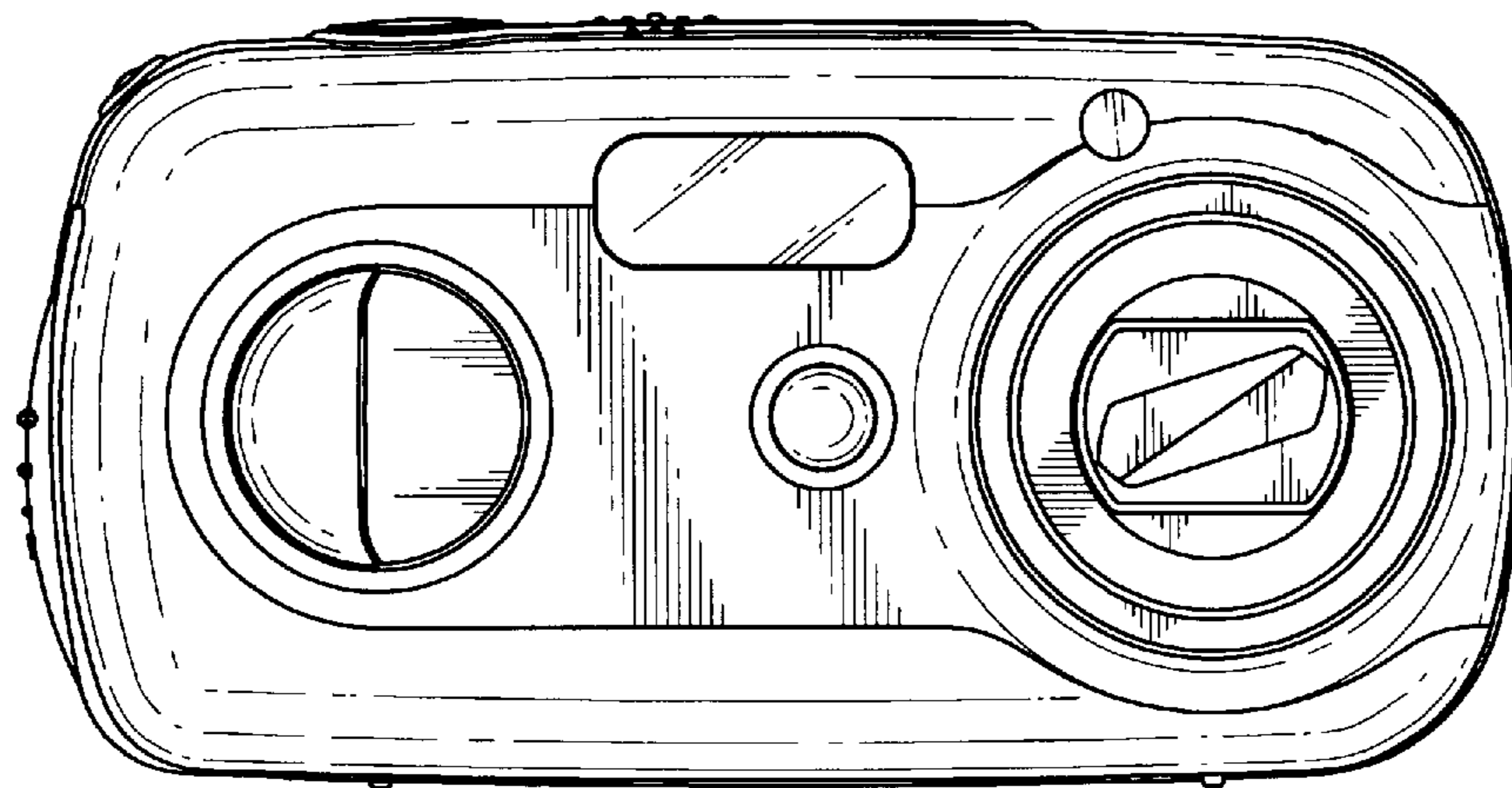


FIG. 3

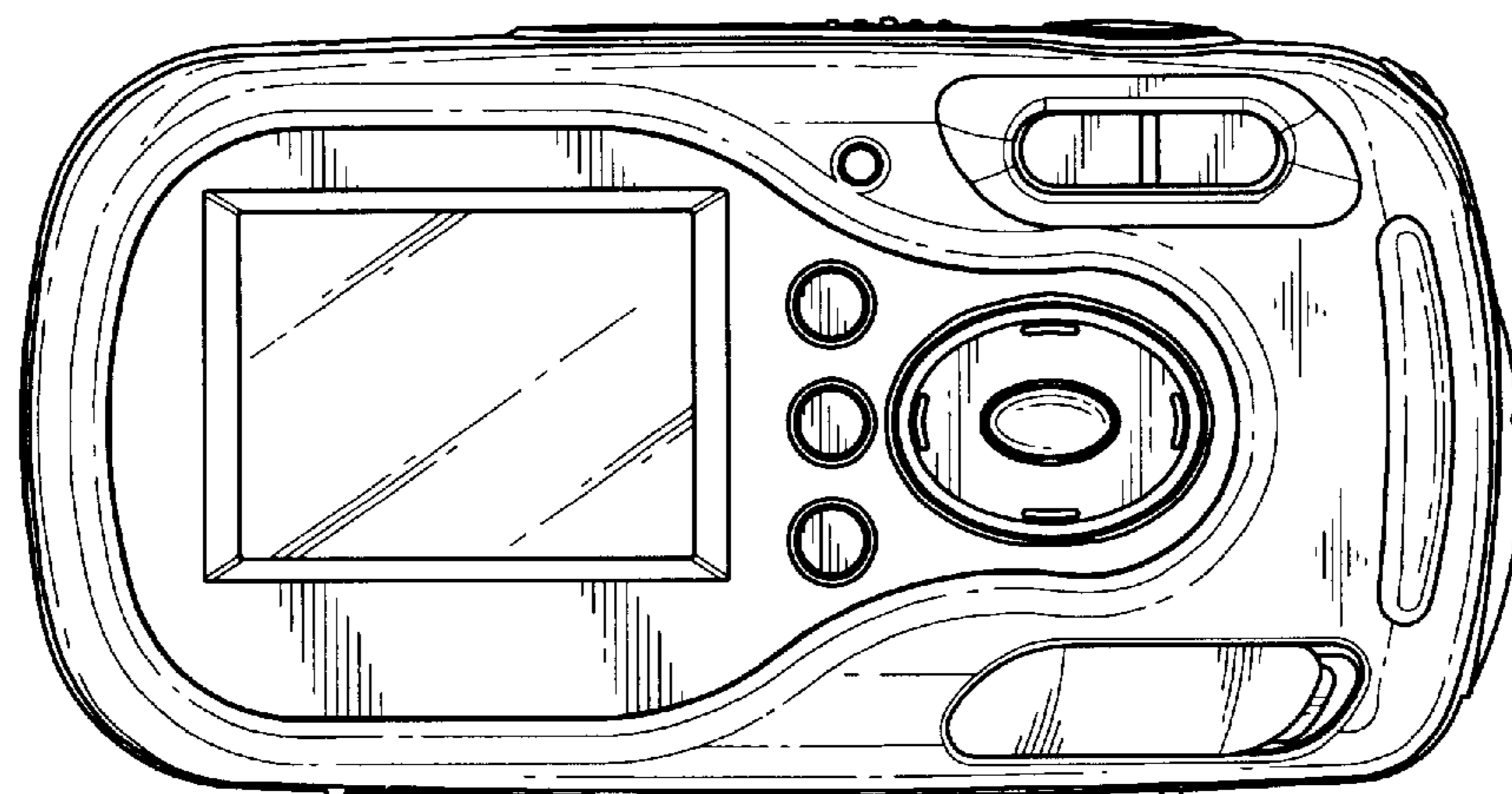


FIG. 4

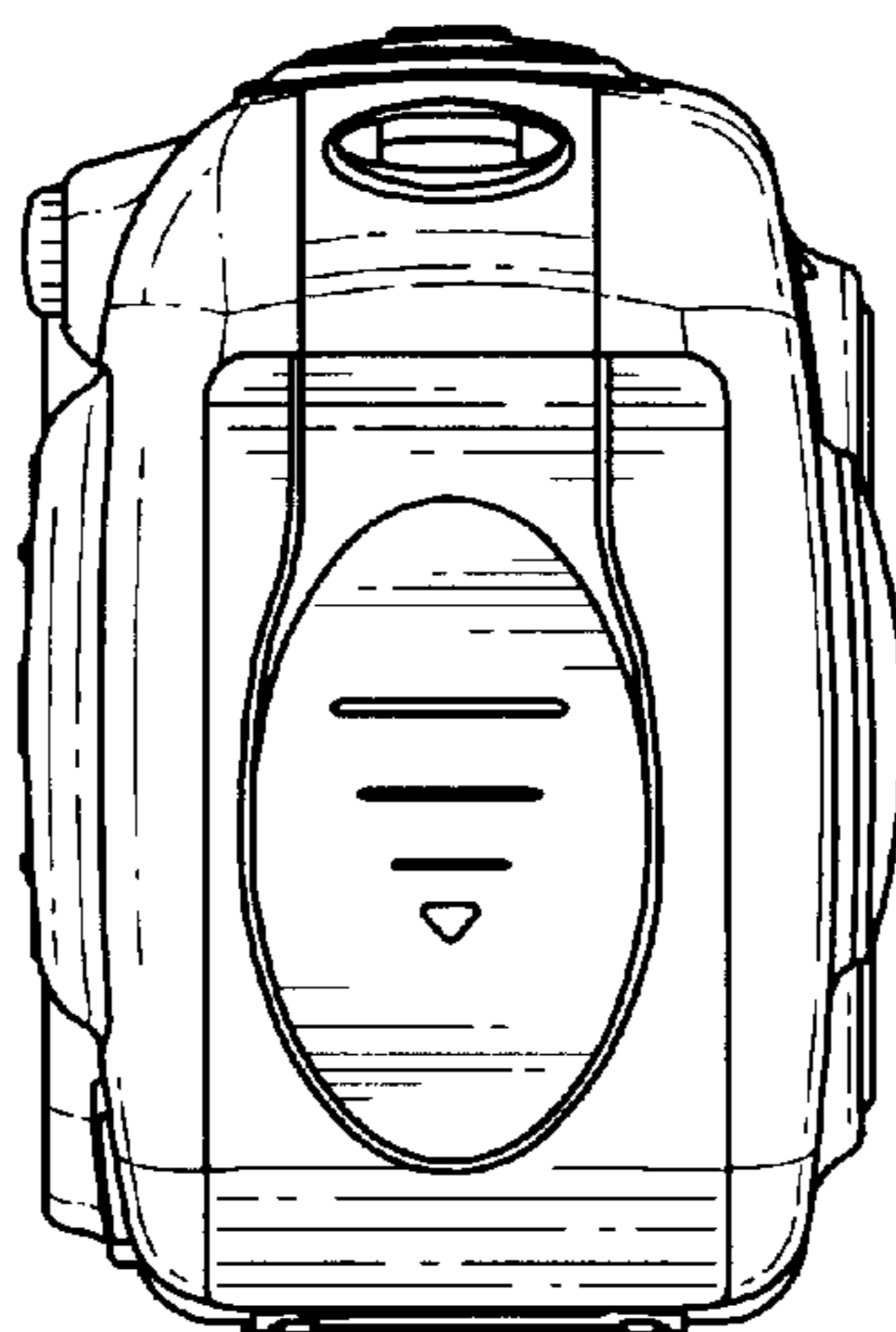


FIG. 5

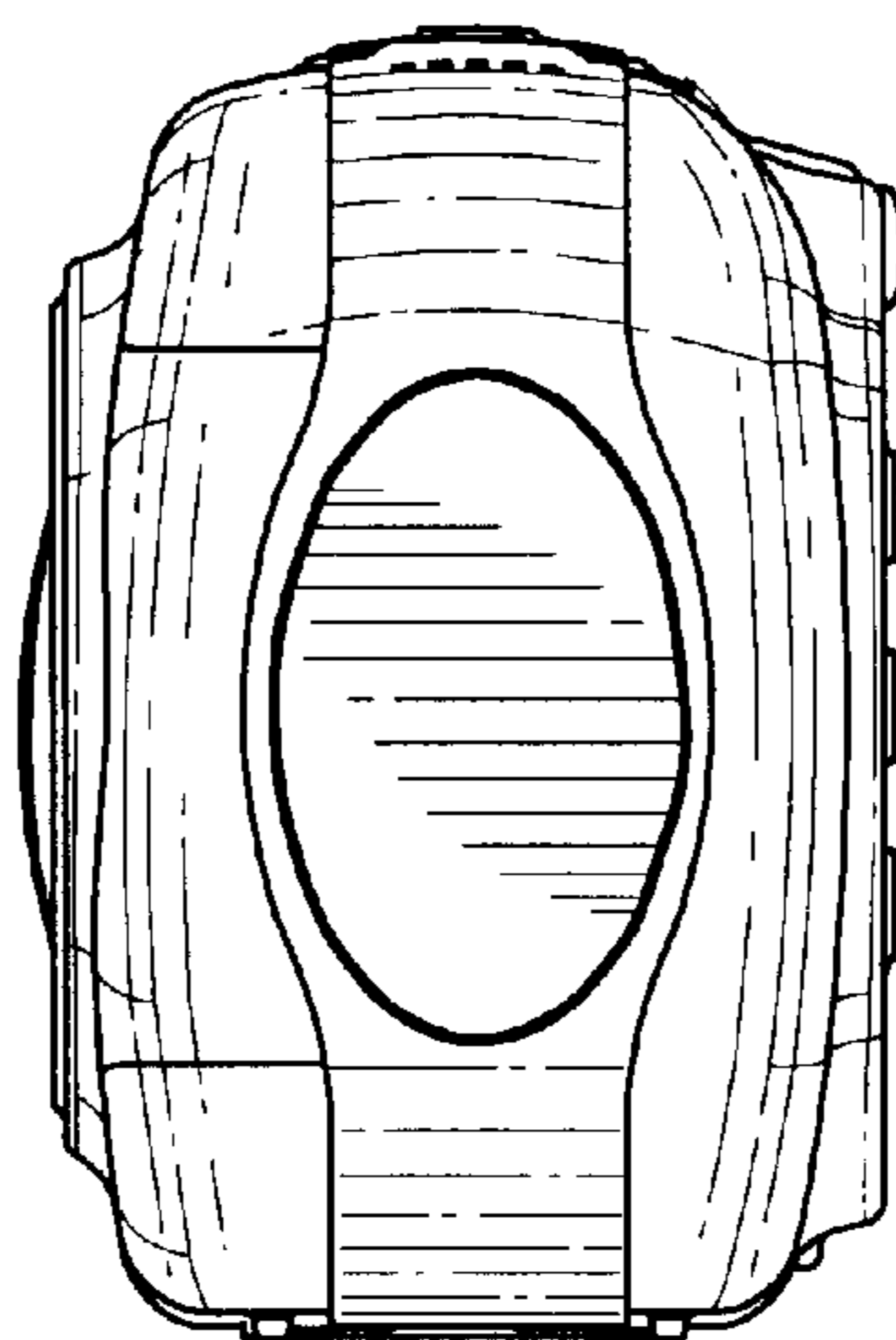




FIG. 6

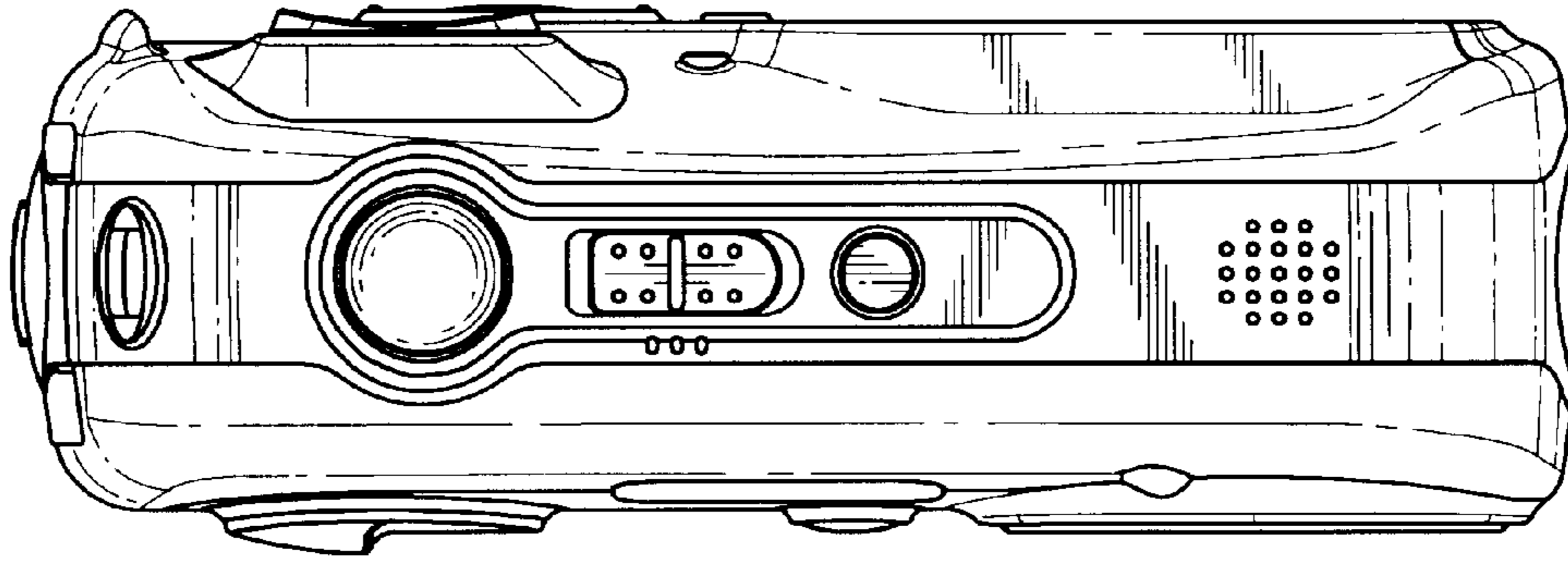


FIG. 7

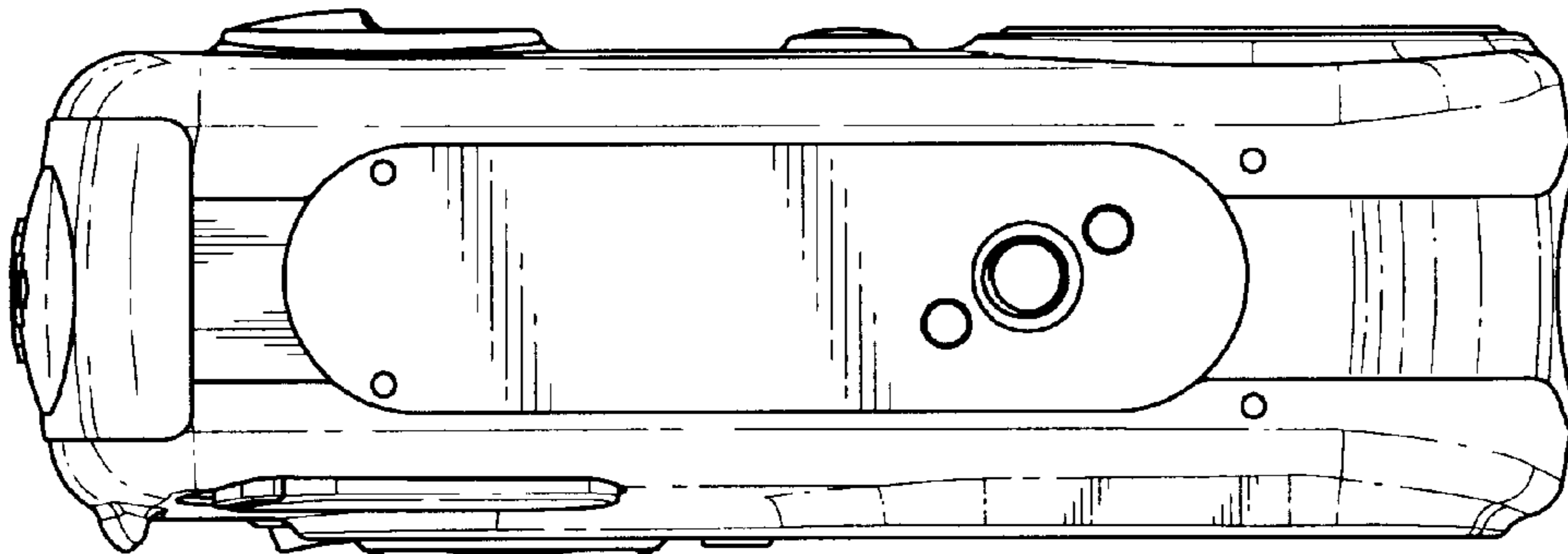


FIG. 8

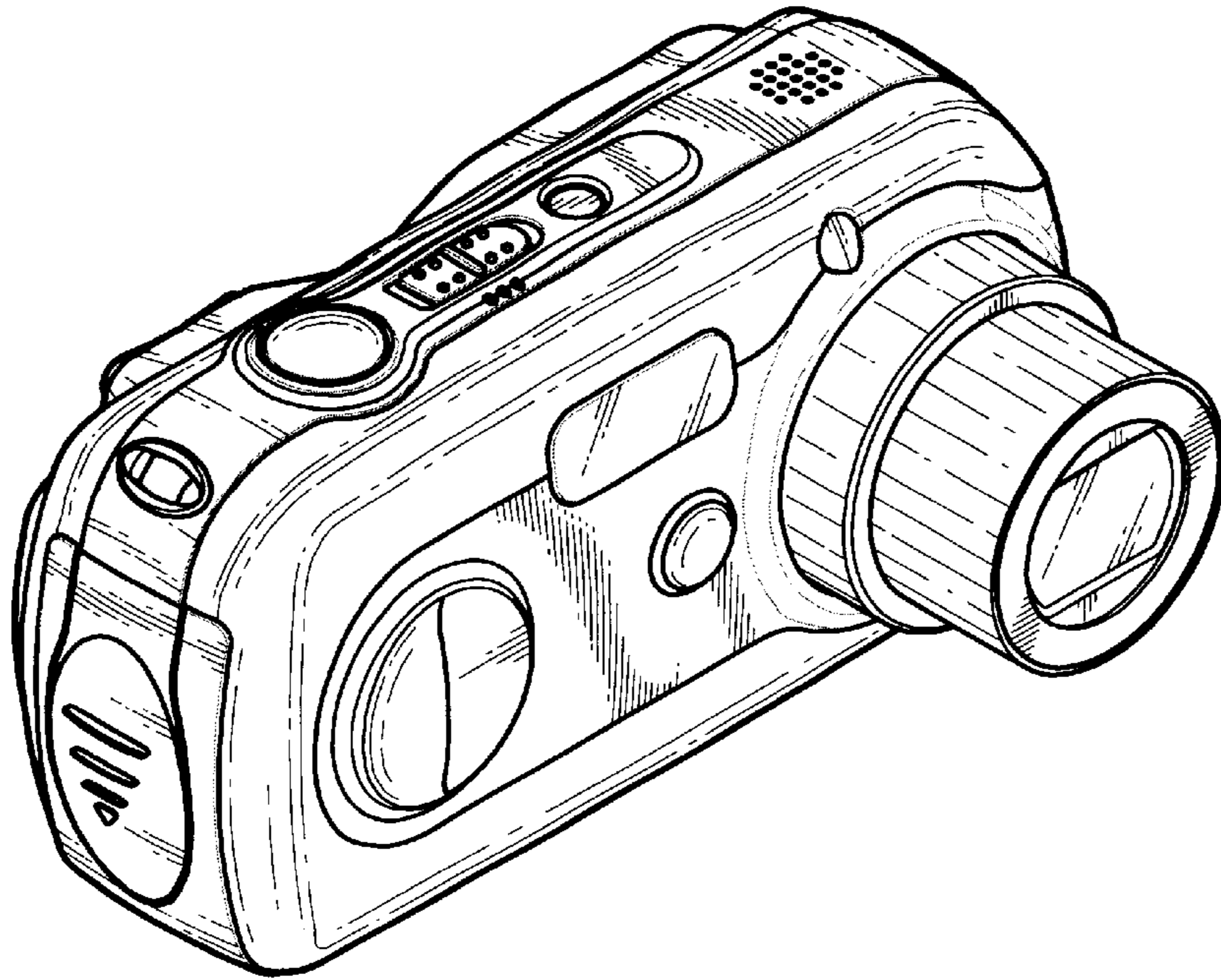


FIG. 9

