

US00D523051S

(12) **United States Design Patent**
Takahashi et al.

(10) **Patent No.:** **US D523,051 S**
(45) **Date of Patent:** **** Jun. 13, 2006**

(54) **DIGITAL STILL CAMERA**

D482,713 S * 11/2003 Hayashi D16/217
D495,727 S * 9/2004 Dow et al. D16/202
D507,586 S * 7/2005 Nakamura D16/202

(75) Inventors: **Koichi Takahashi**, Nagano-ken (JP);
Ritsuo Shikata, Nagano-ken (JP)

FOREIGN PATENT DOCUMENTS

(73) Assignee: **Seiko Epson Corporation**, Tokyo (JP)

JP 107 54 17 6/2000

(**) Term: **14 Years**

* cited by examiner

(21) Appl. No.: **29/210,931**

Primary Examiner—Adir Aronovich

(22) Filed: **Aug. 10, 2004**

(74) *Attorney, Agent, or Firm*—Sughrue Mion, PLLC

(30) **Foreign Application Priority Data**

(57) **CLAIM**

Feb. 10, 2004 (JP) 2004-003334

The ornamental design for a digital still camera, as shown and described.

(51) **LOC (8) Cl.** **16-01**

DESCRIPTION

(52) **U.S. Cl.** **D16/202**

(58) **Field of Classification Search** D16/200–205,
D16/208, 217, 218; 348/373–376; 358/909.1;
396/6, 535, 536–541

FIG. 1 is a perspective view of the top, front and right side of a digital still camera showing our new design; FIG. 2 is a top plan view thereof; FIG. 3 is a front elevational view thereof; FIG. 4 is a rear elevational view thereof; FIG. 5 is a bottom plan view thereof; FIG. 6 is a left side elevational view thereof; and, FIG. 7 is a right side elevational view thereof.

See application file for complete search history.

(56) **References Cited**

U.S. PATENT DOCUMENTS

6,483,991 B1 * 11/2002 Uchiyama et al. 396/6
D466,914 S * 12/2002 Kumakura D16/202

1 Claim, 4 Drawing Sheets

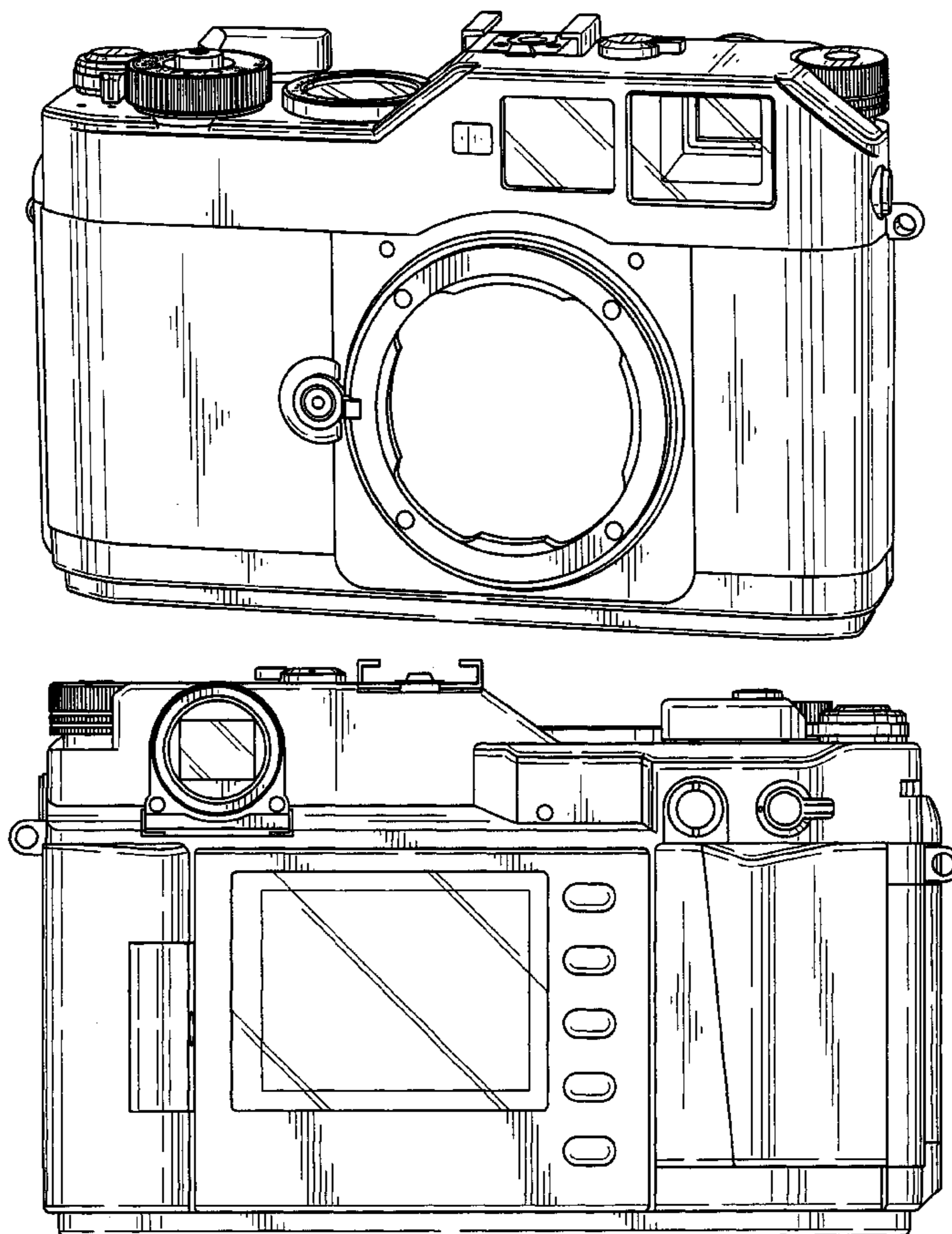


FIG. 1

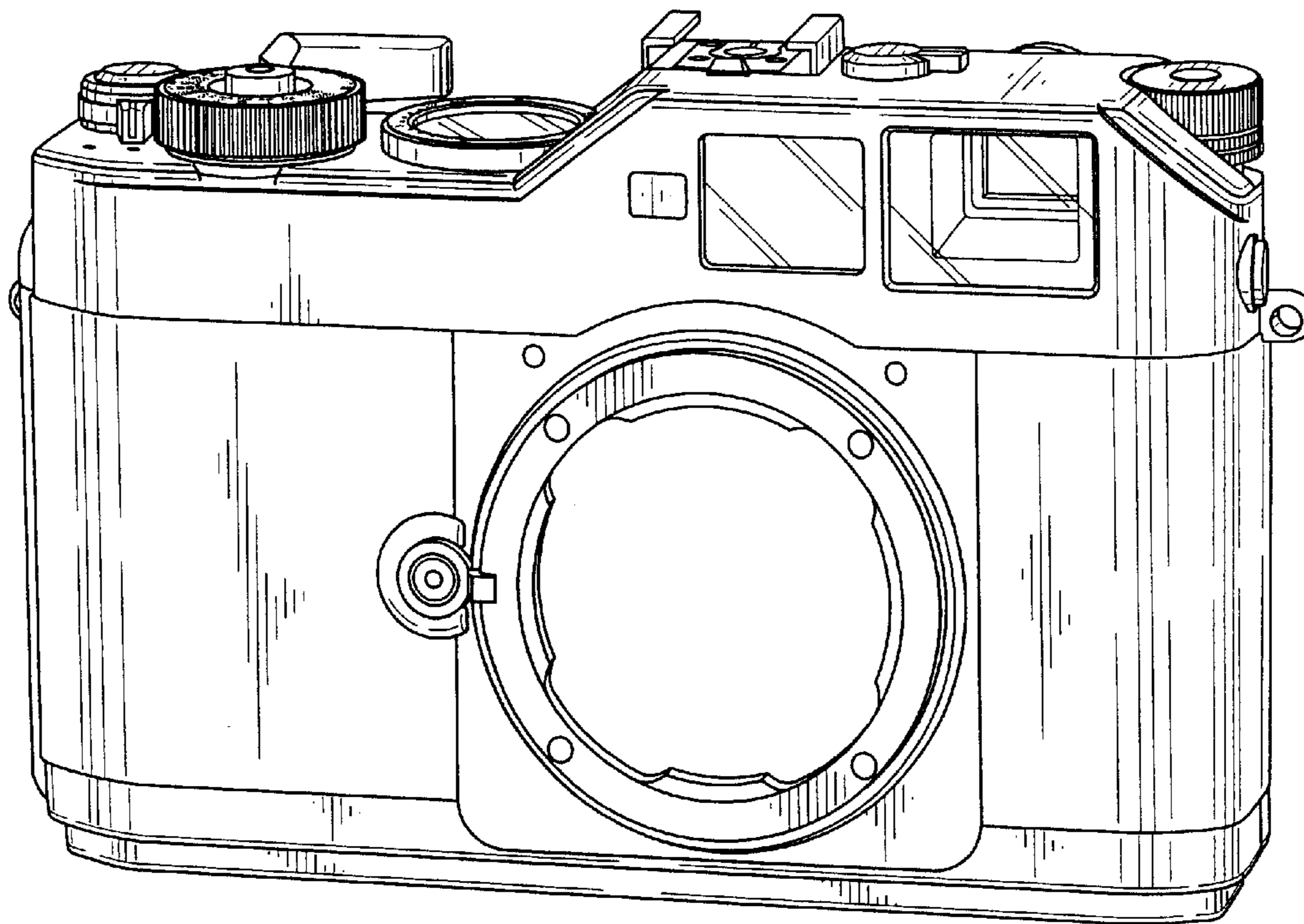


FIG. 2

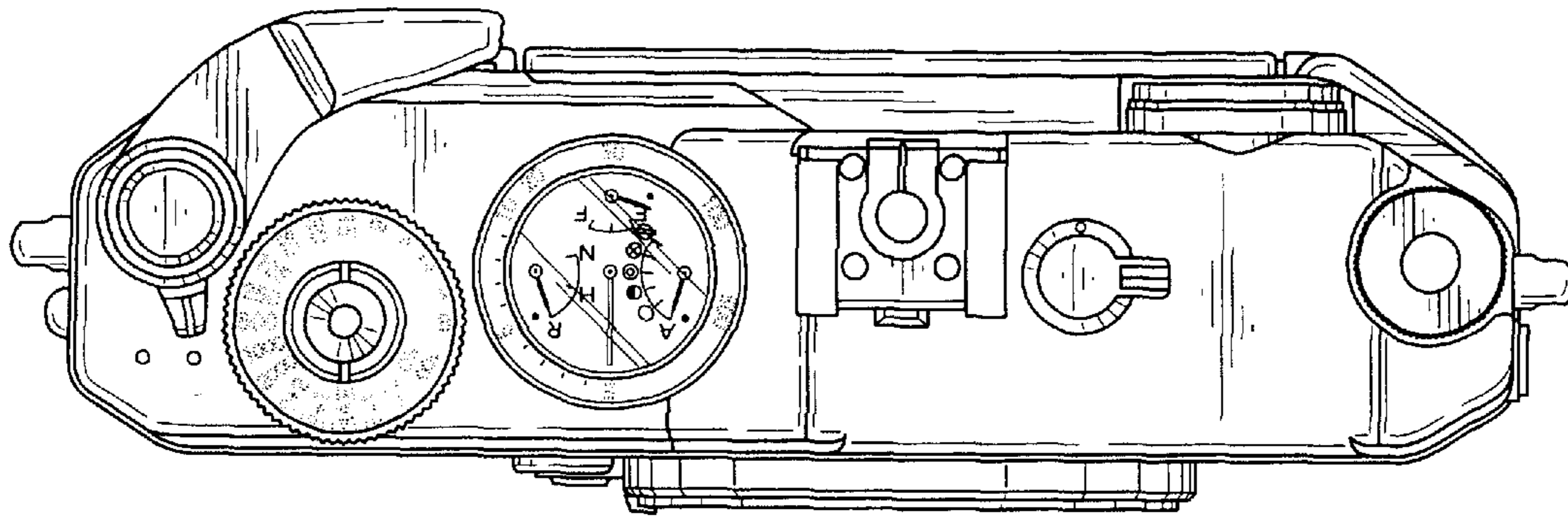


FIG. 3

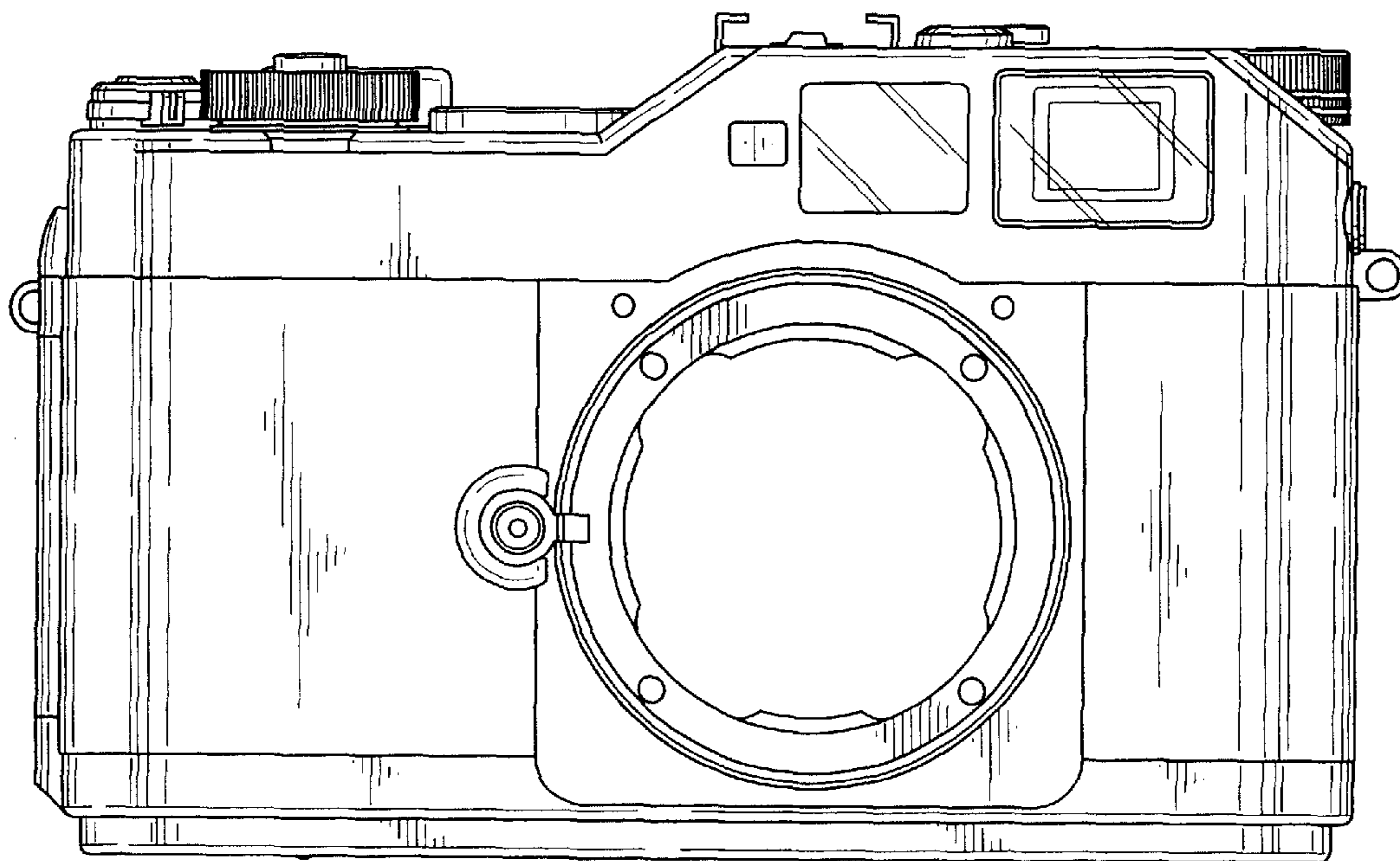


FIG. 4

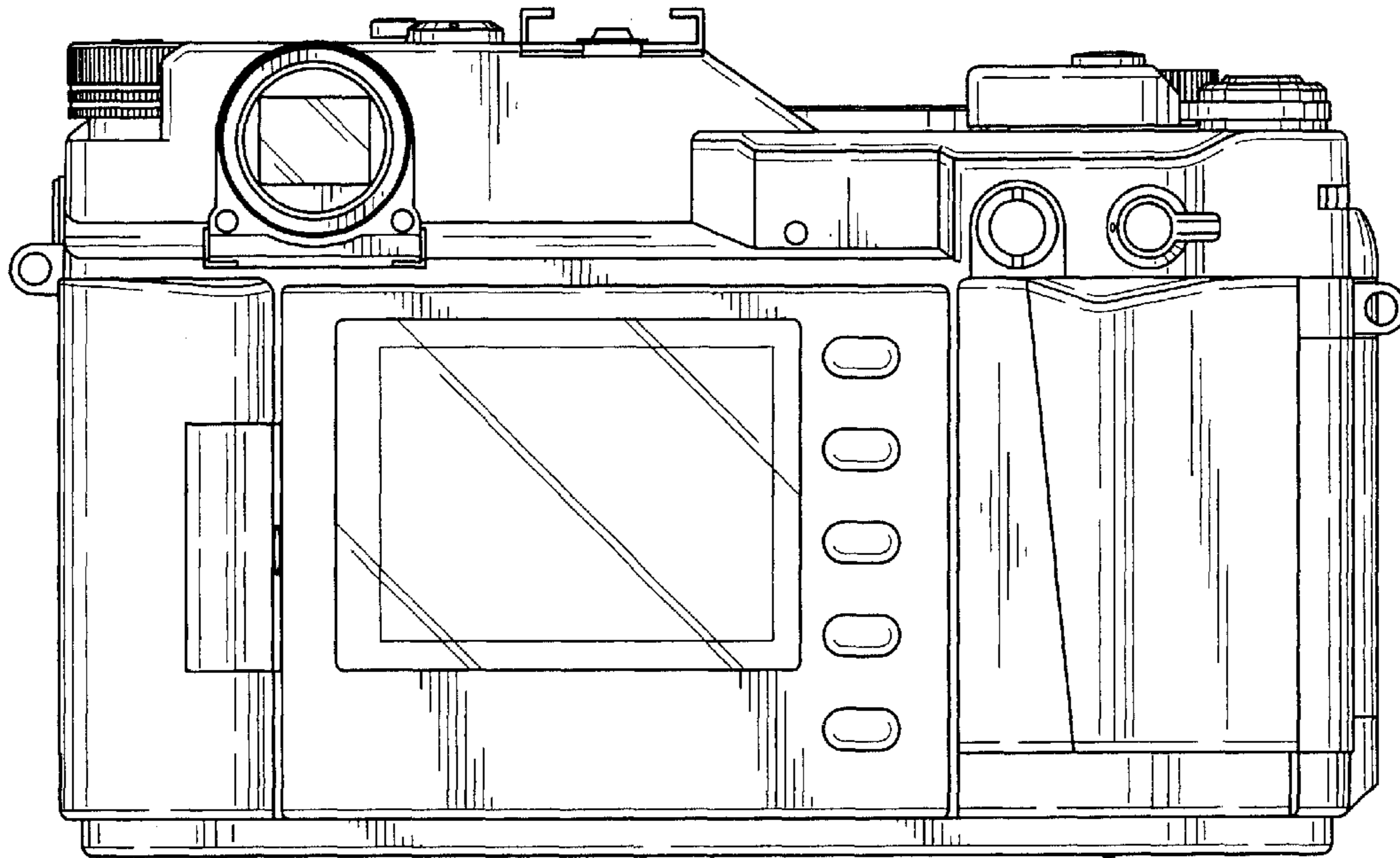


FIG. 5

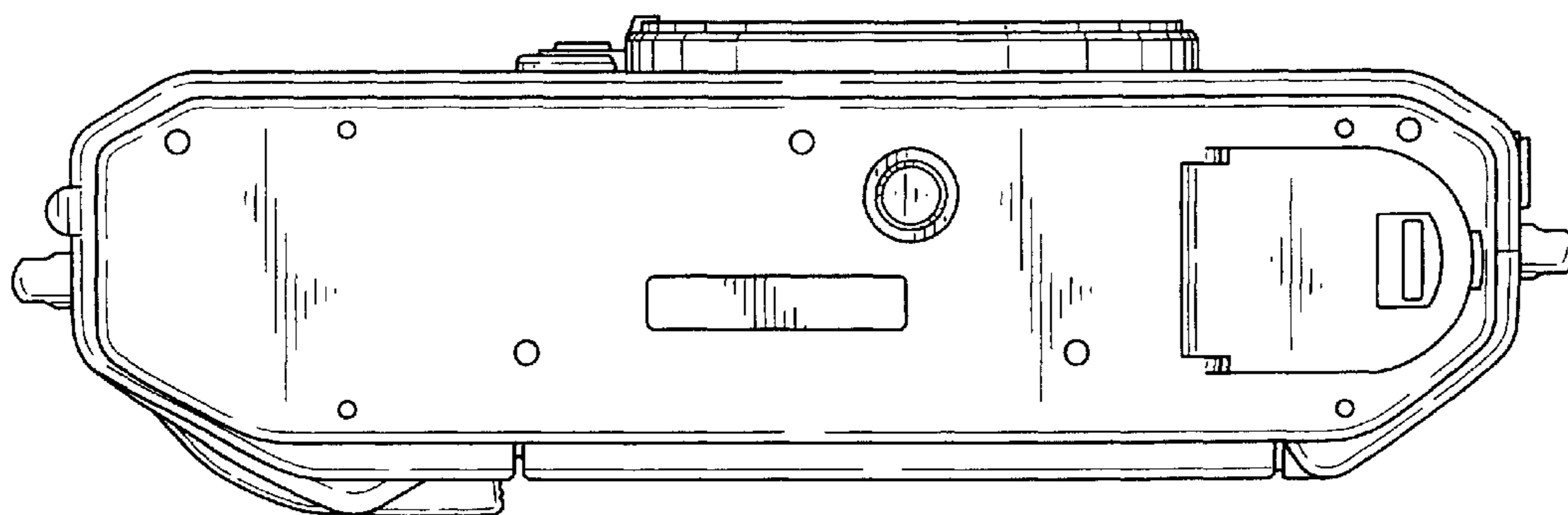


FIG. 6

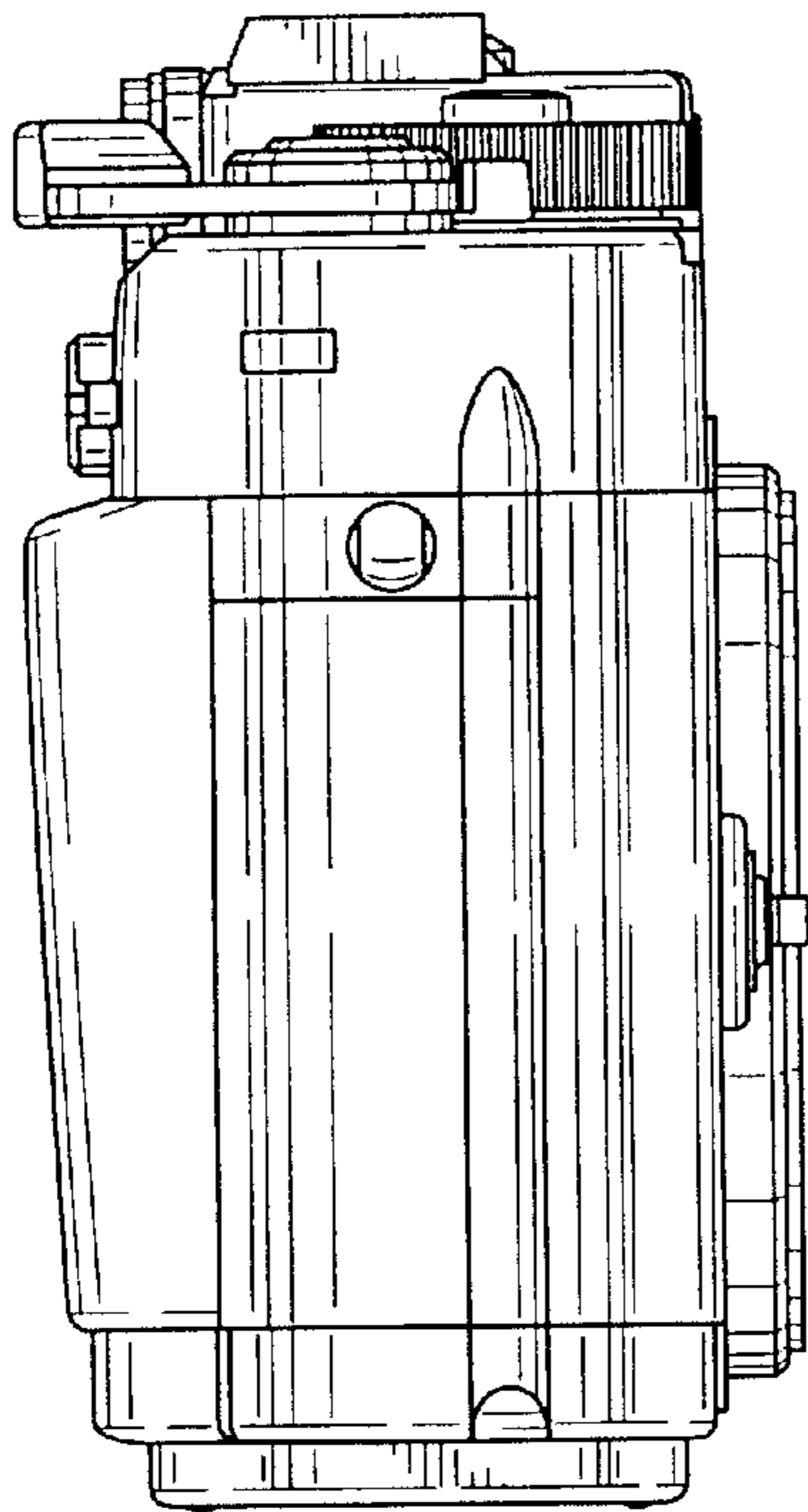


FIG. 7

