

US00D523050S

(12) **United States Design Patent** (10) **Patent No.:** **US D523,050 S**
Bahroocha et al. (45) **Date of Patent:** **** Jun. 13, 2006**

(54) **CAMERA**

(75) Inventors: **Leonard Tan Bahroocha**, Singapore (SG); **Jeff Stoen**, Palo Alto, CA (US)

(73) Assignee: **Creative Technology Ltd**, Singapore (SG)

(**) Term: **14 Years**

(21) Appl. No.: **29/207,224**

(22) Filed: **Jun. 9, 2004**

(51) **LOC (8) Cl.** **16-01**

(52) **U.S. Cl.** **D16/202**

(58) **Field of Classification Search** D16/200–206,
D16/208, 218; 248/121, 918; 348/14.01–14.1,
348/373–376; 358/909.1; 396/535–541

See application file for complete search history.

AMAZON.COM web site featuring Creative Labs Webcam Pro eX for sale, Date first available for sale on Amazon: Nov. 19, 2002, 3 pages.

AMAZON.COM web site featuring Creative Labs WebCam Pro (USB) for sale, Date first available for sale on Amazon: Jun. 18, 2002, 2 pages.

AMAZON.COM web site featuring Ezonics EZ-388 EZCam II with Bonus EZCam II (USB) for sale, Date first available for sale on Amazon: Jun. 18, 2002, 3 pages.

AMAZON.COM web site featuring Logitech QuickCam for Notebooks (961241–0403) for sale, Date first available for sale on Amazon: Aug. 2, 2002, 2 pages.

AMAZON.COM web site featuring Axis 205 Network Camera (90187–004) for sale, Date first available for sale on Amazon: Sep. 19, 2003, 7 pages.

AMAZON.COM web site featuring Ezonics 3 in 1 PC Camera (EZ-306) for sale, Date first available for sale on Amazon: Sep. 29, 2003, 5 pages.

(Continued)

(56) **References Cited**

U.S. PATENT DOCUMENTS

| | | | | | |
|--------------|---|---------|------------------|-------|---------|
| D390,244 S | * | 2/1998 | Yamakawa et al. | | D16/202 |
| D394,274 S | * | 5/1998 | Suzuki | | D16/202 |
| D395,056 S | | 6/1998 | Delaey | | D16/203 |
| 5,855,343 A | | 1/1999 | Krekelberg | | 248/121 |
| D430,587 S | | 9/2000 | Summit | | D16/202 |
| 6,239,841 B1 | * | 5/2001 | Verstockt et al. | | 348/373 |
| D455,164 S | * | 4/2002 | Tsang et al. | | D16/202 |
| D455,767 S | * | 4/2002 | Tsang et al. | | D16/202 |
| D465,504 S | | 11/2002 | Van Klinken | | D16/203 |
| D500,067 S | * | 12/2004 | Liu | | D16/202 |
| D507,007 S | * | 7/2005 | Sitoh et al. | | D16/202 |
| D511,181 S | * | 11/2005 | Huang et al. | | D16/202 |

OTHER PUBLICATIONS

AMAZON.COM web site featuring Creative Labs PD1110 Webcam NX for sale, Date first available for sale on Amazon: Jun. 1, 2003, 3 pages.

AMAZON.COM web site featuring Creative Labs PD1130 Webcam NX for sale, Date first available for sale on Amazon: May 25, 2003, 3 pages.

Primary Examiner—Adir Aronovich

(74) *Attorney, Agent, or Firm*—P. Francois de Villiers

(57) **CLAIM**

The ornamental design for a camera, substantially as shown and described.

DESCRIPTION

FIG. 1 is a front perspective view of a camera in accordance with the present design;

FIG. 2 is a front elevational view thereof;

FIG. 3 is a rear elevational view thereof;

FIG. 4 is a left side elevational view thereof;

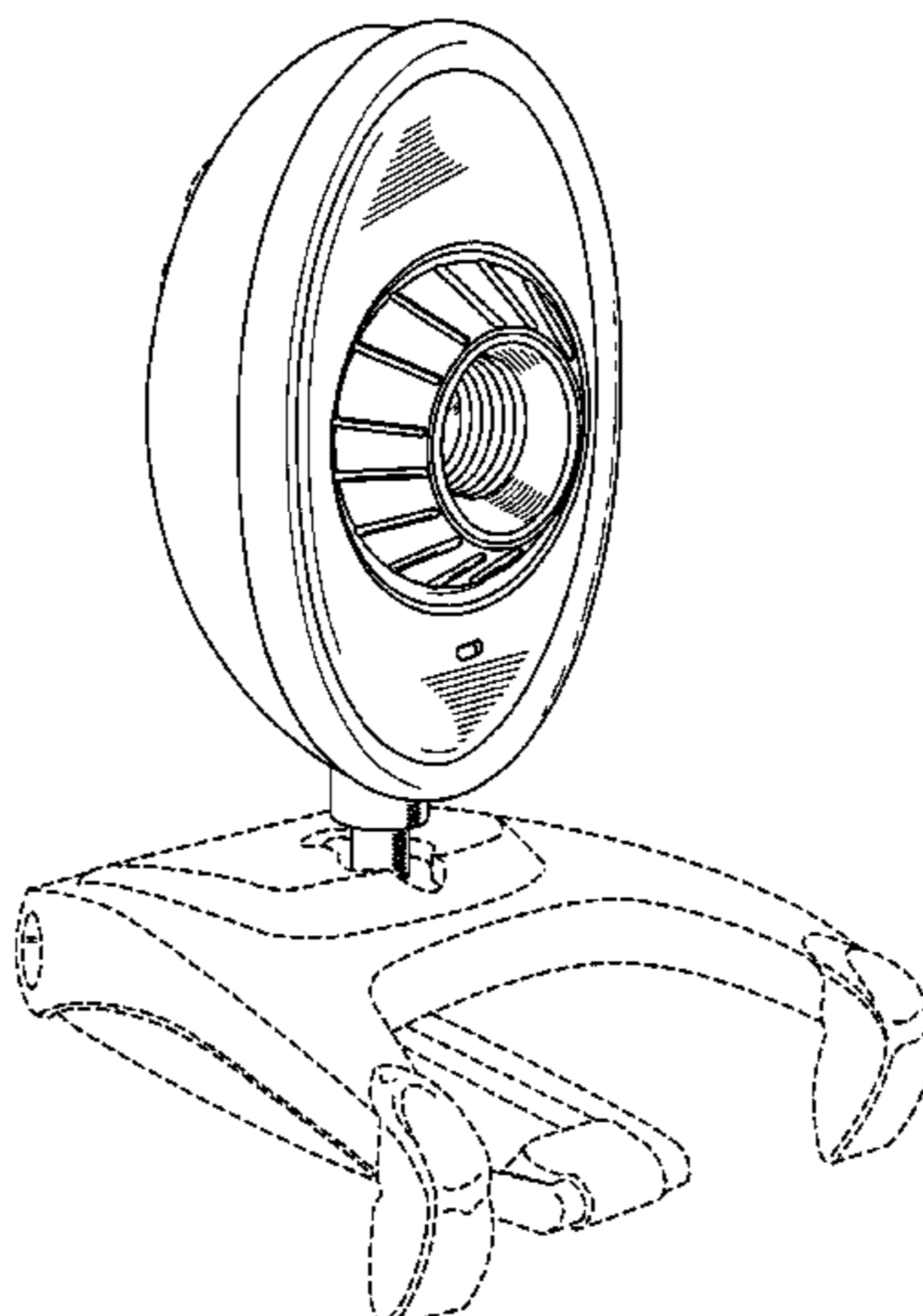
FIG. 5 is a right side elevational view thereof;

FIG. 6 is a top plan view thereof; and,

FIG. 7 is a bottom plan view thereof.

The phantom dashed lines (broken lines) showing the camera base are for illustrative purposes only and form no part of the claimed design.

1 Claim, 4 Drawing Sheets



OTHER PUBLICATIONS

AMAZON.COM web site featuring Intel Easy PC Camera Pack for sale, Date first available for sale on Amazon: not known, 4 pages.

AMAZON.COM web site featuring Labtec WebCam (USB) for sale, Date first available for sale on Amazon: Apr. 16, 2002, 7 pages.

AMAZON.COM web site featuring Micro Innovations Webcam Metallic (IC150C) for sale, Date first available for sale on Amazon: Jul. 3, 2003, 4 pages.

AMAZON.COM web site featuring Orange Micro iBOT2 USB 2.0 Webcam for sale, Date first available for sale on Amazon: Nov. 11, 2002, 6 pages.

AMAZON.COM web site featuring Philips PCVC690K Vesta Pro Scan Internet WebCam, Date first available for sale on Amazon: not known, 4 pages.

AMAZON.COM web site featuring Veo Connect Web Camera (USB) for sale, Date first available for sale on Amazon: Jun. 21, 2002, 6 pages.

AMAZON.COM web site featuring Veo Stingray Web Camera (USB) for sale, Date first available for sale on Amazon: Jun. 21, 2002, 7 pages.

AMAZON.COM web site featuring Veo Velocity Connect Web Camera (USB) for sale, Date first available for sale on Amazon: Nov. 11, 2002, 7 pages.

AMAZON.COM web site featuring Veo Velocity Connect Web Camera (USB), Date first available for sale on Amazon: not known, 4 pages.

Axis Communications—AXIS 211 Network Camera web site printed on Aug. 25, 2004, 2 pages.

BAAZEE.COM web site featuring ADCOM WebCam with 320 × 240 pixel CMOS Sensor printed on Aug. 24, 2004, 3 pages.

BAAZEE.COM web site featuring D-Link Streaming USB PC Webcam printed on Aug. 24, 2004, 4 pages.

BAAZEE.COM web site featuring Frontech Web Camera printed on Aug. 24, 2004, 4 pages.

Baazee.com web site featuring O'Rite My-Cam MY350 printed on Aug. 24, 2004, 4 pages.

ELECTRONICACCESSORY.COM web site featuring Philips ¼" Color CCD Camera for Phillips Observation Systems printed on Aug. 24, 2004, 1 page.

Micro Product Lineup web site printed on Aug. 25, 2004, 3 pages.

NCLSECURITY.COM featuring Axis 2100 Network Camera printed on Aug. 25, 2004, 2 pages.

NCLSECURITY.COM featuring Axis 2120 Network Camera printed on Aug. 25, 2004, 2 pages.

NCLSECURITY.COM featuring Axis 2130 PTZ Network Camera printed on Aug. 25, 2004, 2 pages.

NETGIFT.COM web site featuring Philips ¼in Color CCD Camera for Phillips Observation for Phillips Observation Systems: Surveillance Collection printed on Aug. 25, 2004, 1 page.

Philips—PC Cameras web site printed on Aug. 24, 2004, 2 pages.

Philips Quick Reference Manual: Vesta Pro Scan Pagecam 2.1; Jun. 8, 2000.

Sony press release: Sony Introduces Network Video Camera for Remot Monitoring and Web-Based Attractions; released Jun. 12, 2002.

Sony product brochure: Network Color Camera SNC-RZ30N (NTSC); printed Aug., 2002.

TECHBARGAINS.COM web site featuring Axis Communication Axis 2100 Standalone Network Camera—10/100BT RJ45 RS232 TCP/IP printed on Aug. 23 2004.

TECHBARGAINS.COM web site featuring Micro Innovations Webcam Basic PC Video Camera w/ Desktop Mount printed on Aug. 23, 2004, 2 pages.

TECHBARGAINS.COM web site featuring Micro Innovations Webcam PC Camera w/ Custom Faceplates printed on Aug. 23, 2004, 2 pages.

THETWISTERGROUP.COM web site featuring Philips/Magnavox ¼" Color CCD Camera with 3MM Lens printed on Aug. 25, 2004, 1 page.

* cited by examiner

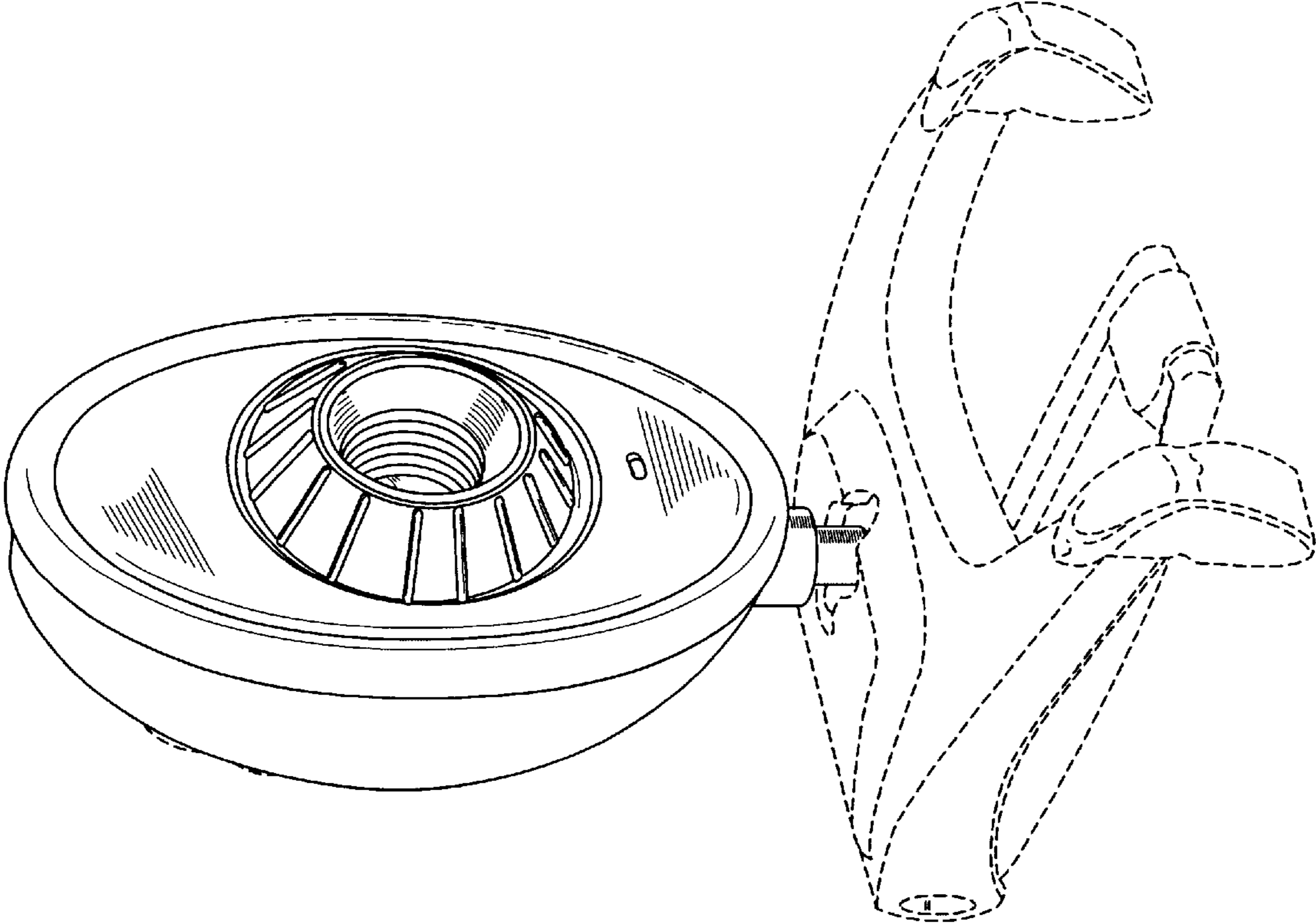


FIG. 1

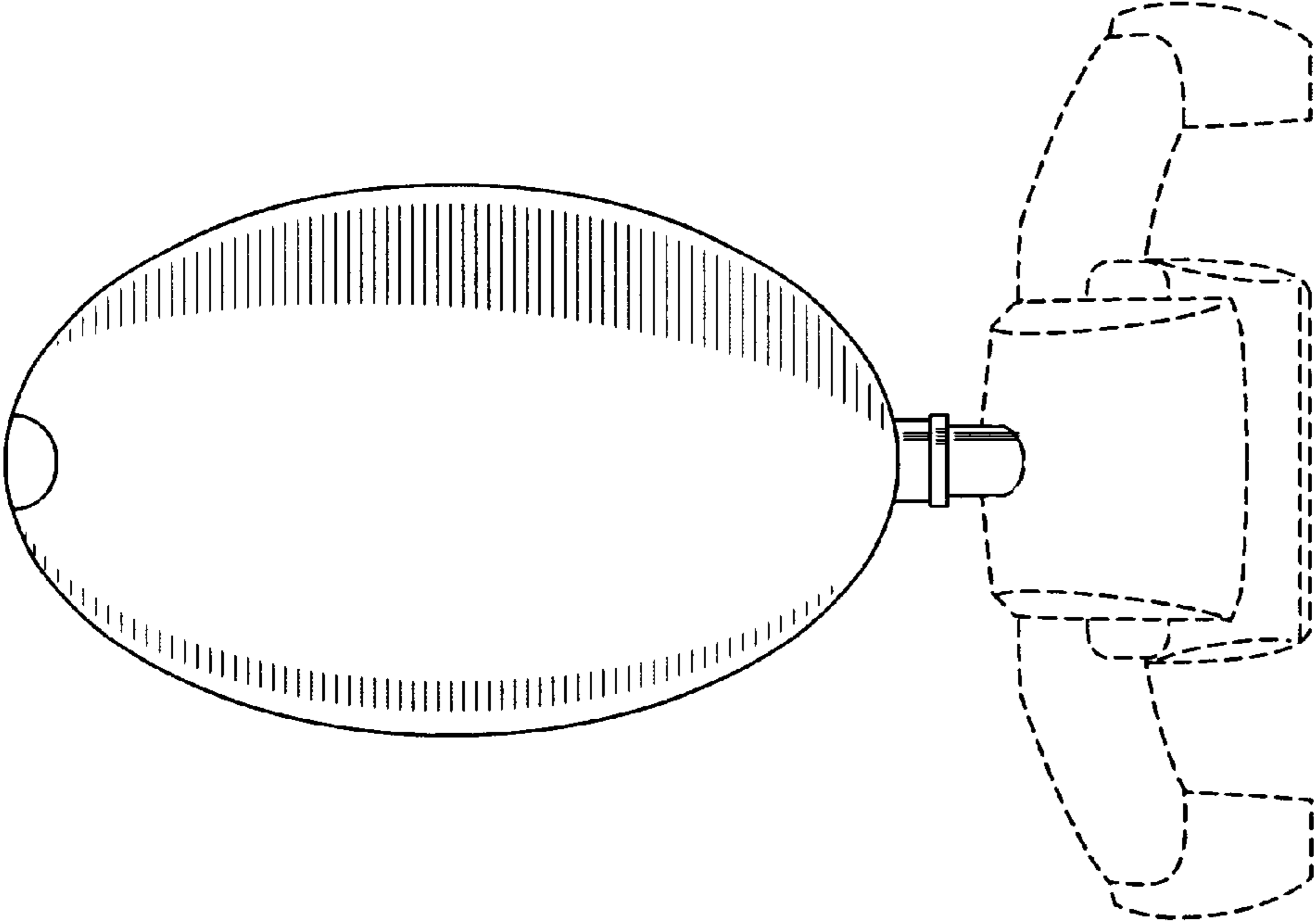


FIG. 3

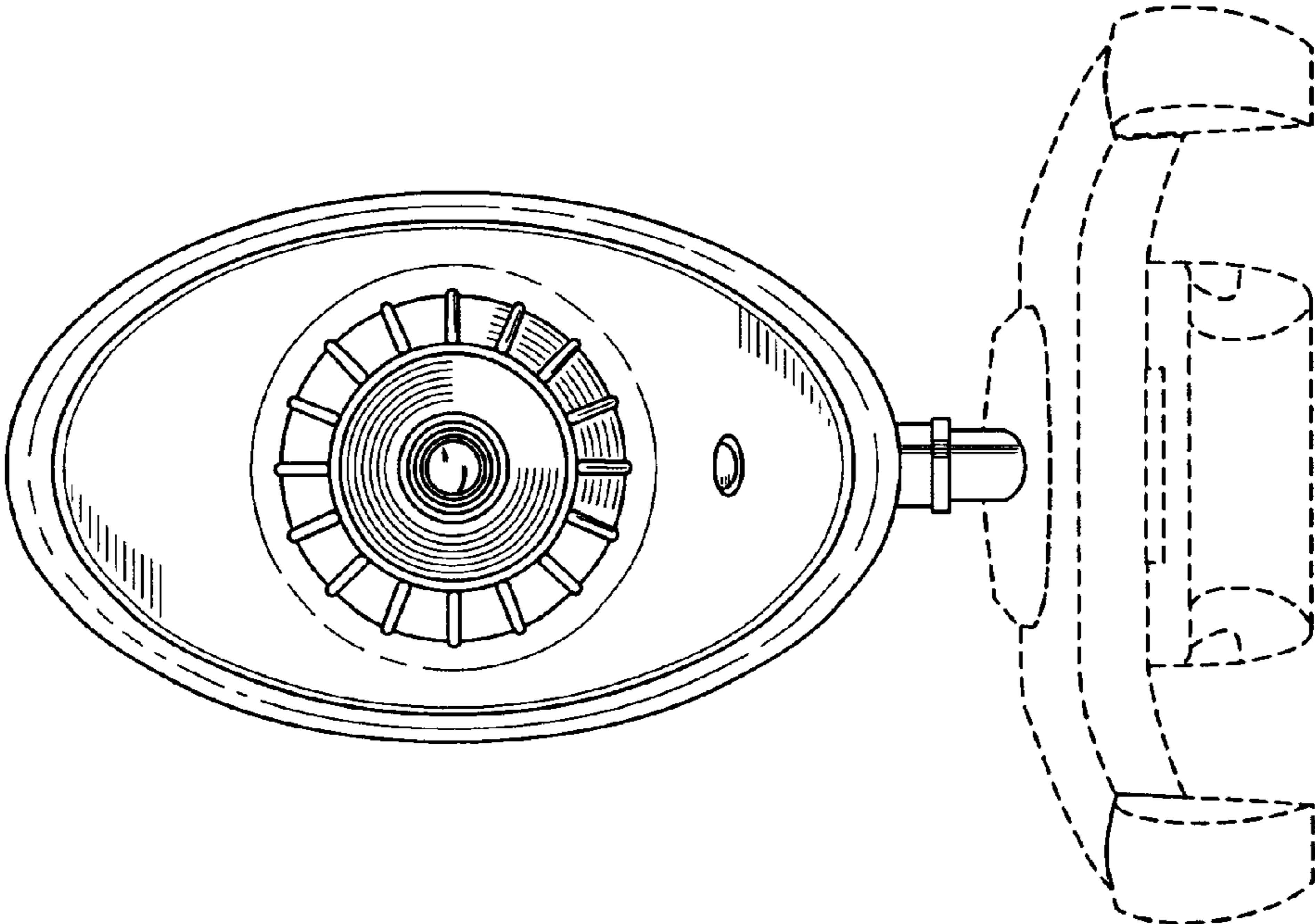


FIG. 2

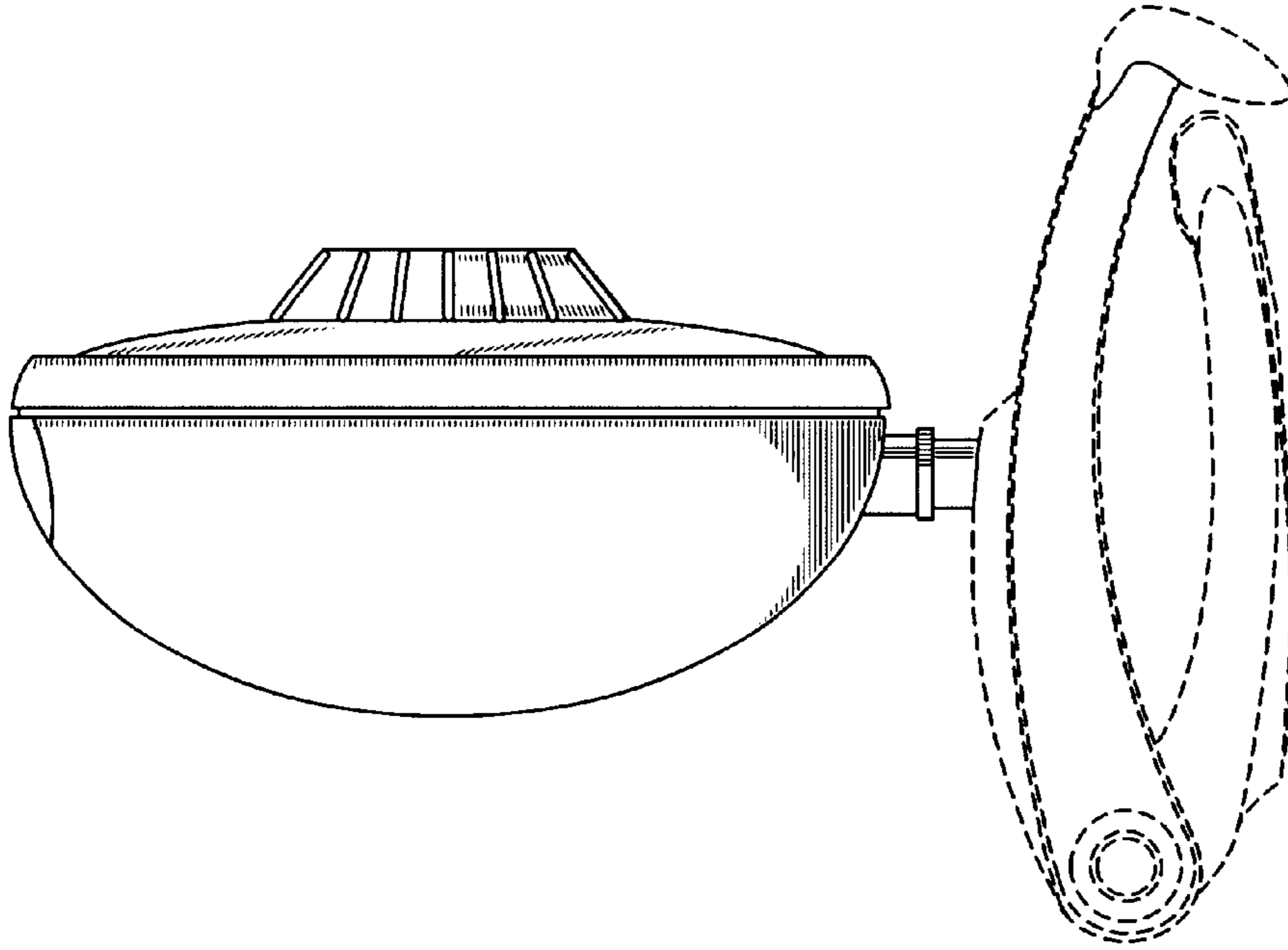


FIG. 5

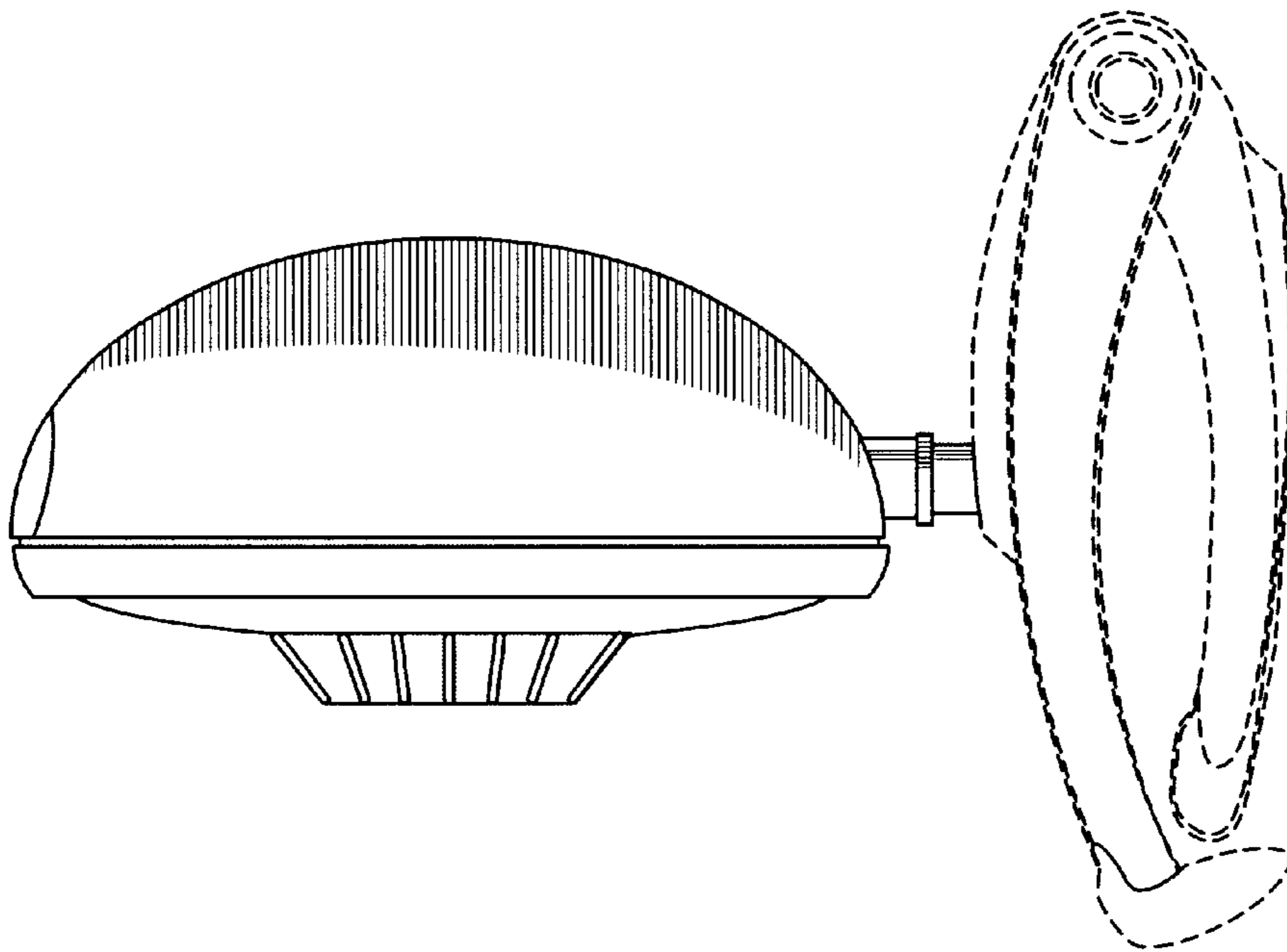


FIG. 4

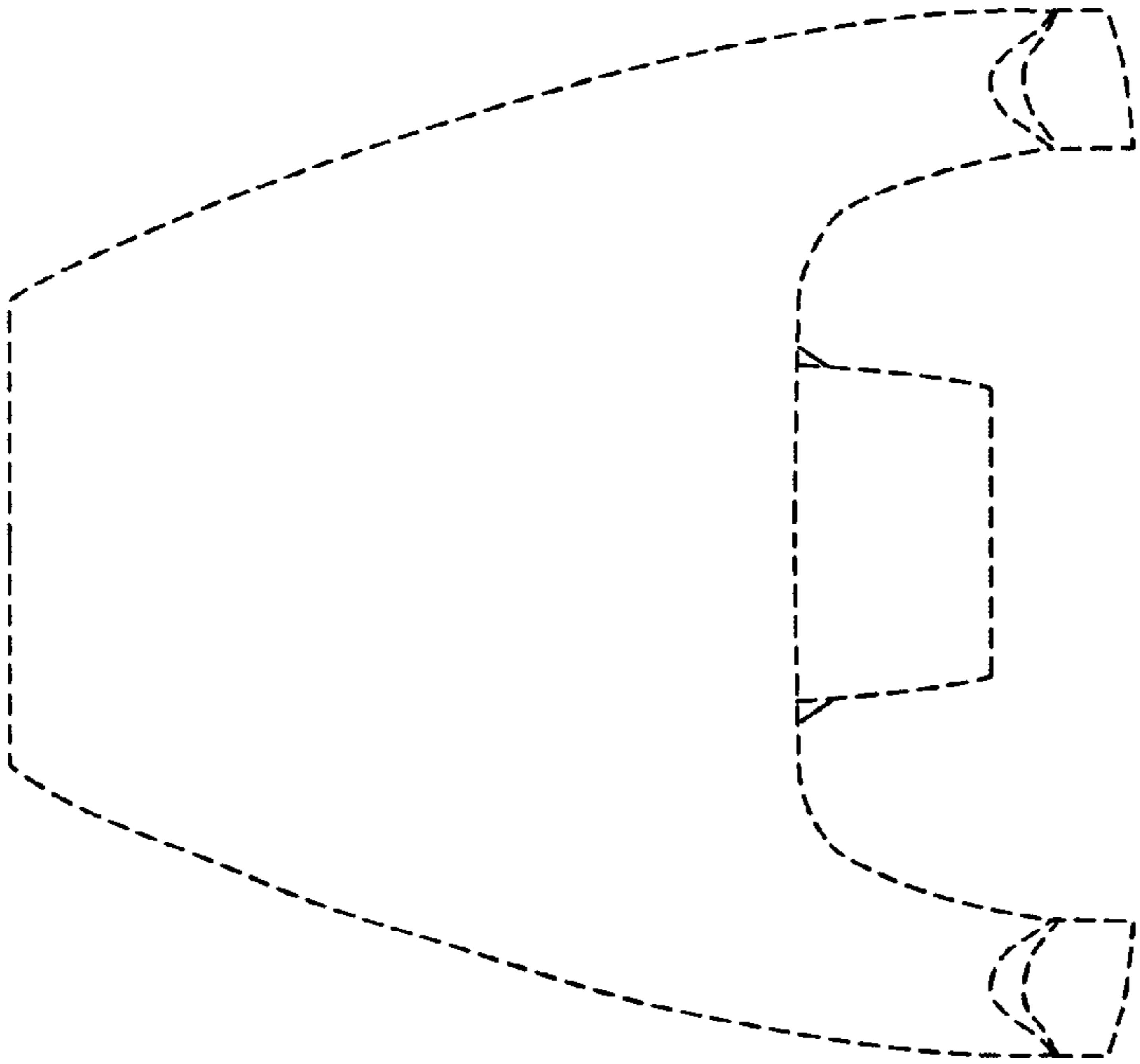


FIG. 7

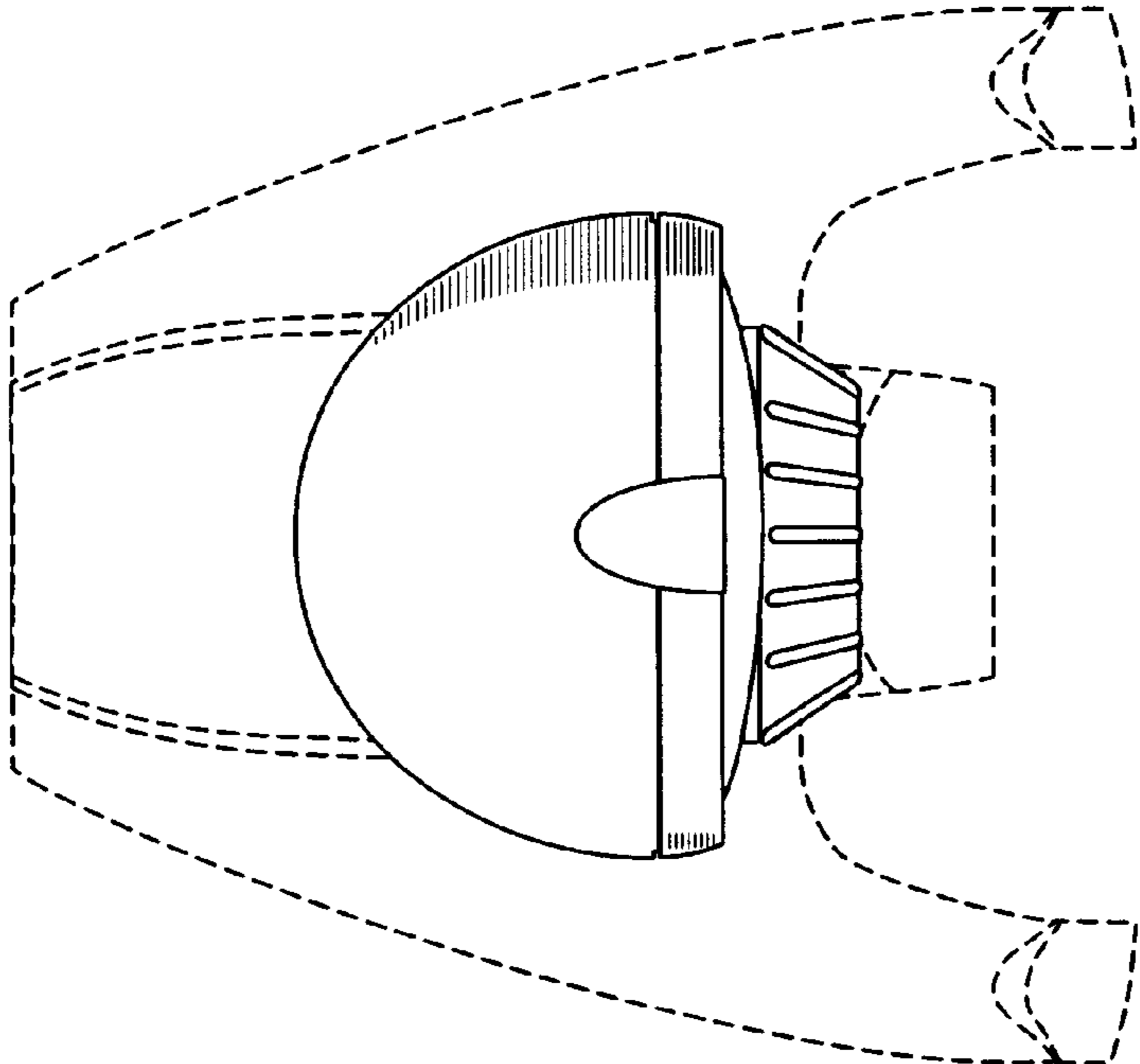


FIG. 6