



US00D523048S

(12) **United States Design Patent**
Hayashi

(10) **Patent No.:** **US D523,048 S**
(45) **Date of Patent:** **** Jun. 13, 2006**

(54) **BINOCULARS**

(75) Inventor: **Tatsuyuki Hayashi**, Saitama (JP)
(73) Assignee: **PENTAX Corporation**, Tokyo (JP)
(**) Term: **14 Years**

(21) Appl. No.: **29/230,817**
(22) Filed: **May 27, 2005**

(30) **Foreign Application Priority Data**

Dec. 1, 2004 (JP) 2004-036643

(51) **LOC (8) Cl.** **16-06**
(52) **U.S. Cl.** **D16/133**
(58) **Field of Classification Search** D16/130,
D16/132, 133, 136, 202, 218; 359/407, 408,
359/409, 410, 411, 412, 413, 414, 415, 416,
359/417, 418, 419, 420
See application file for complete search history.

(56) **References Cited**

U.S. PATENT DOCUMENTS

D364,635 S * 11/1995 Chapman et al. D16/218
D412,177 S * 7/1999 Fujii D16/133
D457,541 S * 5/2002 Hayashi D16/133
D464,072 S * 10/2002 Huang D16/202
D508,705 S * 8/2005 Hayamizu D16/133

FOREIGN PATENT DOCUMENTS

JP 1244133 S 6/2005

OTHER PUBLICATIONS

U.S. Appl. No. 29/230,816, filed May 27, 2005, Tatsuyuki Hayashi.

* cited by examiner

Primary Examiner—Paula A. Greene

(74) *Attorney, Agent, or Firm*—Sughrue Mion, PLLC

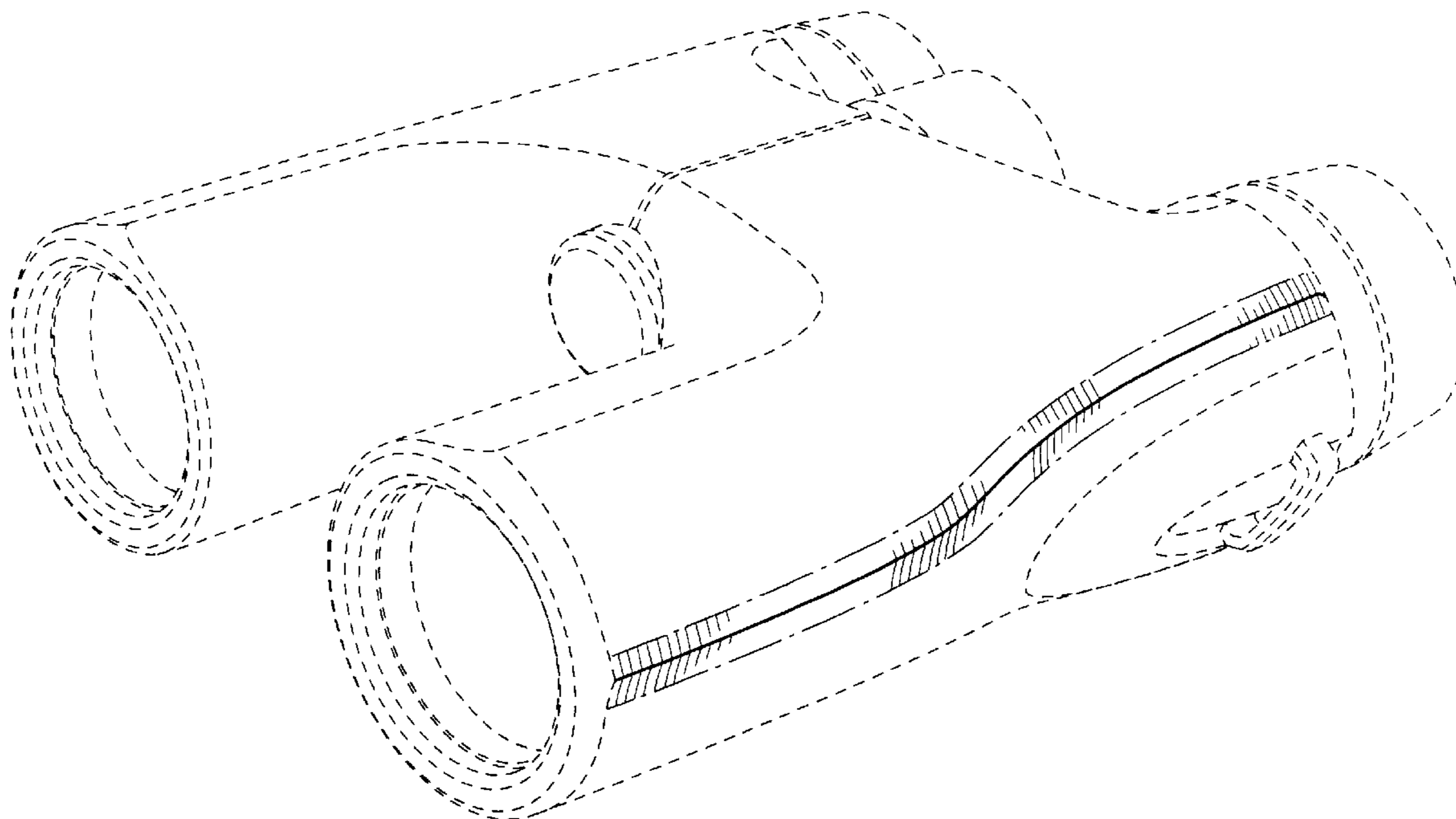
(57) **CLAIM**

The ornamental design for binoculars, as shown and described.

DESCRIPTION

FIG. 1 is a perspective view of the top, front and right side of binoculars showing my new design;
FIG. 2 is a perspective view of the bottom, rear and left side thereof;
FIG. 3 is a front elevational view thereof;
FIG. 4 is a rear elevational view thereof;
FIG. 5 is a right side elevational view thereof, the left side being a mirror image;
FIG. 6 is a top plan view thereof; and,
FIG. 7 is a bottom plan view thereof.
The portions shown in broken lines are for illustrative purposes only and form no part of the claimed design.

1 Claim, 6 Drawing Sheets



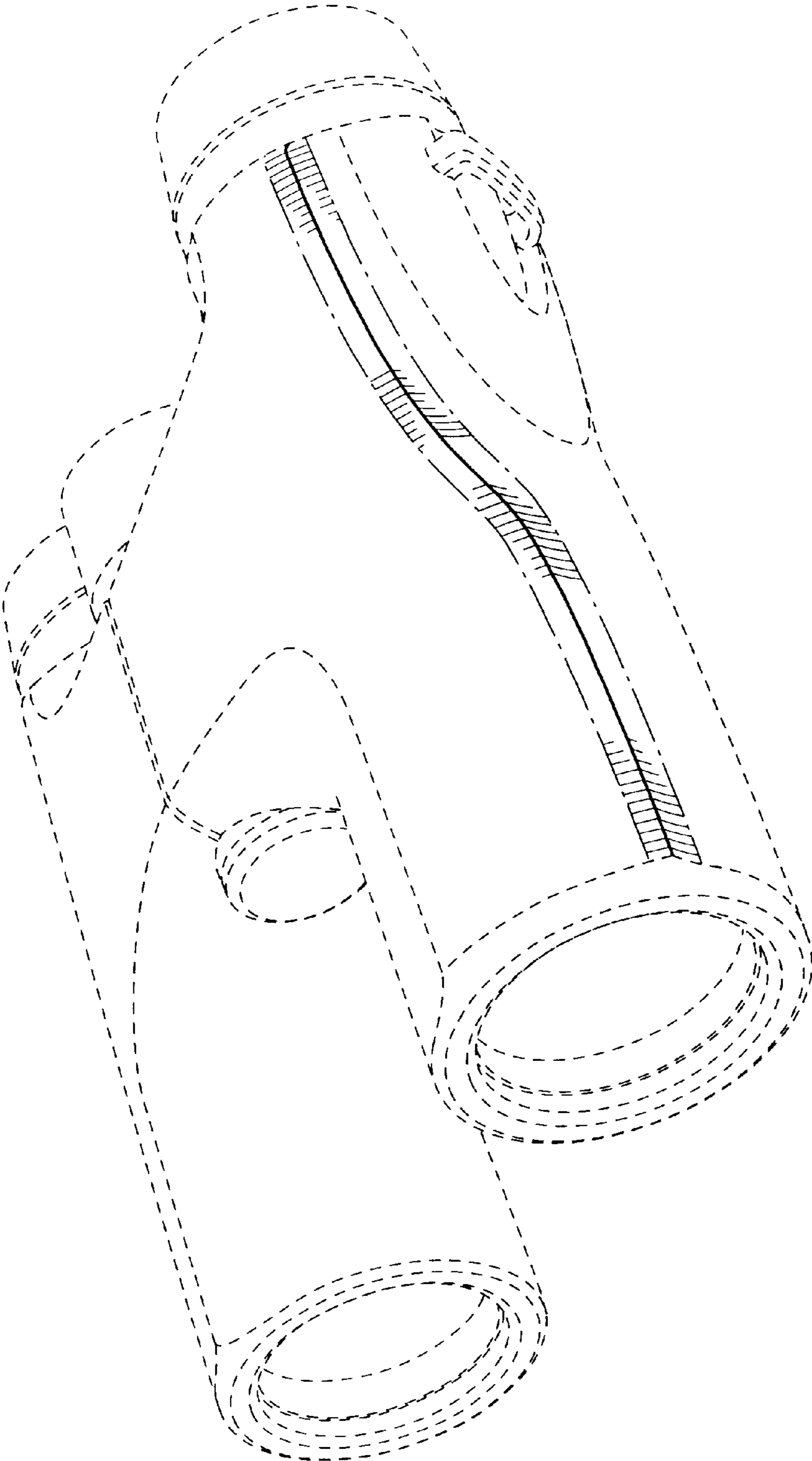


FIG. 1

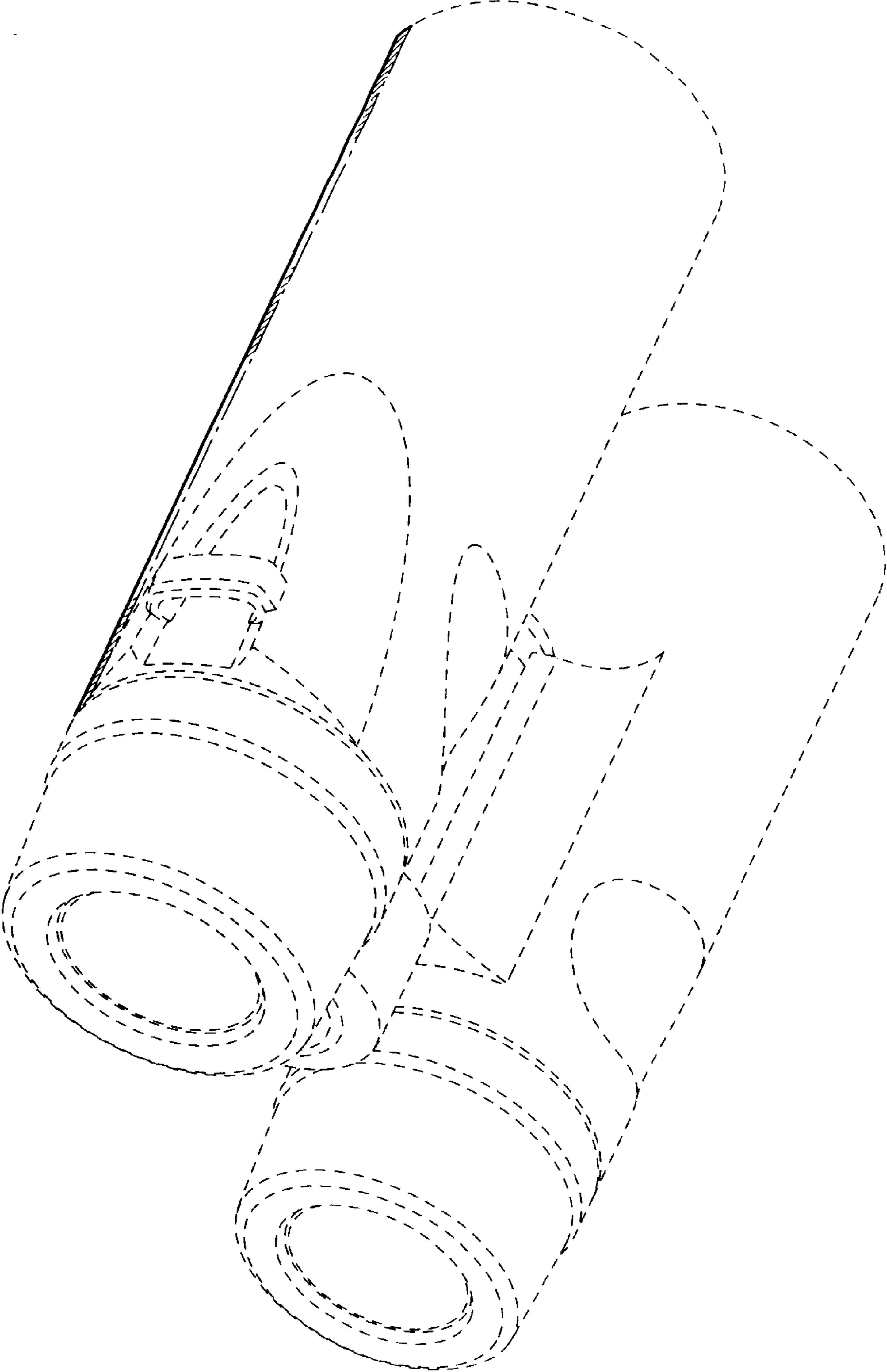


FIG. 2

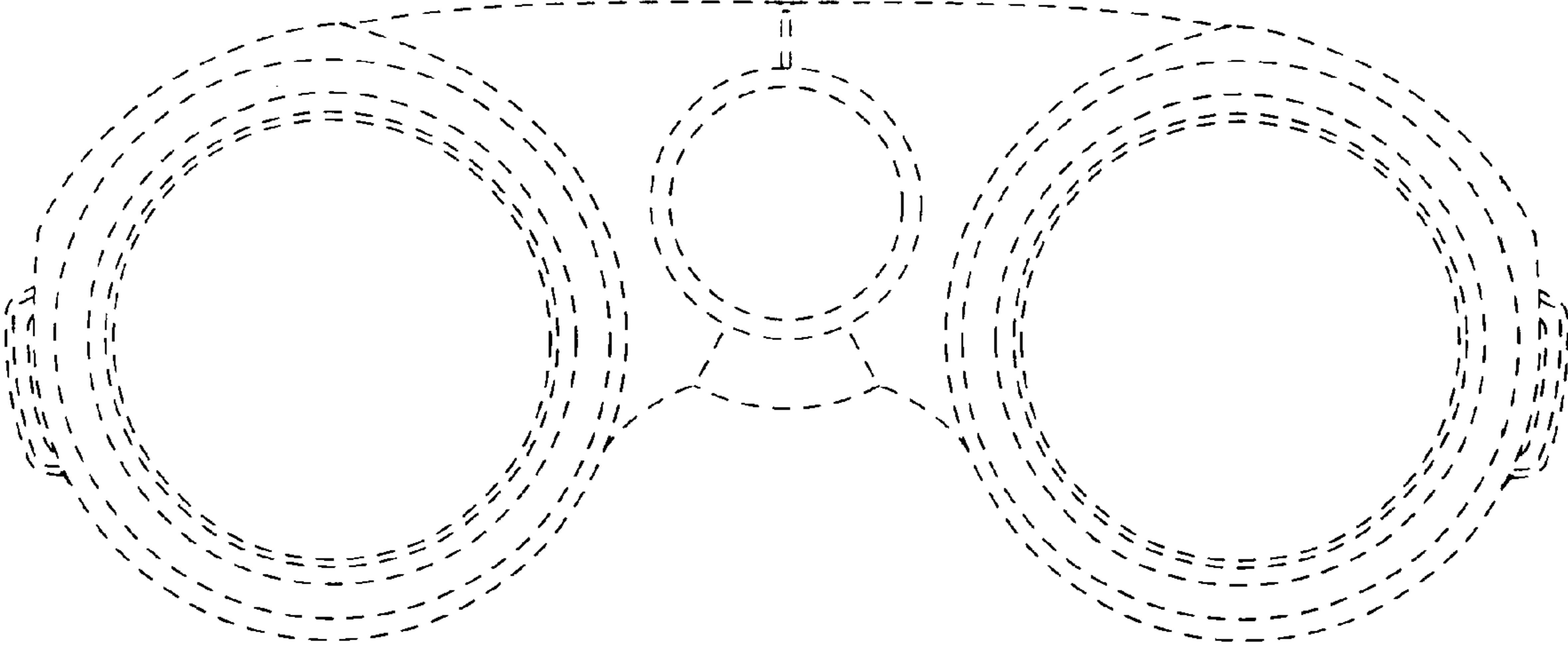


FIG. 3

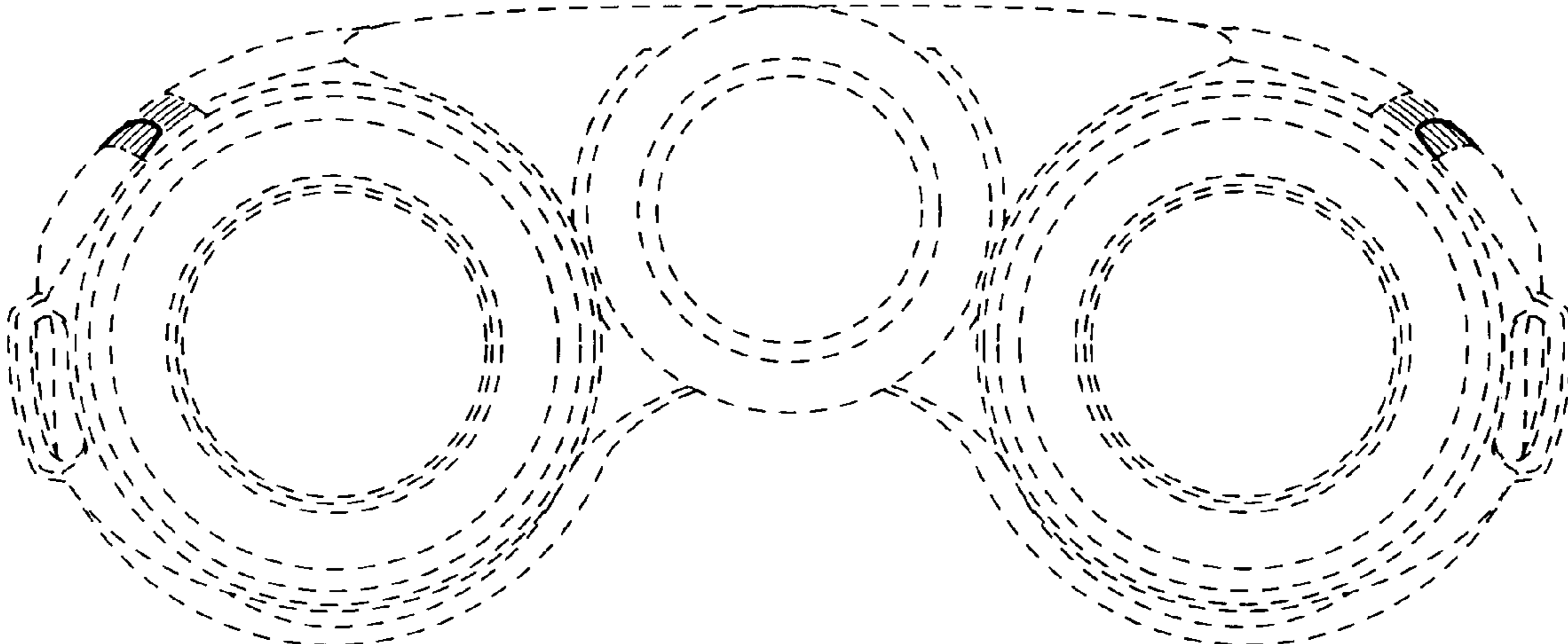


FIG. 4

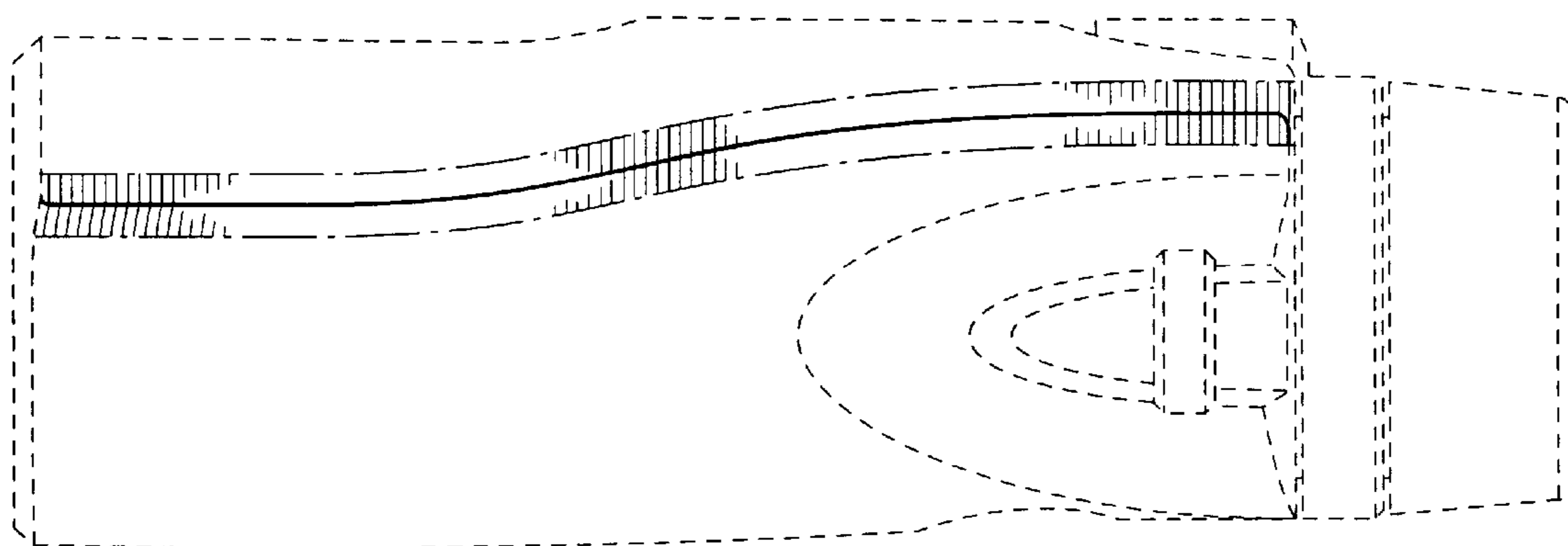


FIG. 5

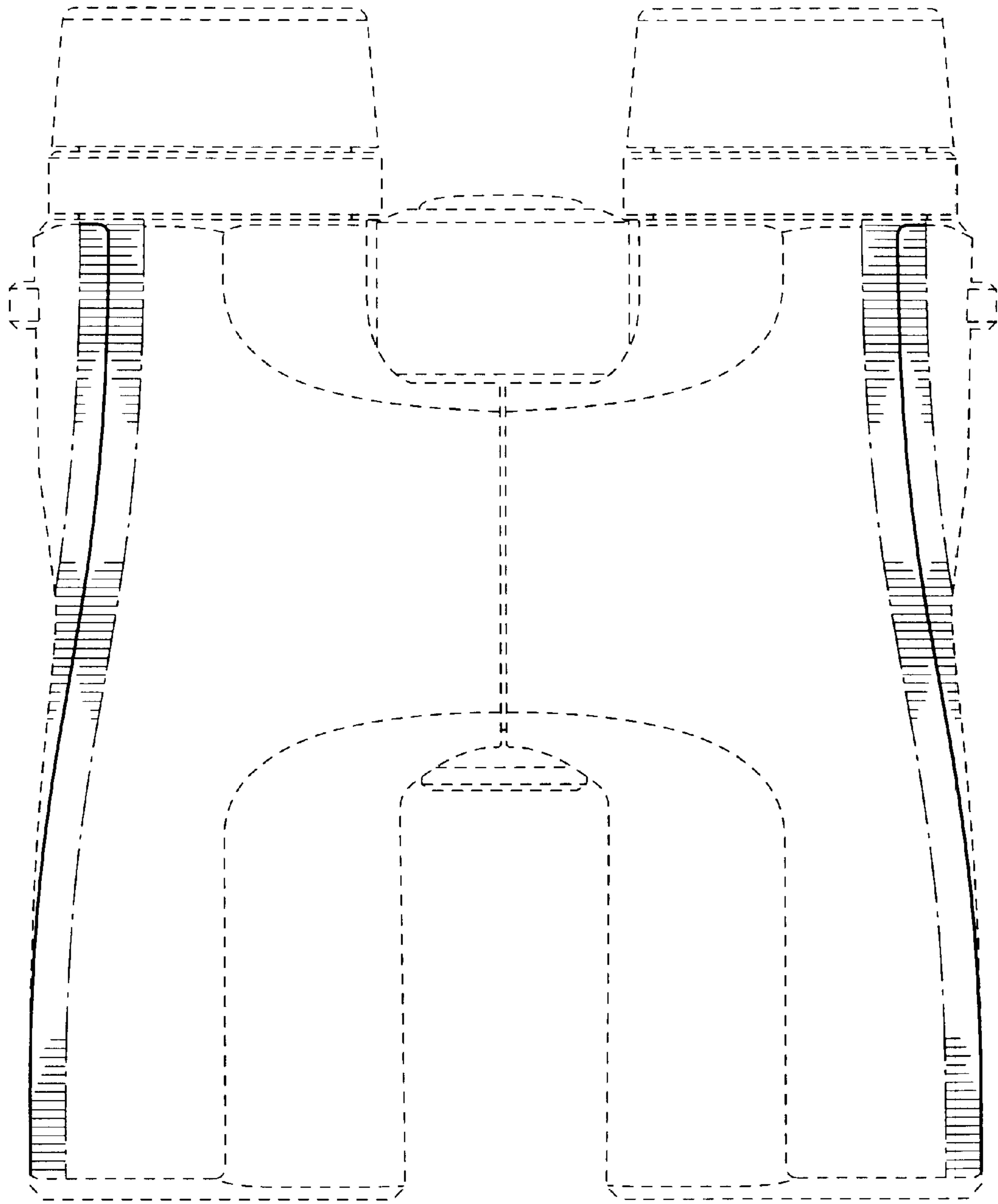


FIG. 6

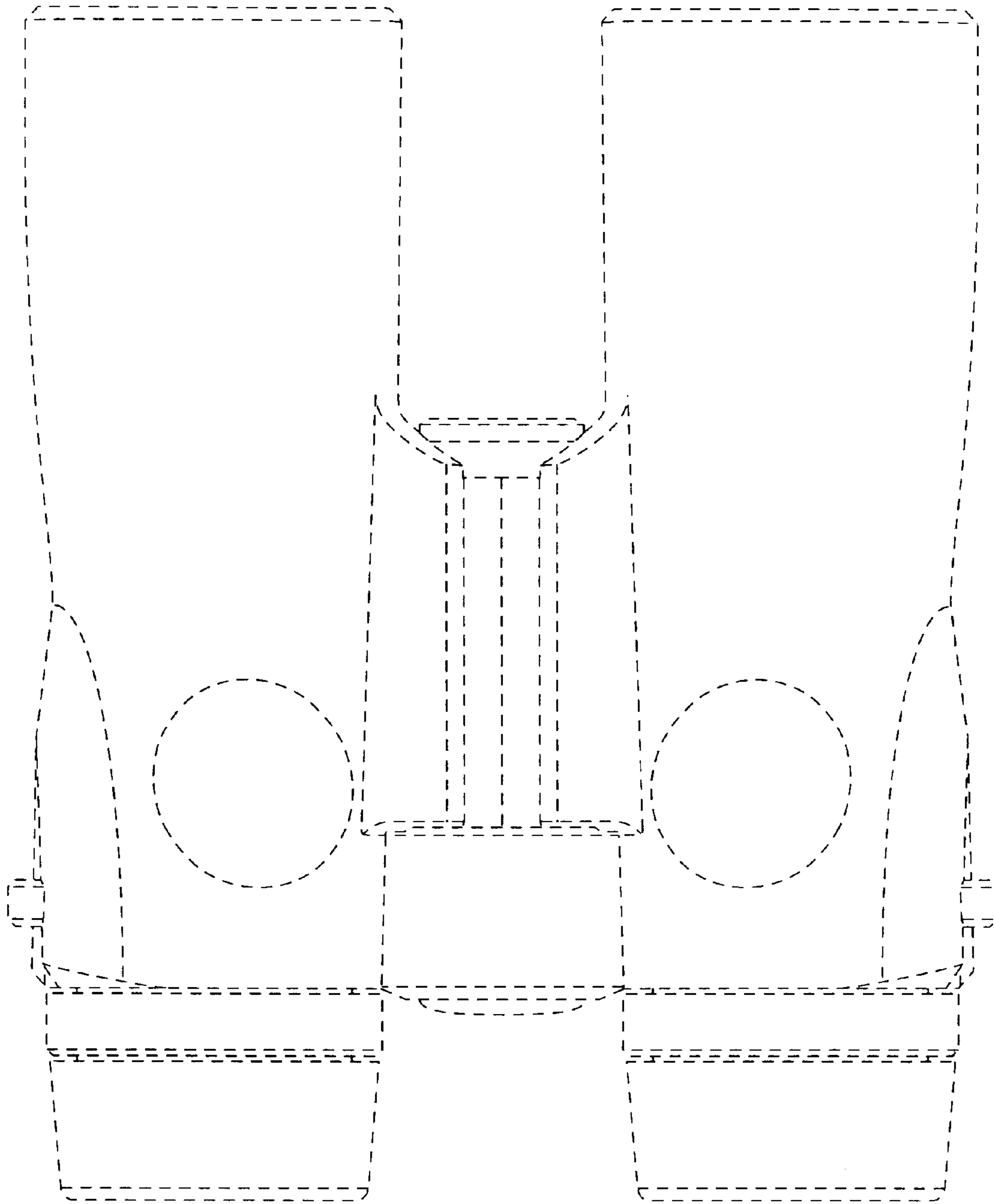


FIG. 7