



US00D523046S

(12) **United States Design Patent** (10) **Patent No.:** **US D523,046 S**  
**Suzuki et al.** (45) **Date of Patent:** **\*\* Jun. 13, 2006**

(54) **STEREOMICROSCOPE** D345,746 S 4/1994 Holbl  
D345,747 S 4/1994 Holbl  
(75) Inventors: **Koji Suzuki**, Hachioji (JP); **Hironori Utsugi**, Hachioji (JP); **Yukio Nonoda**, Ina (JP) D367,869 S 3/1996 Hofmann-Igl et al.  
D395,904 S \* 7/1998 Omi ..... D16/131  
D420,028 S 2/2000 Wani et al.  
D440,996 S 4/2001 Takanashi  
D459,744 S 7/2002 Apotheloz  
D460,772 S 7/2002 Apotheloz  
(73) Assignee: **Olympus Corporation**, Tokyo (JP) D502,194 S \* 2/2005 Suzuki et al. .... D16/131  
(\*\*) Term: **14 Years**

FOREIGN PATENT DOCUMENTS

(21) Appl. No.: **29/231,699**  
(22) Filed: **Jun. 7, 2005**

GB	1059289	5/1989
JP	689273	10/1986
JP	804457	1/1991
JP	804458	1/1991
JP	804457-1	1/1991
JP	804457-2	1/1991
JP	1030303	1/1999

**Related U.S. Application Data**

(62) Division of application No. 29/196,014, filed on Dec. 19, 2003.

(30) **Foreign Application Priority Data**

Jun. 27, 2003 (JP) ..... 2003-18494  
Jun. 27, 2003 (JP) ..... 2003-18498  
Jun. 27, 2003 (JP) ..... 2003-18499

(51) **LOC (8) Cl.** ..... **16-06**  
(52) **U.S. Cl.** ..... **D16/131**  
(58) **Field of Classification Search** ..... D16/130,  
D16/131; 359/382, 383, 384, 385, 375, 376,  
359/377, 379, 378, 381, 368, 388, 390, 393;  
29/720

See application file for complete search history.

(56) **References Cited**

U.S. PATENT DOCUMENTS

D184,487 S 2/1959 Maier  
3,930,809 A \* 1/1976 Evans ..... 29/720  
4,299,440 A \* 11/1981 Hodgson ..... 359/393  
5,119,233 A 6/1992 Hayashi

\* cited by examiner

*Primary Examiner*—Paula A. Greene  
(74) *Attorney, Agent, or Firm*—Hogan & Hartson, LLP

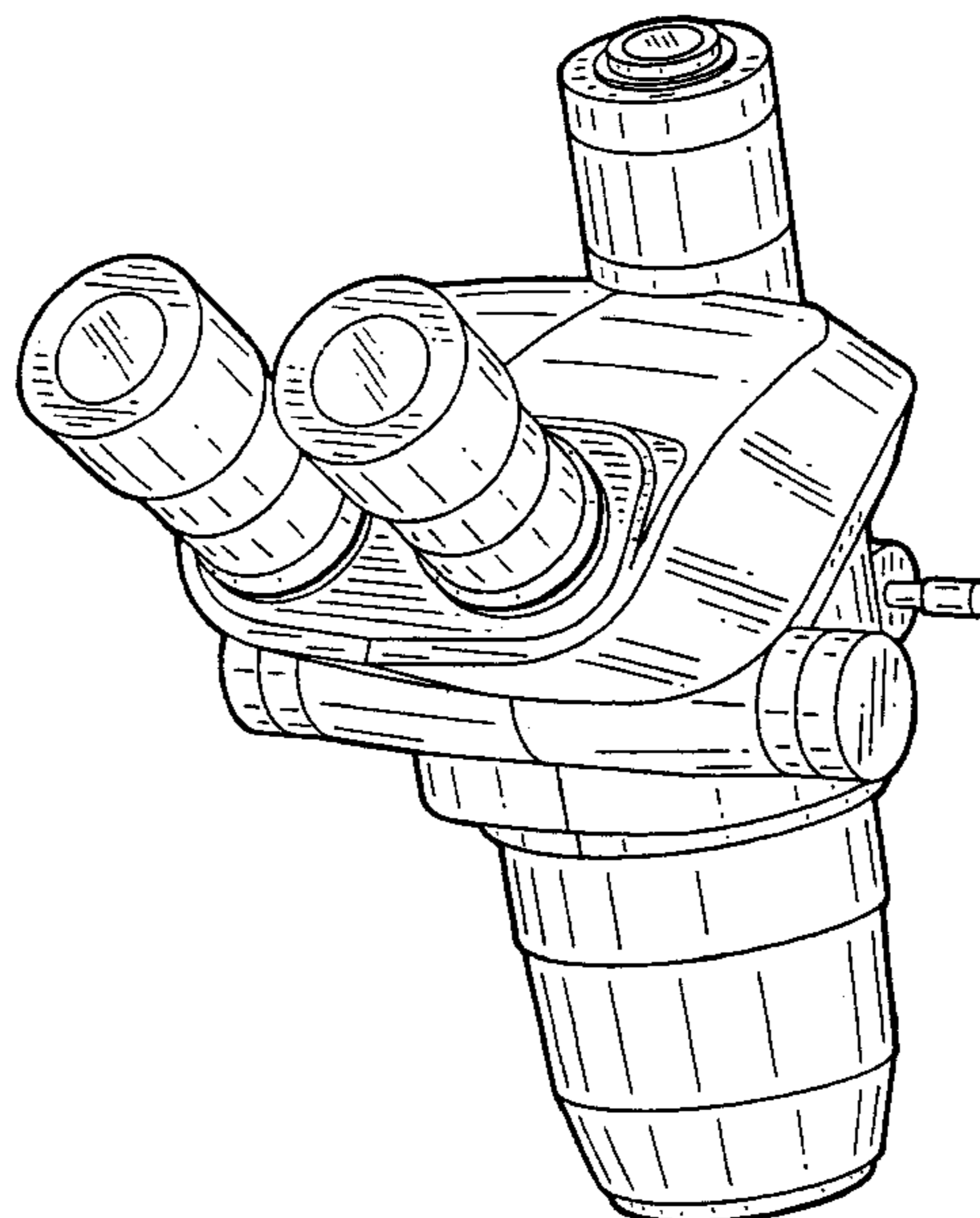
(57) **CLAIM**

The ornamental design for a stereomicroscope, as shown and described.

**DESCRIPTION**

FIG. 1 is a perspective view of a stereomicroscope showing our new design;  
FIG. 2 is a front elevational view thereof;  
FIG. 3 is a rear elevational view thereof;  
FIG. 4 is a top plan view thereof;  
FIG. 5 is a bottom plan view thereof;  
FIG. 6 is a right side elevational view thereof; and,  
FIG. 7 is a left side elevational view thereof.

**1 Claim, 4 Drawing Sheets**



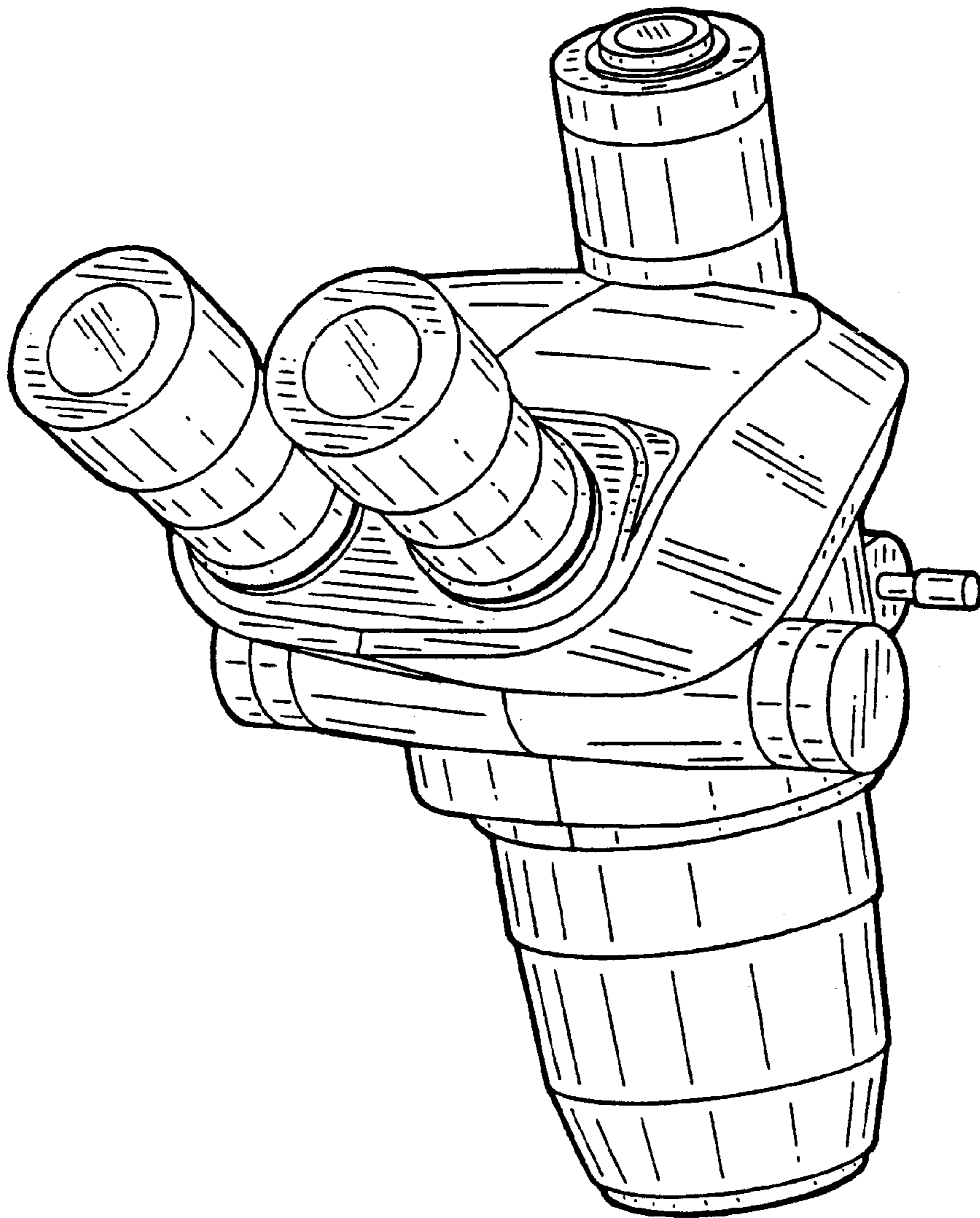


FIG. 1

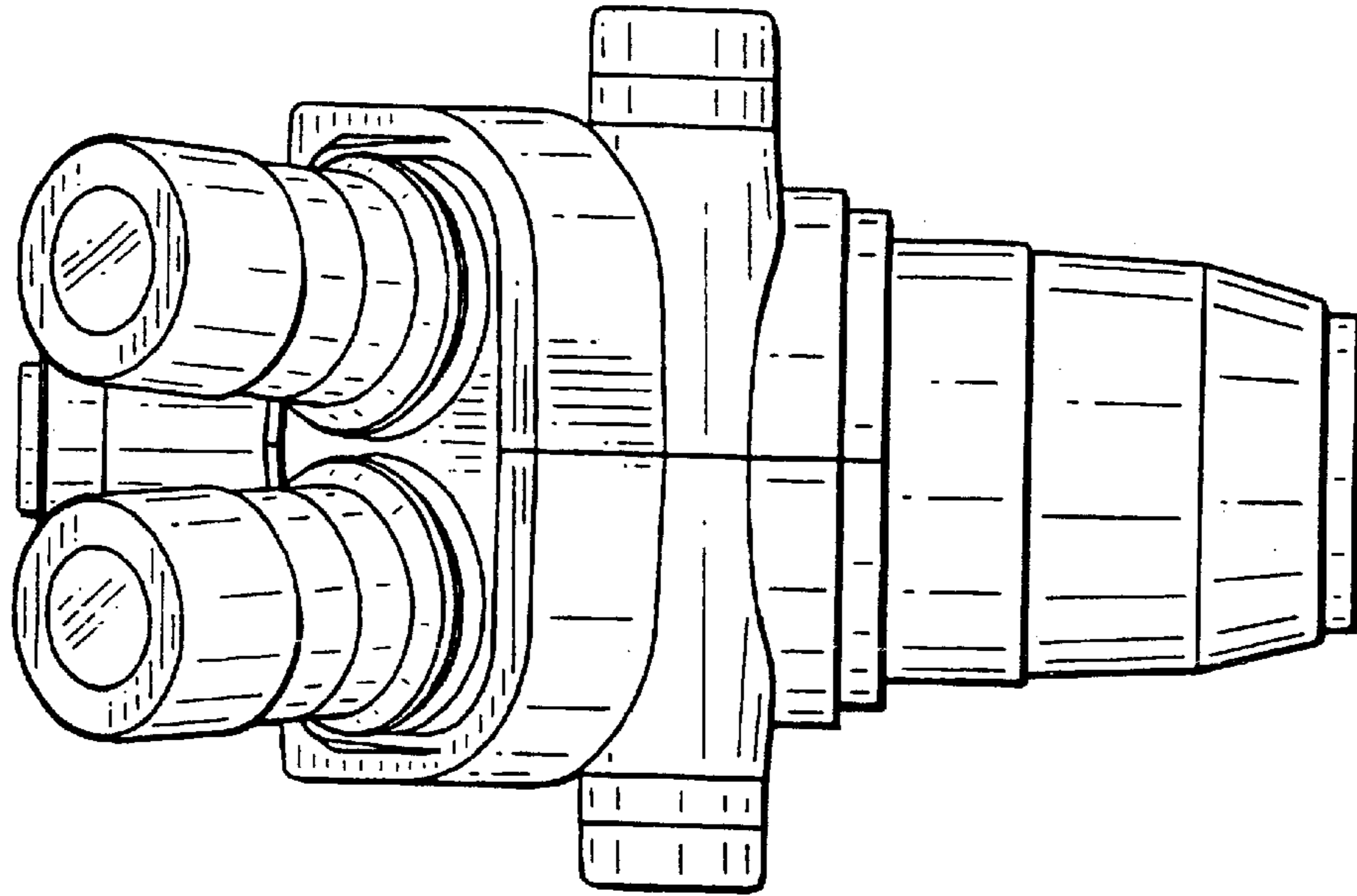


FIG. 2

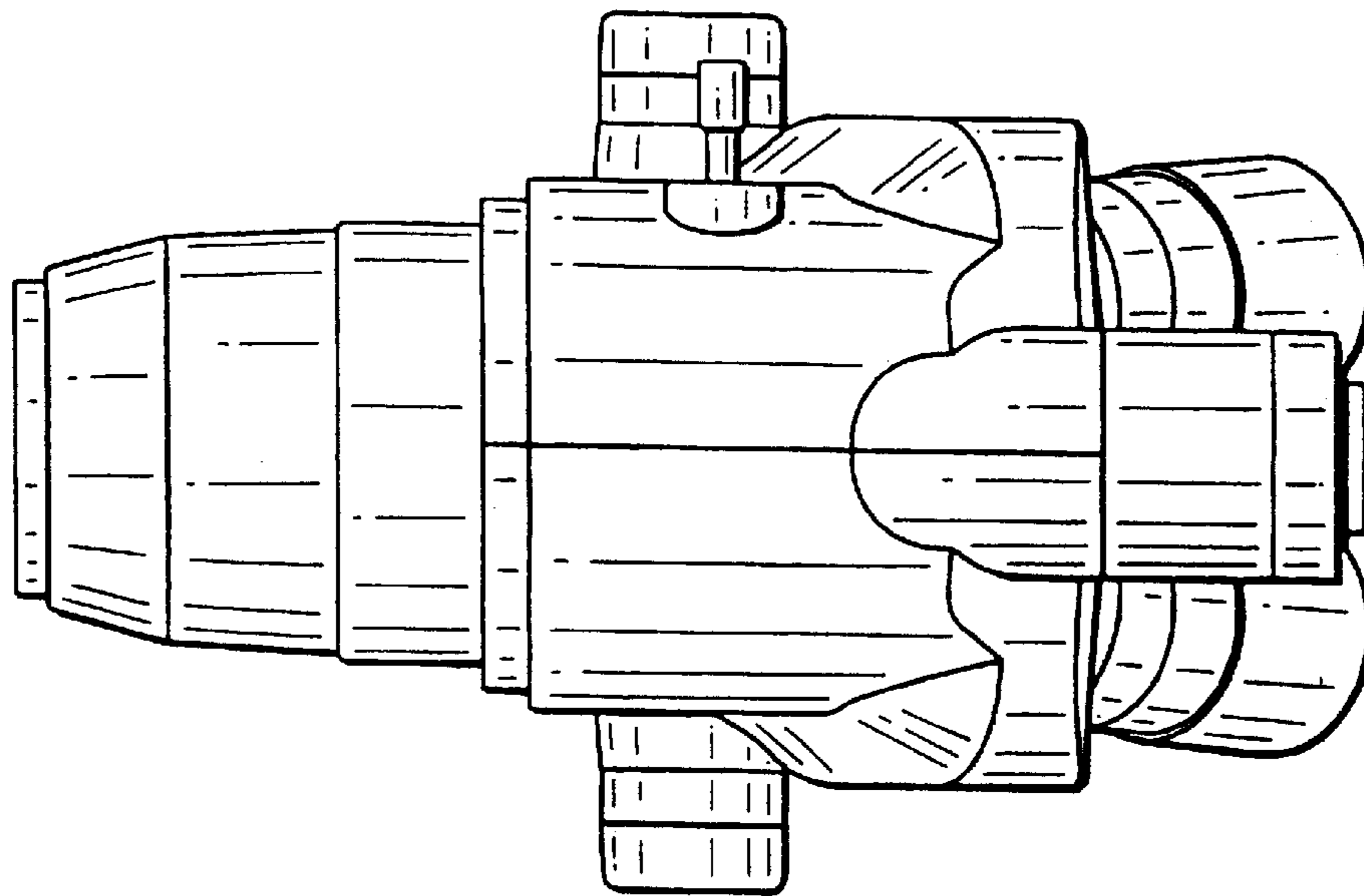
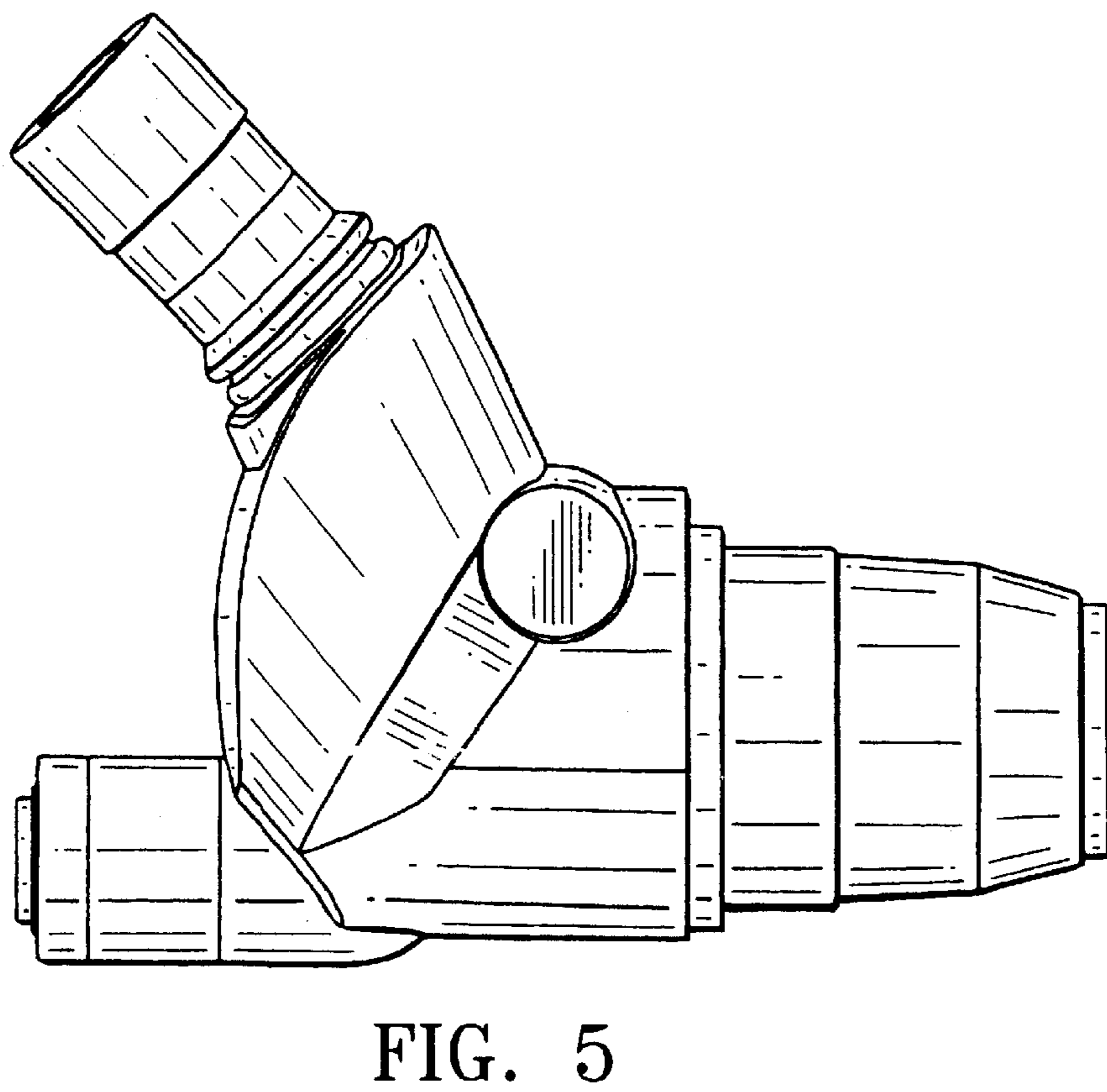
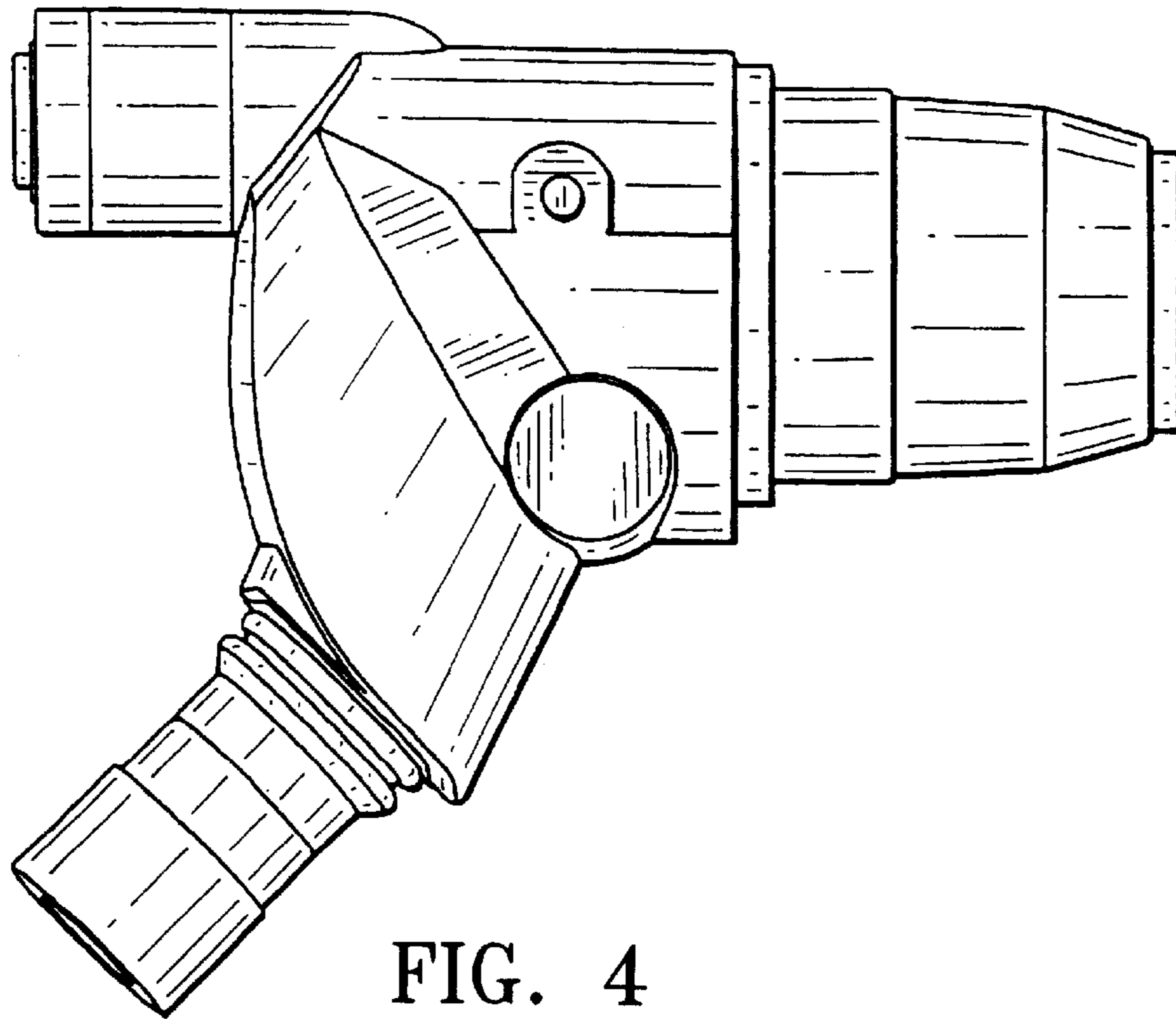


FIG. 3



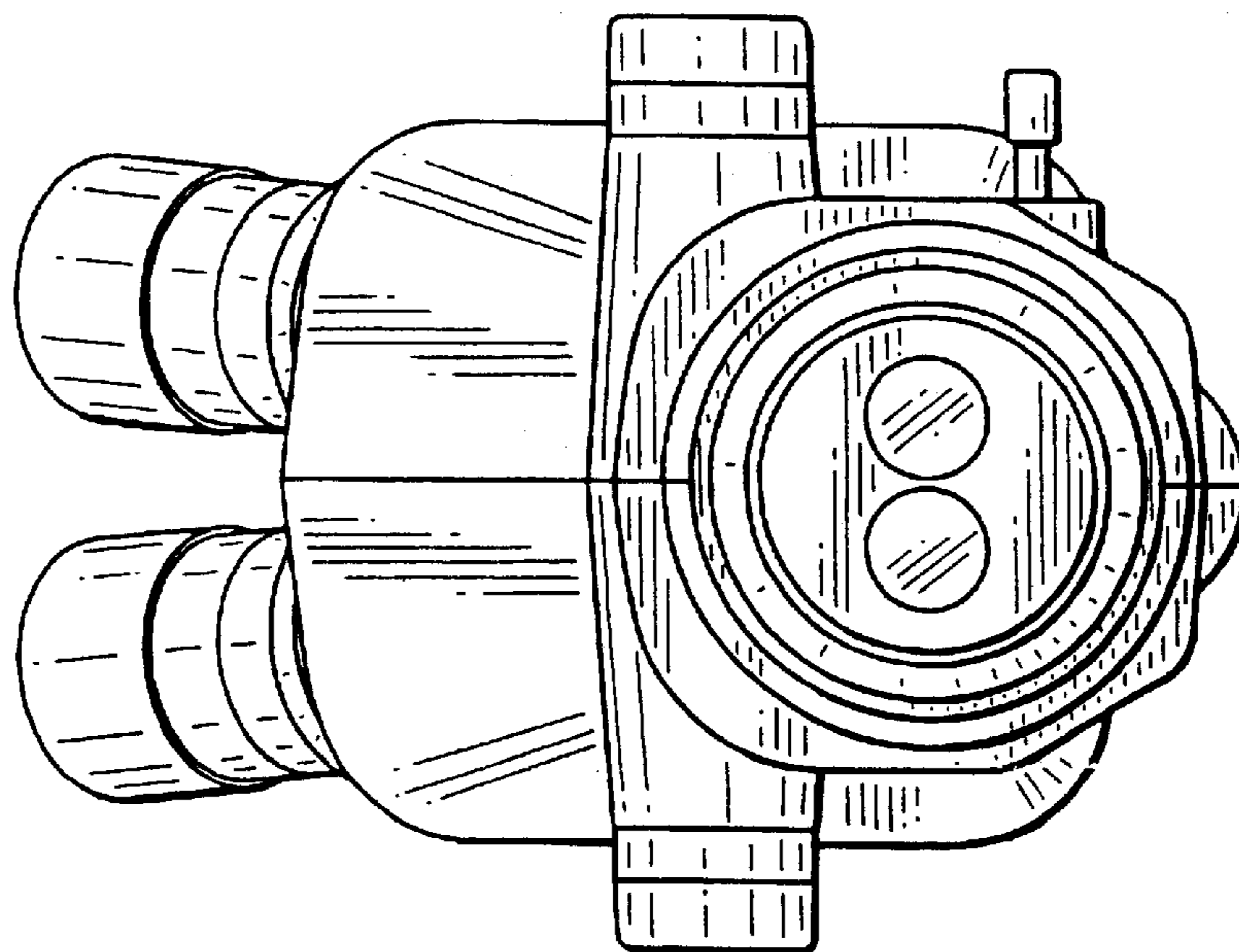


FIG. 6

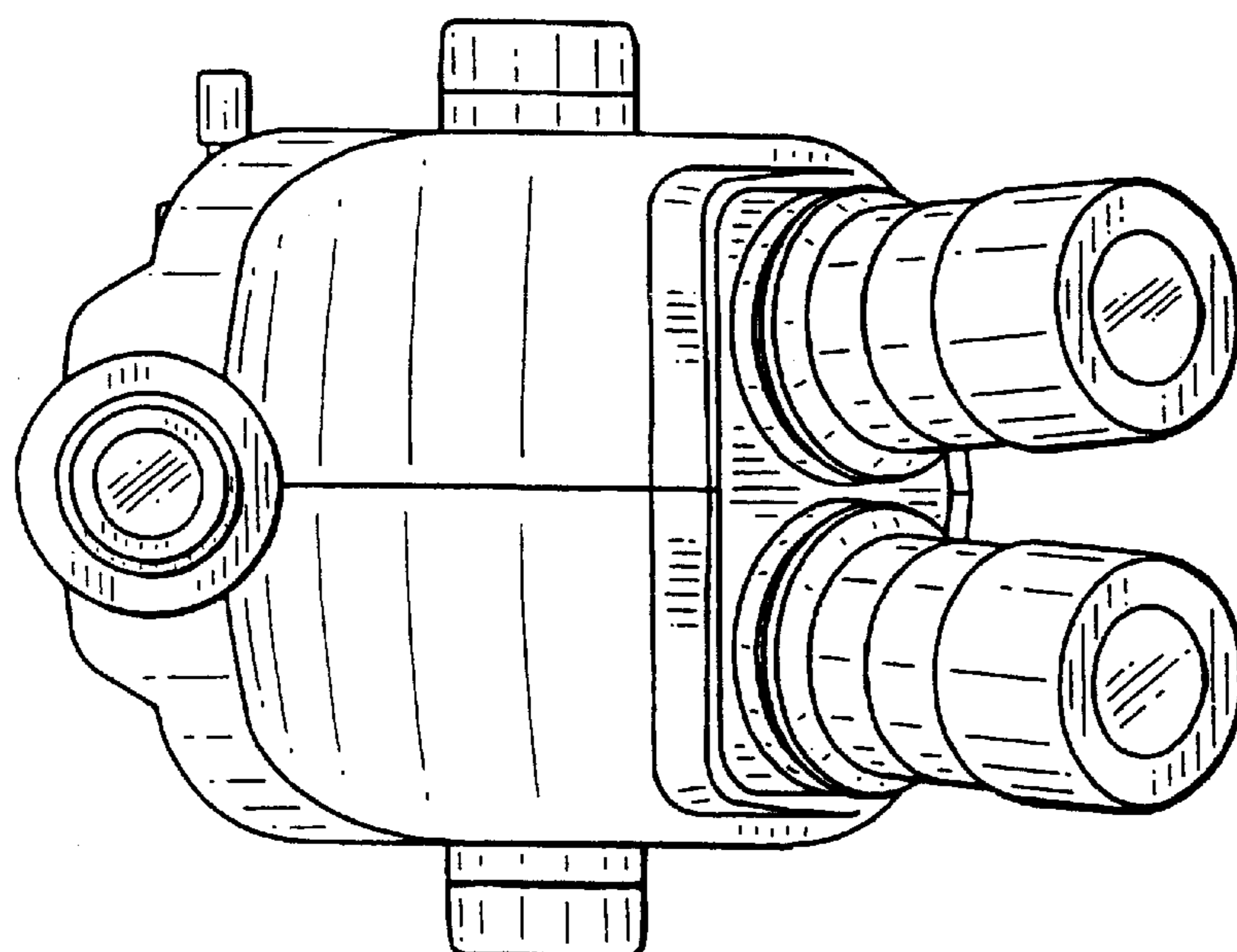


FIG. 7