



US00D523045S

(12) **United States Design Patent**
Costello

(10) **Patent No.:** **US D523,045 S**

(45) **Date of Patent:** **** Jun. 13, 2006**

(54) **TRANSMISSION CASE ADAPTOR**

(76) Inventor: **Scott D. Costello**, 609 Costello Rd.,
Oak Grove, LA (US) 71263

(**) Term: **14 Years**

(21) Appl. No.: **29/226,253**

(22) Filed: **Mar. 25, 2005**

Related U.S. Application Data

(63) Continuation of application No. 10/441,690, filed on May 20, 2003.

(51) **LOC (8) Cl.** **15-09**

(52) **U.S. Cl.** **D15/149**

(58) **Field of Classification Search** D15/149;
29/401.1, 428, 434; 74/15.66, 377, 467, 606 R,
74/730.1, 745; 180/233, 247; 403/260
See application file for complete search history.

(56) **References Cited**

U.S. PATENT DOCUMENTS

- 3,382,735 A * 5/1968 Gatiss 74/730.1
- 4,037,429 A * 7/1977 Britzius 180/233
- 4,641,547 A * 2/1987 Stich et al. 74/606 R
- 4,744,436 A * 5/1988 Uchiyama 180/233
- 5,022,478 A * 6/1991 Hartmann 74/15.66

- 5,311,787 A * 5/1994 Wilson et al. 74/15.88
- 5,967,930 A * 10/1999 Ahluwalia 74/15.66
- 6,125,717 A * 10/2000 Phillips 74/606 R

* cited by examiner

Primary Examiner—Antoine D. Davis

(74) *Attorney, Agent, or Firm*—R. Keith Harrison

(57) **CLAIM**

The ornamental design for a “transmission case adaptor”, as shown and described.

DESCRIPTION

FIG. 1 is a perspective view of the transmission case adaptor (in solid lines) of the present invention, connecting a powerglide transmission case (in phantom) to a four-wheel-drive transfer case (in phantom), which powerglide transmission case and four-wheel-drive transfer case do not form a part of the claimed design;

FIG. 2 is a rear perspective view of the transmission case adaptor;

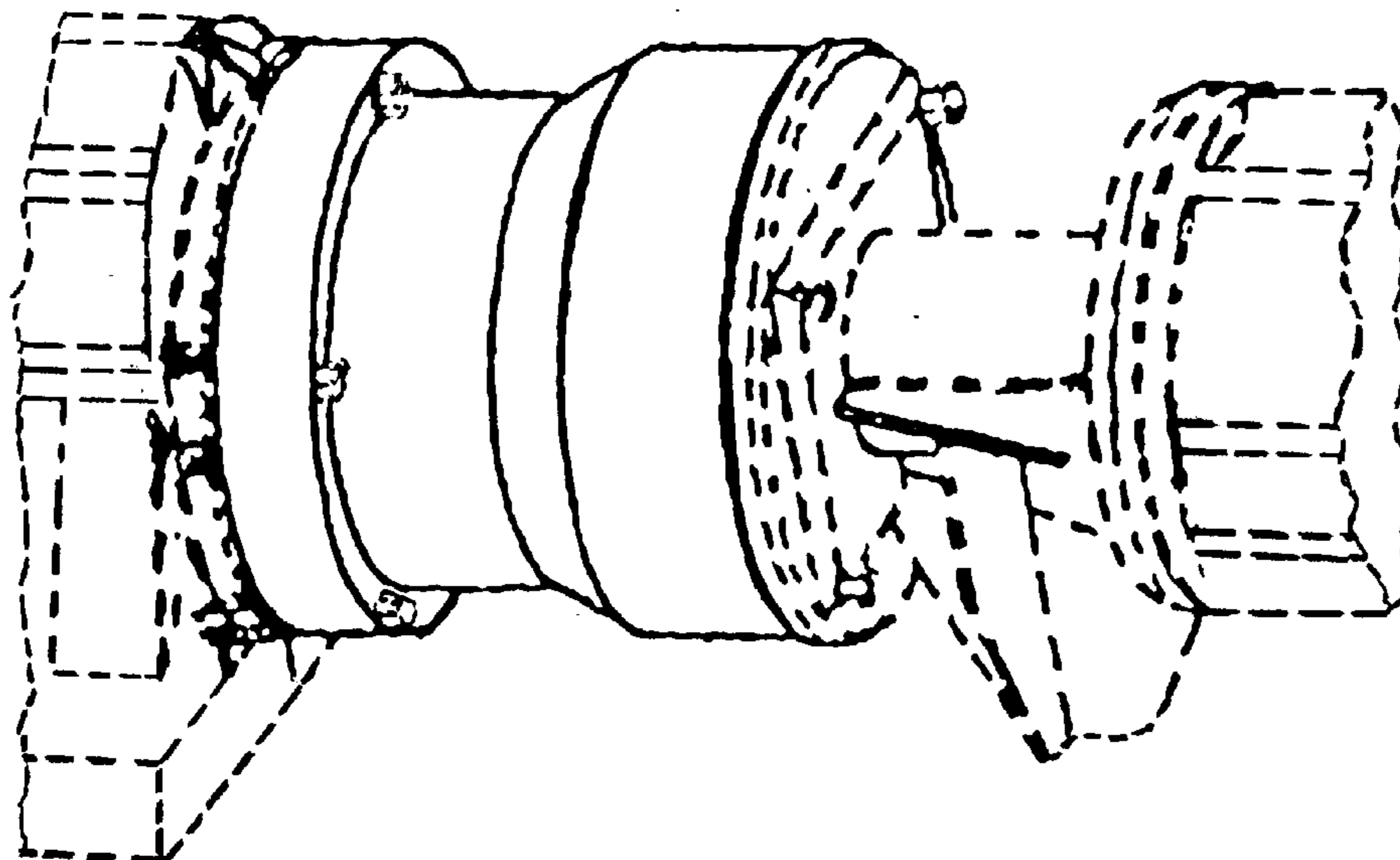
FIG. 3 is a side view of the transmission case adaptor;

FIG. 4 is a rear view of the transmission case adaptor;

FIG. 5 is a front view of the transmission case adaptor; and,

FIG. 6 is a front perspective view of the transmission case adaptor.

1 Claim, 2 Drawing Sheets



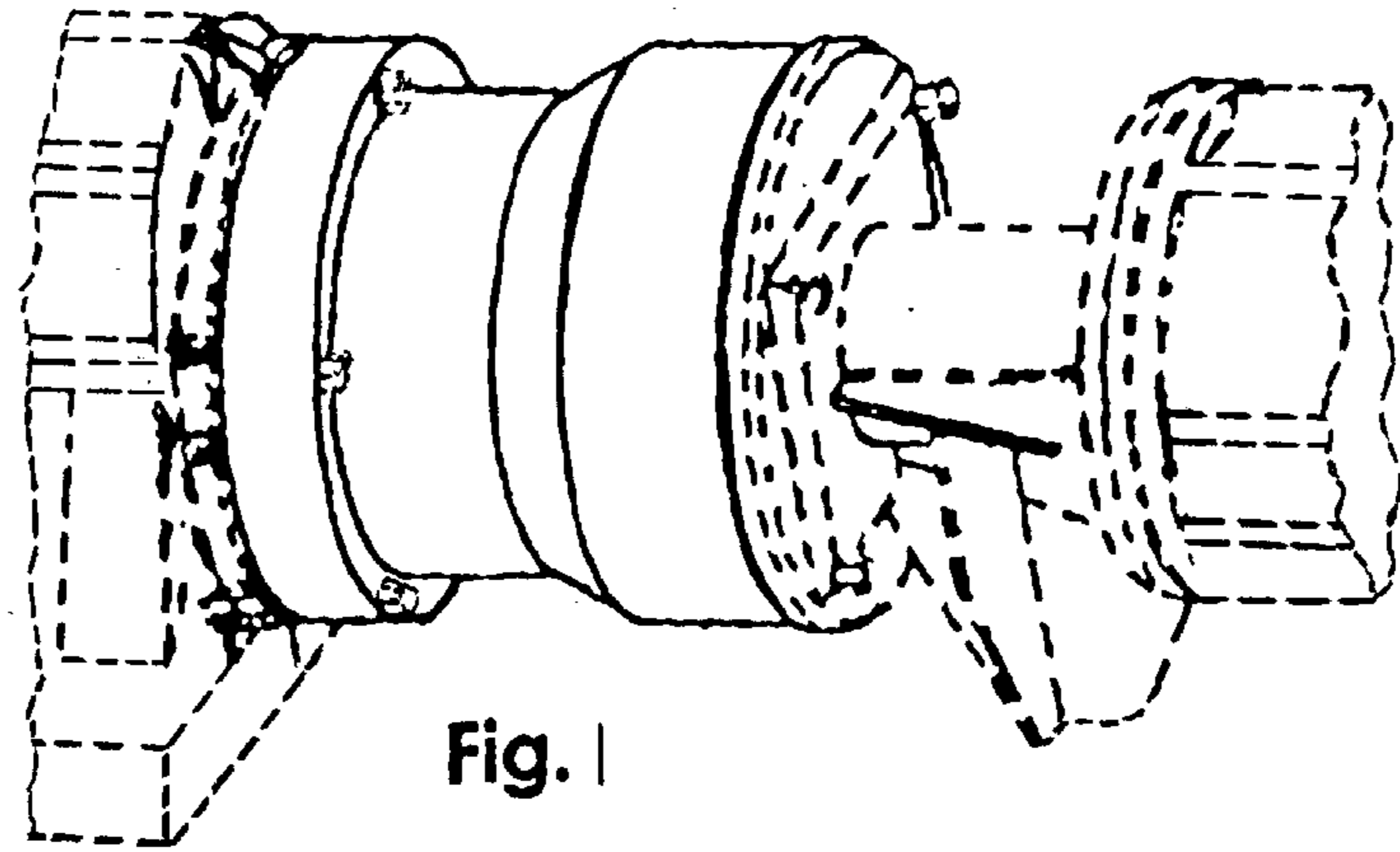


Fig. 1

Fig. 2

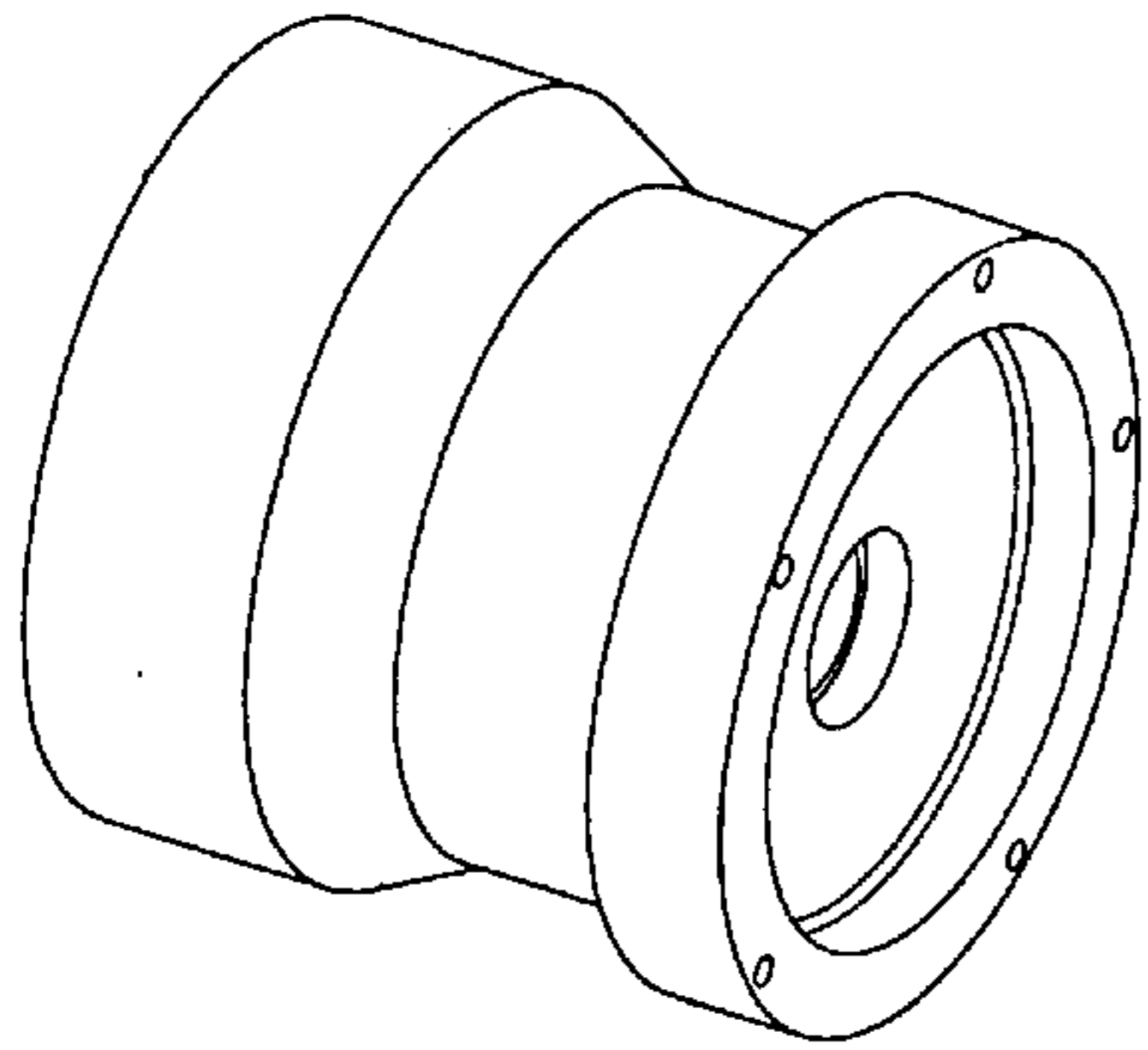


Fig. 3

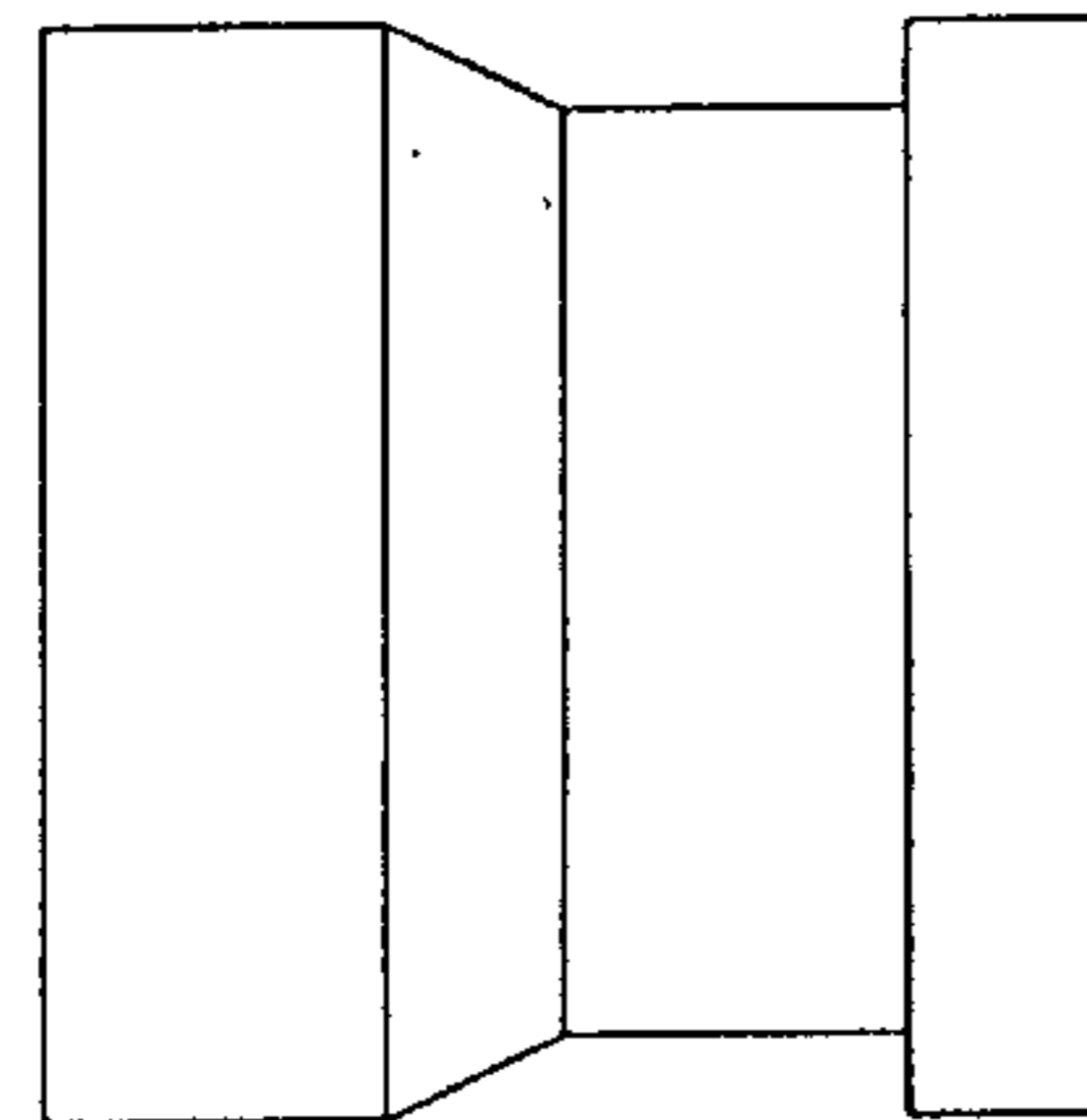


Fig. 4

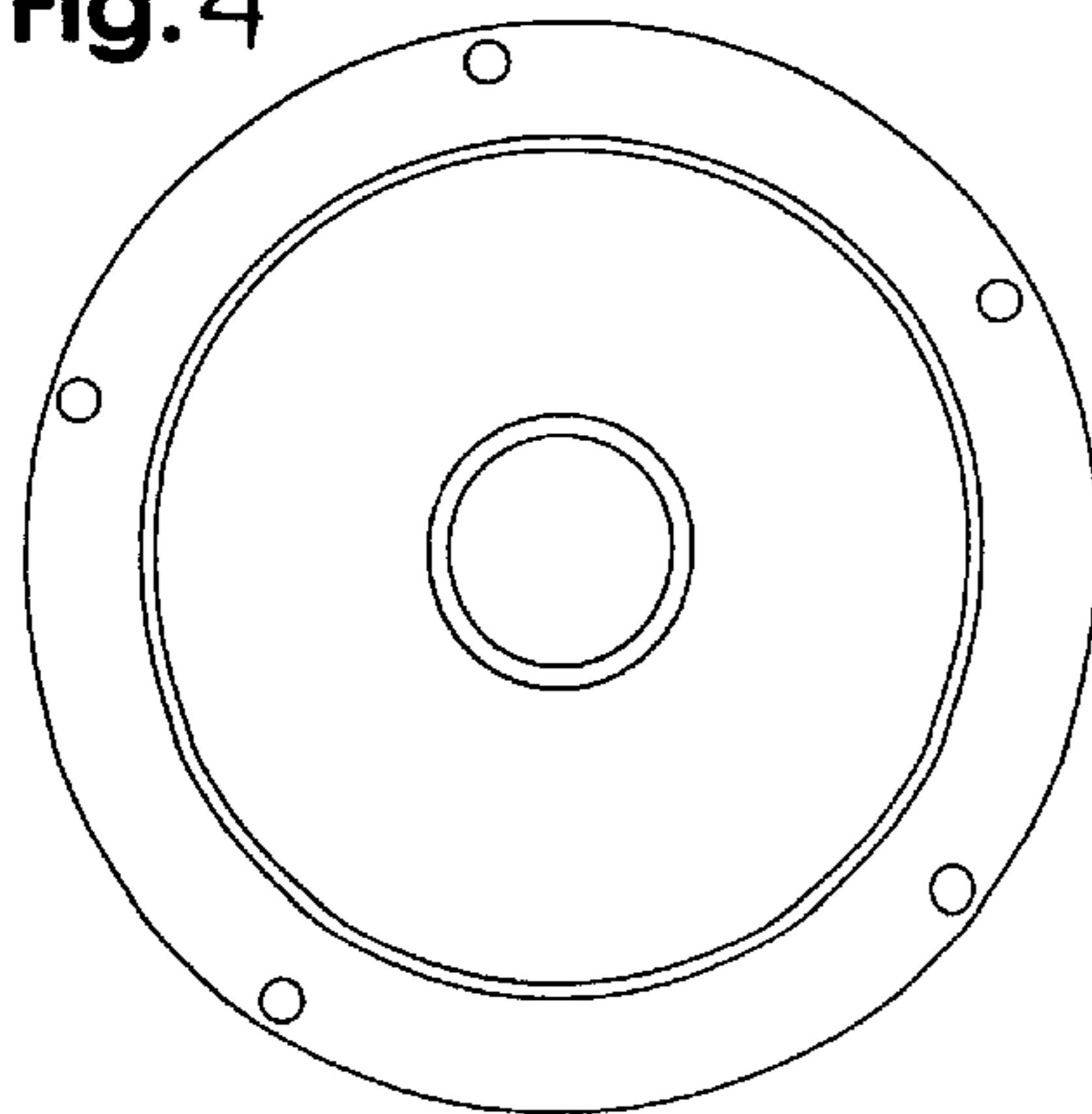
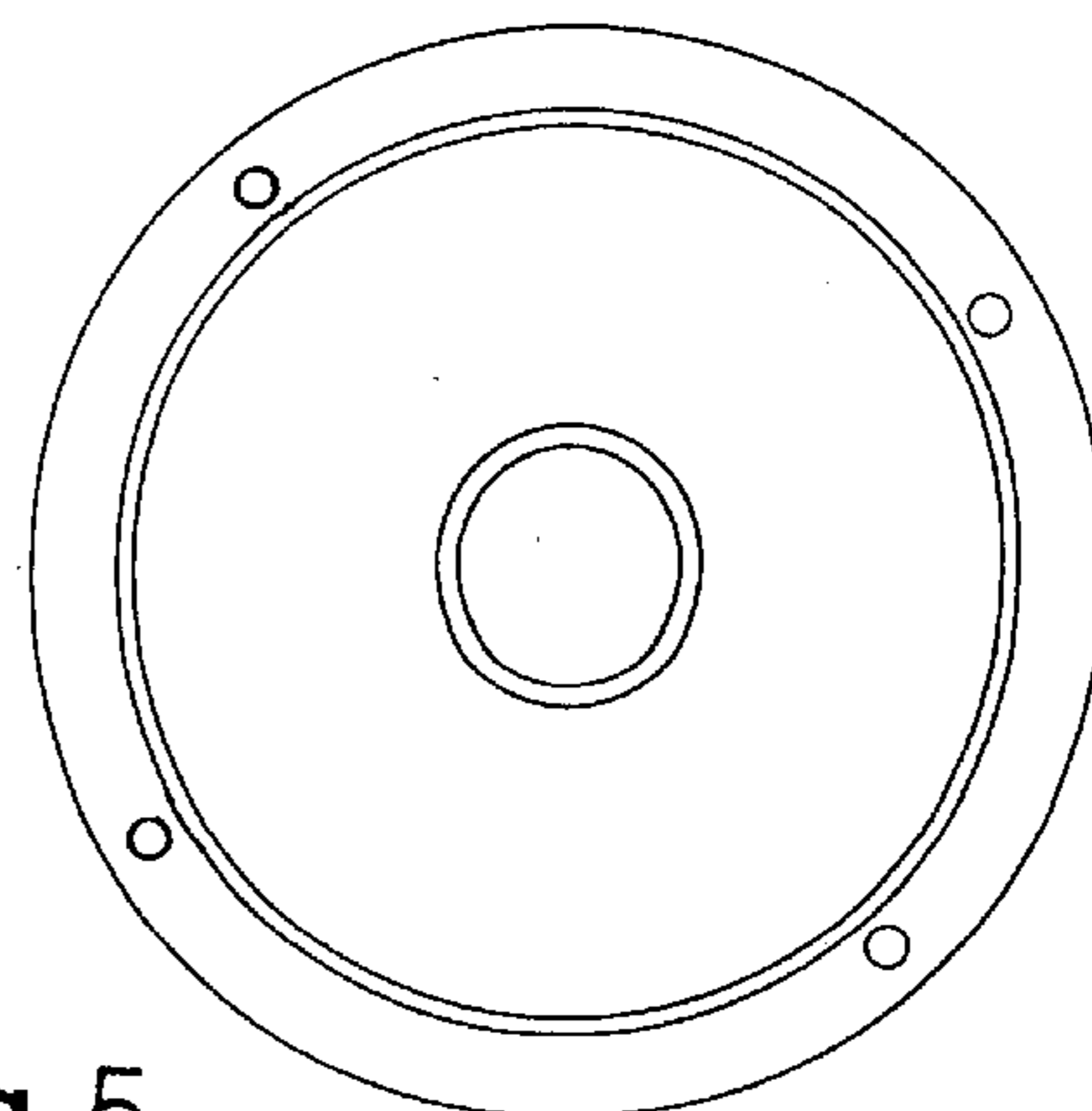


Fig. 5



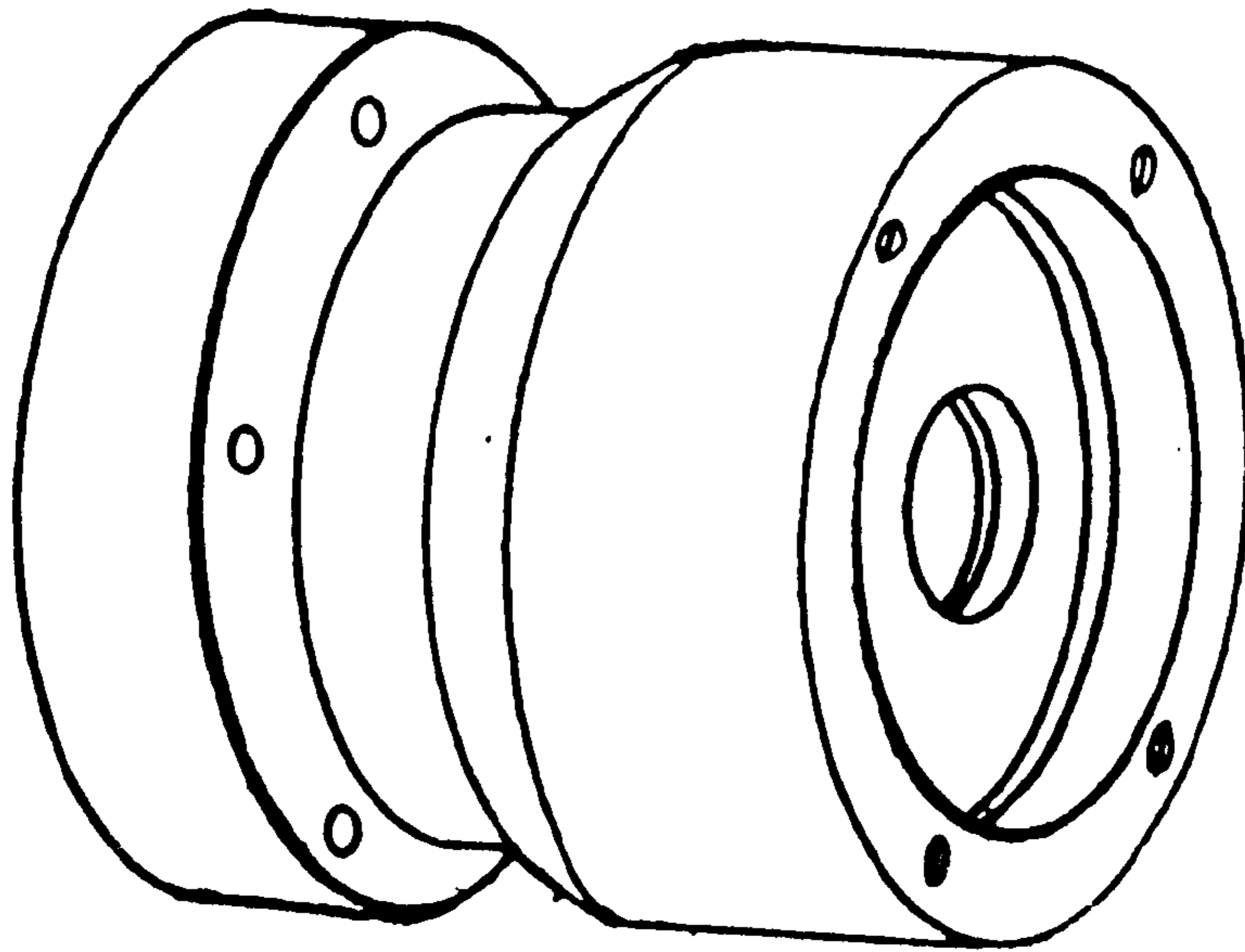


Fig. 6