



US00D523043S

(12) **United States Design Patent**  
**Conway et al.**

(10) **Patent No.:** **US D523,043 S**  
(45) **Date of Patent:** **\*\* Jun. 13, 2006**

(54) **SHIELD CAP FOR A PLASMA ARC TORCH**

(75) Inventors: **Christopher J. Conway**, Wilmot, NH (US); **Darrin H. MacKenzie**, Windsor, VT (US)

(73) Assignee: **Thermal Dynamics Corporation**, West Lebanon, NH (US)

(\*\*) Term: **14 Years**

(21) Appl. No.: **29/197,684**

(22) Filed: **Jan. 16, 2004**

(51) **LOC (8) Cl.** ..... **15-09**

(52) **U.S. Cl.** ..... **D15/144**

(58) **Field of Classification Search** ..... D15/144-144.2;  
219/121.36, 121.48, 121.5, 121.51, 121.52,  
219/121.39, 121.59, 74, 75; 313/298.21,  
313/298.31

See application file for complete search history.

(56) **References Cited**

**U.S. PATENT DOCUMENTS**

6,069,339 A \* 5/2000 McGrath et al. .... 219/121.44

D496,951 S \* 10/2004 Brasseur et al. .... D15/144  
D505,309 S \* 5/2005 Brasseur et al. .... D8/30  
6,914,211 B1 \* 7/2005 Brasseur et al. .... 219/121.5  
6,946,616 B1 \* 9/2005 Kinerson et al. .... 219/121.49

\* cited by examiner

*Primary Examiner*—Antoine D. Davis

*Assistant Examiner*—Patricia Palasik

(74) *Attorney, Agent, or Firm*—Harness, Dickey & Pierce, P.L.C.

(57) **CLAIM**

The ornamental design for a shield cap for a plasma arc torch, as shown and described.

**DESCRIPTION**

FIG. 1 is a perspective view of the shield cap for a plasma arc torch;

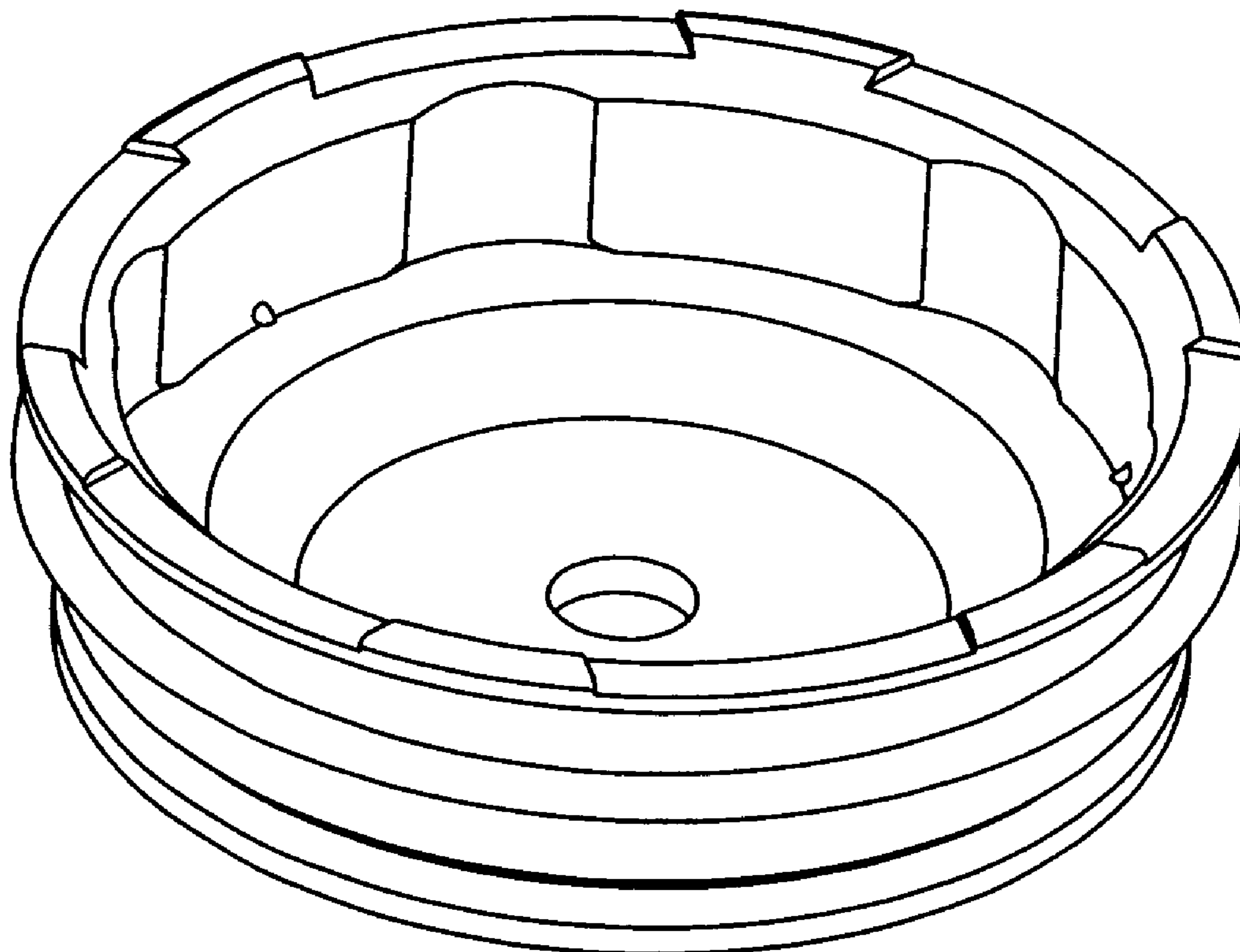
FIG. 2 is a perspective view from the distal end thereof;

FIG. 3 is a side elevation view thereof;

FIG. 4 is a top plan view thereof; and,

FIG. 5 is a bottom plan view thereof.

**1 Claim, 5 Drawing Sheets**



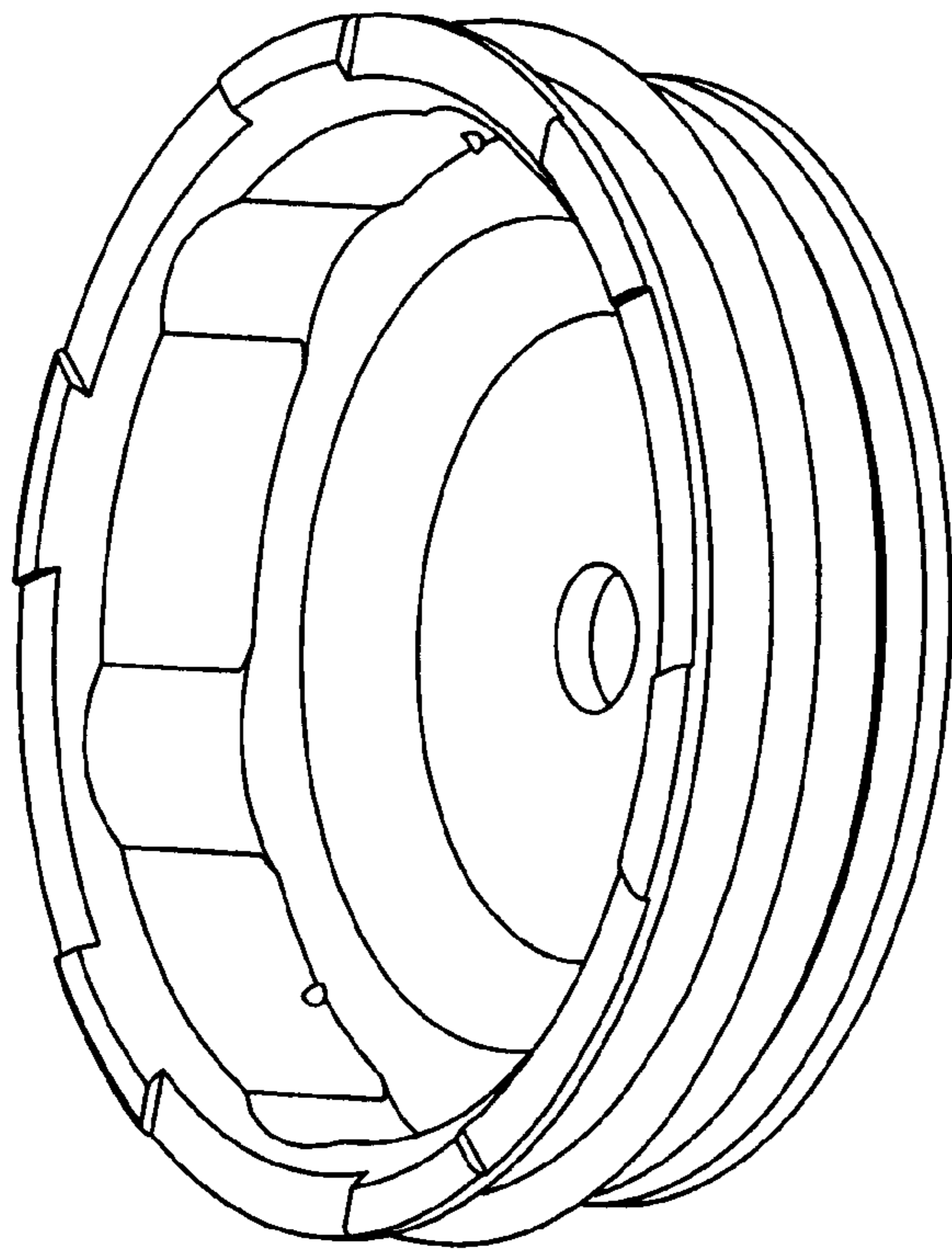


FIG. 1

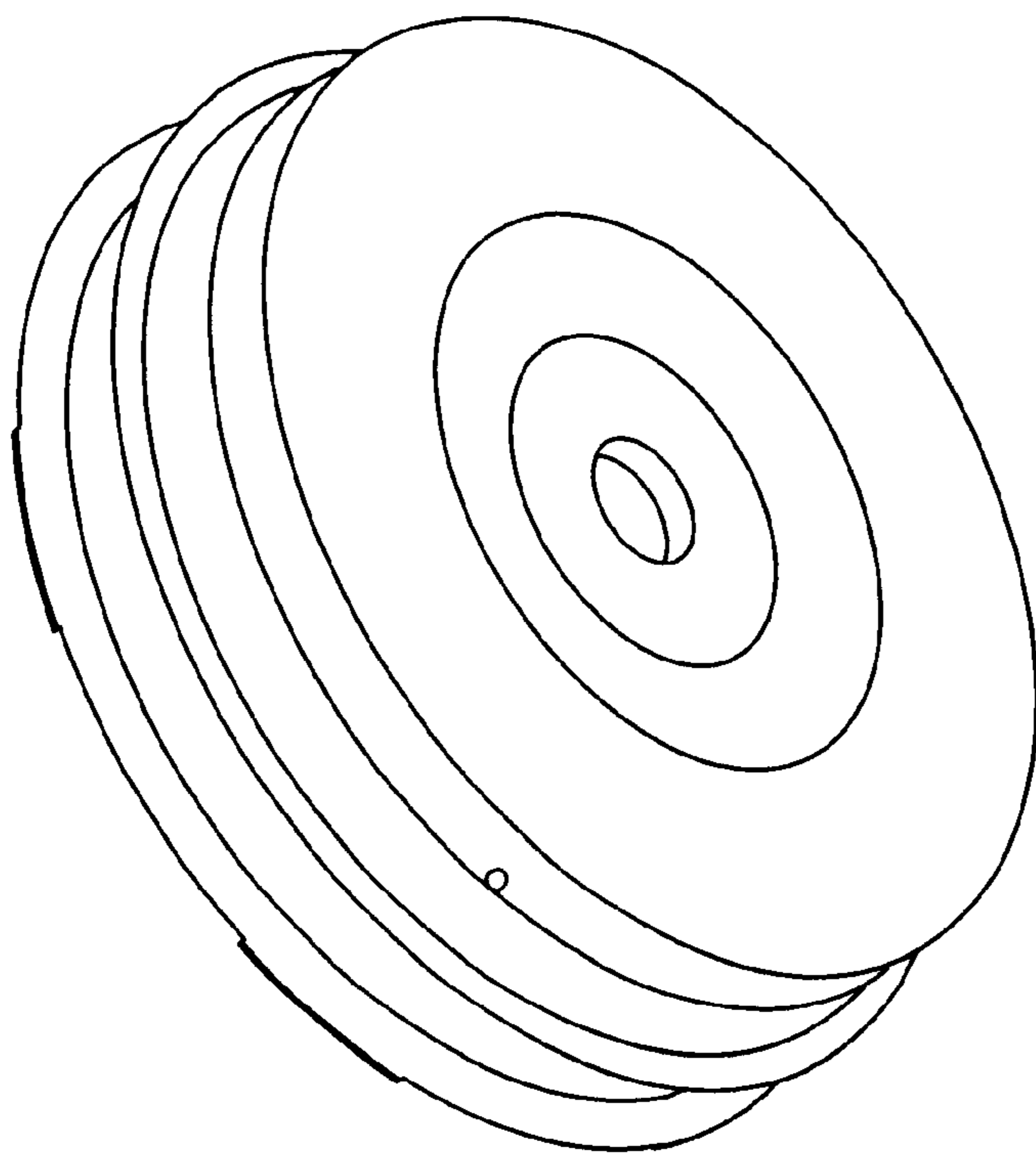


FIG. 2

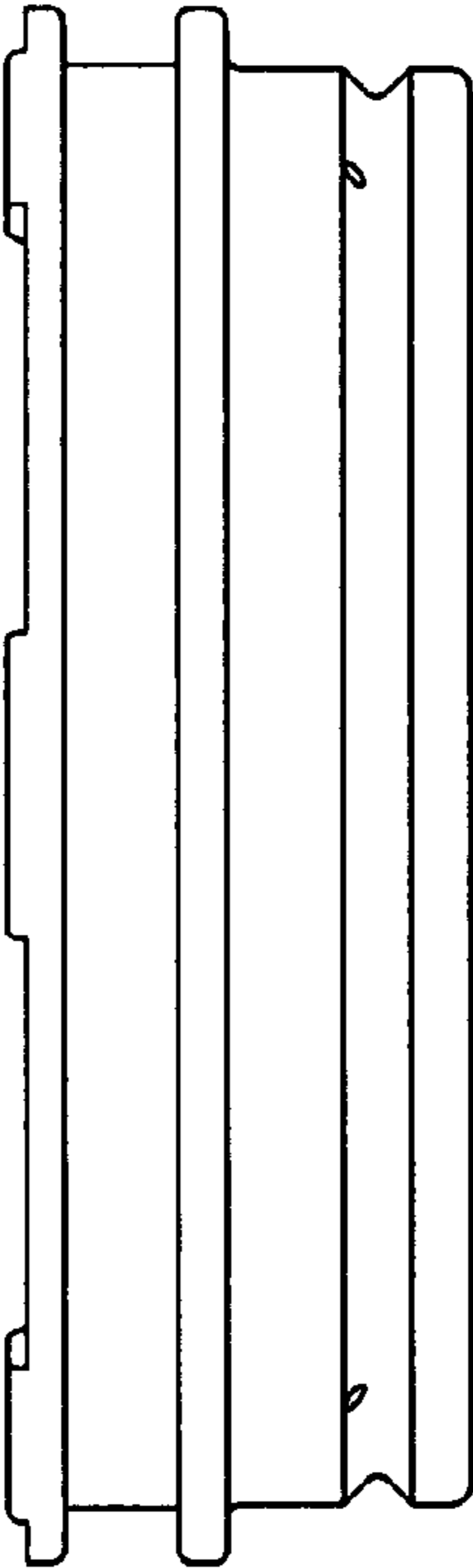


FIG. 3

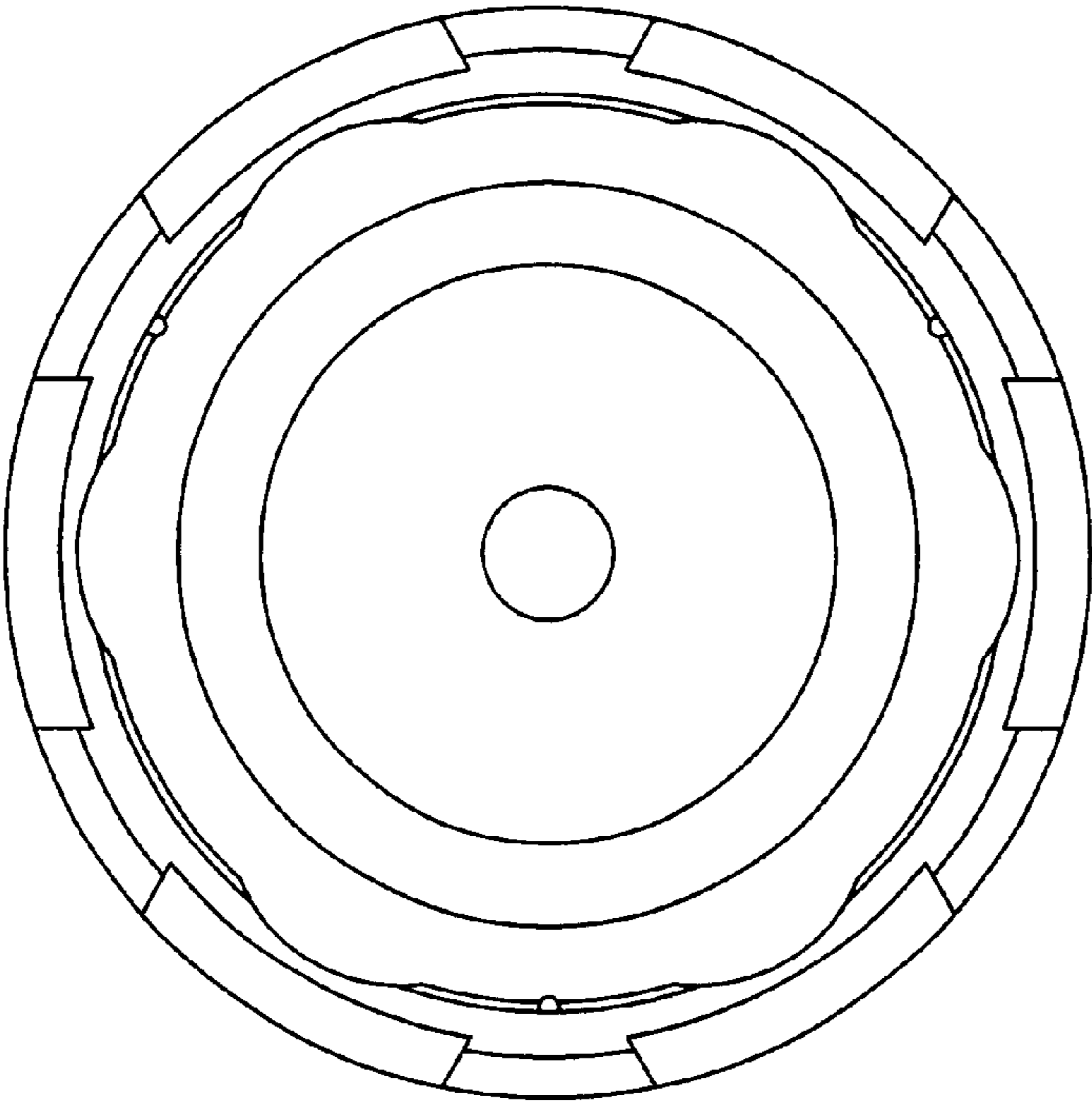


FIG. 4

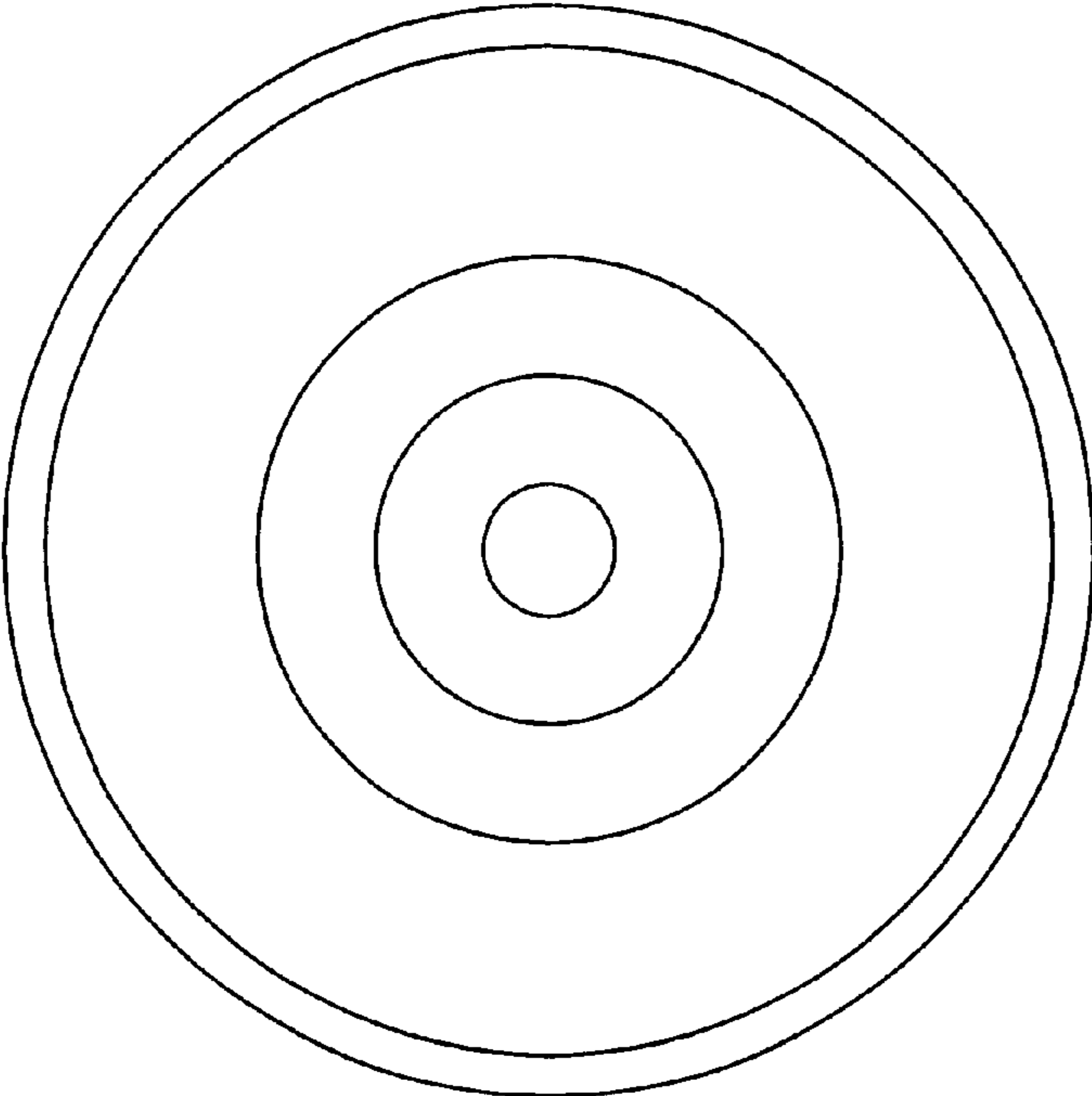


FIG. 5