



US00D523042S

(12) **United States Design Patent**
Conway et al.

(10) **Patent No.:** **US D523,042 S**
(45) **Date of Patent:** **** Jun. 13, 2006**

(54) **VENTED SHIELD CAP FOR A PLASMA ARC TORCH**

(75) Inventors: **Christopher J. Conway**, Wilmot, NH (US); **Darrin H. MacKenzie**, Windsor, VT (US)

(73) Assignee: **Thermal Dynamics Corporation**, West Labanon, NH (US)

(**) Term: **14 Years**

(21) Appl. No.: **29/197,683**

(22) Filed: **Jan. 16, 2004**

(51) **LOC (8) Cl.** **15-09**

(52) **U.S. Cl.** **D15/144**

(58) **Field of Classification Search** D15/144-144.2;
219/121.36, 121.48, 121.5, 121.51, 121.52,
219/121.39, 121.59, 74, 75; 313/298.21,
313/298.31

See application file for complete search history.

(56) **References Cited**

U.S. PATENT DOCUMENTS

6,069,339 A * 5/2000 McGrath et al. 219/121.44

D496,951 S * 10/2004 Brasseur et al. D15/144
D505,309 S * 5/2005 Brasseur et al. D8/30
6,914,211 B1 * 7/2005 Brasseur et al. 219/121.5
6,946,616 B1 * 9/2005 Kinerson et al. 219/121.49

* cited by examiner

Primary Examiner—Antoine D. Davis

Assistant Examiner—Patricia Palasik

(74) *Attorney, Agent, or Firm*—Hareness, Dickey & Pierce, P.L.C.

(57) **CLAIM**

The ornamental design for a vented shield cap for a plasma arc torch, as shown and described.

DESCRIPTION

FIG. 1 is a perspective view of the vented shield cap for a plasma arc torch;

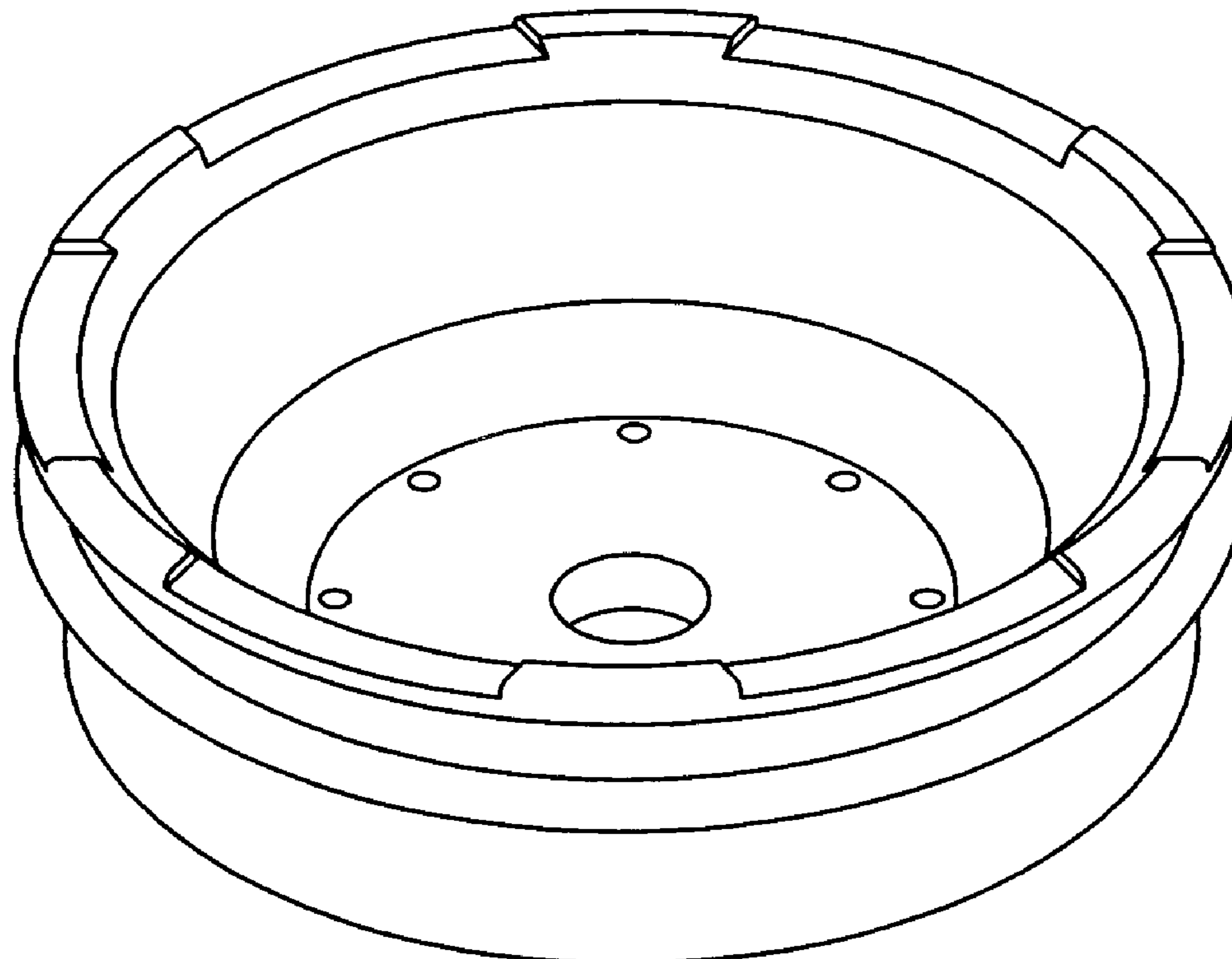
FIG. 2 is a perspective view from the distal end thereof;

FIG. 3 is a side elevation view thereof;

FIG. 4 is a top plan view thereof; and,

FIG. 5 is a bottom plan view thereof.

1 Claim, 5 Drawing Sheets



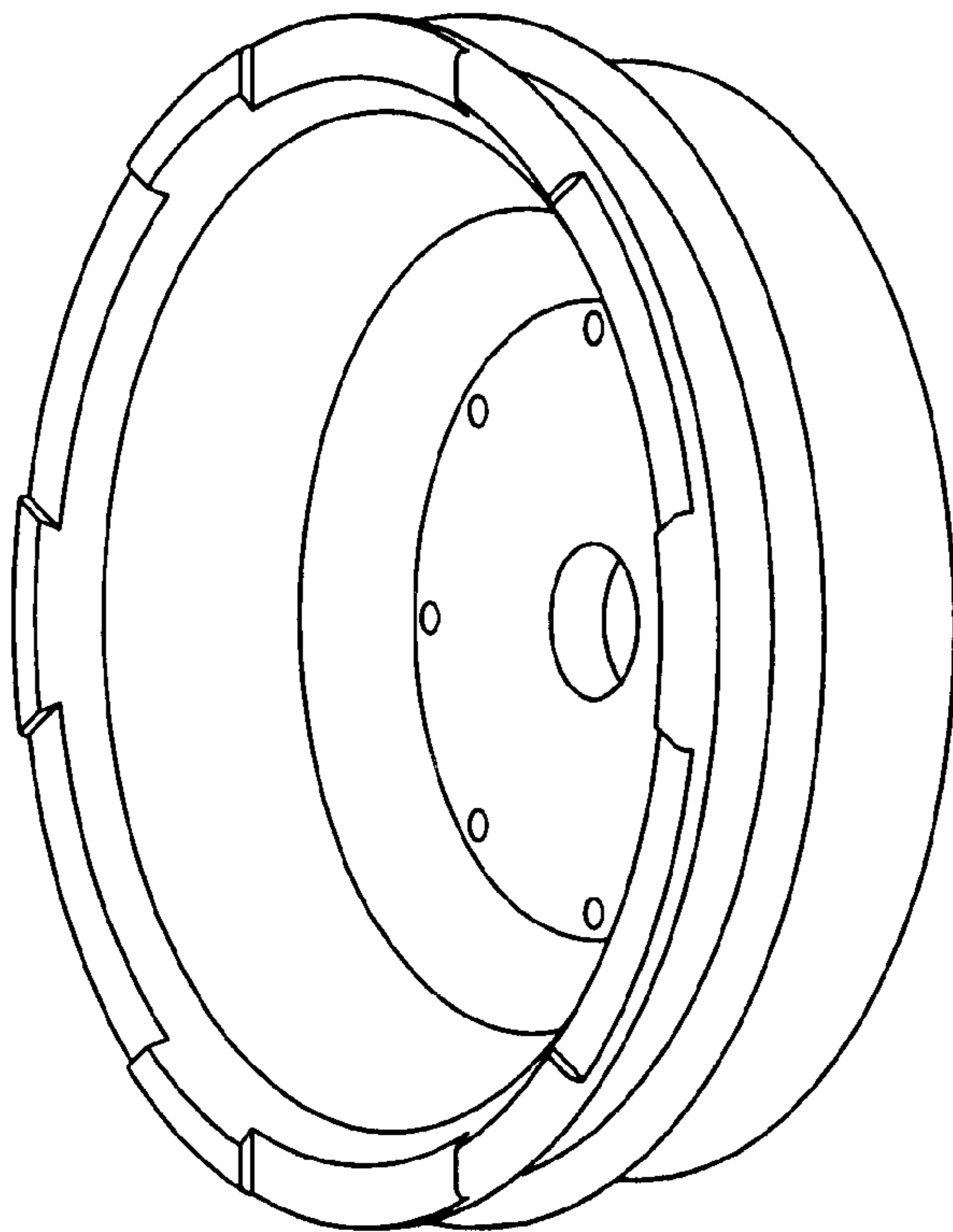


FIG. 1

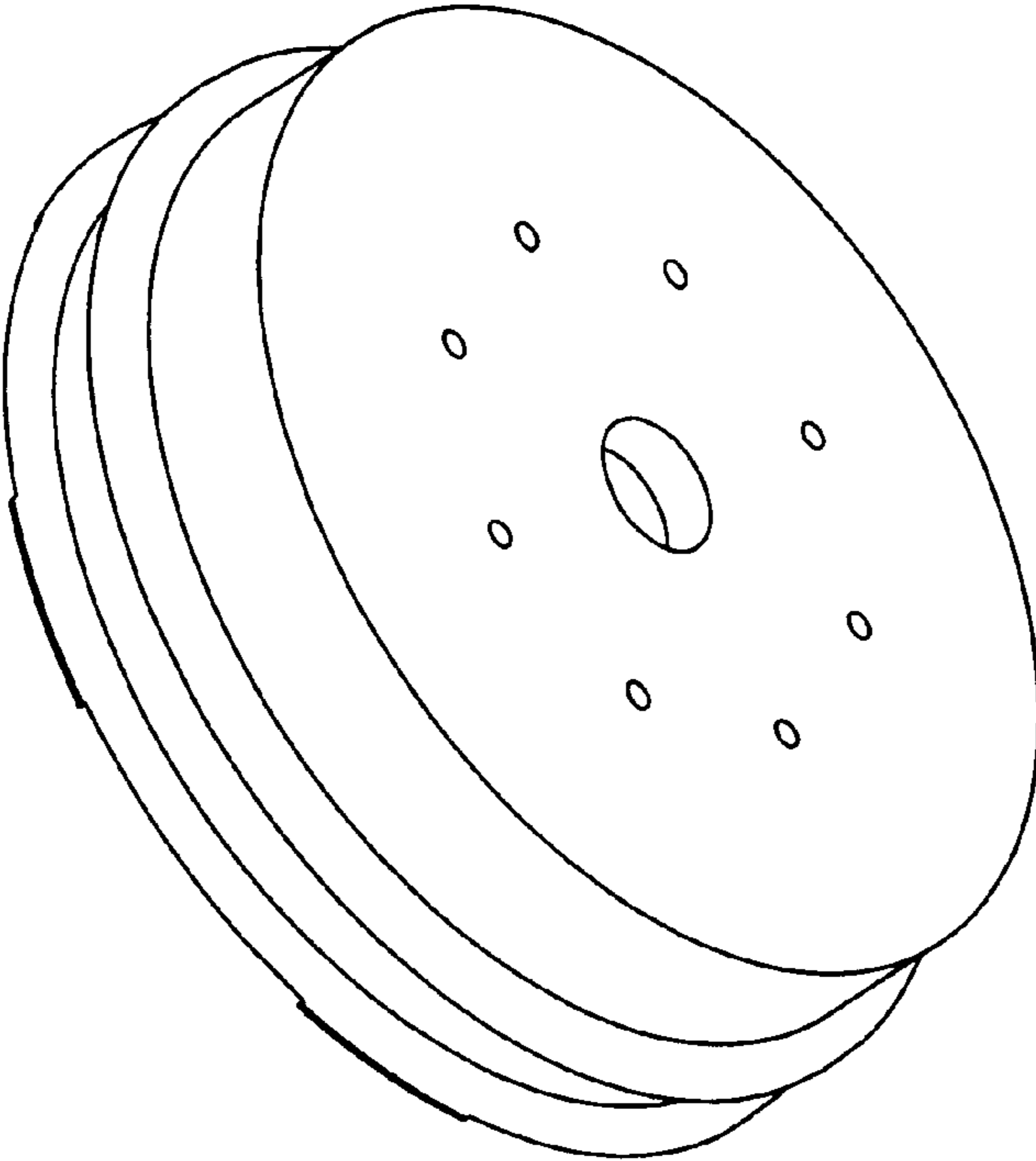


FIG. 2

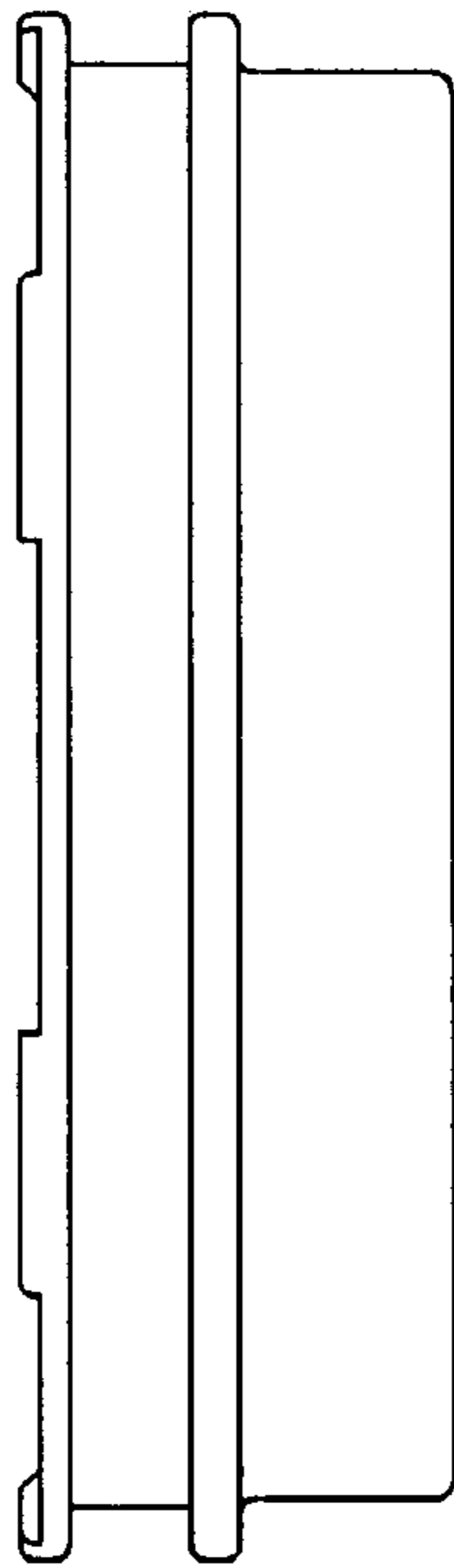


FIG. 3

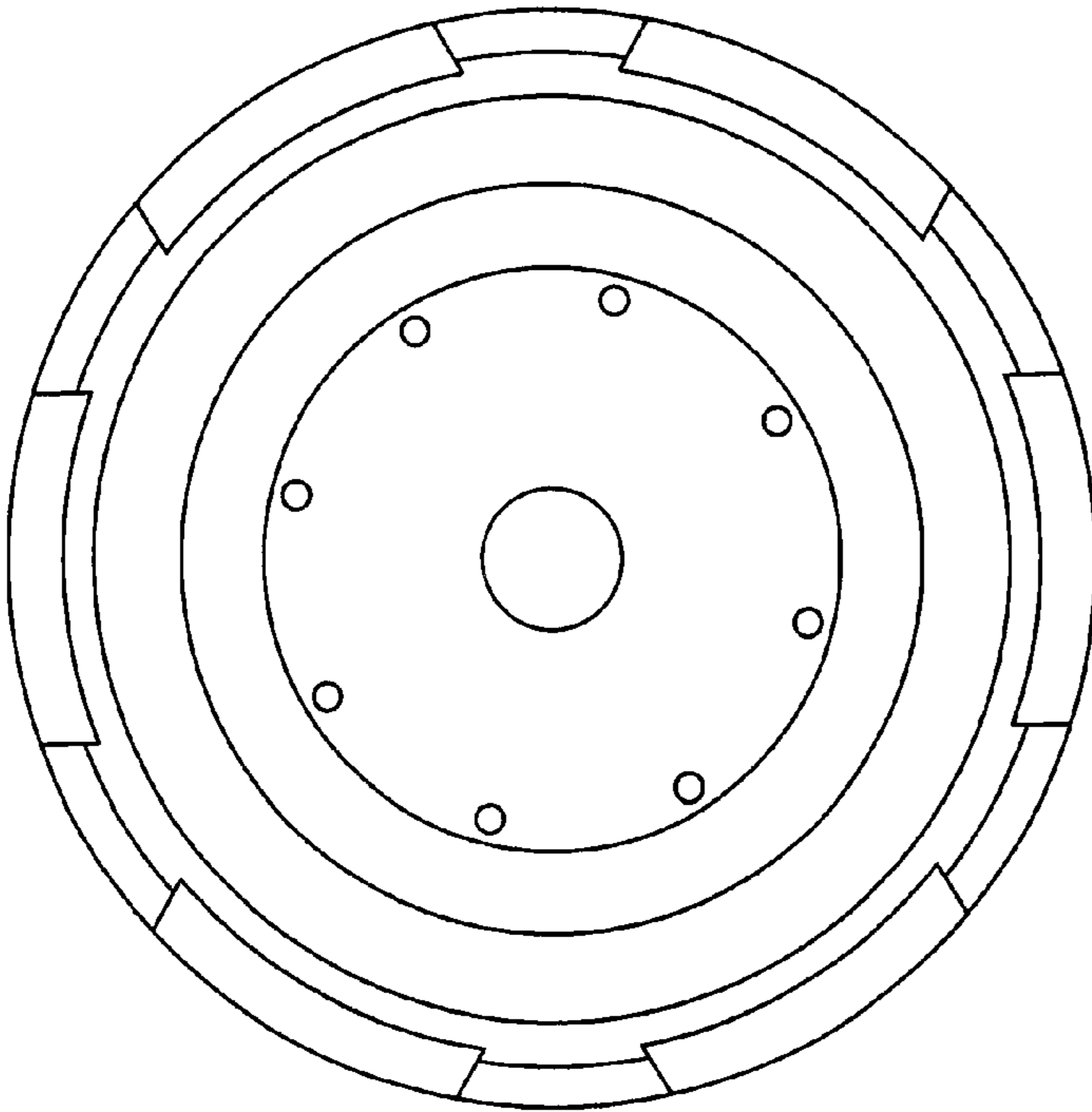


FIG. 4

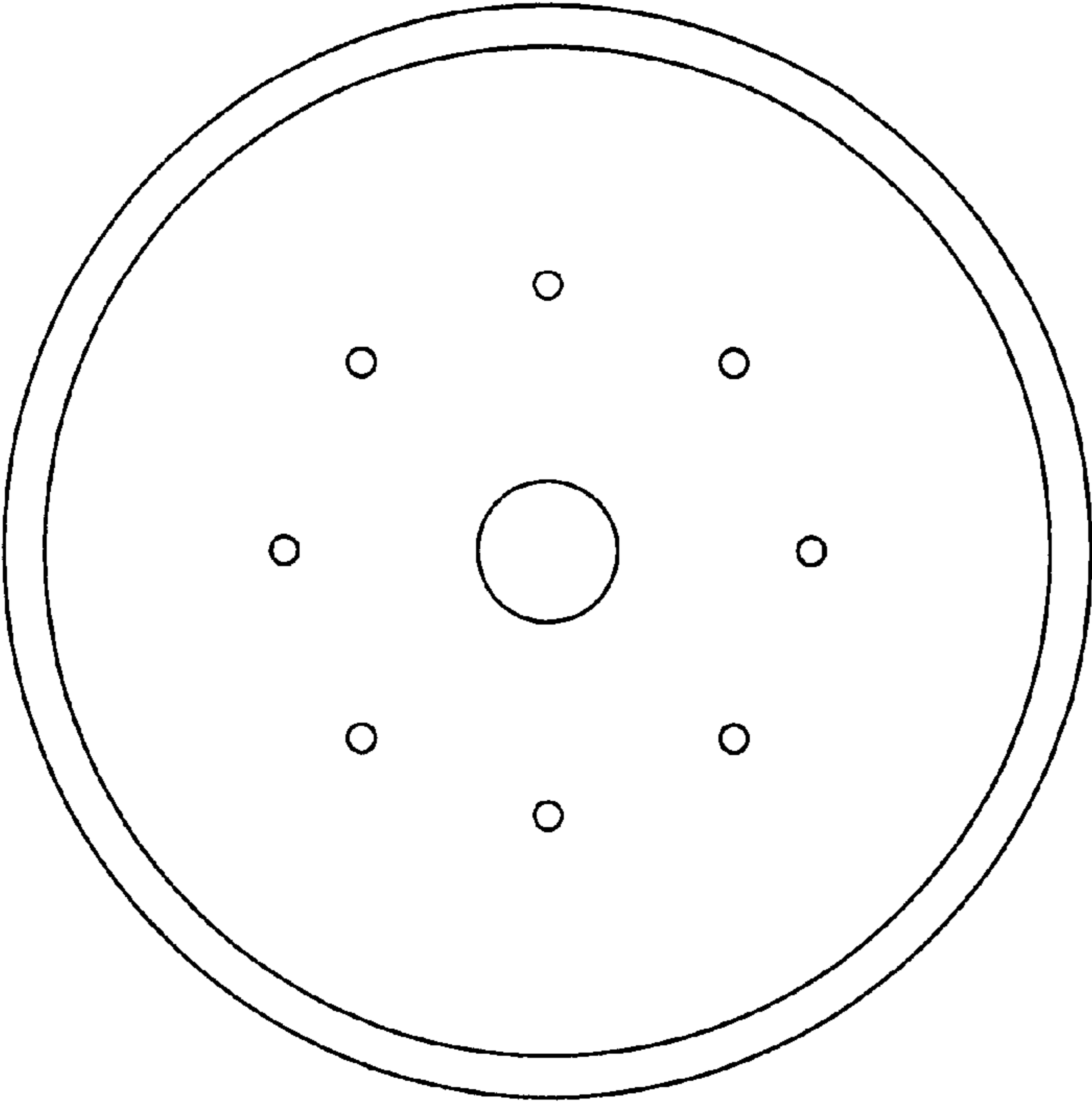


FIG. 5