



US00D523041S

(12) **United States Design Patent**
Wise

(10) **Patent No.:** **US D523,041 S**
(45) **Date of Patent:** **** Jun. 13, 2006**

(54) **COUNTERBALANCED UNIVERSAL MOBILE SAW STAND**

4,611,823 A * 9/1986 Haas 280/641
6,203,053 B1 * 3/2001 Sohrt et al. 280/641

(76) Inventor: **Robert W. Wise**, 365 Ely Rd.,
Petaluma, CA (US) 94954

* cited by examiner

(**) Term: **14 Years**

Primary Examiner—Antoine D. Davis
(74) *Attorney, Agent, or Firm*—Black Lowe Graham PLLC

(21) Appl. No.: **29/223,880**

(22) Filed: **Feb. 15, 2005**

(57) **CLAIM**

The ornamental design for a counterbalanced universal mobile saw stand, as shown and described.

Related U.S. Application Data

(63) Continuation of application No. 10/313,981, filed on Dec. 5, 2002, now Pat. No. 6,886,836.

DESCRIPTION

(51) **LOC (8) Cl.** **15-09**

FIG. 1 is a top left front perspective view of a counterbalanced universal mobile saw stand design showing my new design.

(52) **U.S. Cl.** **D15/141**

(58) **Field of Classification Search** D15/141;
83/471.1-471, 472, 425.2, 435.11, 574; 108/12,
108/80, 102, 132; 144/285, 286.1-286.5;
280/30, 41 R, 652, 47.24, 651, 47.25, 641,
280/47.27, 38, 47.28, 639, 47.33

FIG. 2 is a left side elevational view, the right side elevational view being a mirror image thereof.

FIG. 3 is a front elevational view thereof.

See application file for complete search history.

FIG. 4 is a rear elevational view thereof; and,

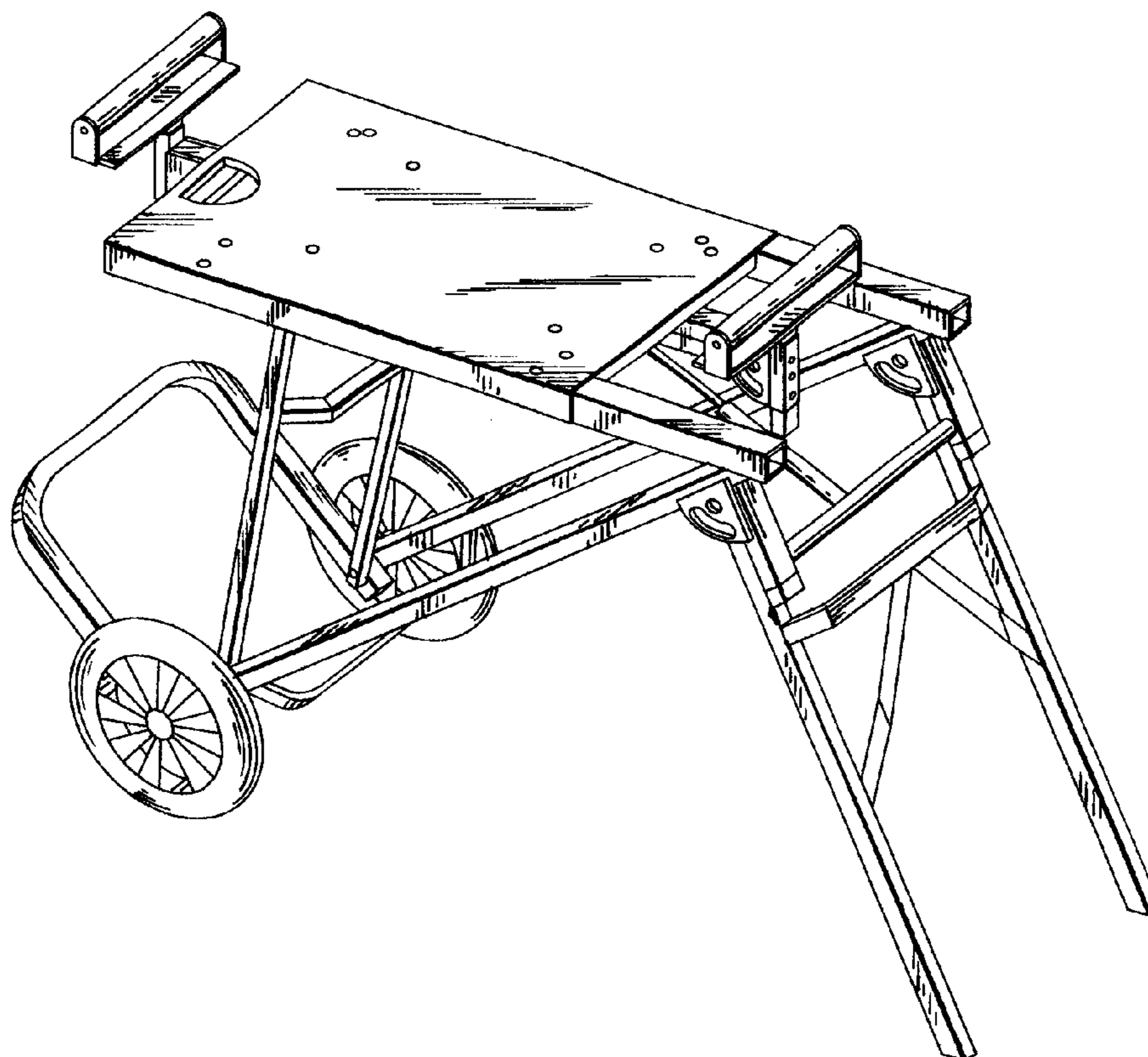
FIG. 5 is a bottom plan view thereof.

(56) **References Cited**

U.S. PATENT DOCUMENTS

3,930,663 A * 1/1976 Scriptor 280/654

1 Claim, 3 Drawing Sheets



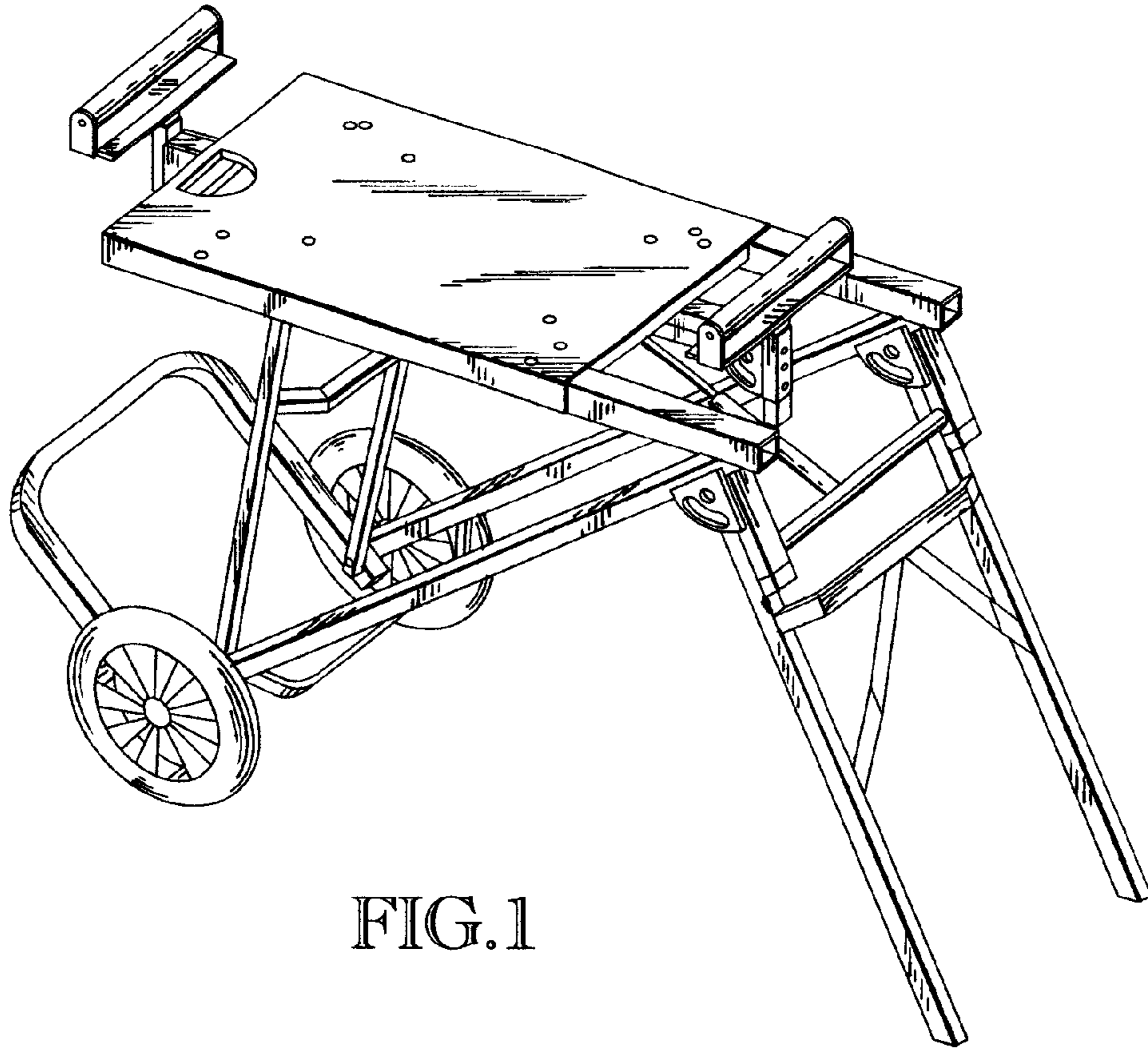


FIG. 1

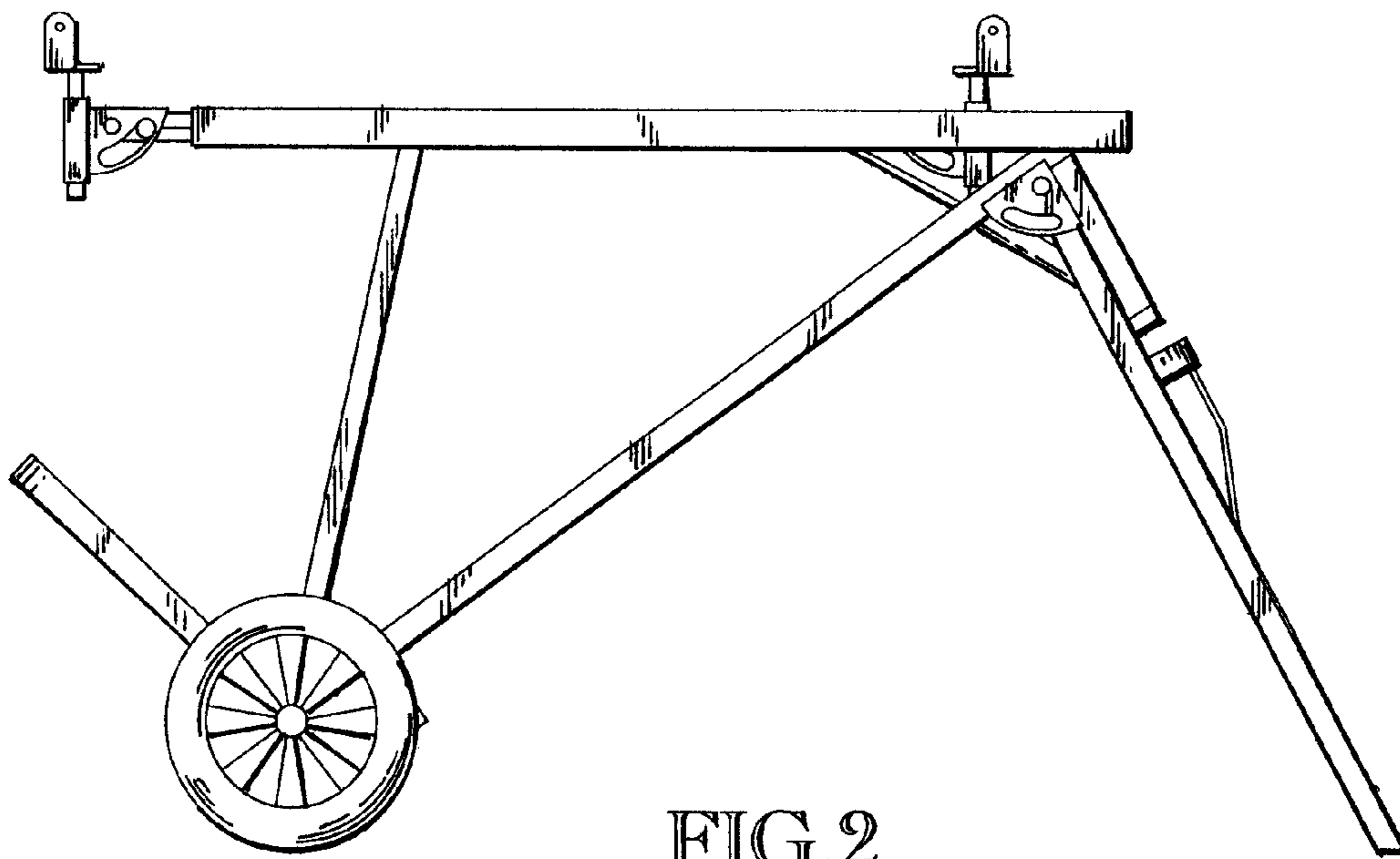


FIG. 2

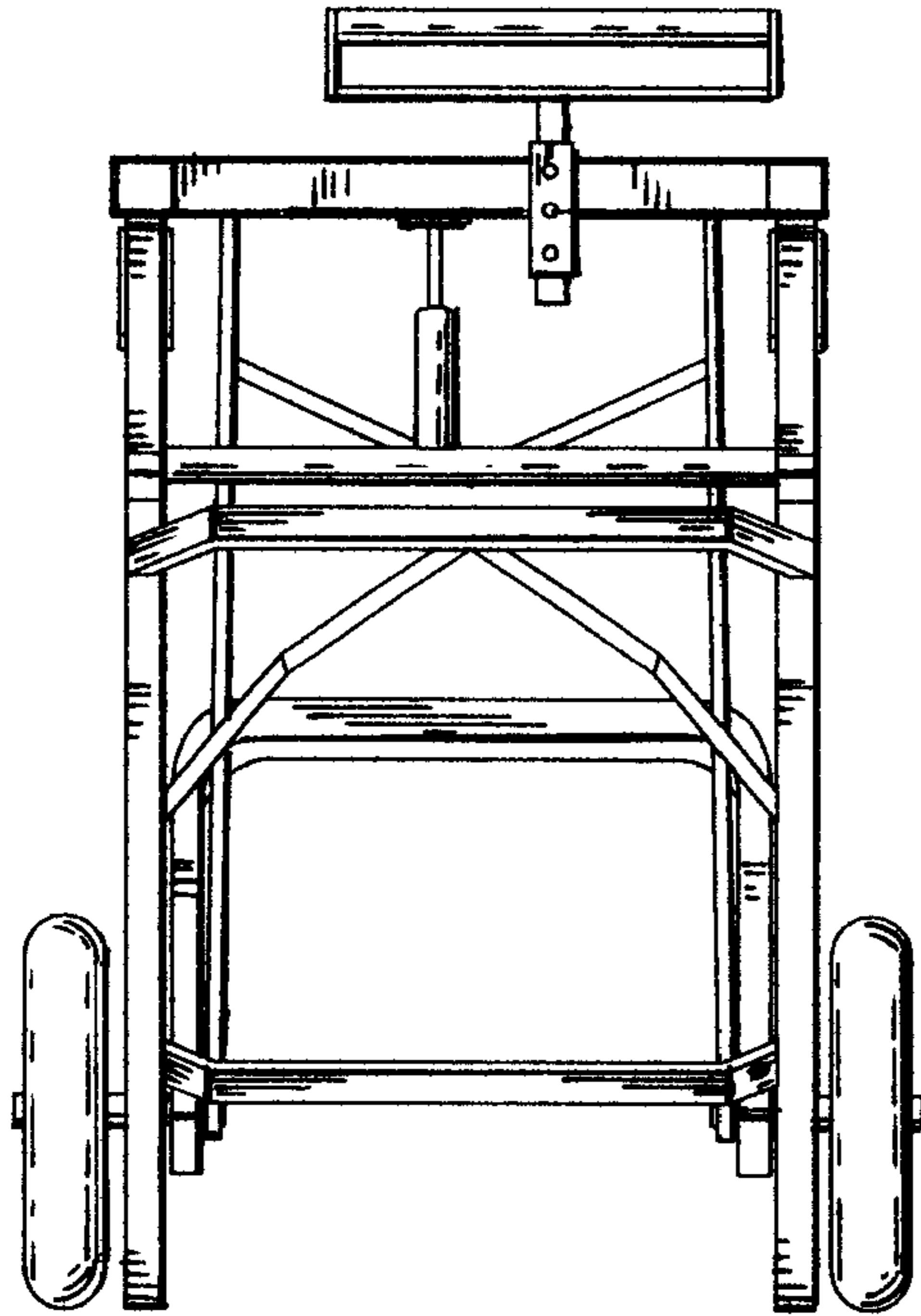


FIG. 3

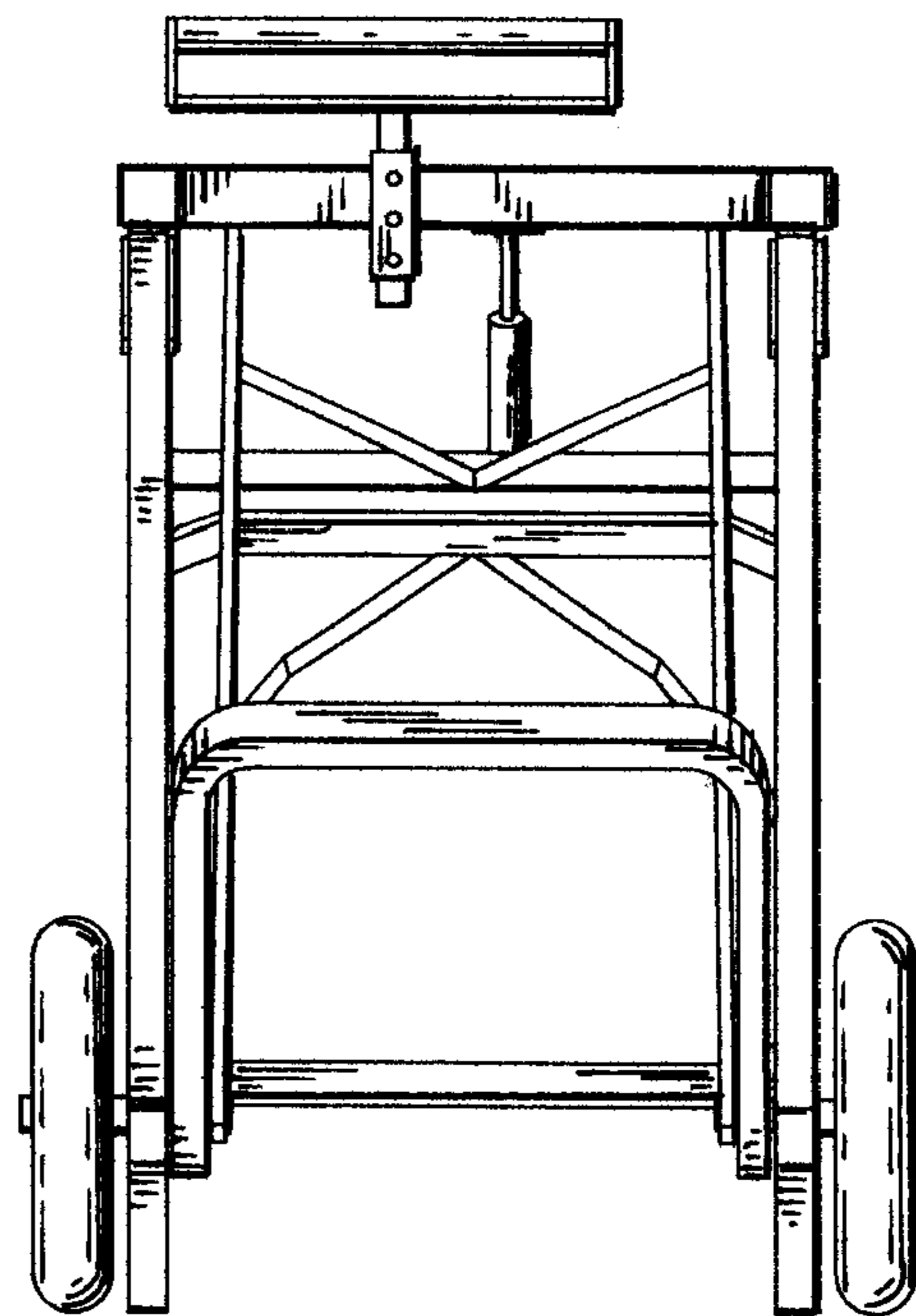


FIG. 4

FIG. 5

