

US00D523040S

(12) **United States Design Patent**
Niebauer et al.

(10) **Patent No.:** **US D523,040 S**

(45) **Date of Patent:** **** Jun. 13, 2006**

(54) **CUTTING TOOL INSERT**

(75) Inventors: **Kenneth L. Niebauer**, Ligonier, PA
(US); **David C. Johnston**, Greensburg,
PA (US)

(73) Assignee: **Kennametal Inc.**, Latrobe, PA (US)

(**) Term: **14 Years**

(21) Appl. No.: **29/240,721**

(22) Filed: **Oct. 18, 2005**

(51) **LOC (8) Cl.** **15-09**

(52) **U.S. Cl.** **D15/139**

(58) **Field of Classification Search** D15/138,
D15/139; 407/35, 42, 112-119
See application file for complete search history.

(56) **References Cited**

U.S. PATENT DOCUMENTS

D359,057 S 6/1995 Niebauer

5,743,681 A * 4/1998 Wiman et al. 407/114
D426,562 S * 6/2000 Kasperik et al. D15/139
D426,839 S * 6/2000 Morrison et al. D15/139
D434,051 S * 11/2000 Kasperik et al. D15/139

* cited by examiner

Primary Examiner—Antoine D. Davis

Assistant Examiner—Patricia Palasik

(74) *Attorney, Agent, or Firm*—Larry R. Meenan

(57) **CLAIM**

The ornamental design for a cutting tool insert, as shown and described.

DESCRIPTION

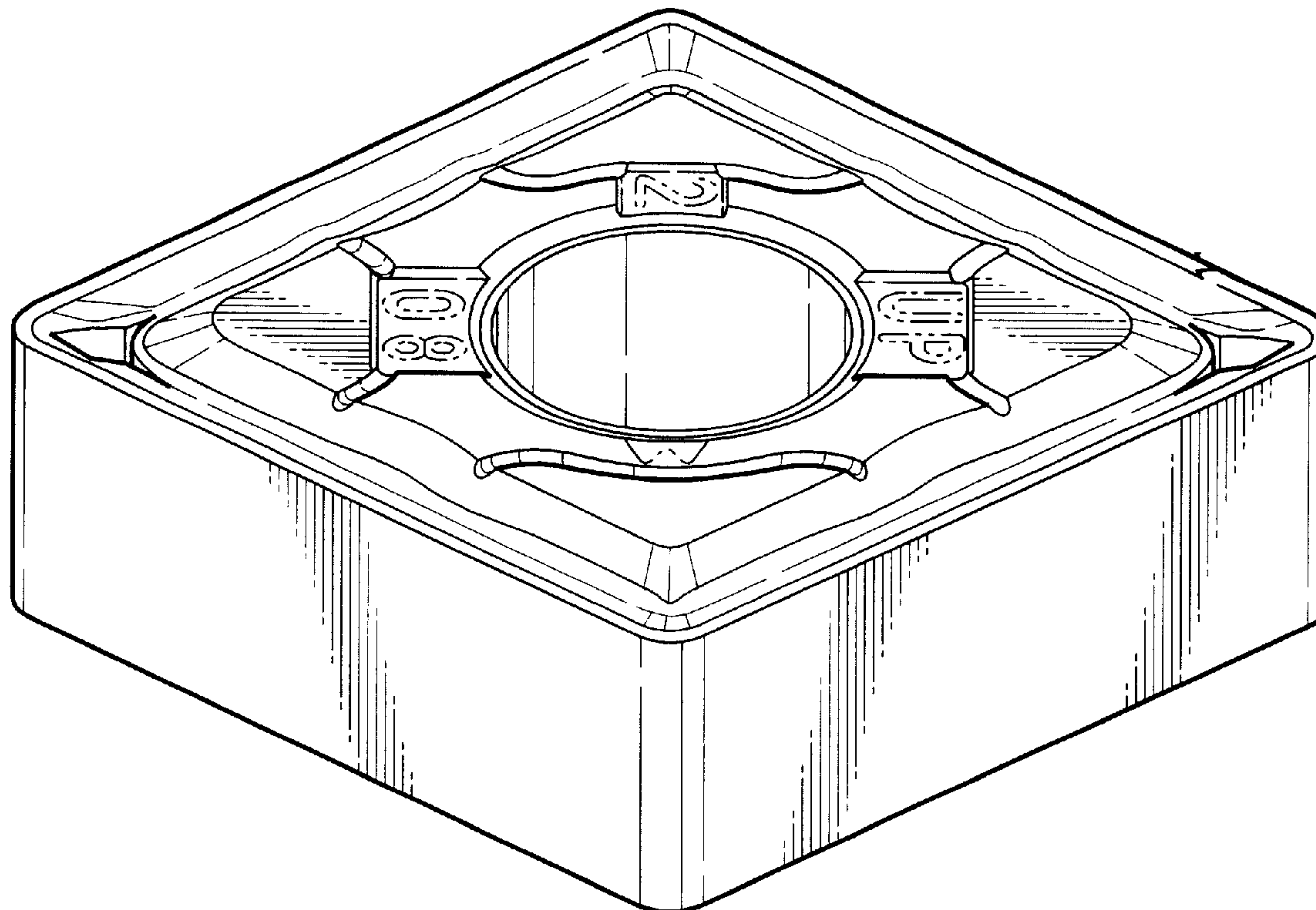
FIG. 1 is a perspective view of a cutting insert showing our new design;

FIG. 2 is a top view of the cutting insert of FIG. 1;

FIG. 3 is a side view of the cutting insert of FIG. 1; and,

FIG. 4 is a side view of the cutting insert of FIG. 1.

1 Claim, 2 Drawing Sheets



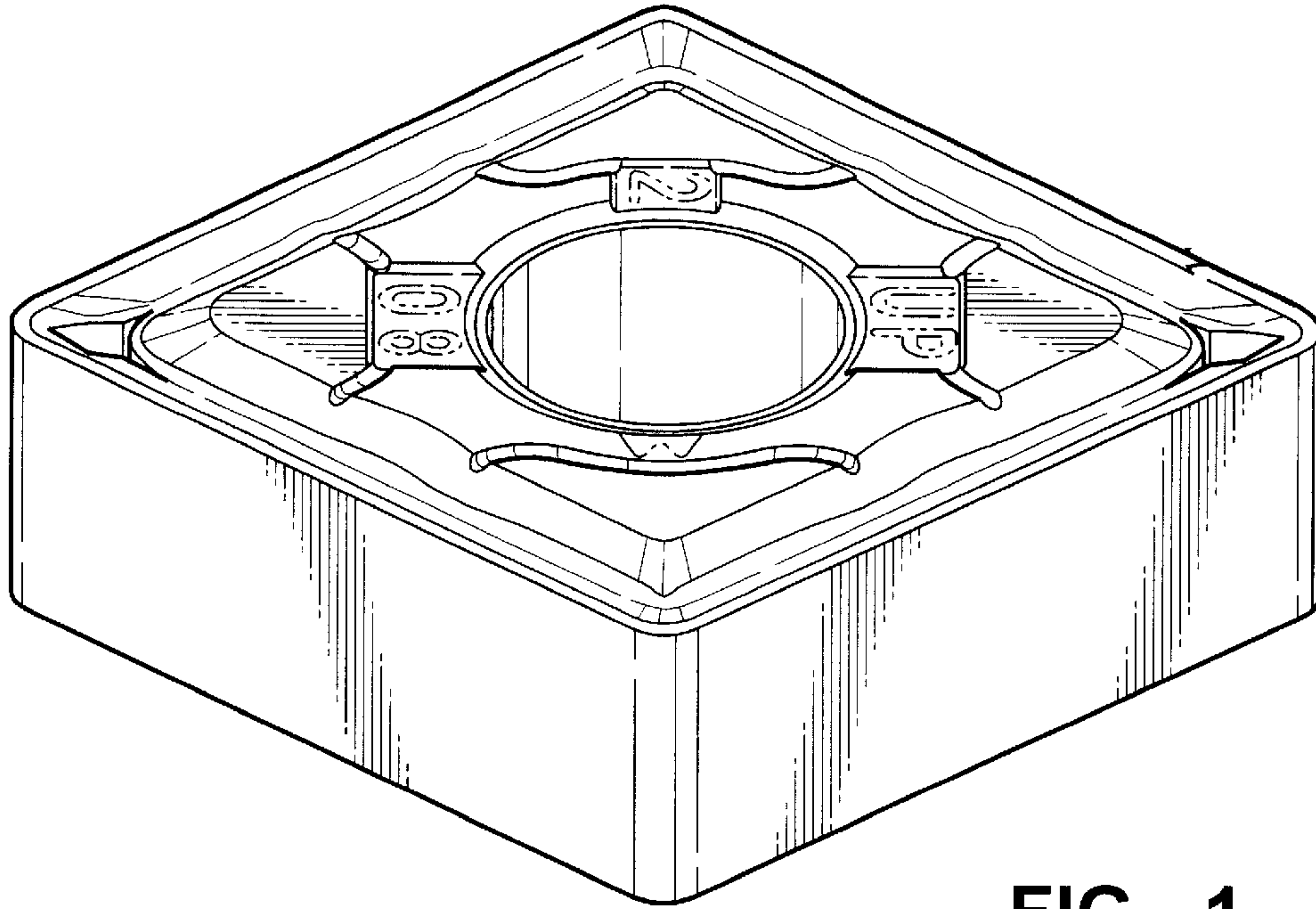


FIG - 1

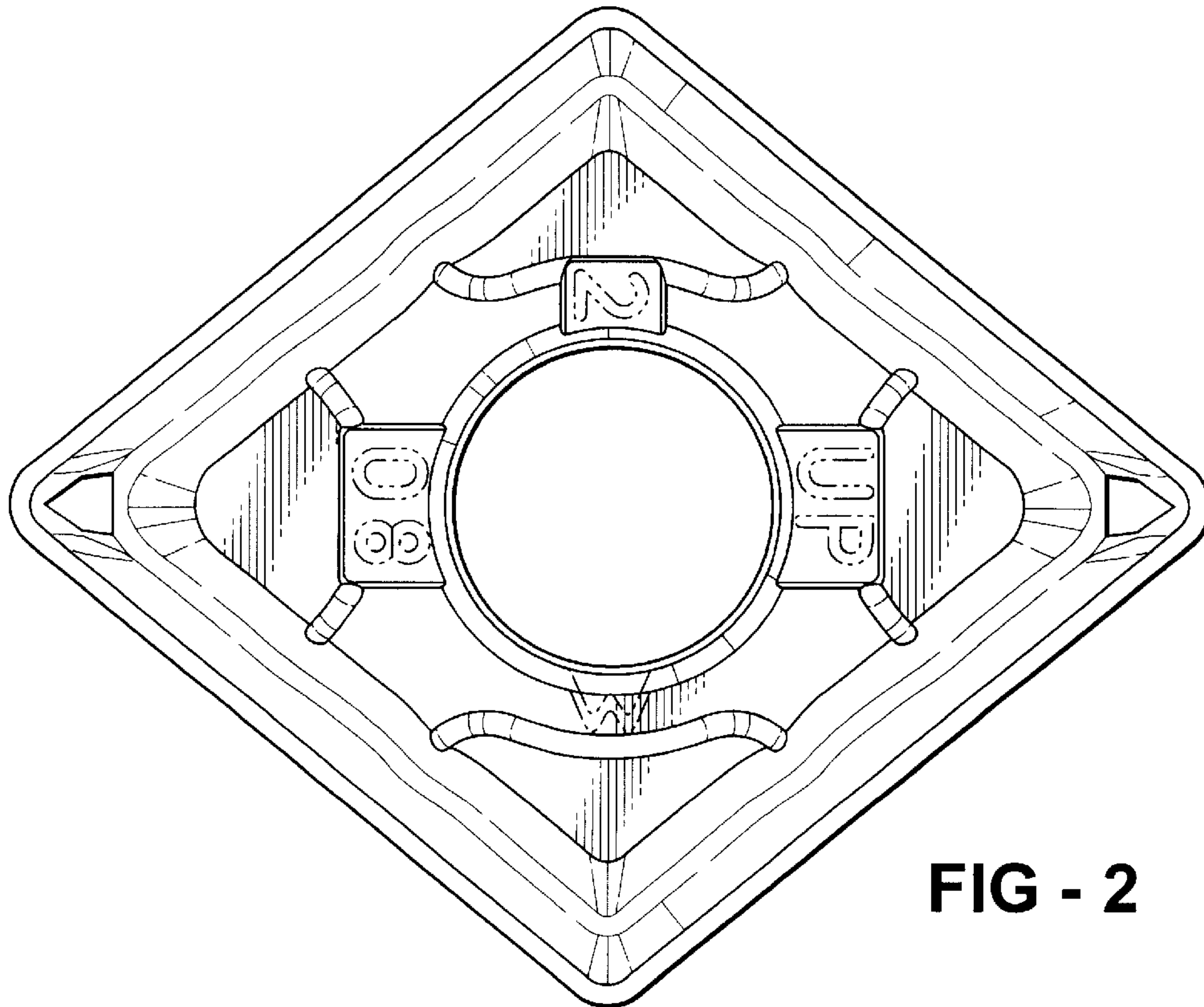


FIG - 2

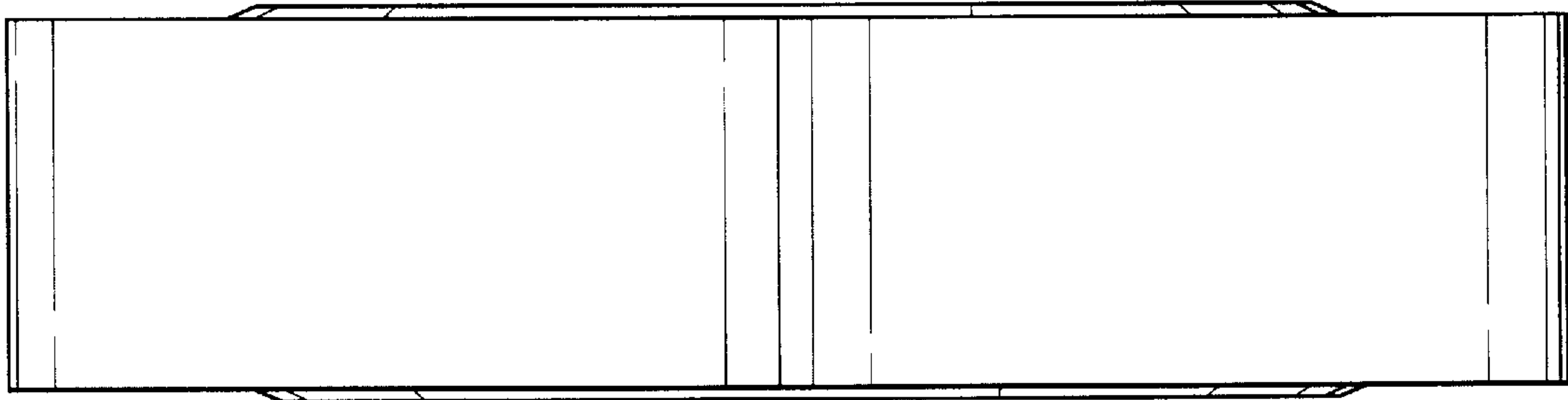


FIG - 3

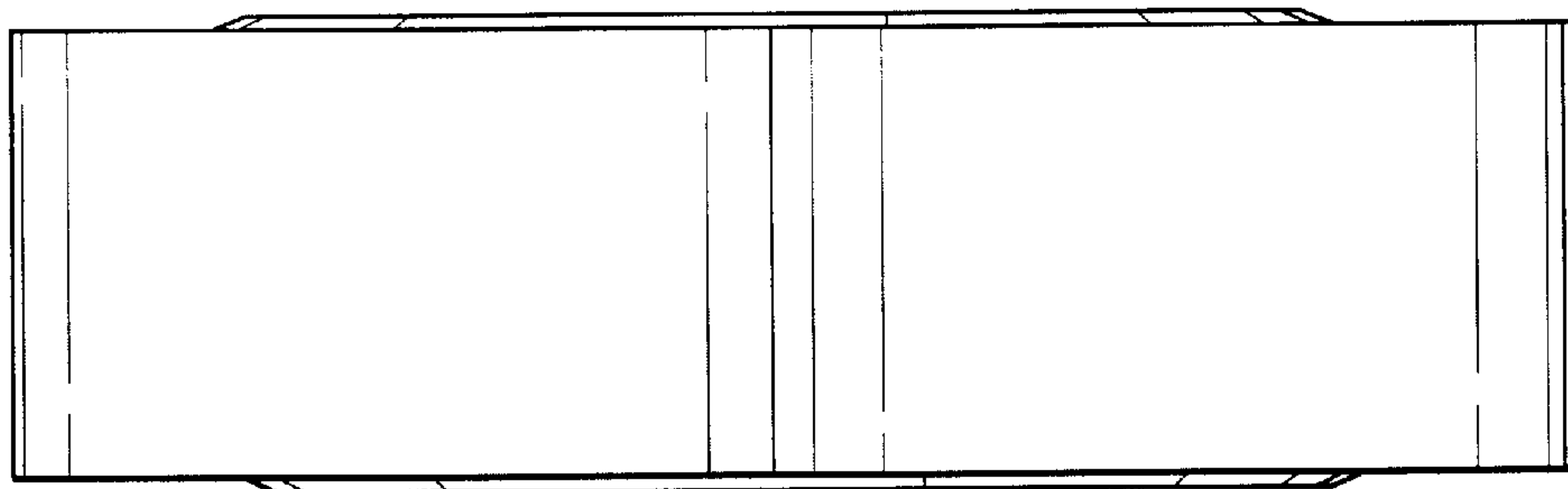


FIG - 4