



US00D523038S

(12) **United States Design Patent**
Wright et al.

(10) **Patent No.:** **US D523,038 S**

(45) **Date of Patent:** **** Jun. 13, 2006**

(54) **SAW**

5,720,095 A * 2/1998 Lennartsson 29/509
6,272,960 B1 * 8/2001 Dibbern et al. 30/517

(75) Inventors: **Stuart J. Wright**, Timonium, MD (US); **Daniel N. Lopano**, Towson, MD (US); **Gregg L. Sheddy**, Shrewsbury, PA (US); **Peter Chaikowsky**, Bel Air, MD (US); **James D. Schroeder**, Dallastown, PA (US); **Warren A. Ceroll**, Owings Mills, MD (US); **Darren B. Moss**, Cockeysville, MD (US)

* cited by examiner

Primary Examiner—Antoine D. Davis
(74) *Attorney, Agent, or Firm*—Adan Ayala; Scott B. Markow

(73) Assignee: **Black & Decker Inc.**, Newark, DE (US)

(**) Term: **14 Years**

(21) Appl. No.: **29/213,353**

(22) Filed: **Sep. 16, 2004**

(57) **CLAIM**

The ornamental design for a saw, as shown and described.

DESCRIPTION

FIGS. 1 and 2 are front perspective views of a saw according to the invention, where FIGS. 1 and 2 show the saw with a table in retracted and extended positions, respectively.

FIG. 3 is a rear perspective view of the saw with a table in the extended position.

FIGS. 4 and 5 are top plan views of the saw, where FIGS. 4 and 5 show the saw with a table in retracted and extended positions, respectively.

FIGS. 6 and 7 are right side elevational views of the saw, where FIGS. 6 and 7 show the saw with a table in retracted and extended positions, respectively.

FIGS. 8 and 9 are left side elevational views of the saw, where FIGS. 8 and 9 show the saw with a table in retracted and extended positions, respectively.

FIG. 10 is a front elevational view of the saw.

FIG. 11 is a rear elevational view of the saw; and,

FIGS. 12 and 13 are bottom plan views of the saw, where FIGS. 12 and 13 show the saw with a table in retracted and extended positions, respectively.

In the above drawings, any views not shown thereof do not form a part of the invention. In addition, any wording or numerals shown therein does not form a part of the invention.

Related U.S. Application Data

(63) Continuation of application No. 29/192,203, filed on Oct. 21, 2003, now Pat. No. Des. 510,048, which is a continuation of application No. 29/170,049, filed on Oct. 30, 2002, now Pat. No. Des. 486,165.

(51) **LOC (8) Cl.** **15-09**

(52) **U.S. Cl.** **D15/133**

(58) **Field of Classification Search** D15/133;
30/377-378, 388-391, 517-525; 83/471.2,
83/471.3, 581, 472, 477.1, 477.2

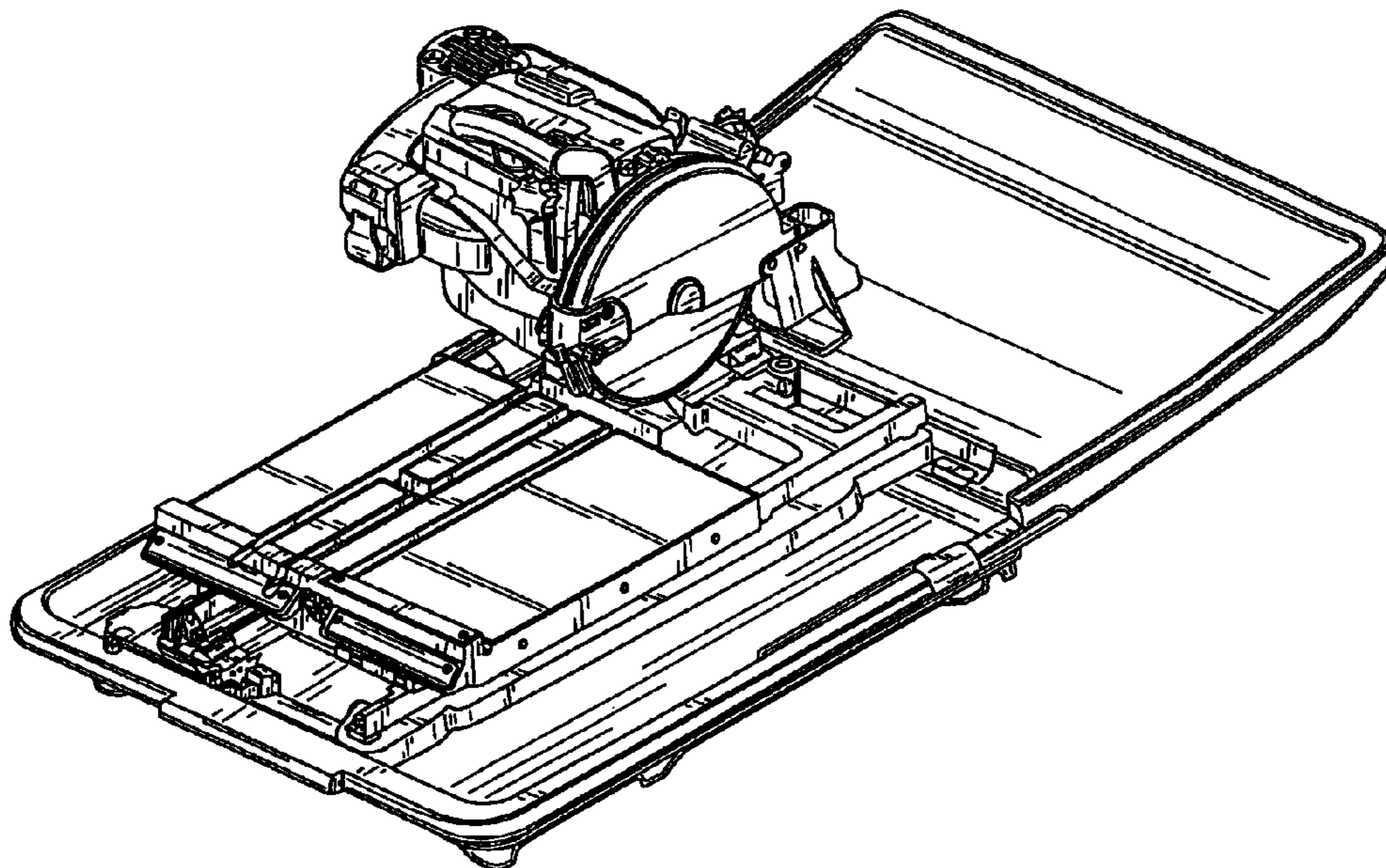
See application file for complete search history.

(56) **References Cited**

U.S. PATENT DOCUMENTS

D372,484 S * 8/1996 Price et al. D15/133

1 Claim, 13 Drawing Sheets



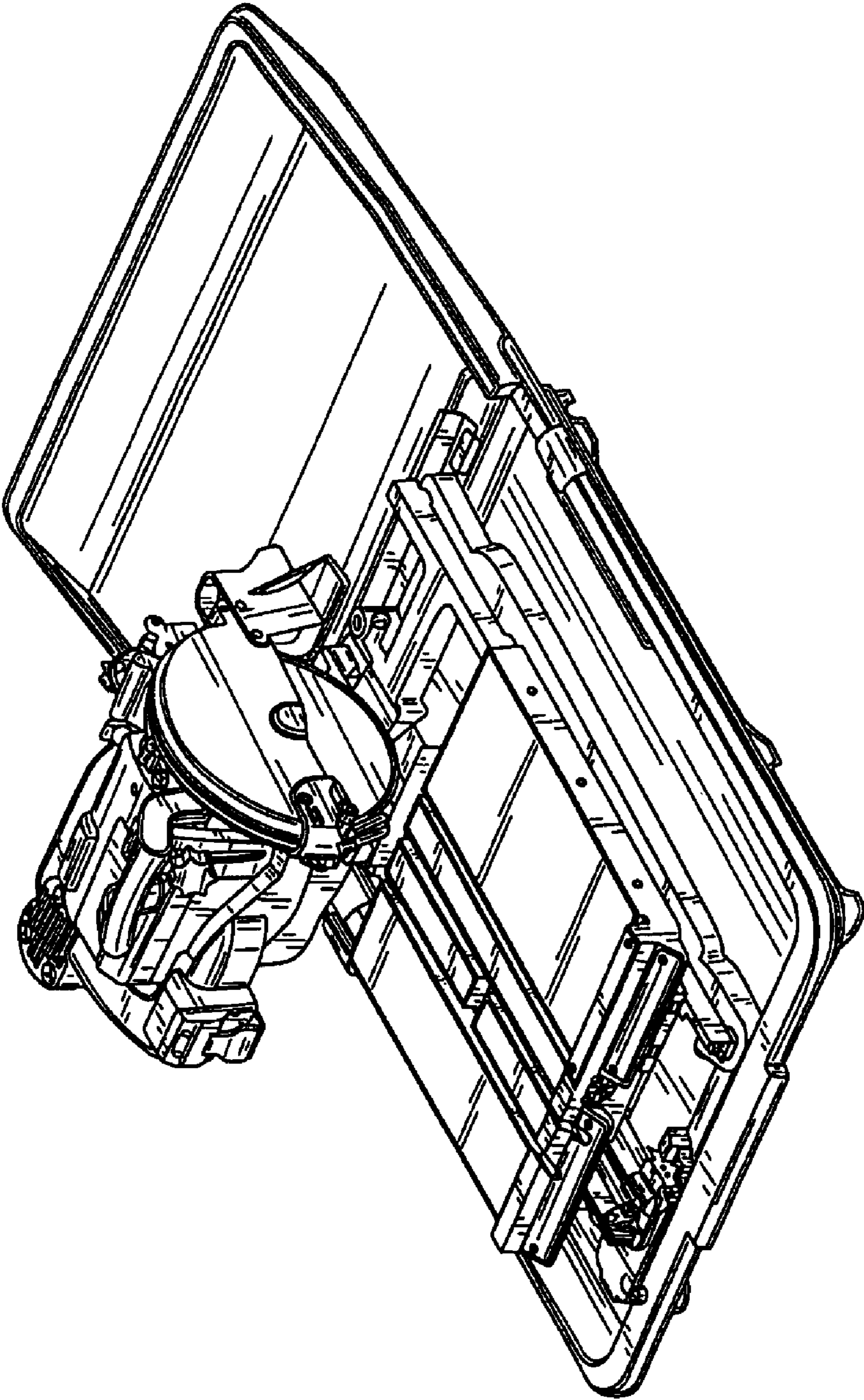


FIG. 1

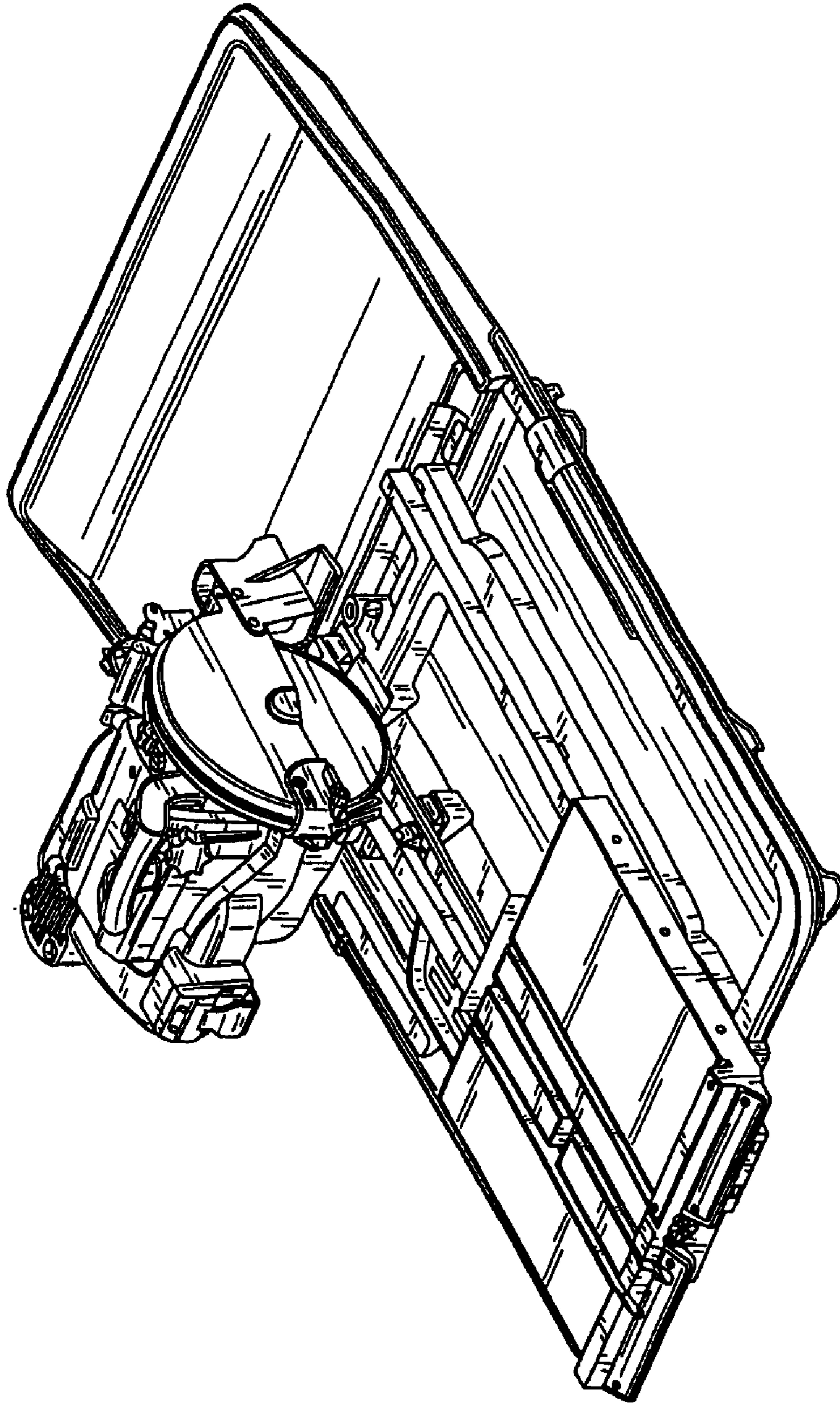


FIG. 2

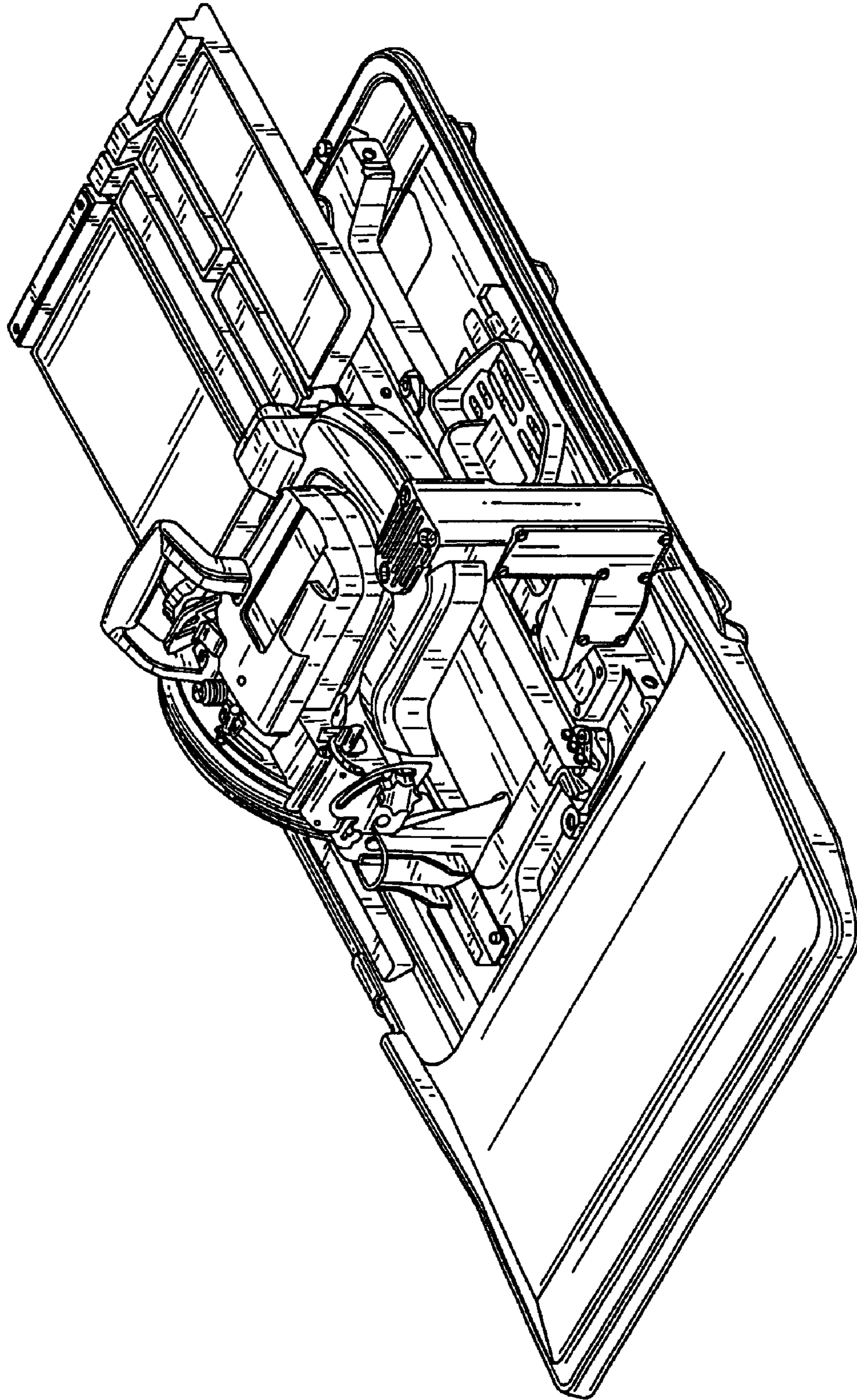


FIG. 3

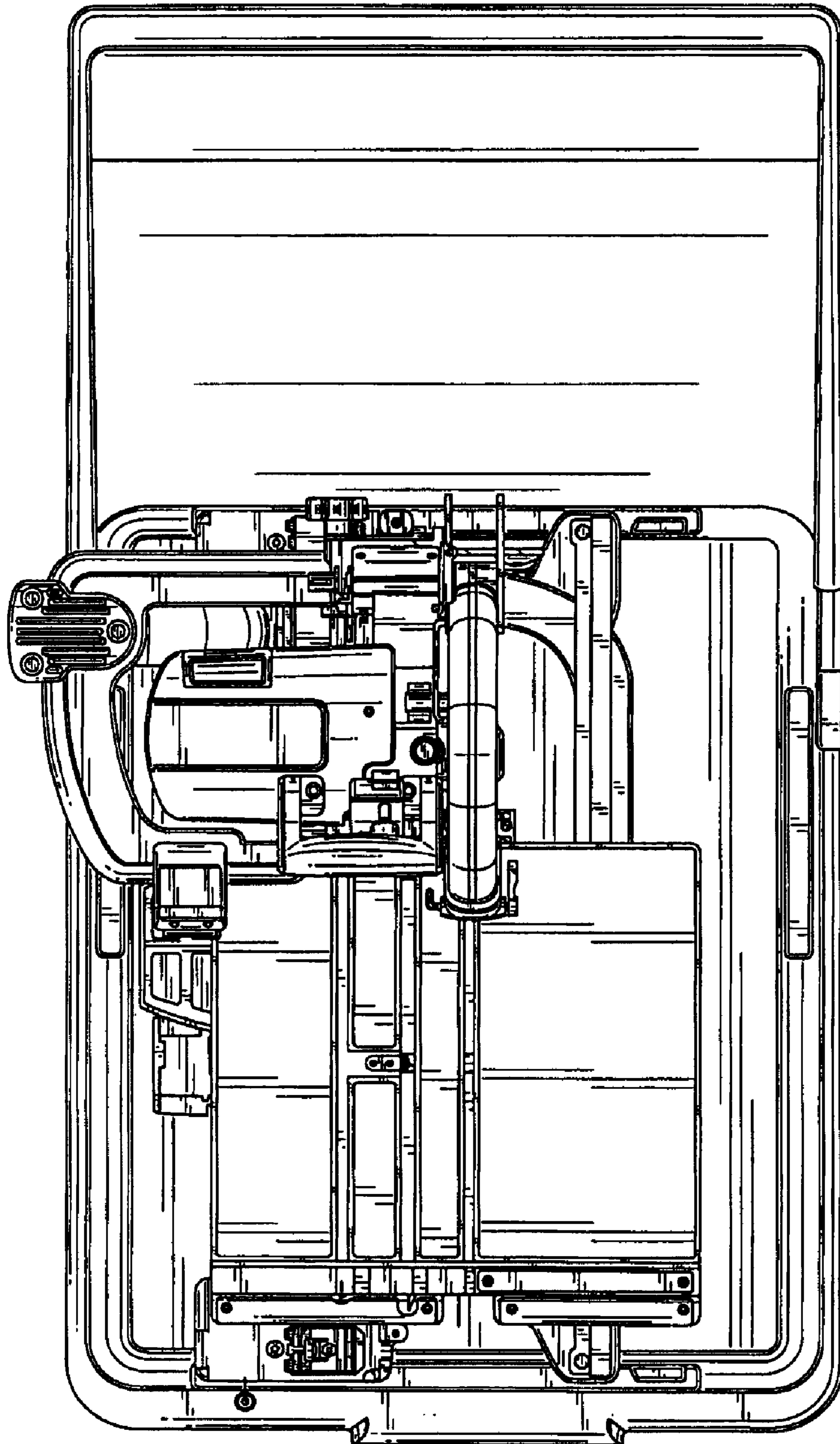


FIG. 4

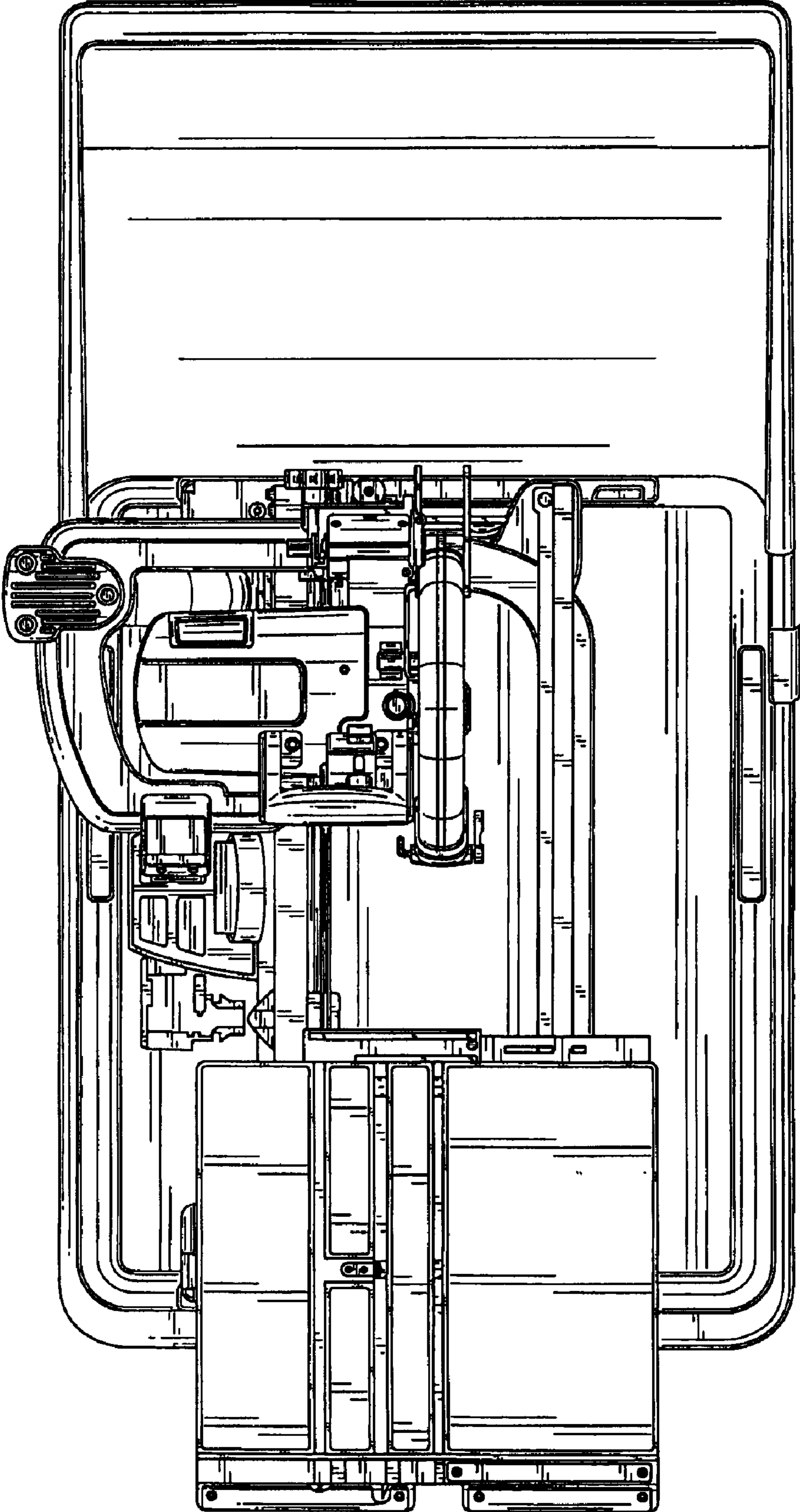


FIG. 5

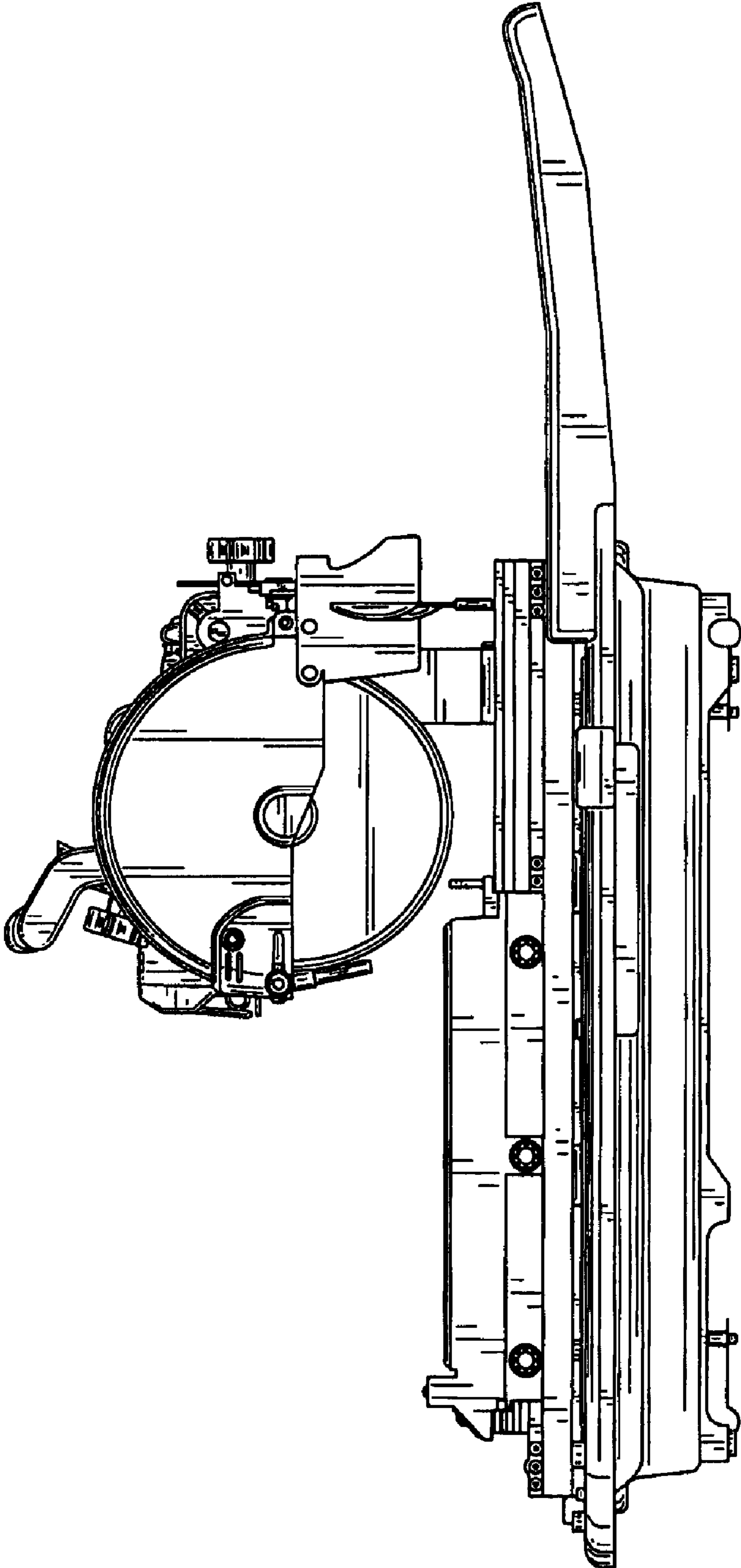


FIG. 6

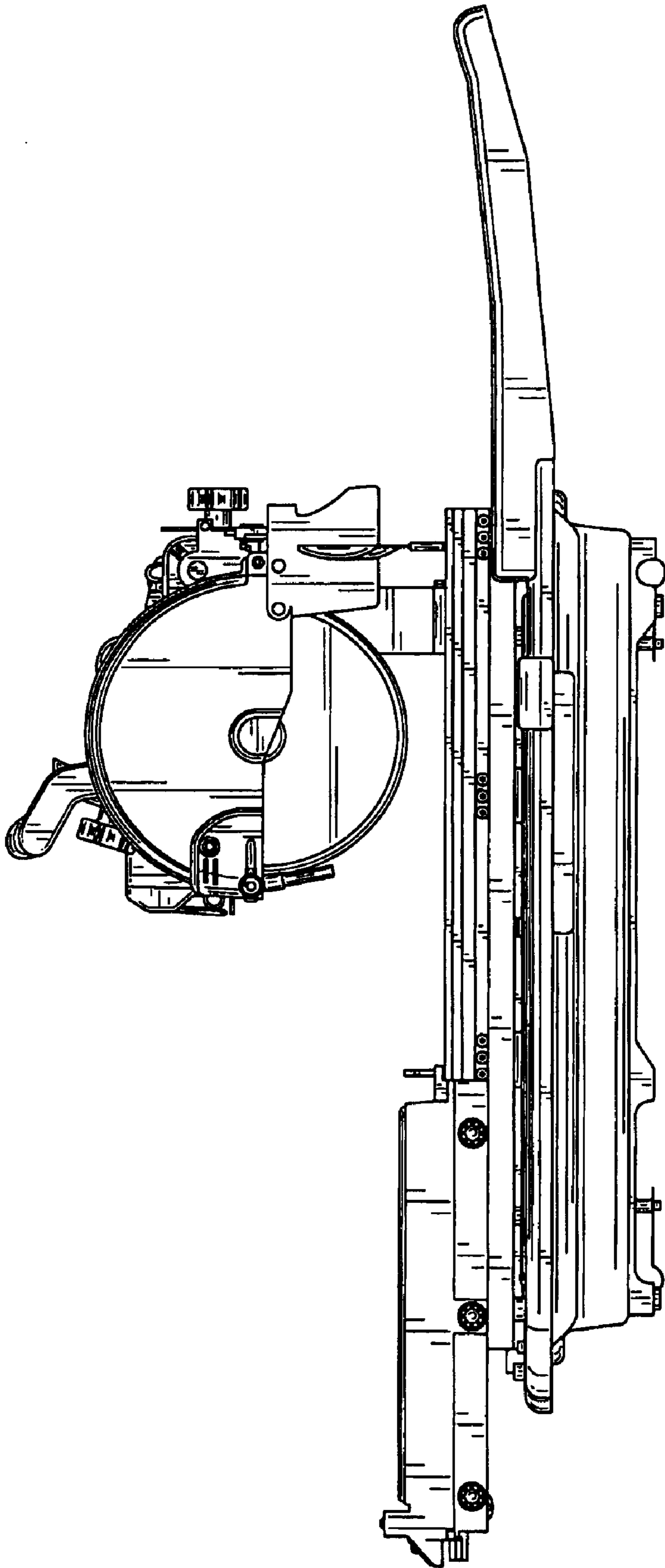


FIG. 7

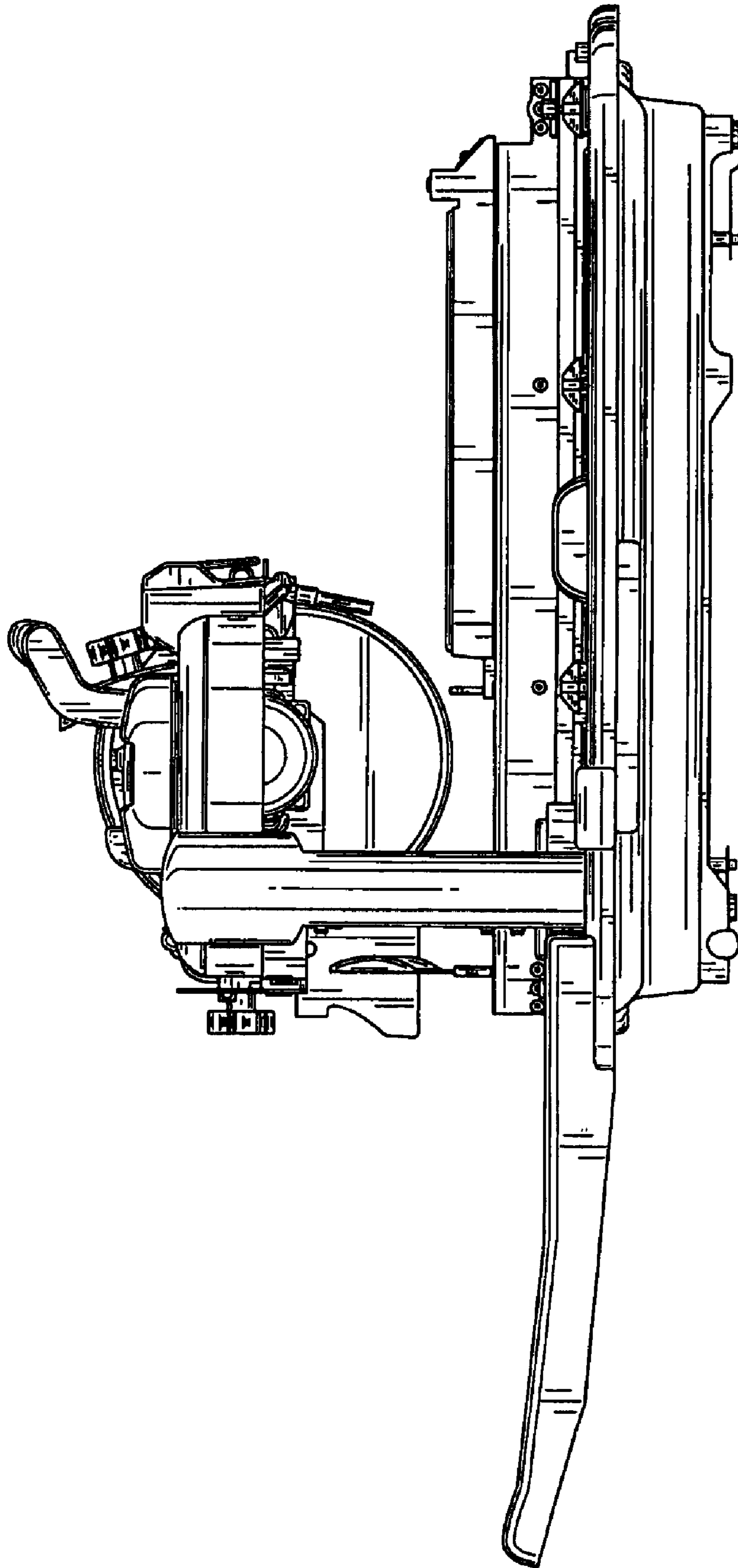


FIG. 8

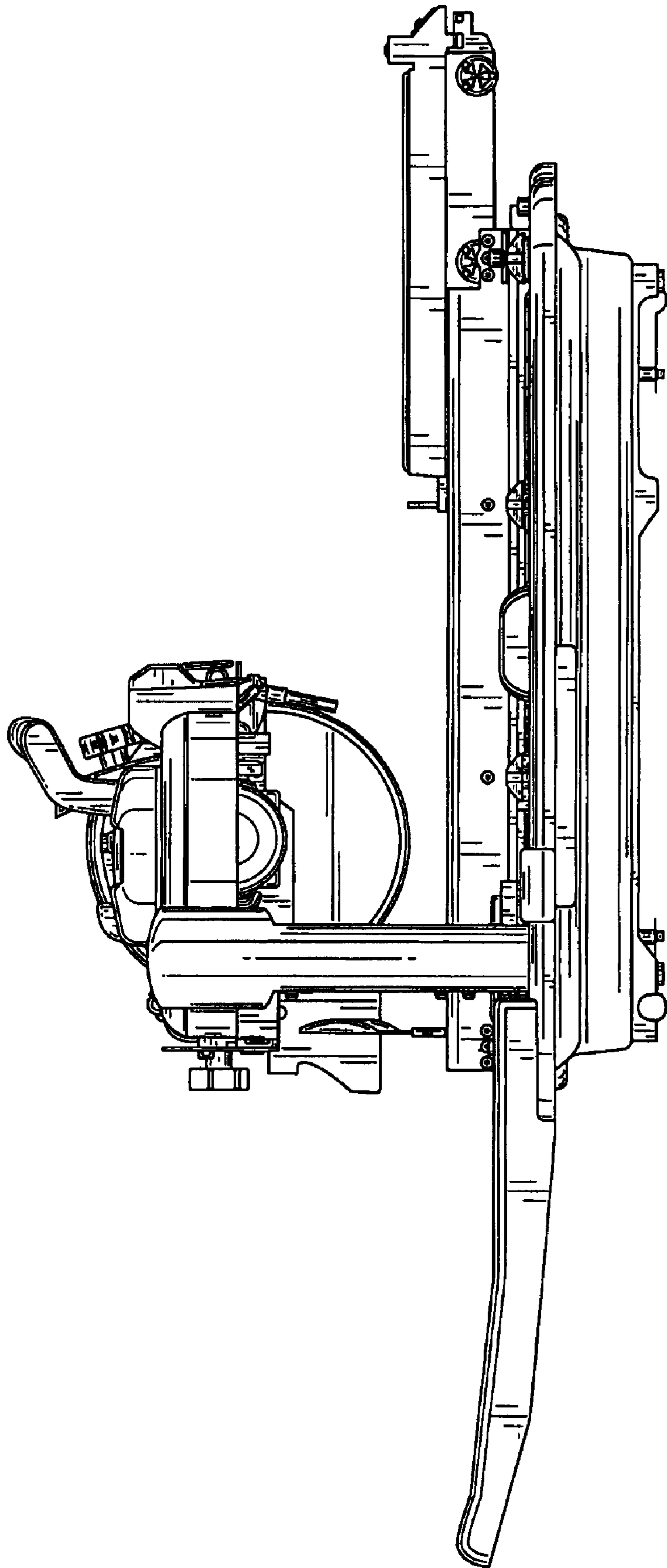


FIG. 9

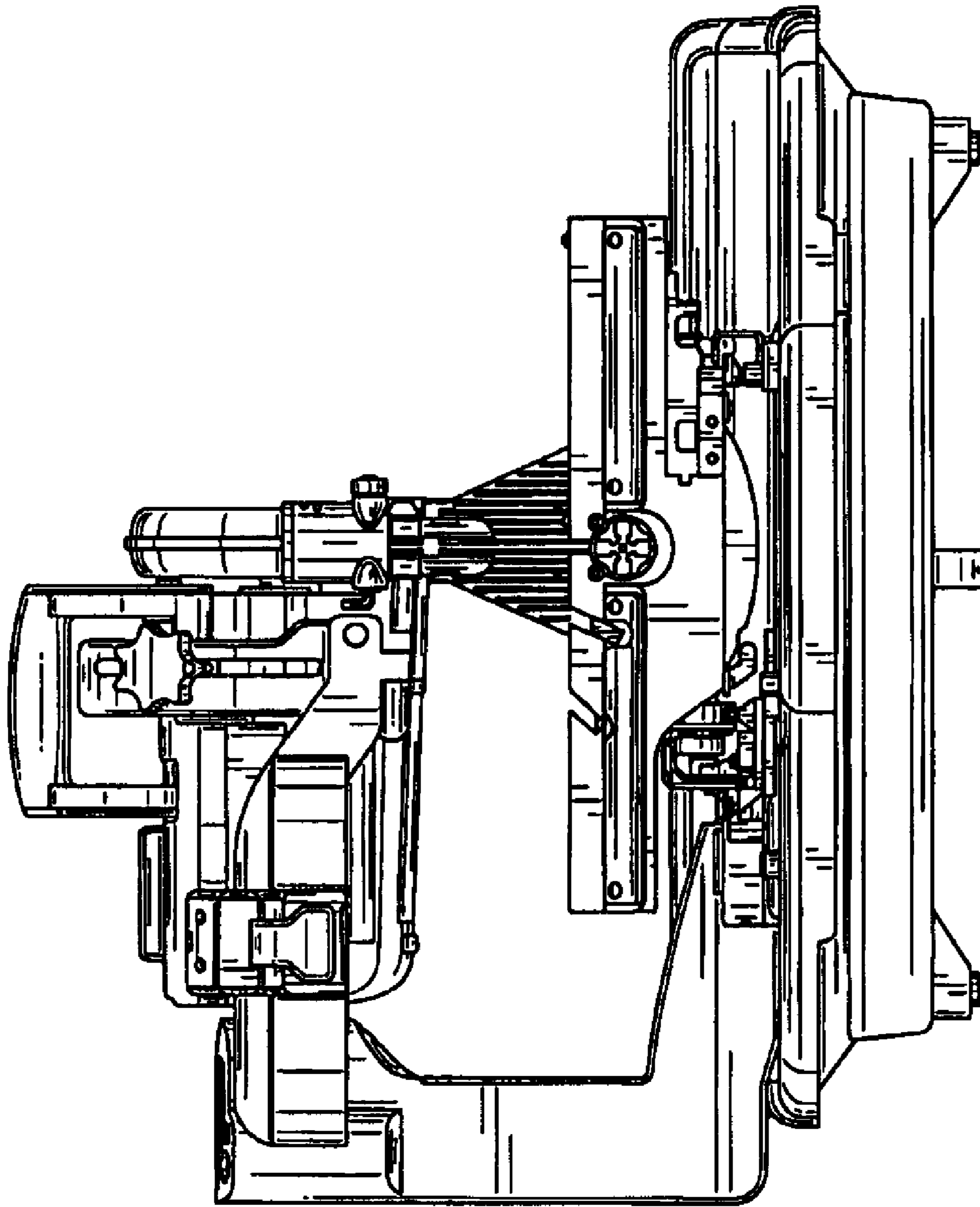


FIG. 10

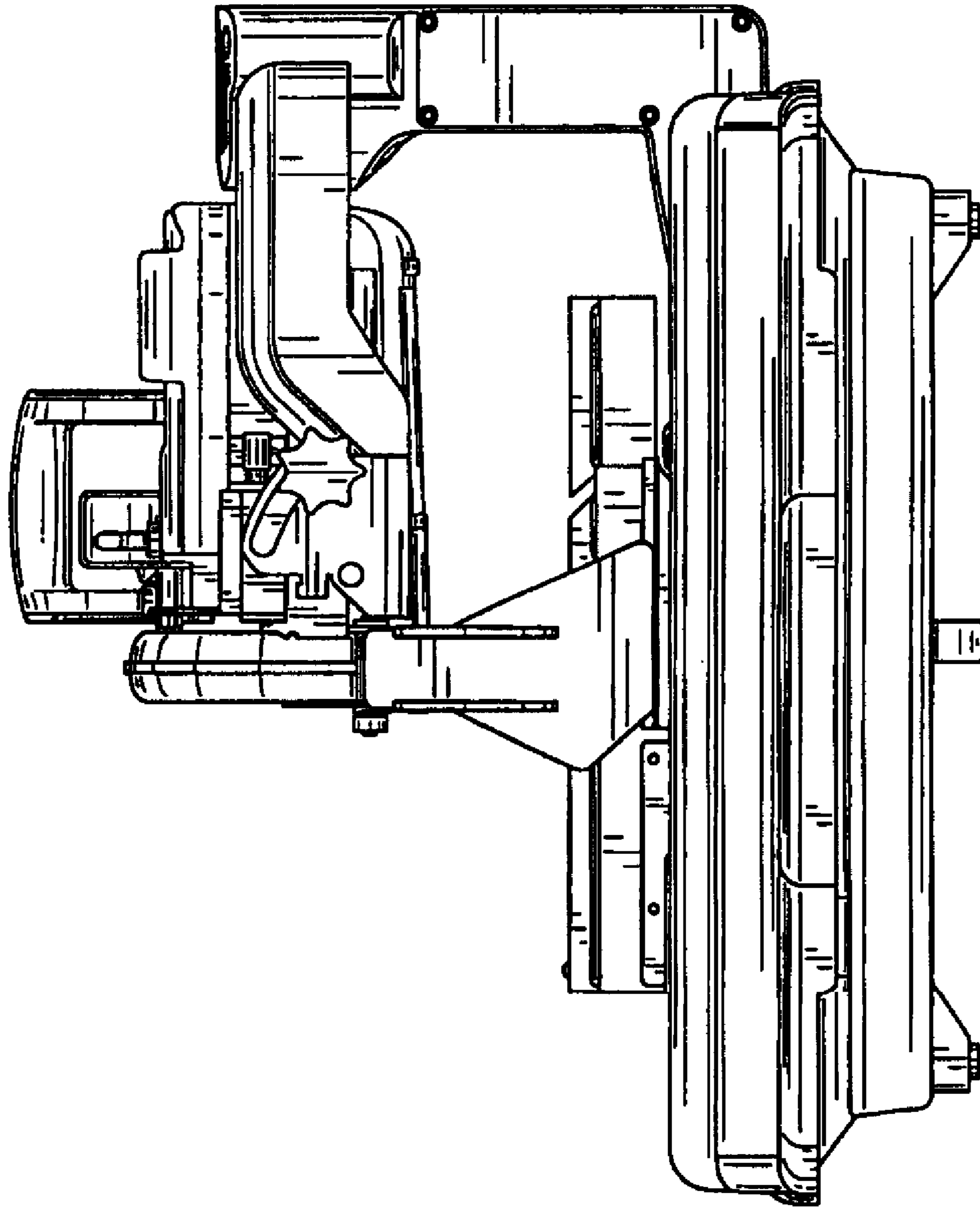


FIG. 11

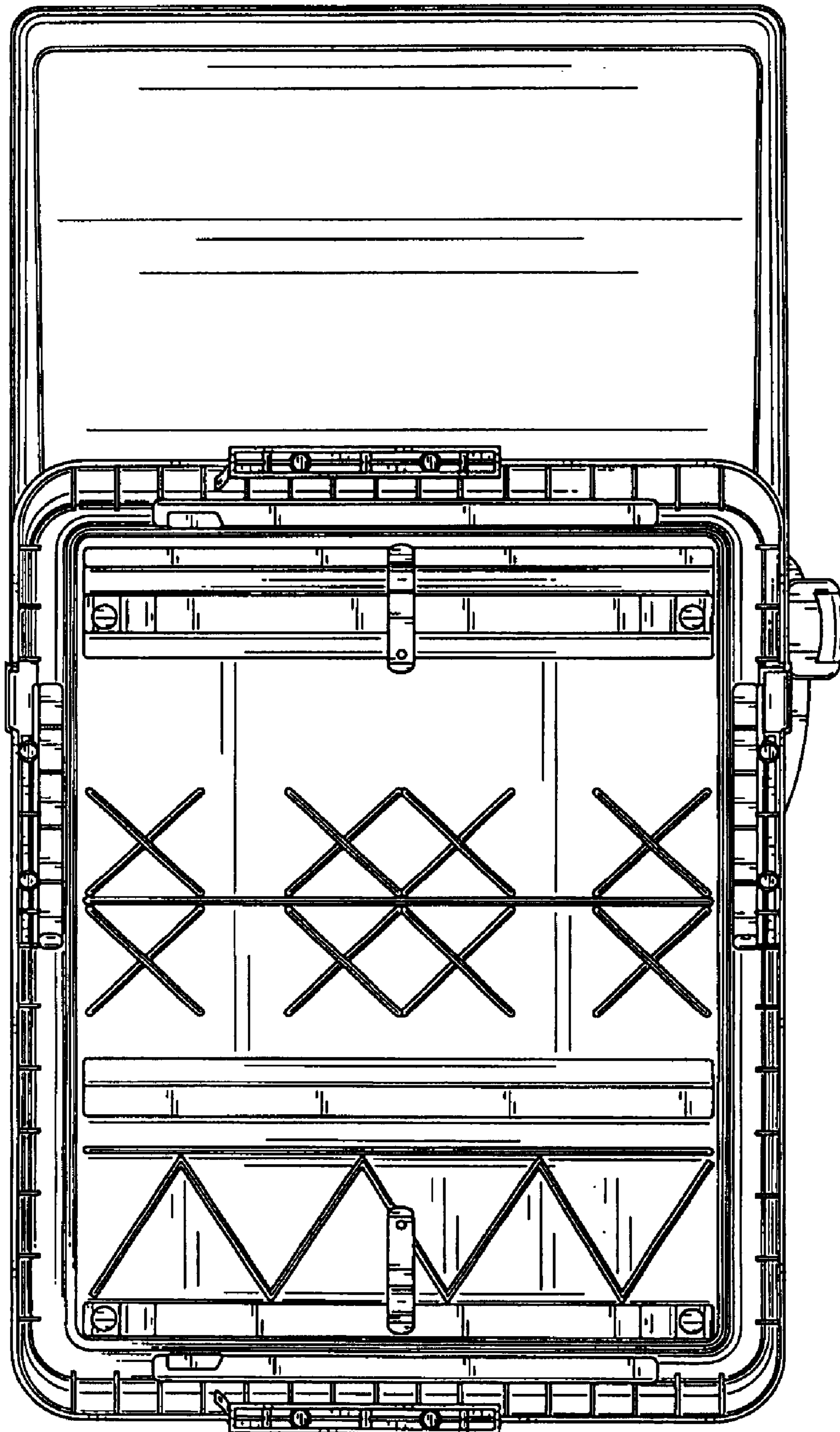


FIG. 12

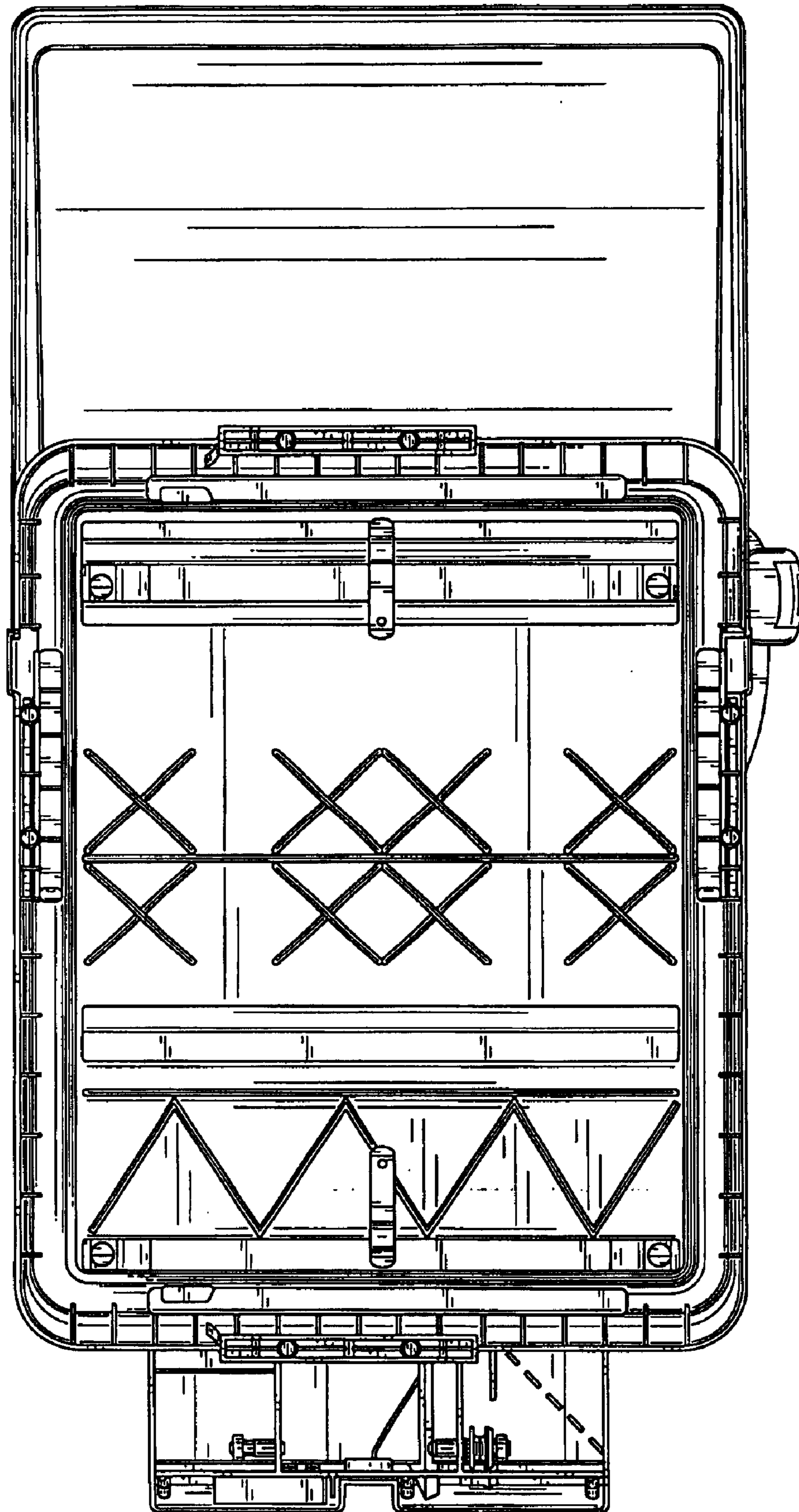


FIG. 13