



US00D523037S

(12) **United States Design Patent**
Kaser et al.

(10) **Patent No.:** **US D523,037 S**
(45) **Date of Patent:** **** Jun. 13, 2006**

(54) **EDGE BANDING MACHINE**
(75) Inventors: **Hans Kaser**, Aichkirchen (AT);
Gerhard Prittrich, Wallern a.d.
Trattnach (AT)
(73) Assignee: **Paul OTT GmbH**, Lambach (AT)
(**) Term: **14 Years**

(21) Appl. No.: **29/203,868**
(22) Filed: **Apr. 21, 2004**

(30) **Foreign Application Priority Data**
Oct. 30, 2003 (EM) 000094743
(51) **LOC (8) Cl.** **15-09**
(52) **U.S. Cl.** **D15/133**
(58) **Field of Classification Search** D15/133;
156/304.5, 304.6, 315, 322, 497, 380.3, 499,
156/510, 522, 583.1
See application file for complete search history.

(56) **References Cited**
U.S. PATENT DOCUMENTS

D331,066 S * 11/1992 Englert D15/122

2003/0217815 A1 * 11/2003 Lien et al. 156/583.1
* cited by examiner

Primary Examiner—Antoine D. Davis
(74) *Attorney, Agent, or Firm*—Rothwell, Figg, Ernst &
Manbeck, PC

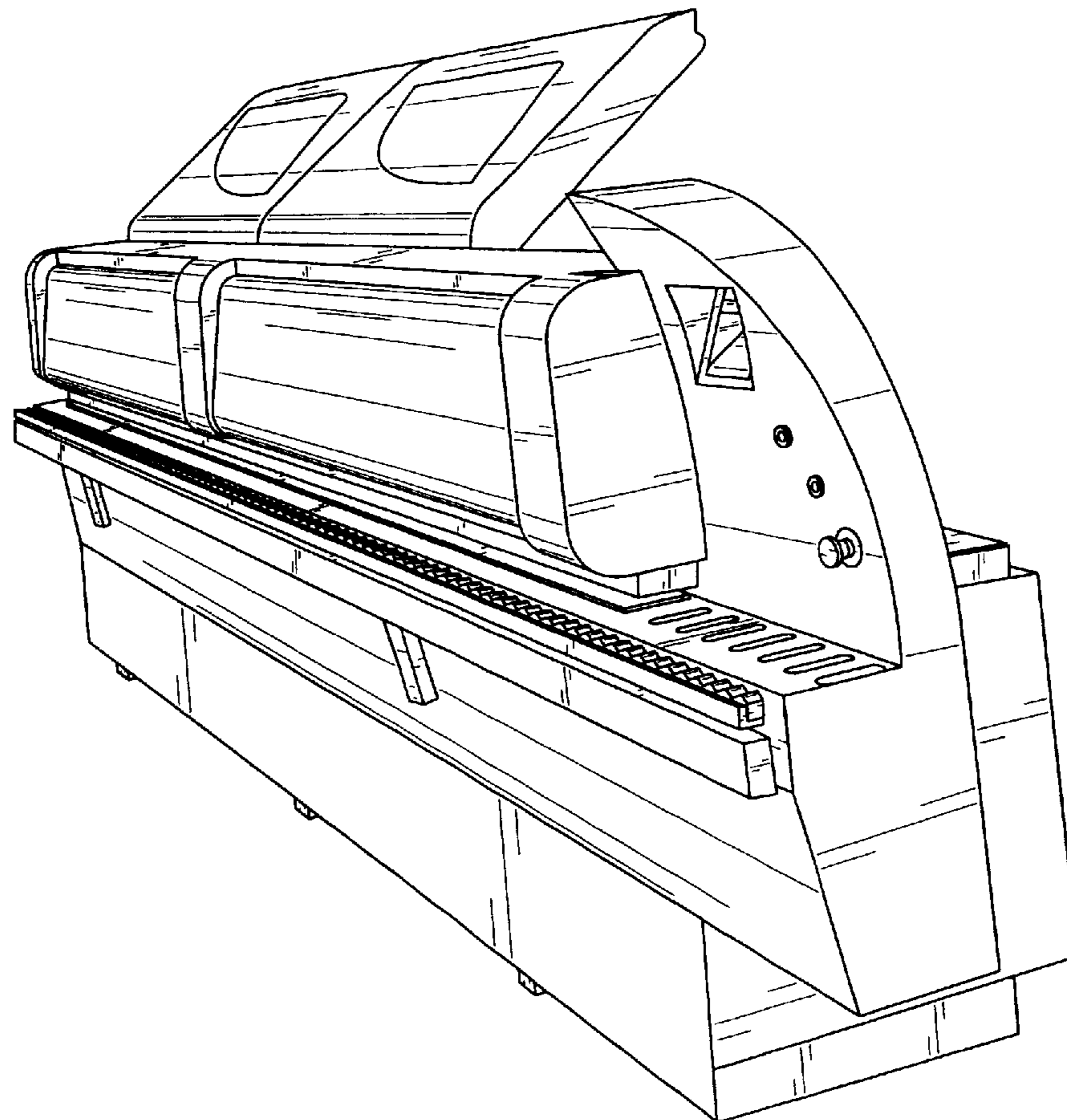
(57) **CLAIM**

The ornamental design for an edge banding machine, as shown and described.

DESCRIPTION

The edge banding machine glues edges on cut end faces of plate-like furniture parts.
FIG. 1 is a front corner perspective view of the invention with a cover portion partially open.
FIG. 2 is a left side perspective view of the invention.
FIG. 3 is a right side perspective view of the invention.
FIG. 4 is a right side elevational view of the invention.
FIG. 5 is a left side elevational view of the invention.
FIG. 6 is a top elevational view of the invention;
FIG. 7 is a front elevational view of the invention; and,
FIG. 8 is a rear elevational view of the invention.

1 Claim, 7 Drawing Sheets



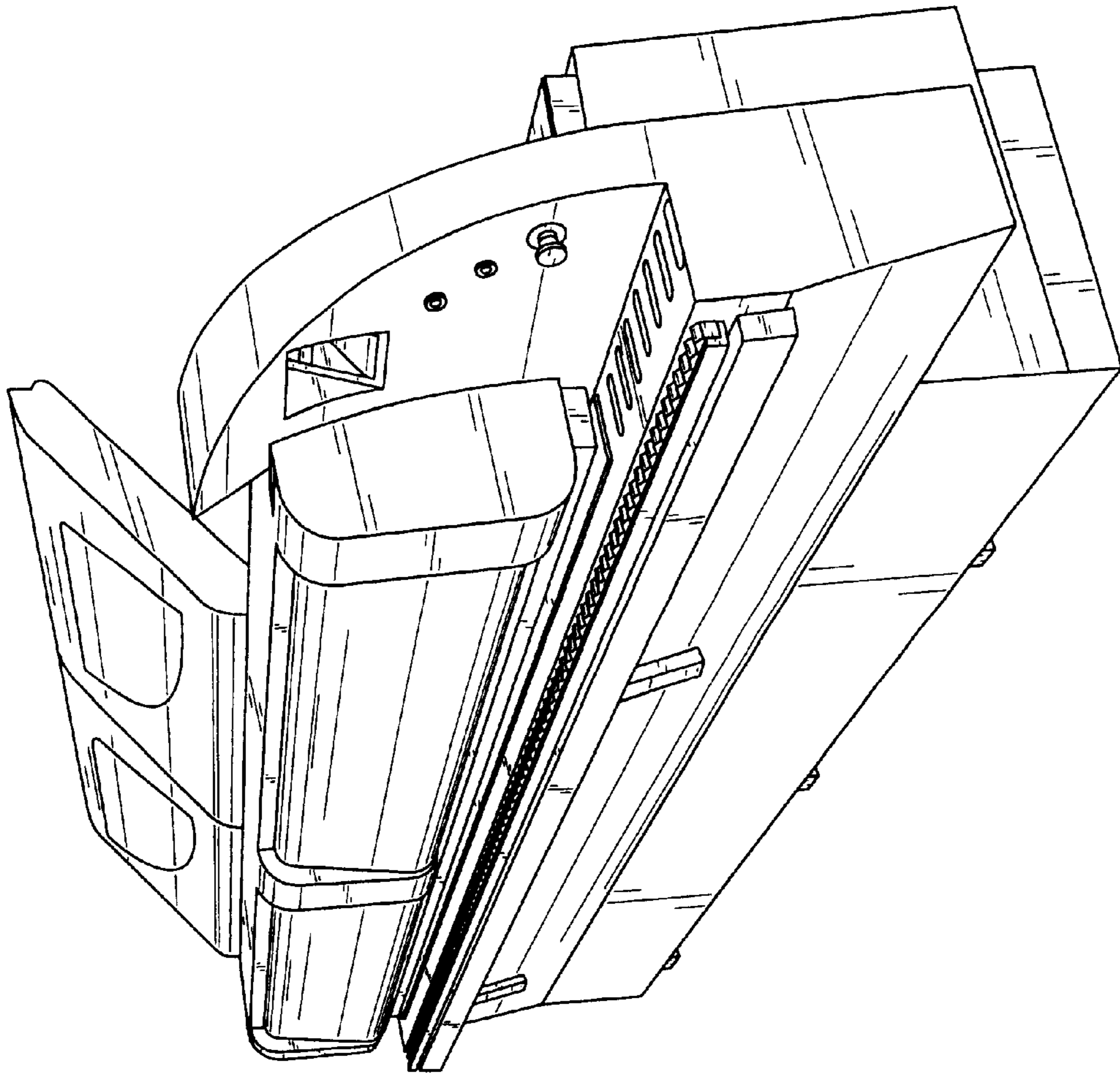


FIG. 1

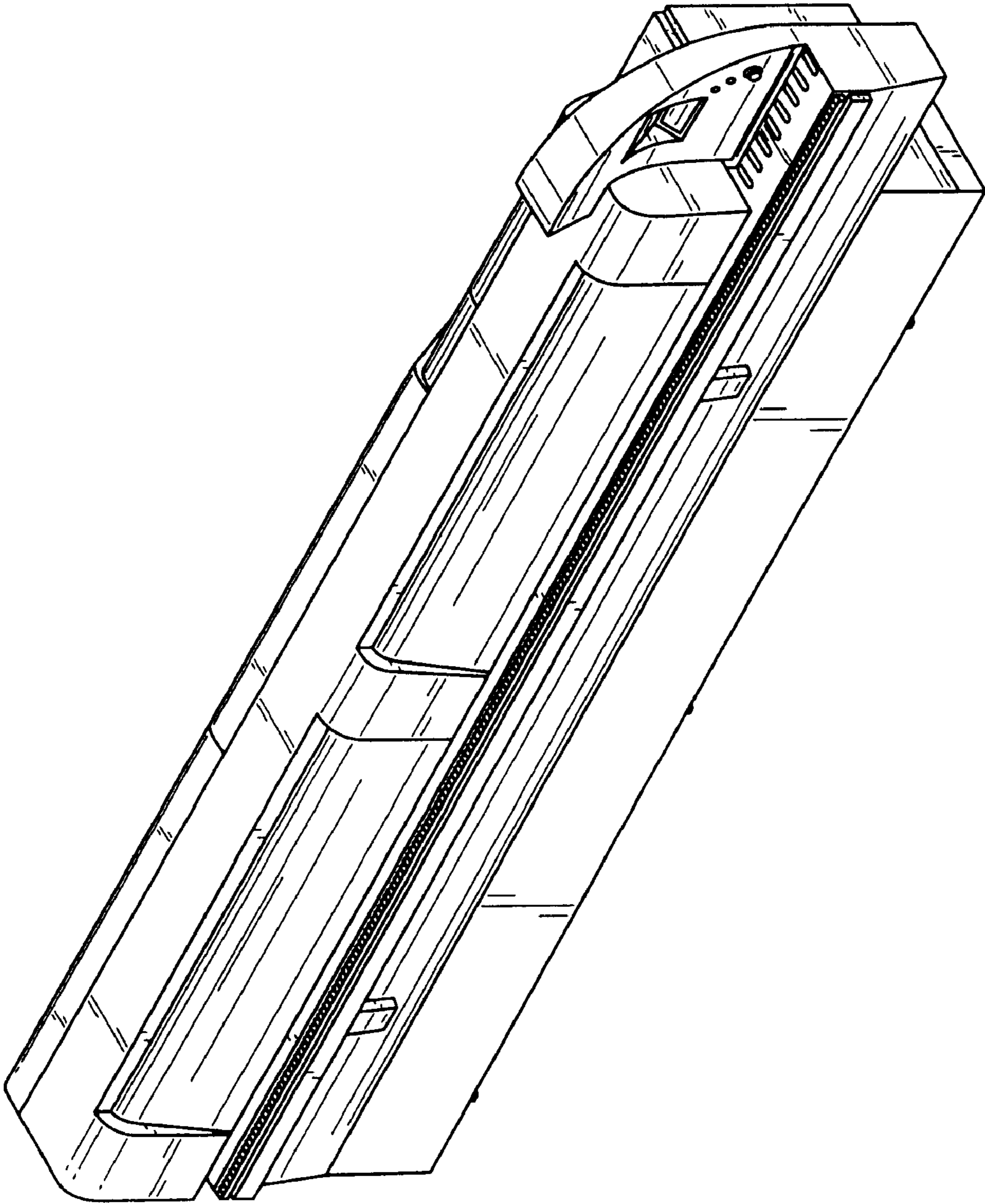


FIG. 2

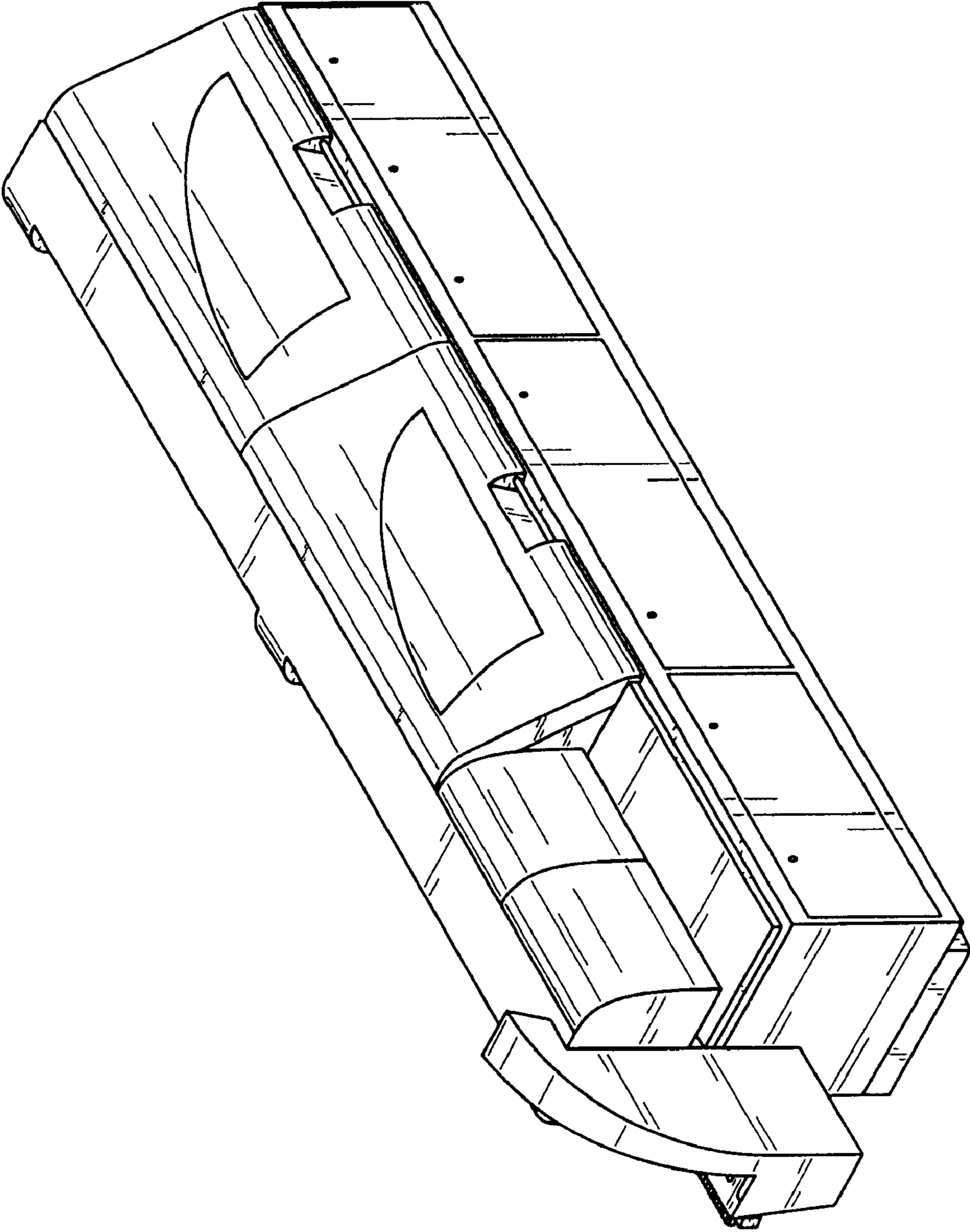


FIG. 3

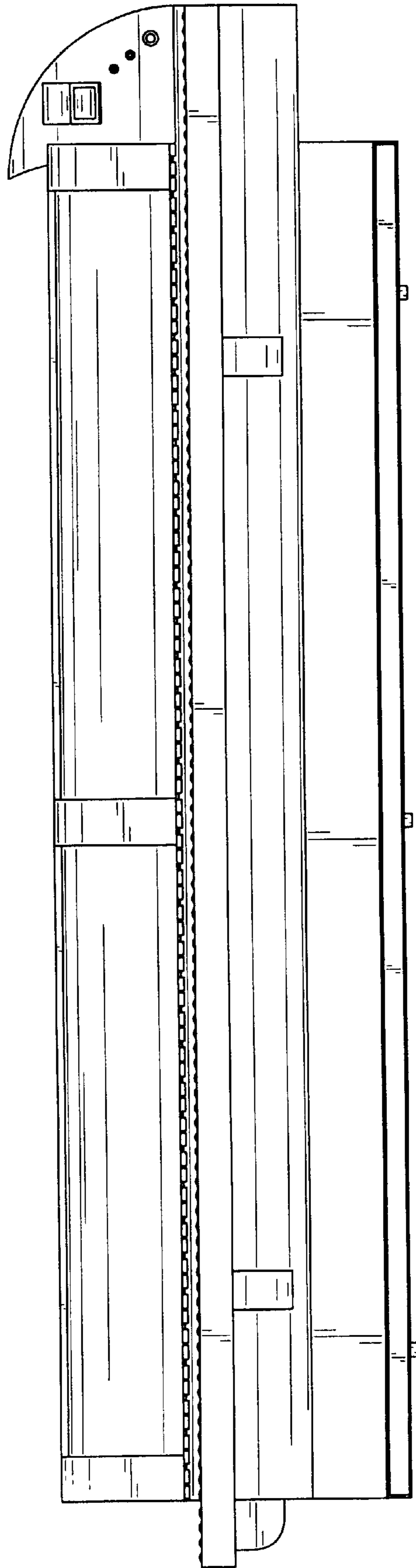


FIG. 4



FIG. 5

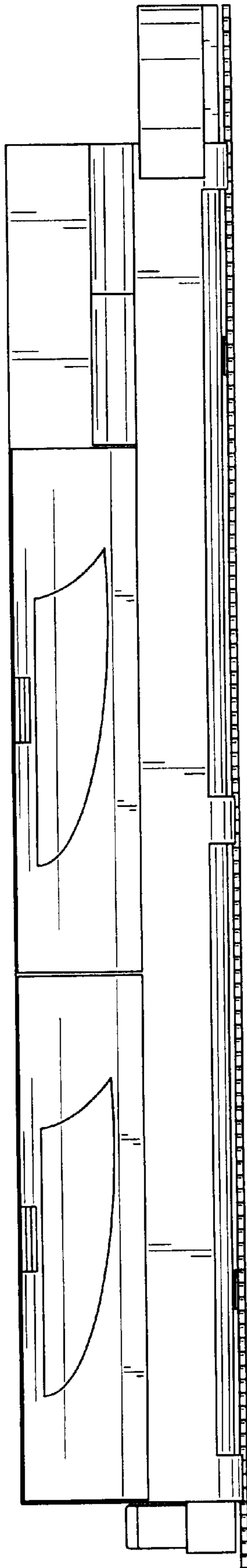


FIG. 6

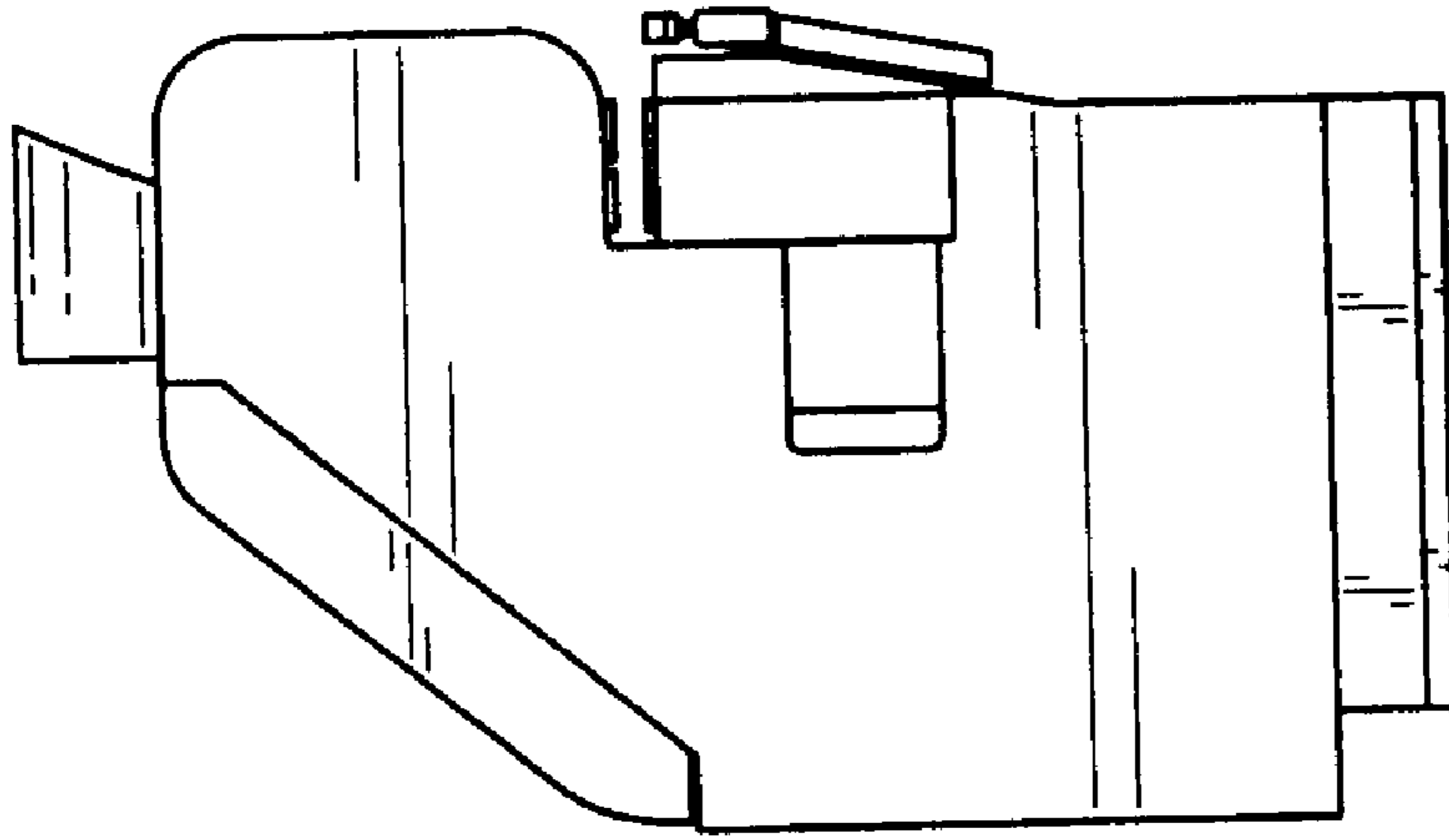


FIG. 8

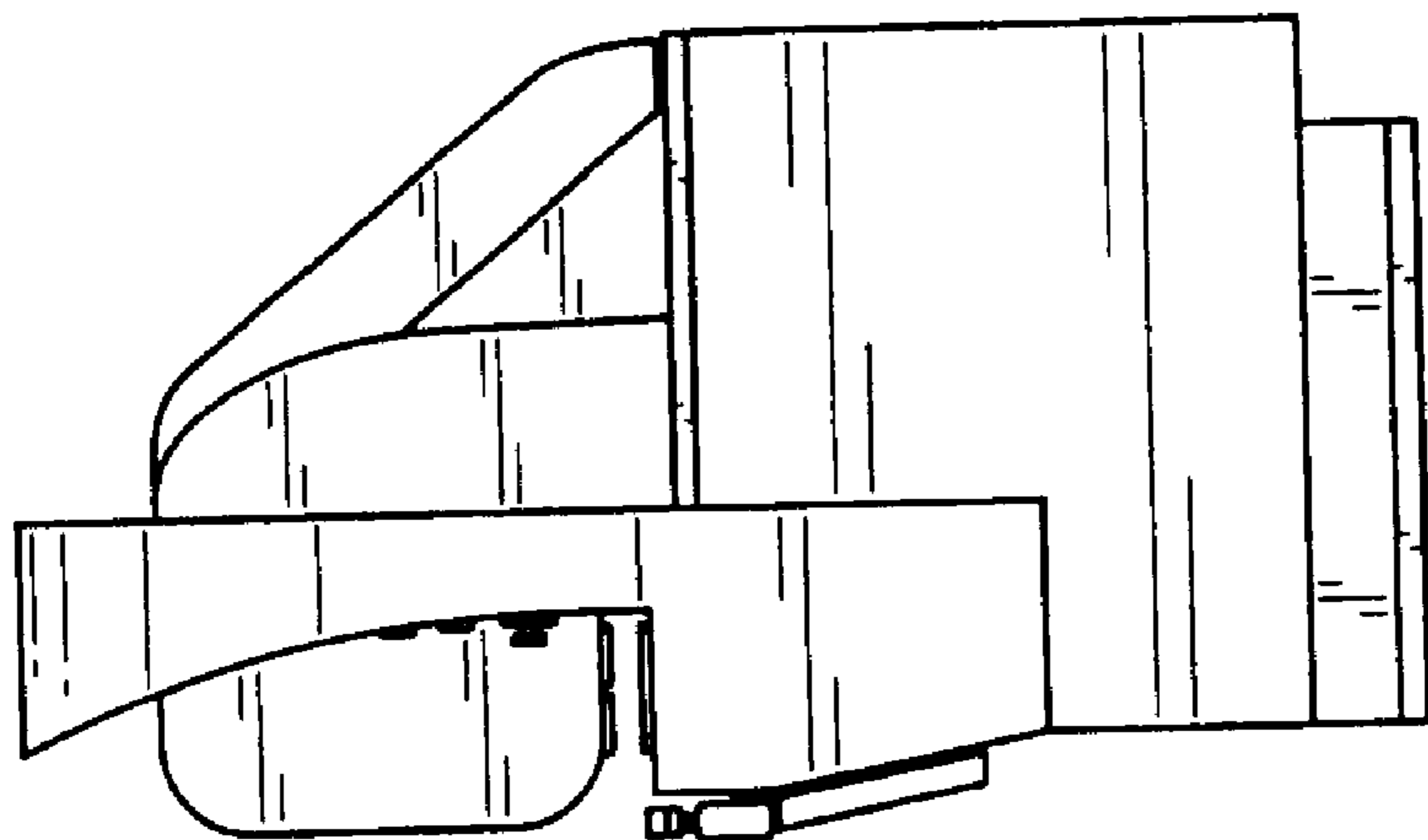


FIG. 7