



US00D523036S

(12) **United States Design Patent**
Schmidt et al.

(10) **Patent No.:** **US D523,036 S**
(45) **Date of Patent:** **** Jun. 13, 2006**

(54) **REFRIGERATOR-FREEZER**

(75) Inventors: **Duane A. Schmidt**, Newburgh, IN (US); **Allan R. Steinkuhl**, Evansville, IN (US); **Joseph L. Coleman**, Evansville, IN (US)

(73) Assignee: **Whirlpool Corporation**, Benton Harbor, MI (US)

(**) Term: **14 Years**

(21) Appl. No.: **29/237,962**

(22) Filed: **Sep. 8, 2005**

Related U.S. Application Data

(62) Division of application No. 29/223,288, filed on Feb. 11, 2005.

(51) **LOC (8) Cl.** **15-07**

(52) **U.S. Cl.** **D15/91**

(58) **Field of Classification Search** D25/158, D25/102, 109; 404/65; 280/163; D15/79-91
See application file for complete search history.

(56) **References Cited**

U.S. PATENT DOCUMENTS

D95,158 S	*	4/1935	Burerus	D25/158
2,127,853 A	*	8/1938	Austin	404/65
3,357,719 A	*	12/1967	McCrea	280/163
4,787,556 A	*	11/1988	Heisson	238/14
D333,645 S	*	3/1993	Tyler	D12/221
D336,524 S	*	6/1993	White et al.	D25/102
D372,011 S	*	7/1996	Tyler	D12/203

5,807,021 A	*	9/1998	Aaron	404/19
D441,093 S	*	4/2001	Johnson	D25/62
D456,533 S	*	4/2002	Moller, Jr.	D25/163
D474,285 S	*	5/2003	Bresciani	D25/109
D474,563 S	*	5/2003	Bresciani	D29/109

* cited by examiner

Primary Examiner—Mitchell Siegel

(74) *Attorney, Agent, or Firm*—Stephen Krefman; Robert O. Rice; John F. Colligan

(57) **CLAIM**

The ornamental design for a refrigerator-freezer, as shown and described.

DESCRIPTION

FIG. 1 is a right front perspective view of the design of the refrigerator freezer;

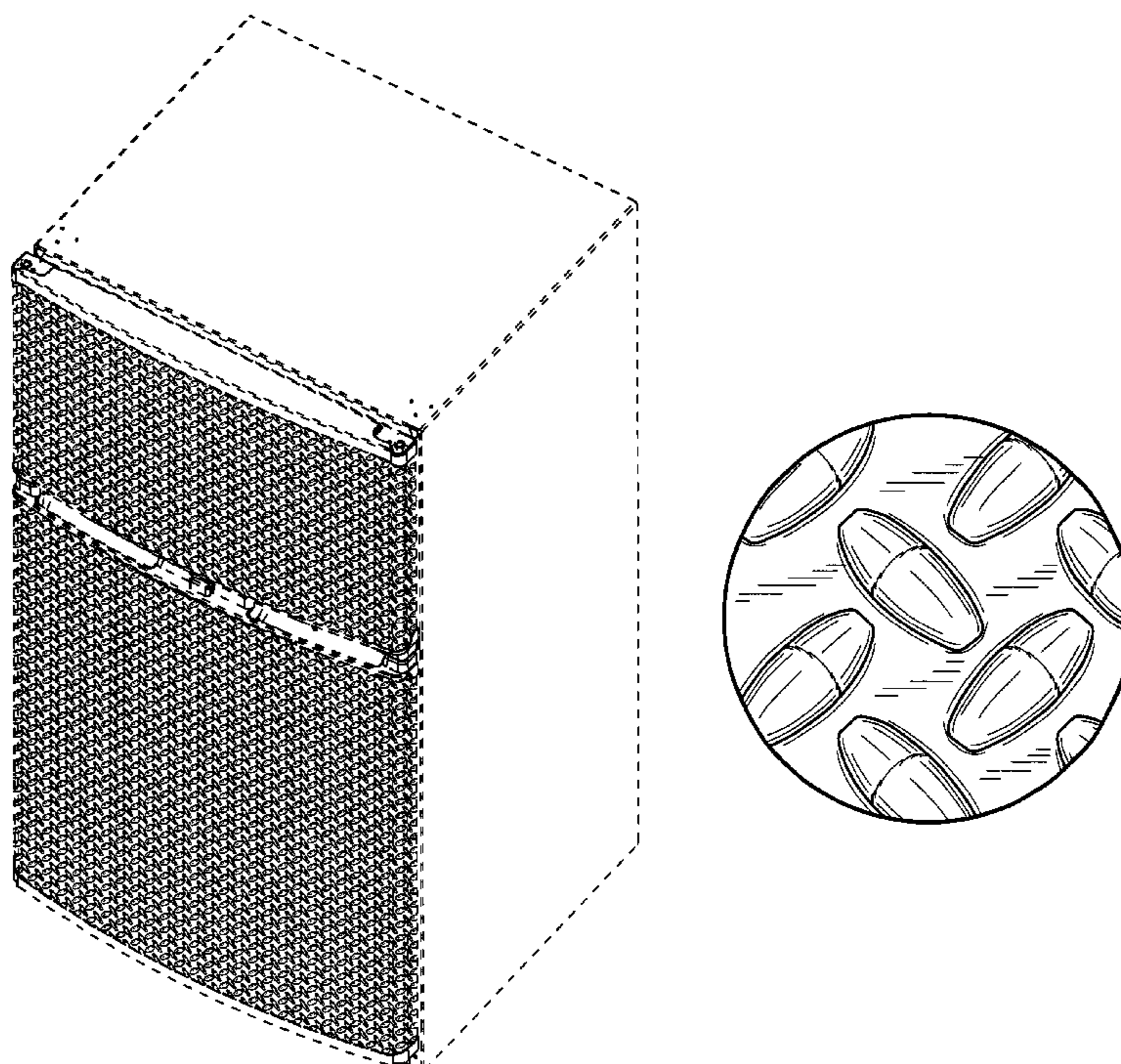
FIG. 2 is a front elevational view thereof. The ornamental design is not visible in a rear view, top plan view or bottom view;

FIG. 3 is a right side elevational view thereof, the left side elevational view being a mirror image; and,

FIG. 4 is an enlarged view of the pattern on the refrigerator-freezer doors of the embodiment of FIG. 1.

The characteristic feature of the ornamental design resides in the use of a pattern on the refrigerator-freezer doors. Those portions of refrigerator-freezer in broken lines, specifically the surfaces of the refrigerator-freezer at the top and bottom edges of the doors and surfaces extending back from the doors including other surfaces of the refrigerator-freezer are not part of the claimed invention.

1 Claim, 3 Drawing Sheets



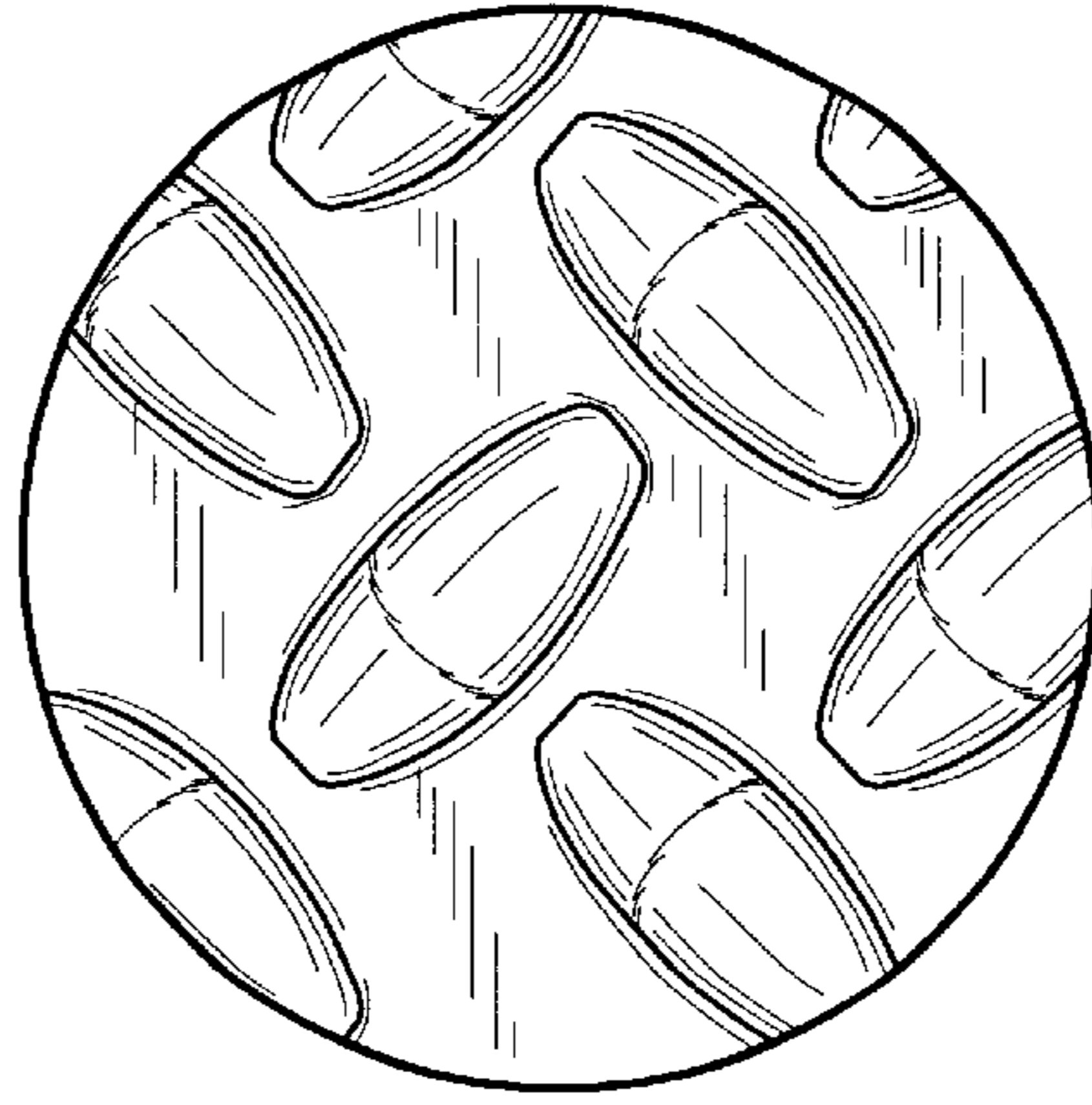


Fig. 4

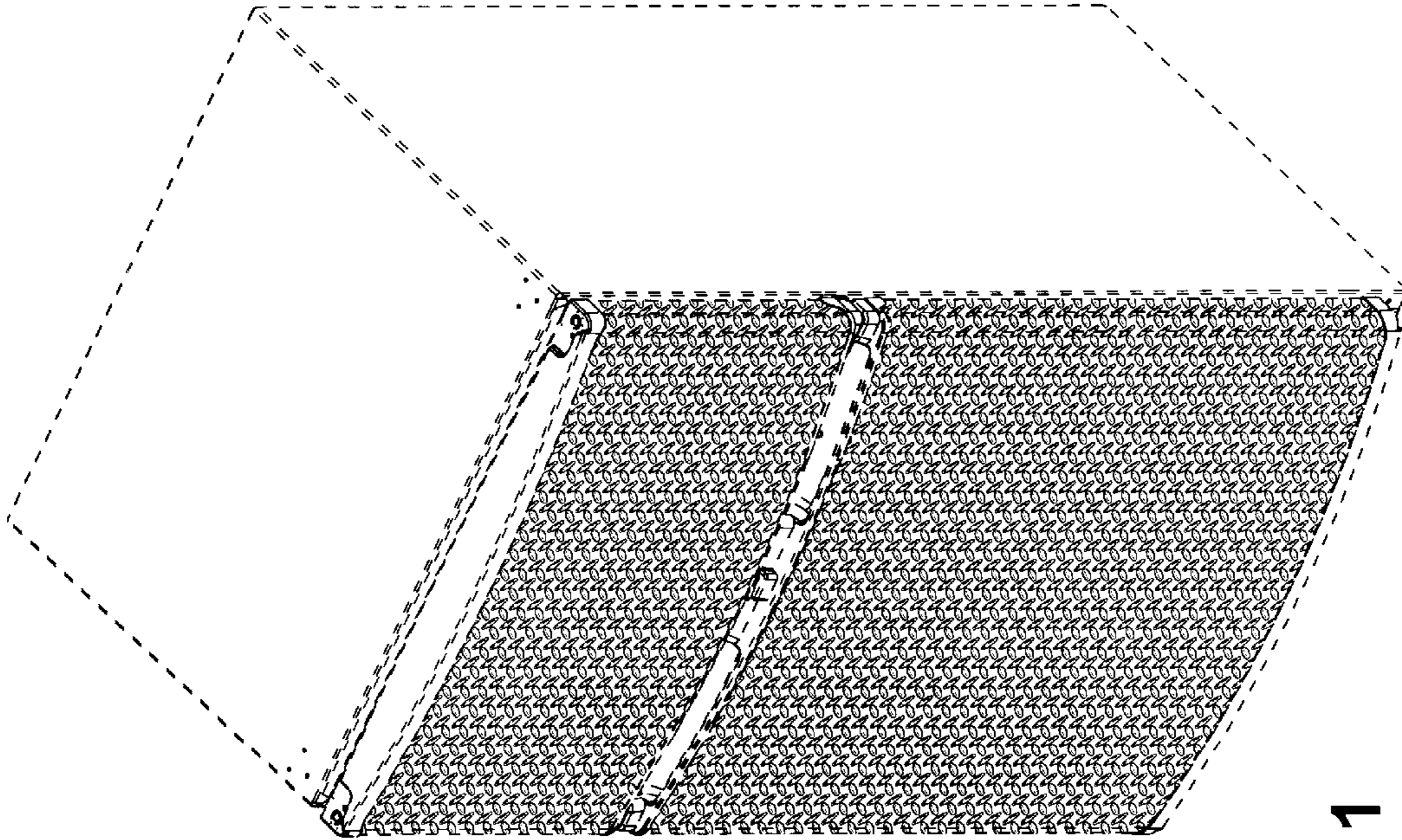


Fig. 1

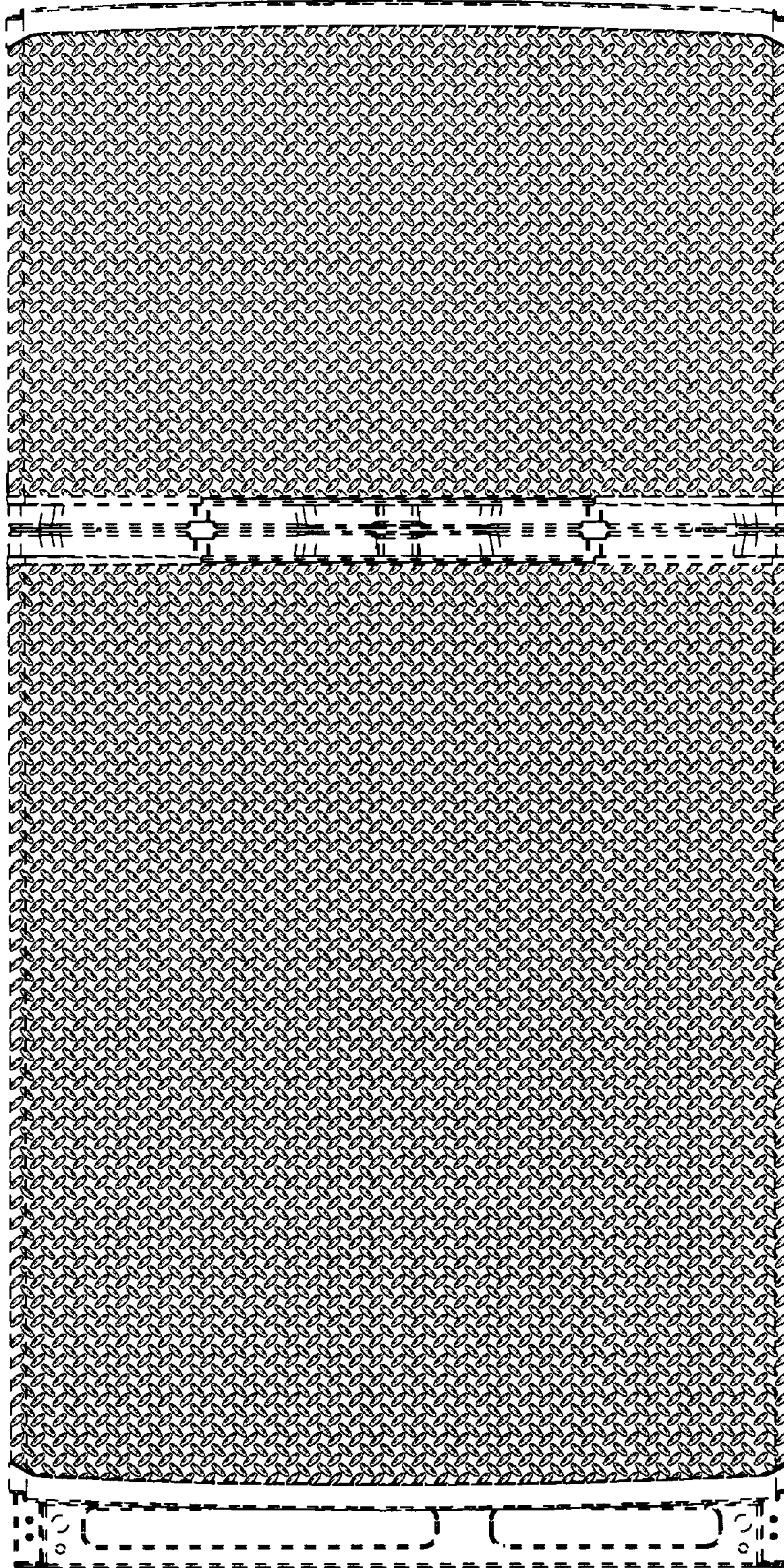


Fig. 2

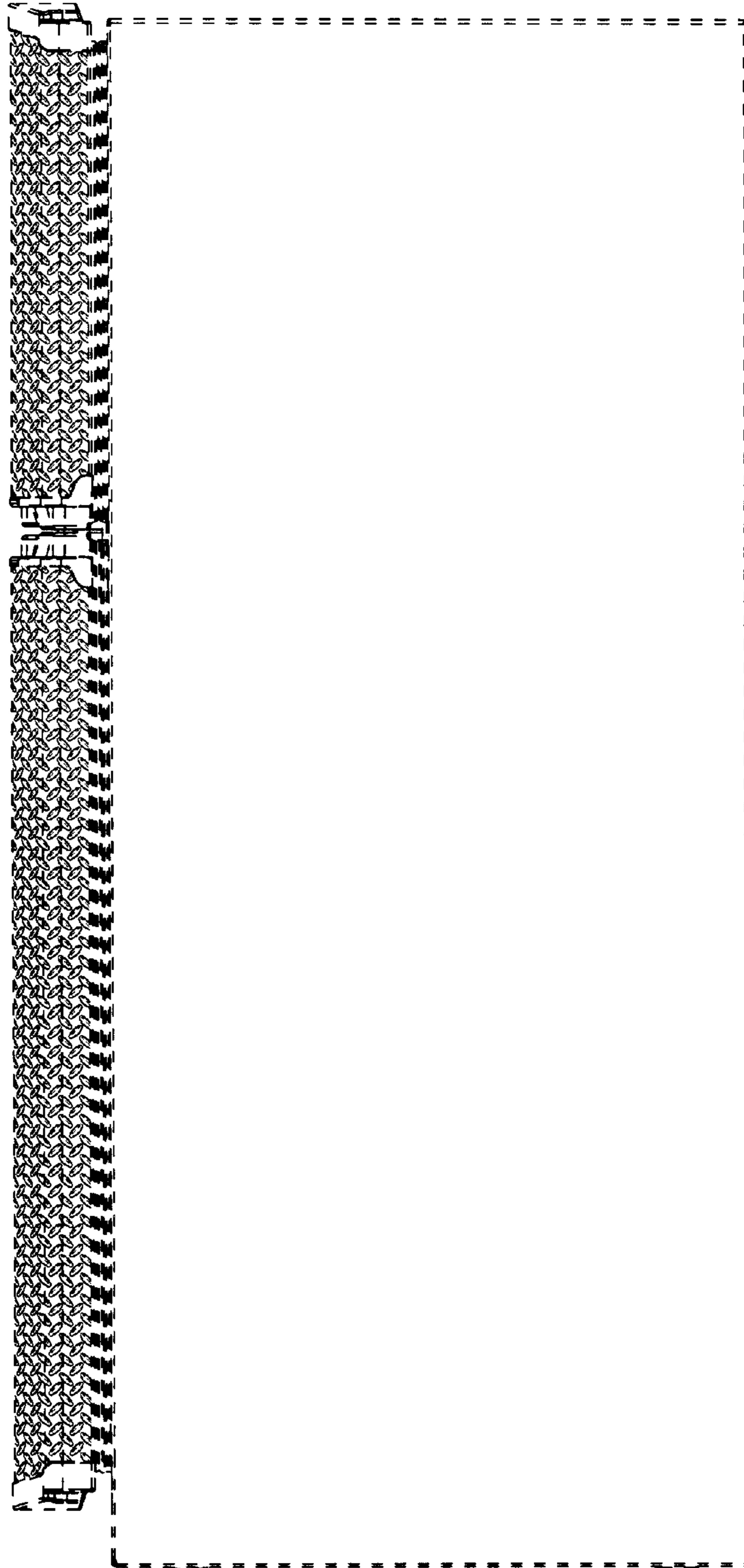


Fig. 3

UNITED STATES PATENT AND TRADEMARK OFFICE
CERTIFICATE OF CORRECTION

PATENT NO. : Des. 523,036 S
APPLICATION NO. : 29/237962
DATED : June 13, 2006
INVENTOR(S) : Duane A. Schmidt et al.

Page 1 of 1

It is certified that error appears in the above-identified patent and that said Letters Patent is hereby corrected as shown below:

Title page, column 1, item 62, under "Related U.S. Application Data", add the following to the end of the sentence: --; which is a division of design application 29/203,802 filed on Apr. 20, 2004, now Pat. No. Des. 505,962; which is a division of design application 29/173,435 filed on Dec. 30, 2002, now Pat. No. Des. 491,585--.

Signed and Sealed this

Eleventh Day of November, 2008

A handwritten signature in black ink that reads "Jon W. Dudas". The signature is written in a cursive style with a large, looped initial "J".

JON W. DUDAS

Director of the United States Patent and Trademark Office