



US00D523031S

(12) **United States Design Patent**
Muto

(10) **Patent No.:** **US D523,031 S**

(45) **Date of Patent:** **** Jun. 13, 2006**

(54) **SEWING MACHINE**

(75) Inventor: **Hideki Muto**, Tokyo (JP)

(73) Assignee: **Janome Sewing Machine Co., Ltd.**,
Tokyo (JP)

(**) Term: **14 Years**

(21) Appl. No.: **29/233,740**

(22) Filed: **Jul. 11, 2005**

(30) **Foreign Application Priority Data**

Jan. 13, 2005 (JP) 2005-000630

(51) **LOC (8) Cl.** **15-06**

(52) **U.S. Cl.** **D15/69**

(58) **Field of Classification Search** D15/66-78;
D21/527; 112/2, 154, 163, 271, 217.1-217.4,
112/258-262, 400, 470.1, 470.4, 444; 312/208.5,
312/208.6

See application file for complete search history.

(56) **References Cited**

U.S. PATENT DOCUMENTS

- 3,913,506 A * 10/1975 Adams et al. 112/470.04
- D243,686 S * 3/1977 Ito D15/68
- D247,901 S * 5/1978 Fresard D15/70
- 4,099,474 A * 7/1978 Hamlett et al. 112/258
- D250,649 S * 12/1978 Hirano D15/70

- D300,543 S * 4/1989 Yoneda D15/70
- D359,965 S * 7/1995 Nakajima et al. D15/69
- D434,426 S * 11/2000 Kuroki D15/69
- D435,052 S * 12/2000 Kuroki D15/70
- D450,719 S * 11/2001 Kuroki et al. D15/69
- D465,794 S * 11/2002 Tsai D15/69
- D468,324 S * 1/2003 Tsai D15/69
- D509,516 S * 9/2005 Kuroki D15/70

* cited by examiner

Primary Examiner—Mitchell Siegel

Assistant Examiner—Shanda C. Hill

(74) *Attorney, Agent, or Firm*—McGinn IP Law Group,
PLLC

(57) **CLAIM**

The ornamental design for a sewing machine, as shown and described.

DESCRIPTION

FIG. 1 is a front view of a sewing machine showing my design;

FIG. 2 is a rear elevational view thereof;

FIG. 3 is a left side elevational view thereof;

FIG. 4 is a right side elevational view thereof;

FIG. 5 is a top plan view thereof;

FIG. 6 is a bottom plan view thereof;

FIG. 7 is a front perspective view thereof; and,

FIG. 8 is a rear perspective view thereof.

1 Claim, 8 Drawing Sheets

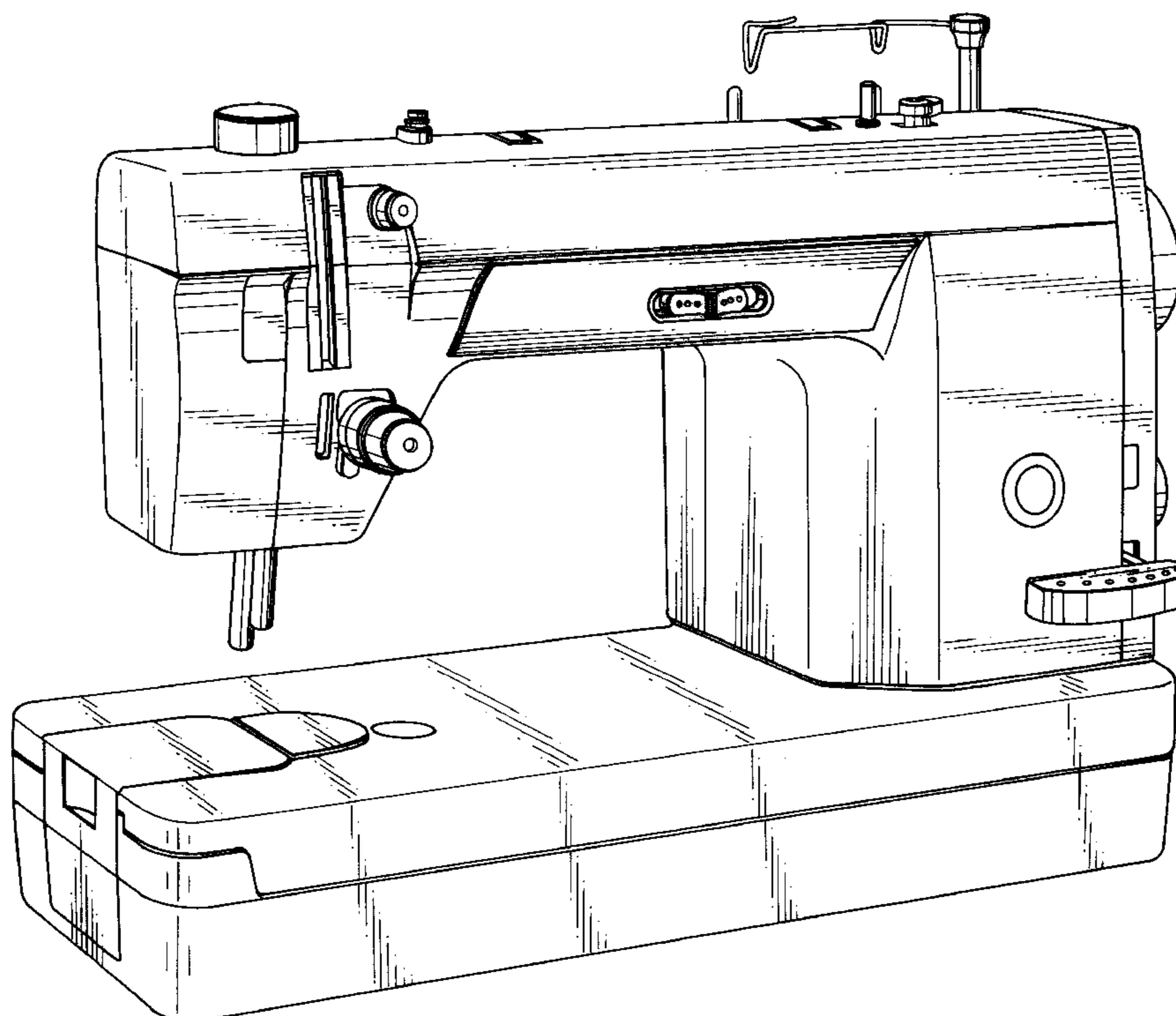


FIG. 1

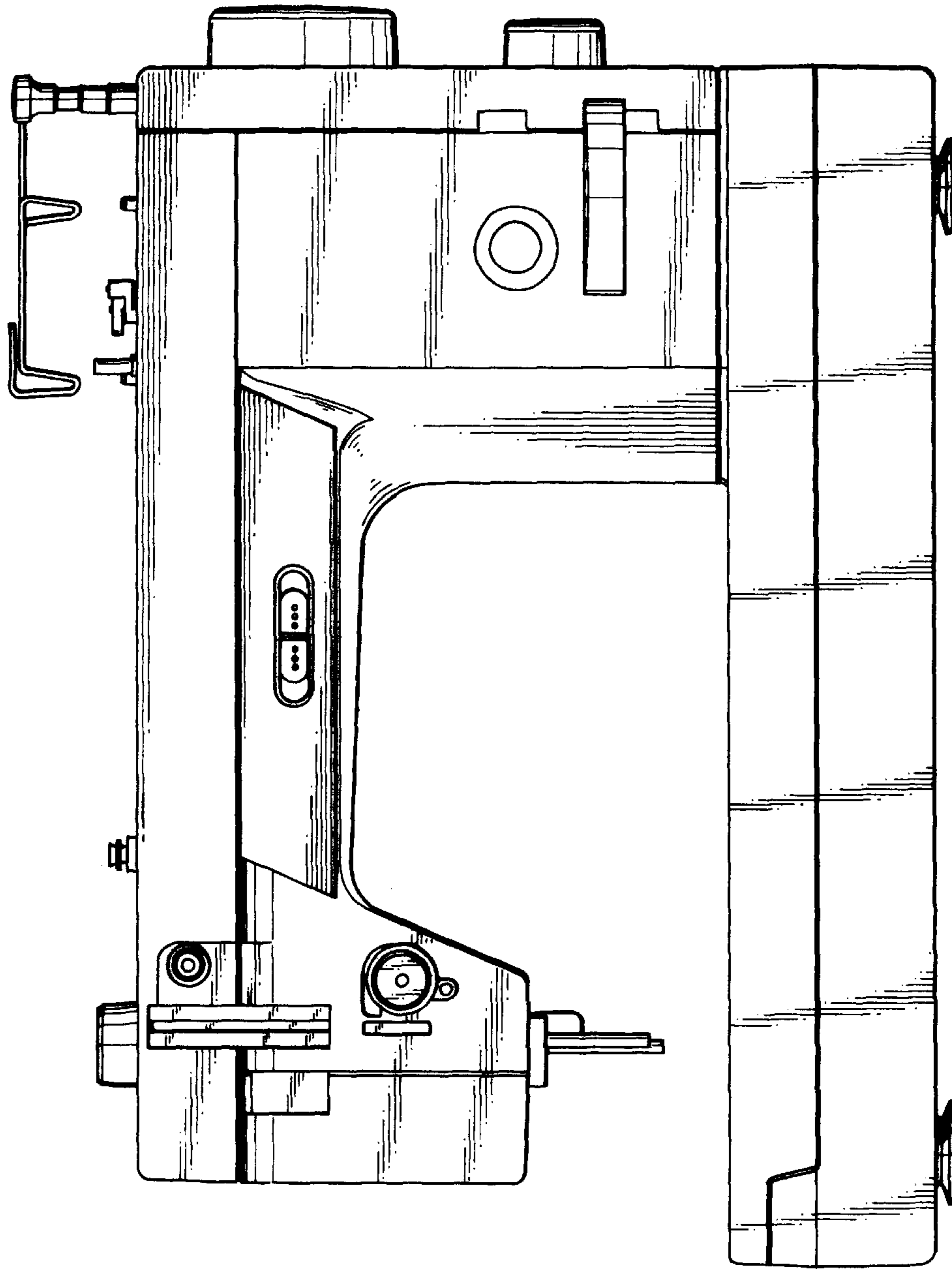


FIG. 2

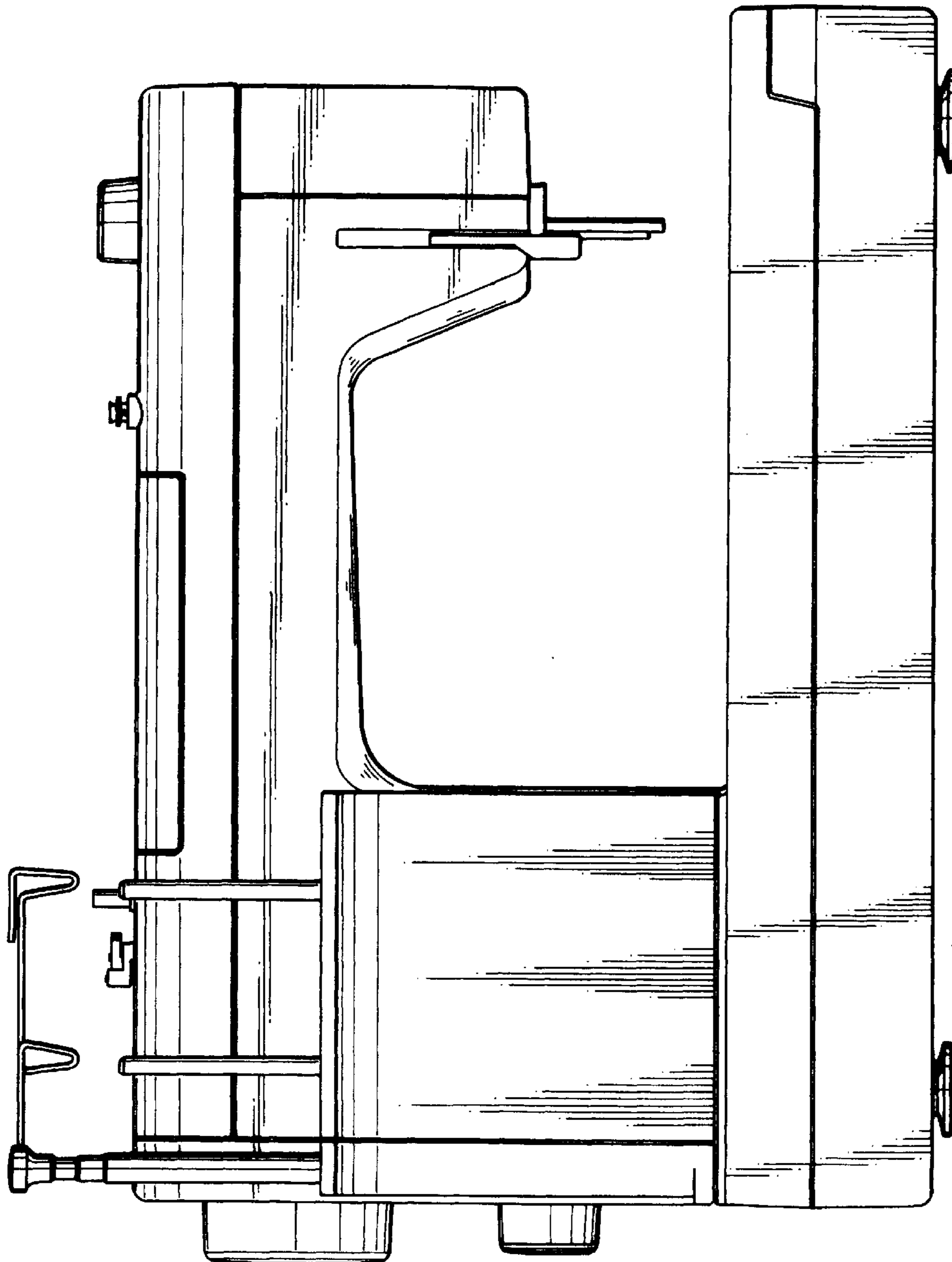


FIG. 3

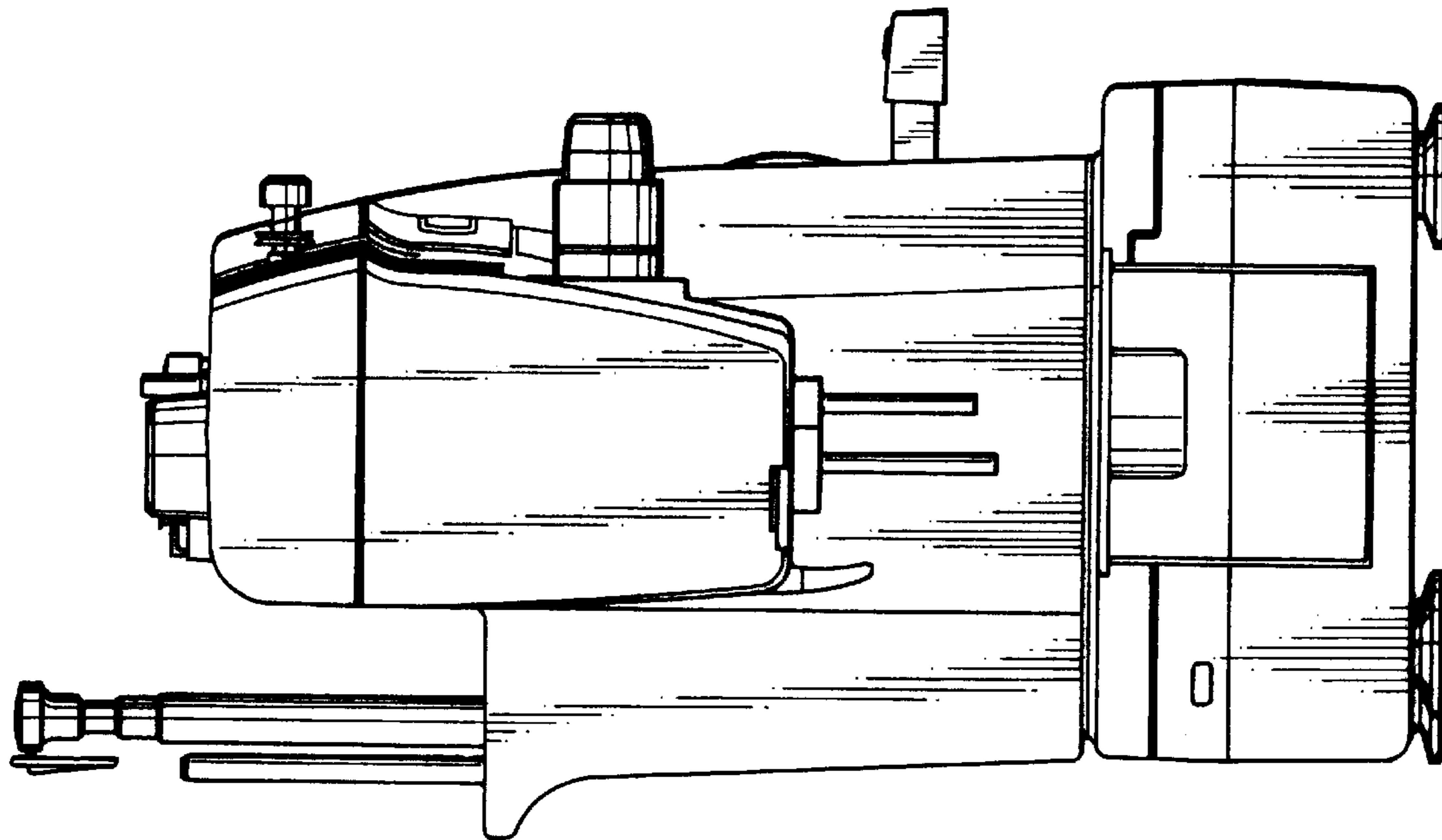


FIG. 4

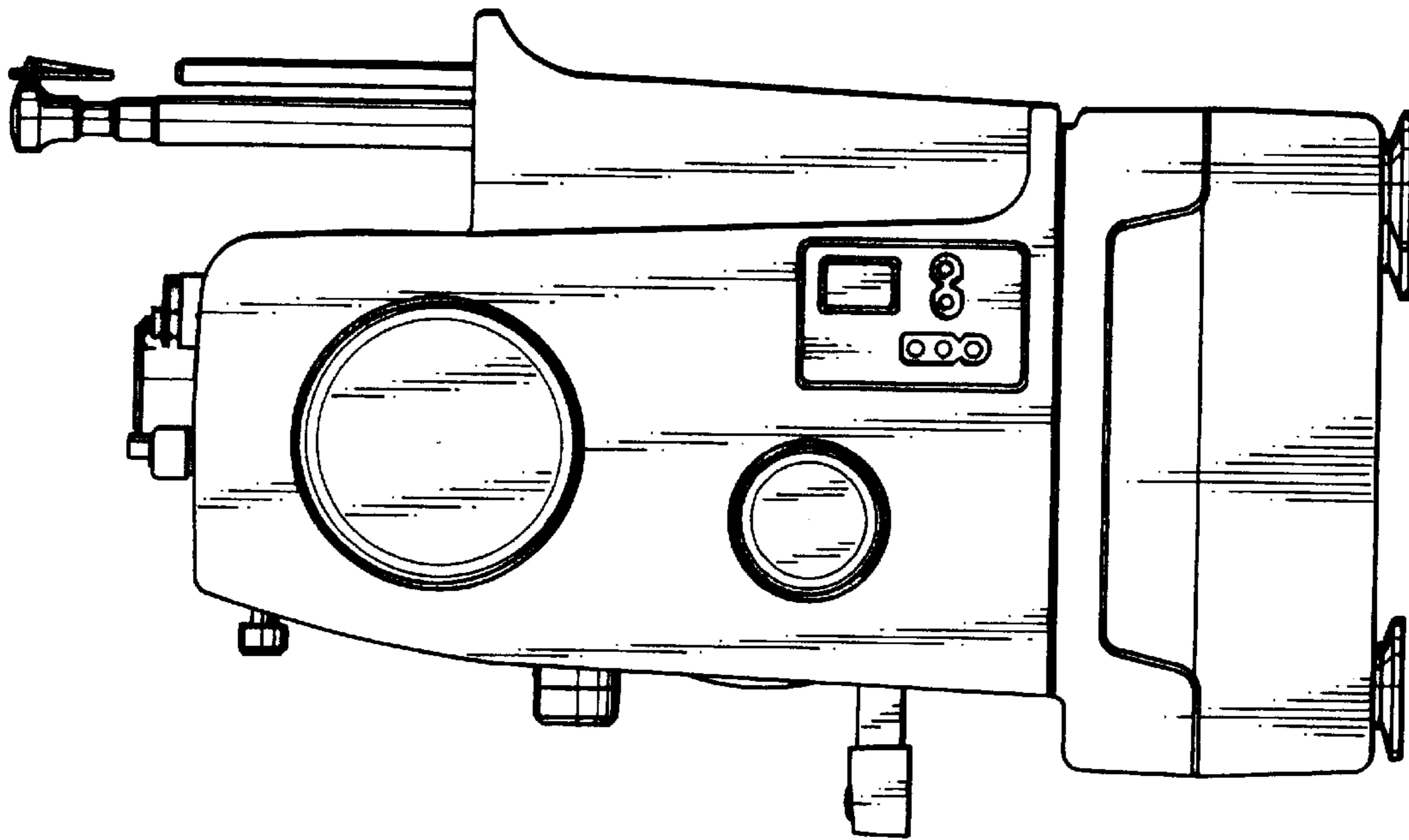


FIG. 5

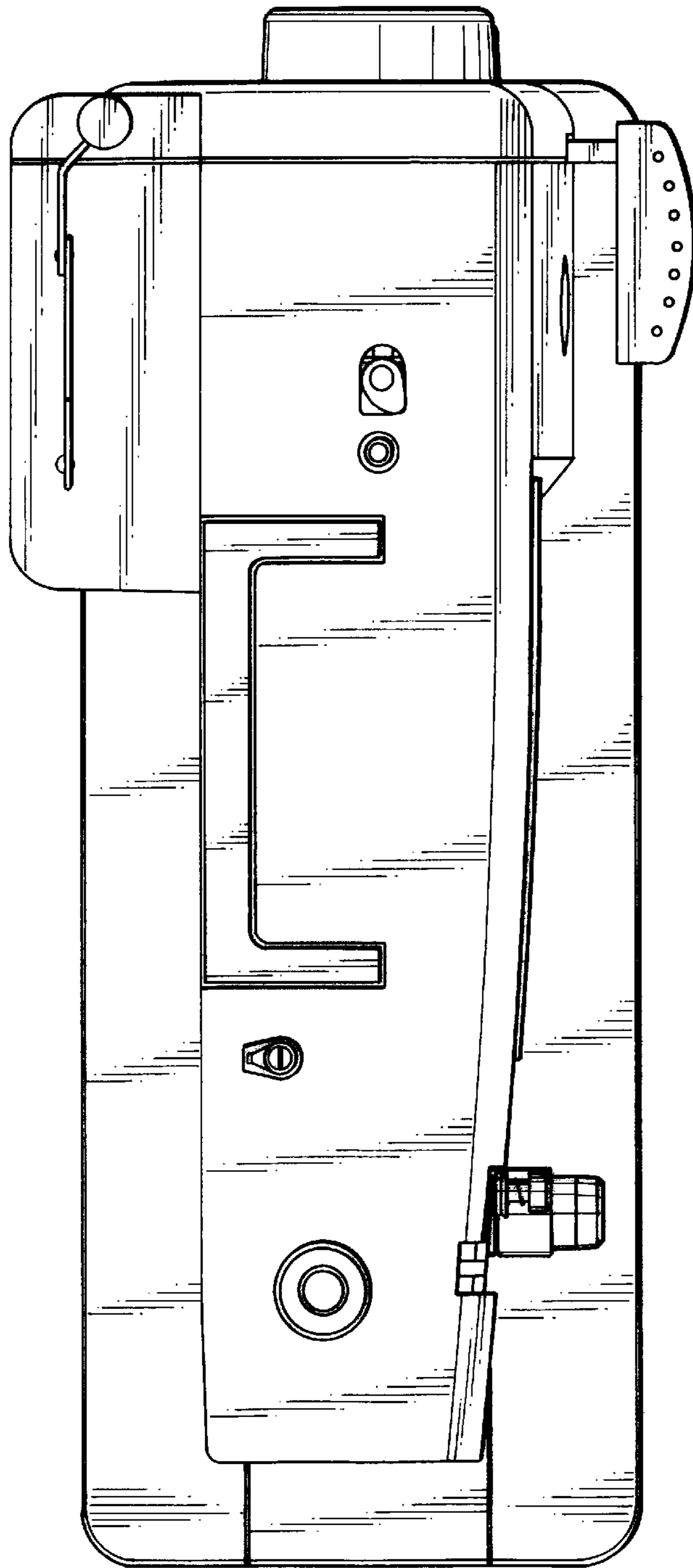


FIG. 6

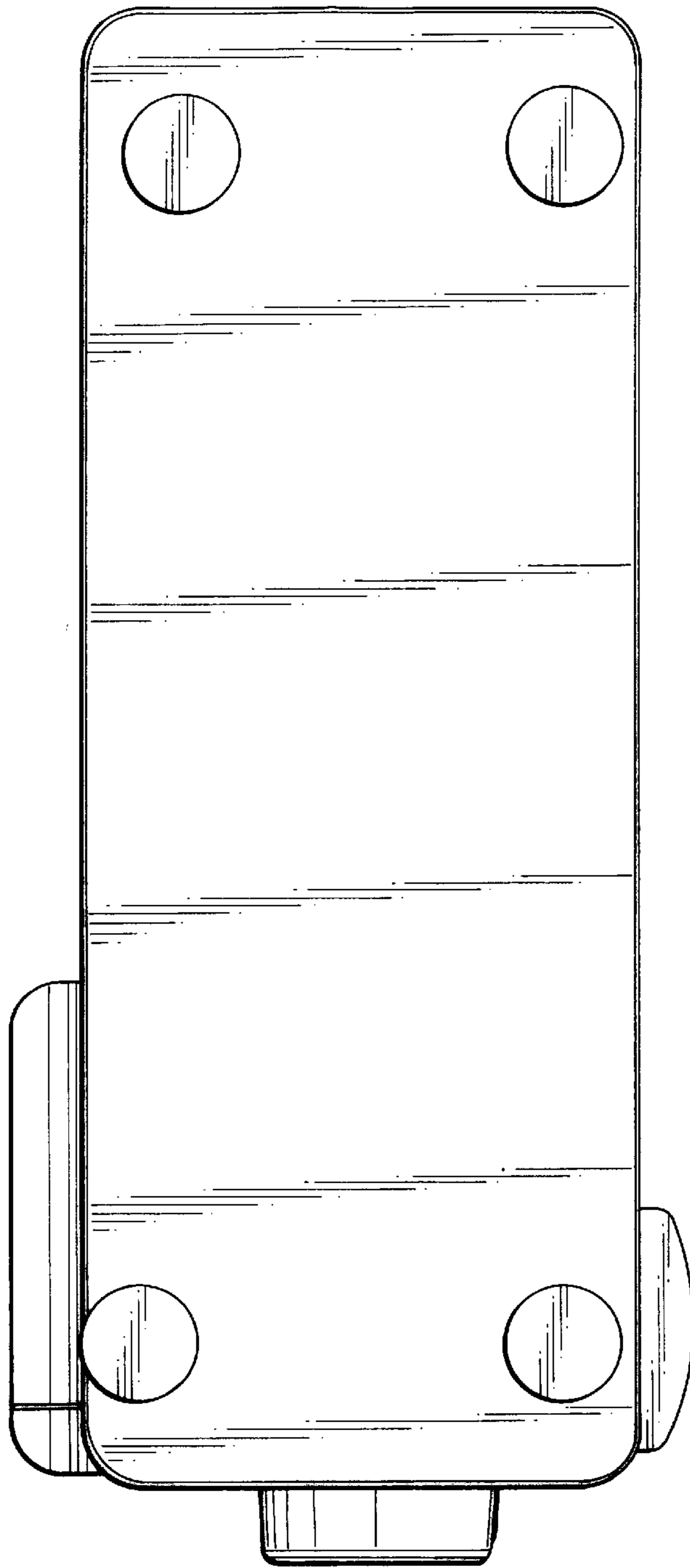


FIG. 7

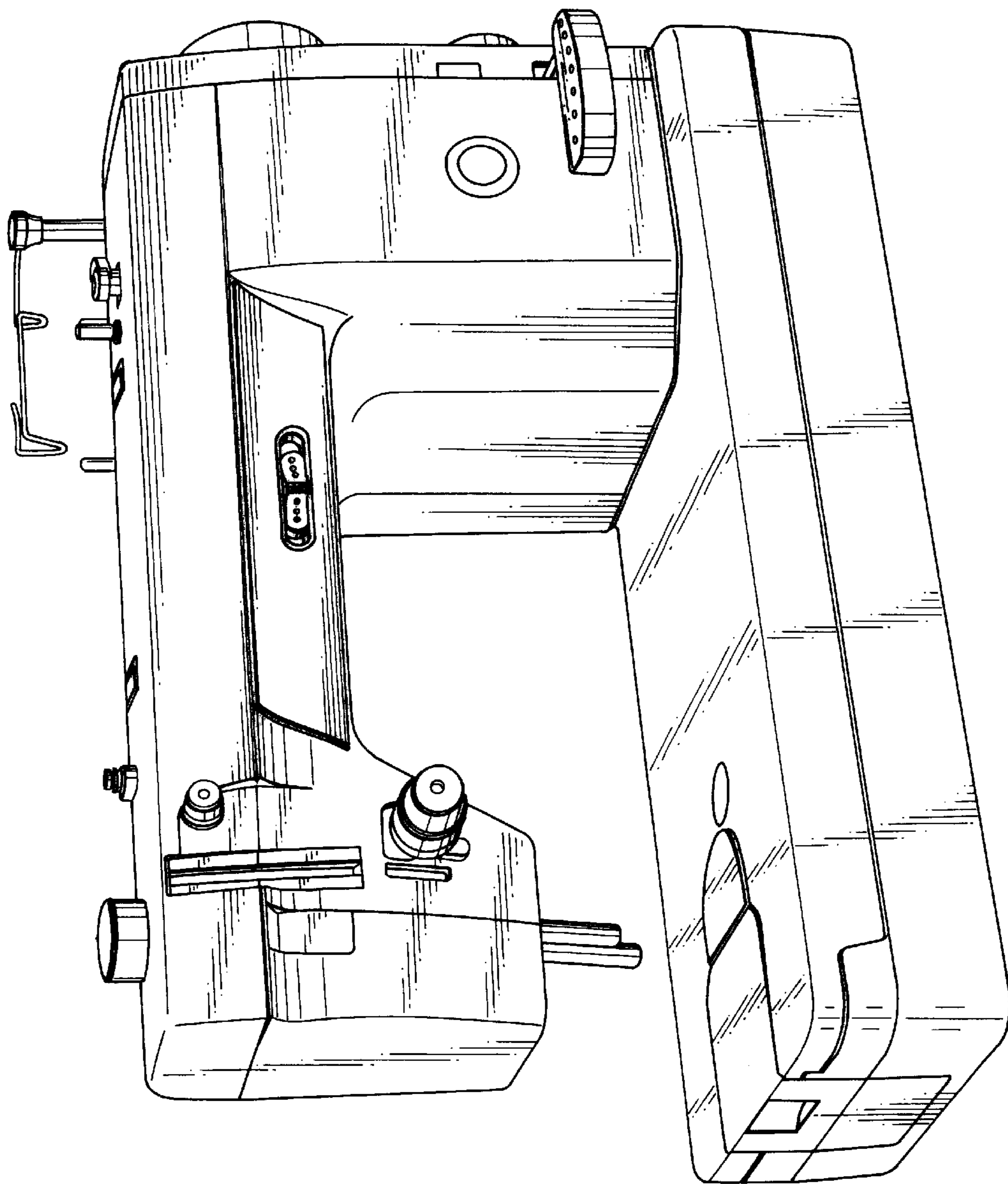


FIG. 8

