



US00D523030S

(12) **United States Design Patent**  
**Muto**

(10) **Patent No.:** **US D523,030 S**

(45) **Date of Patent:** **\*\* Jun. 13, 2006**

(54) **SEWING MACHINE**

(75) Inventor: **Hideki Muto**, Tokyo (JP)

(73) Assignee: **Janome Sewing Machine Co., Ltd.**,  
Tokyo (JP)

(\*\*) Term: **14 Years**

(21) Appl. No.: **29/232,296**

(22) Filed: **Jun. 17, 2005**

(30) **Foreign Application Priority Data**

Dec. 28, 2004 (JP) ..... 2004-040153

(51) **LOC (8) Cl.** ..... **15-06**

(52) **U.S. Cl.** ..... **D15/69**

(58) **Field of Classification Search** ..... D15/66-78;  
D21/527; 112/2, 154, 163, 271, 217.1-217.4,  
112/258-262, 400, 470.1, 470.4, 444; 312/208.5,  
312/208.6

See application file for complete search history.

(56) **References Cited**

**U.S. PATENT DOCUMENTS**

3,913,506 A \* 10/1975 Adams et al. .... 112/470.04  
D243,686 S \* 3/1977 Ito ..... D15/68  
D247,901 S \* 5/1978 Fresard ..... D15/70  
4,099,474 A \* 7/1978 Hamlett et al. .... 112/258  
D250,649 S \* 12/1978 Hirano ..... D15/70

D300,543 S \* 4/1989 Yoneda ..... D15/70  
D359,965 S \* 7/1995 Nakajima et al. .... D15/69  
D434,426 S \* 11/2000 Kuroki ..... D15/69  
D435,052 S \* 12/2000 Kuroki ..... D15/70  
D450,719 S \* 11/2001 Kuroki et al. .... D15/69  
D465,794 S \* 11/2002 Tsai ..... D15/69  
D468,324 S \* 1/2003 Tsai ..... D15/69  
D509,516 S \* 9/2005 Kuroki ..... D15/70

\* cited by examiner

*Primary Examiner*—Mitchell Siegel

*Assistant Examiner*—Shanda C. Hill

(74) *Attorney, Agent, or Firm*—McGinn IP Law Group,  
PLLC

(57) **CLAIM**

The ornamental design for a sewing machine, as shown and described.

**DESCRIPTION**

FIG. 1 is a front view of a sewing machine showing my design;

FIG. 2 is a rear elevational view thereof;

FIG. 3 is a left side elevational view thereof;

FIG. 4 is a right side elevational view thereof;

FIG. 5 is a top plan view thereof;

FIG. 6 is a bottom plan view thereof;

FIG. 7 is a perspective view thereof; and,

FIG. 8 is an exploded perspective view thereof.

**1 Claim, 8 Drawing Sheets**

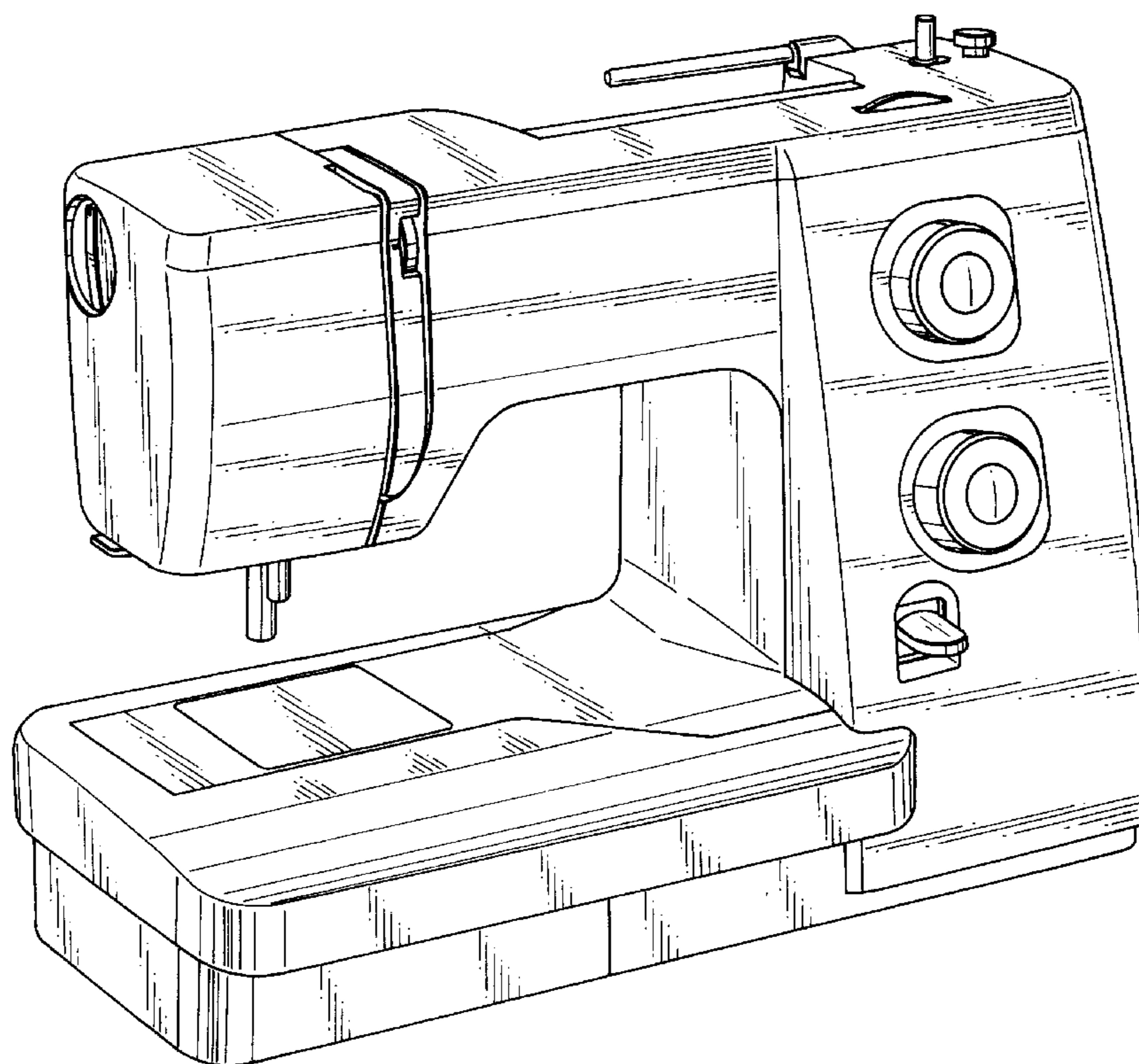


FIG. 1

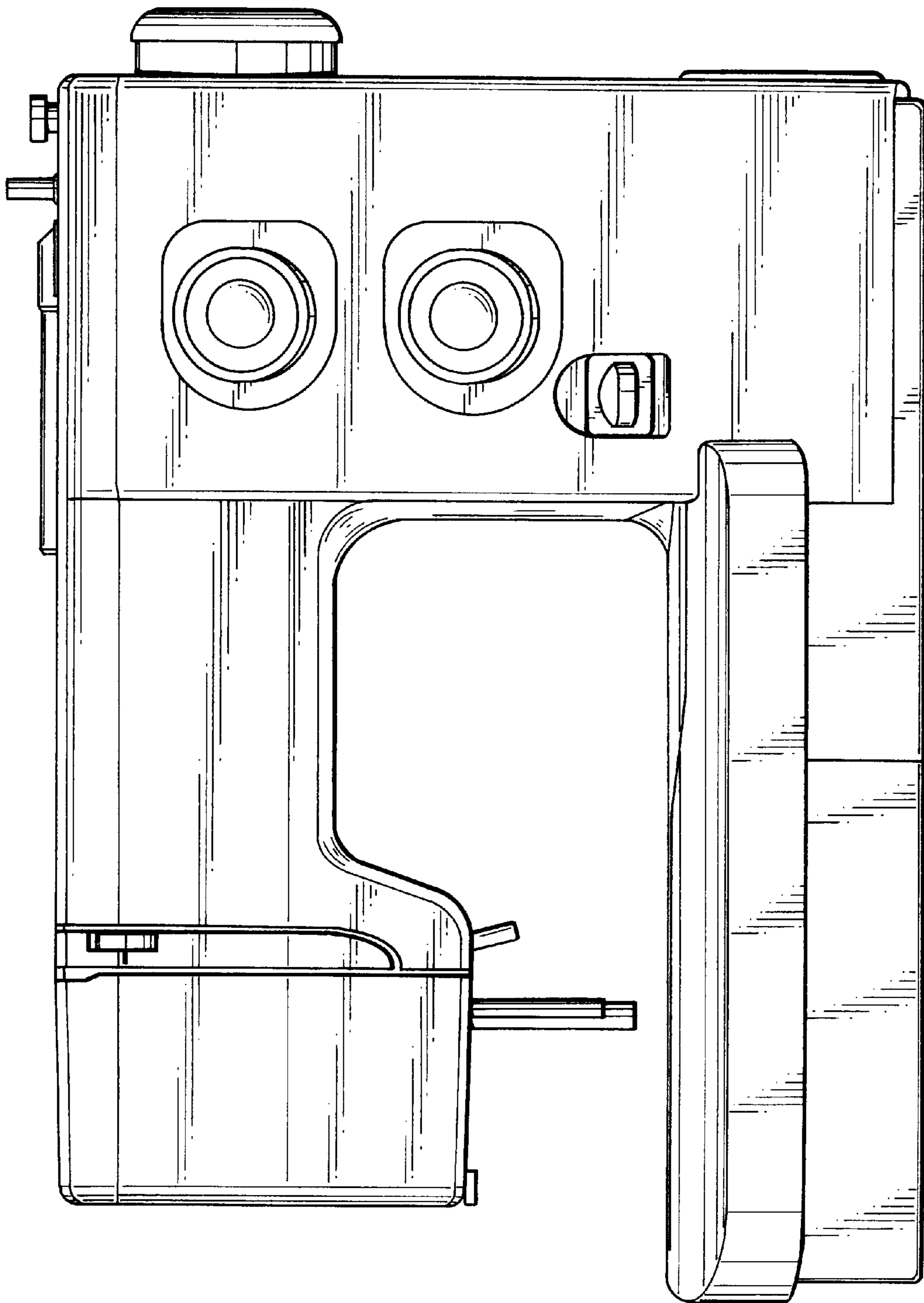


FIG. 2

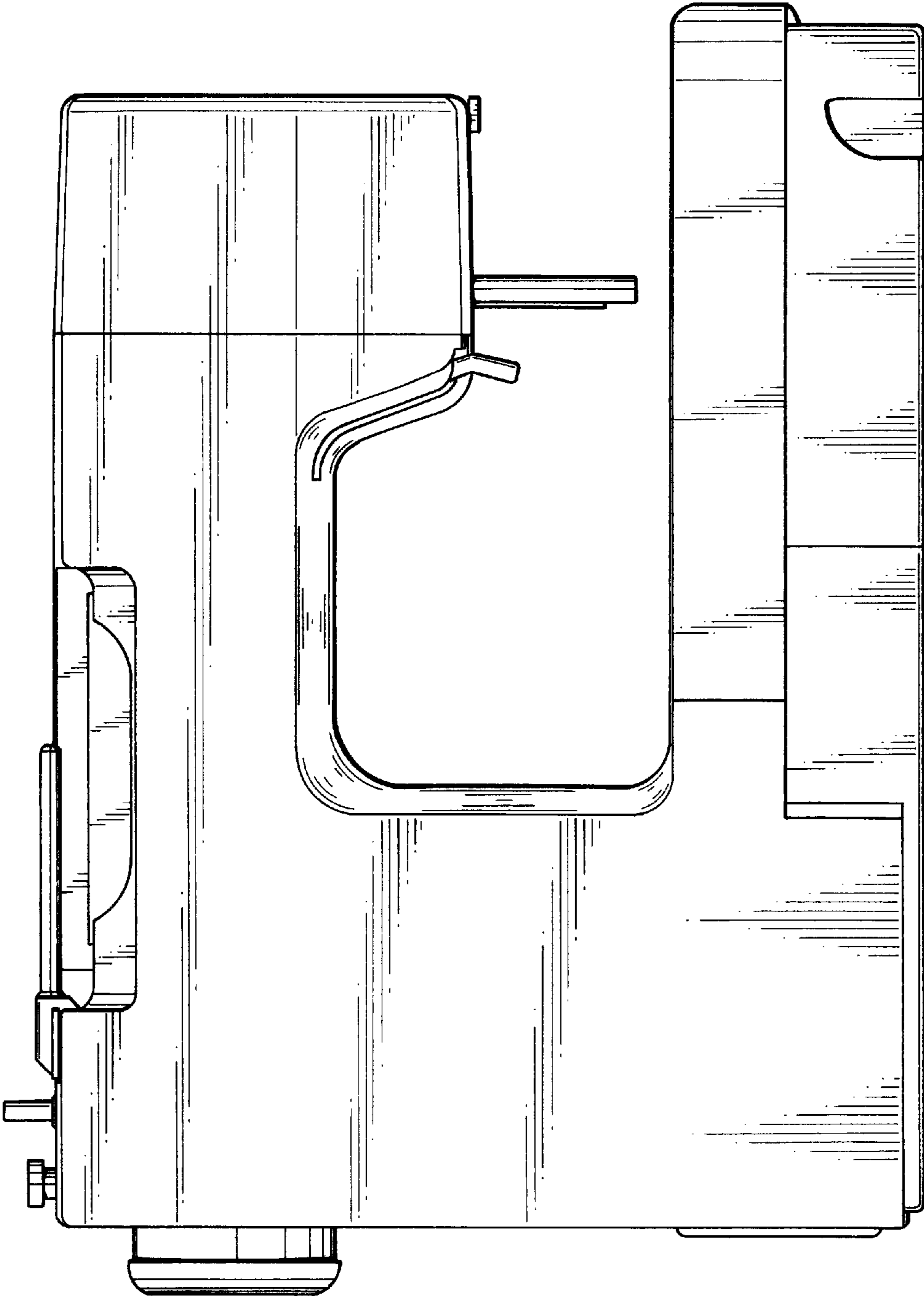


FIG. 3

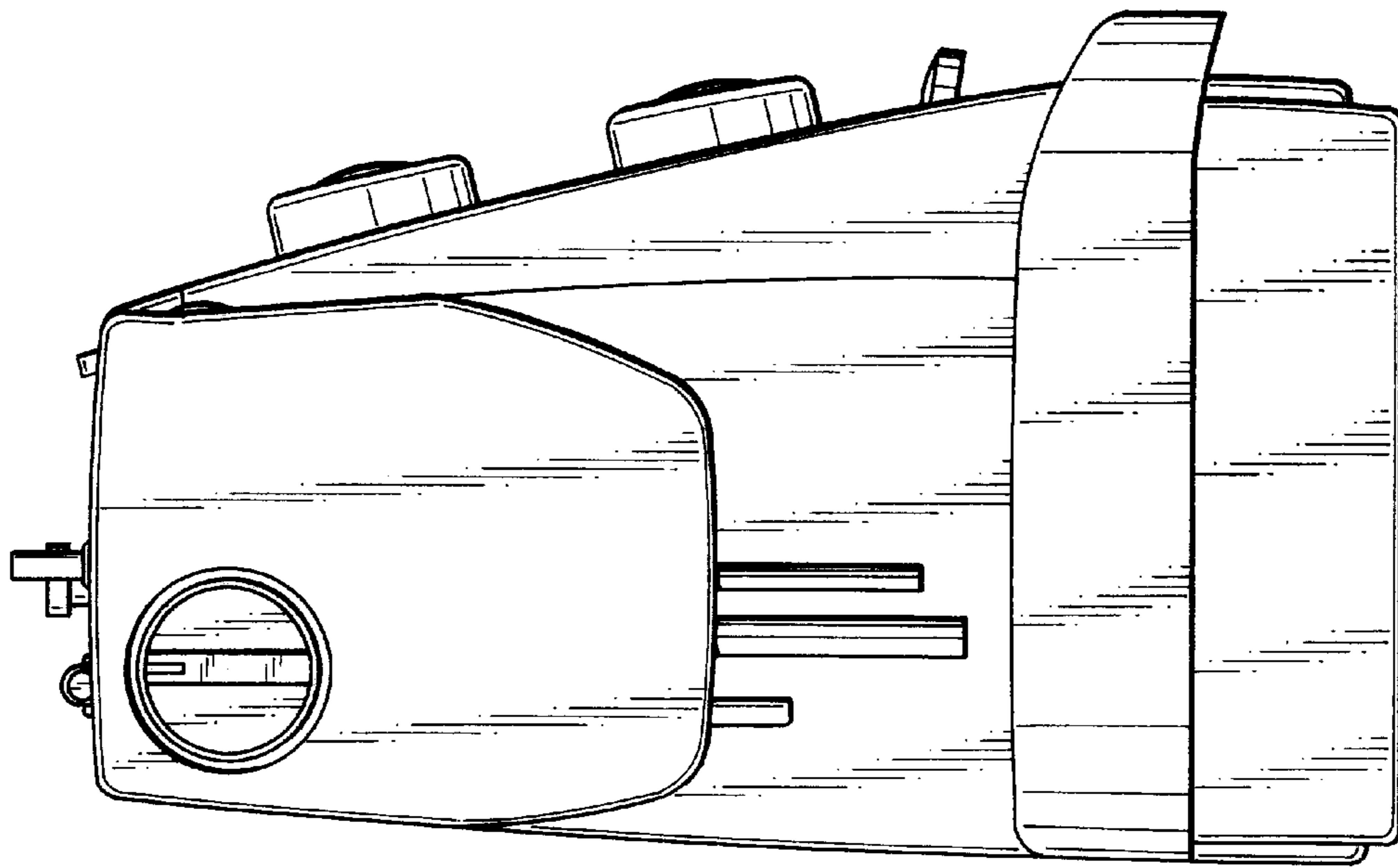


FIG. 4

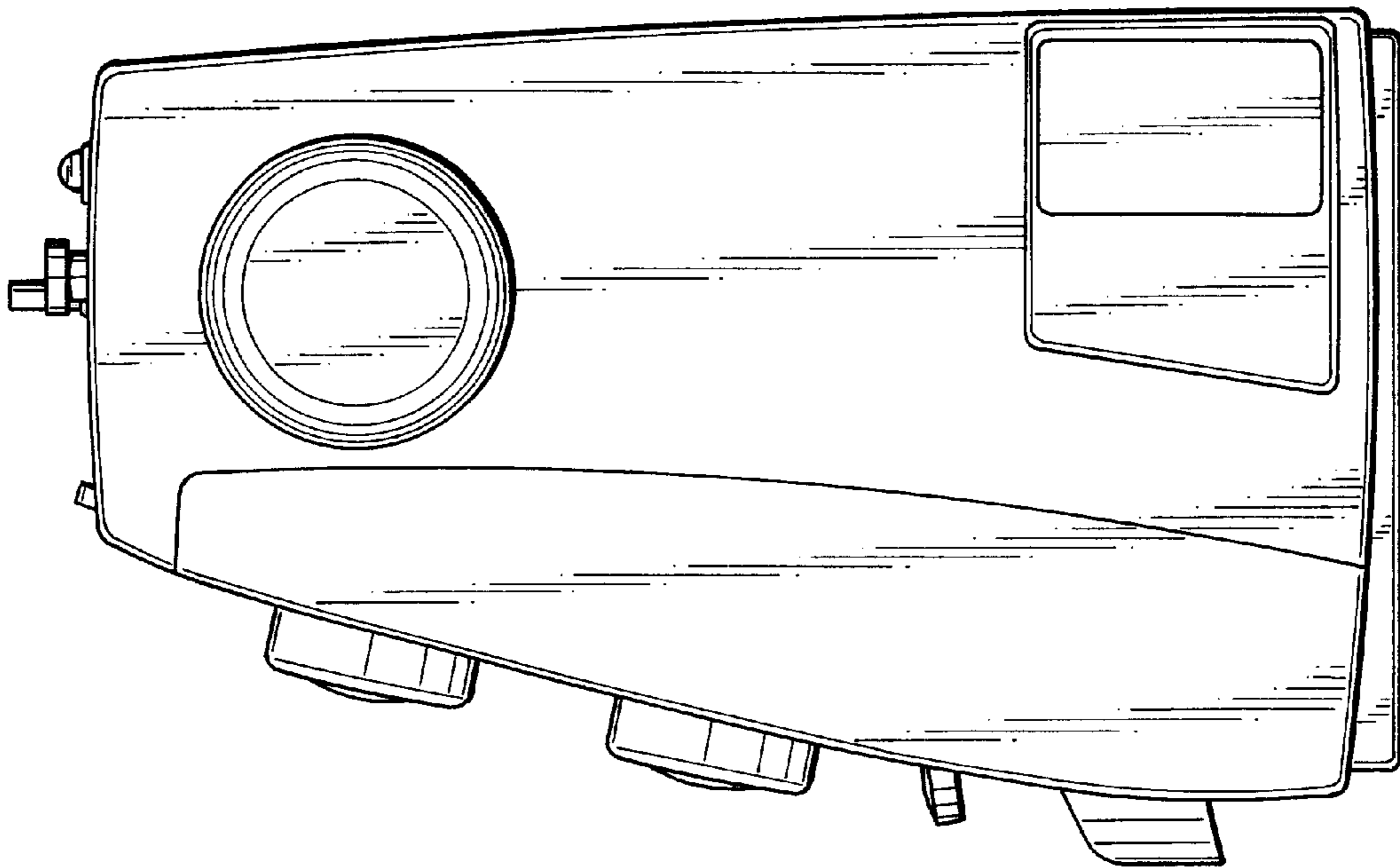


FIG. 5

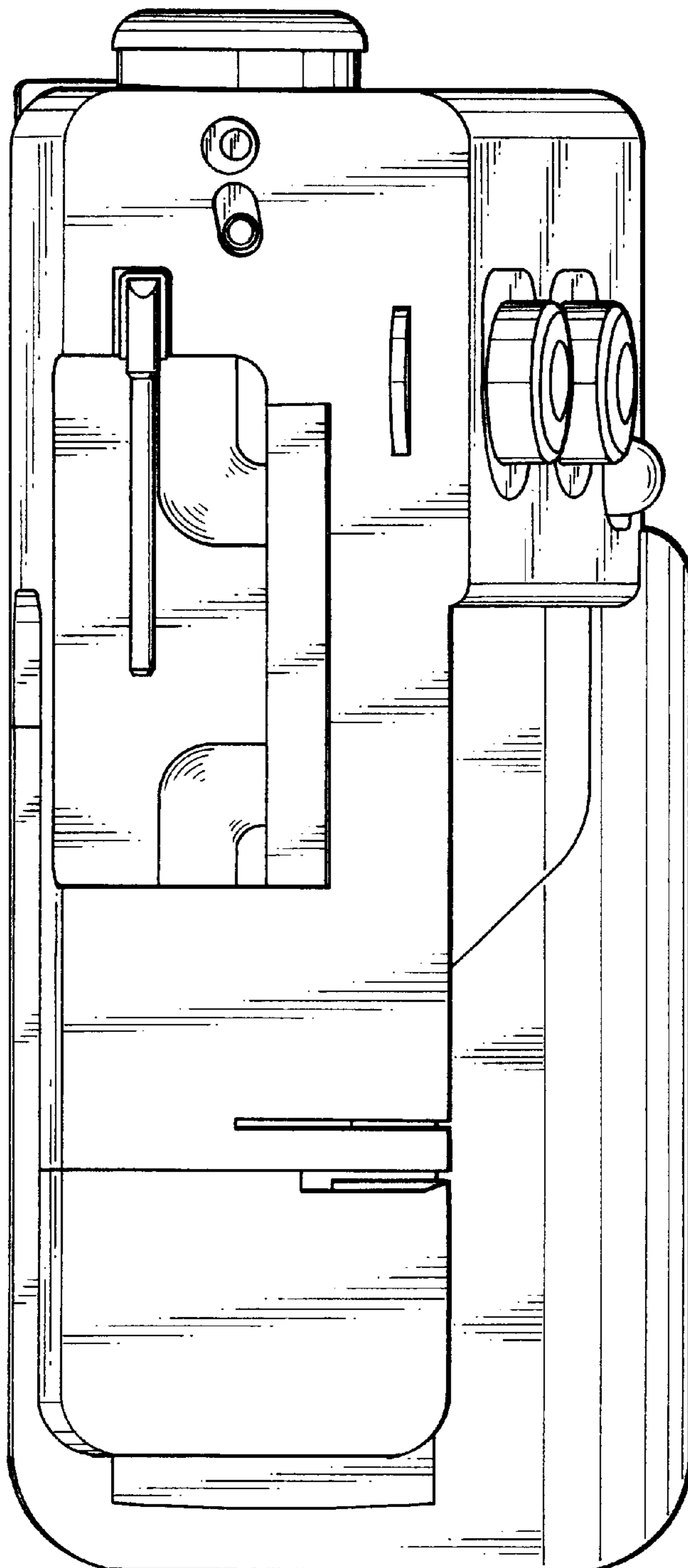


FIG. 6

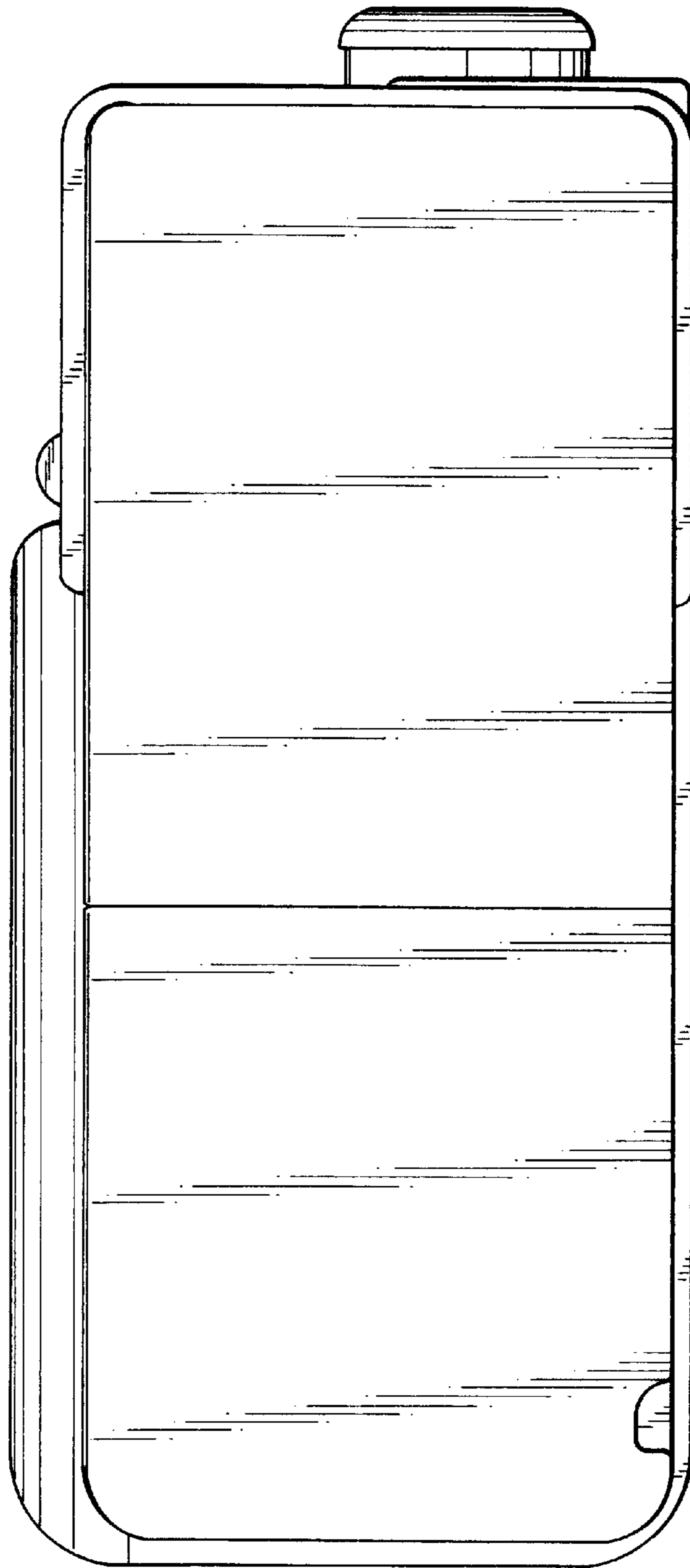
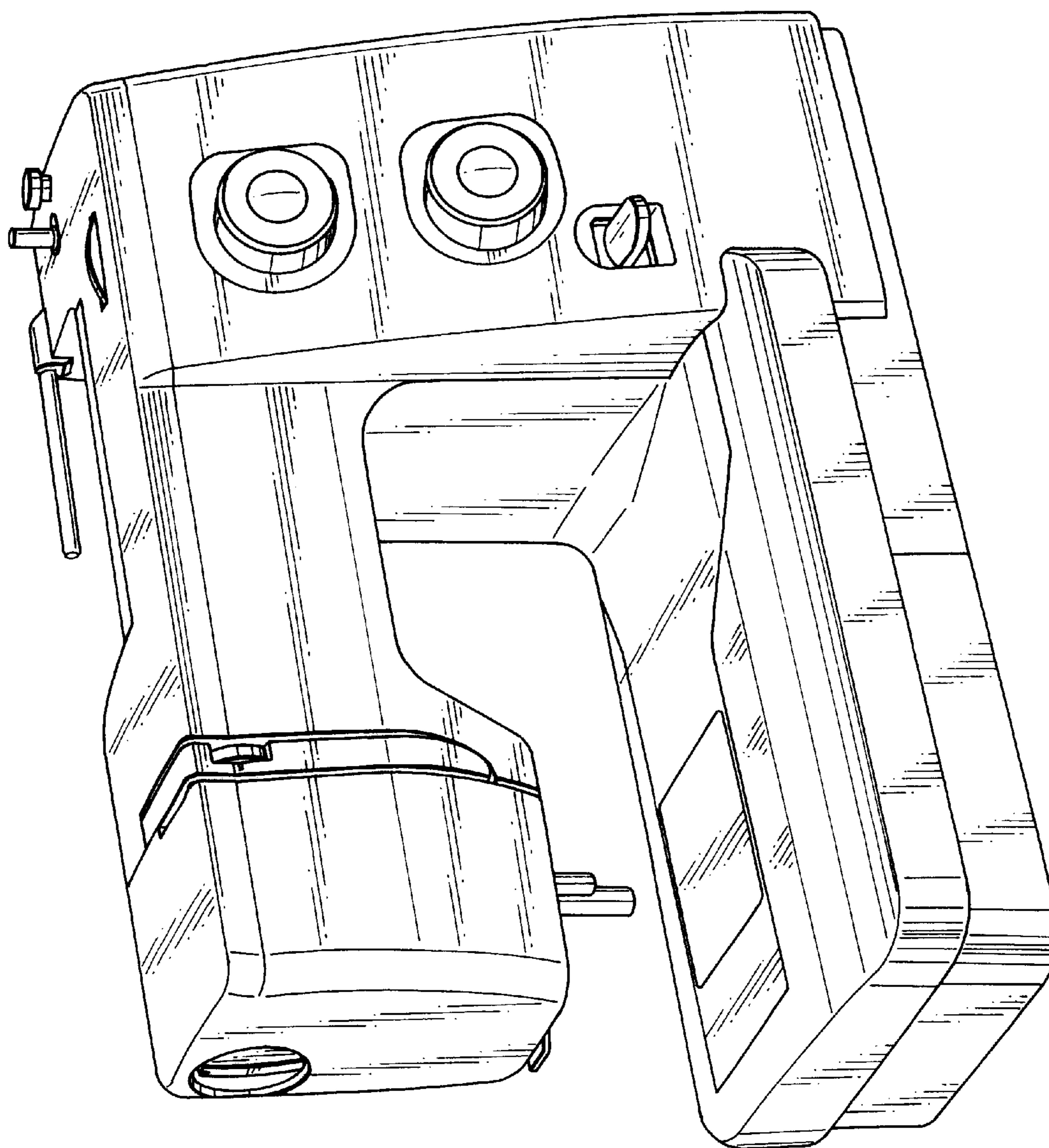


FIG. 7





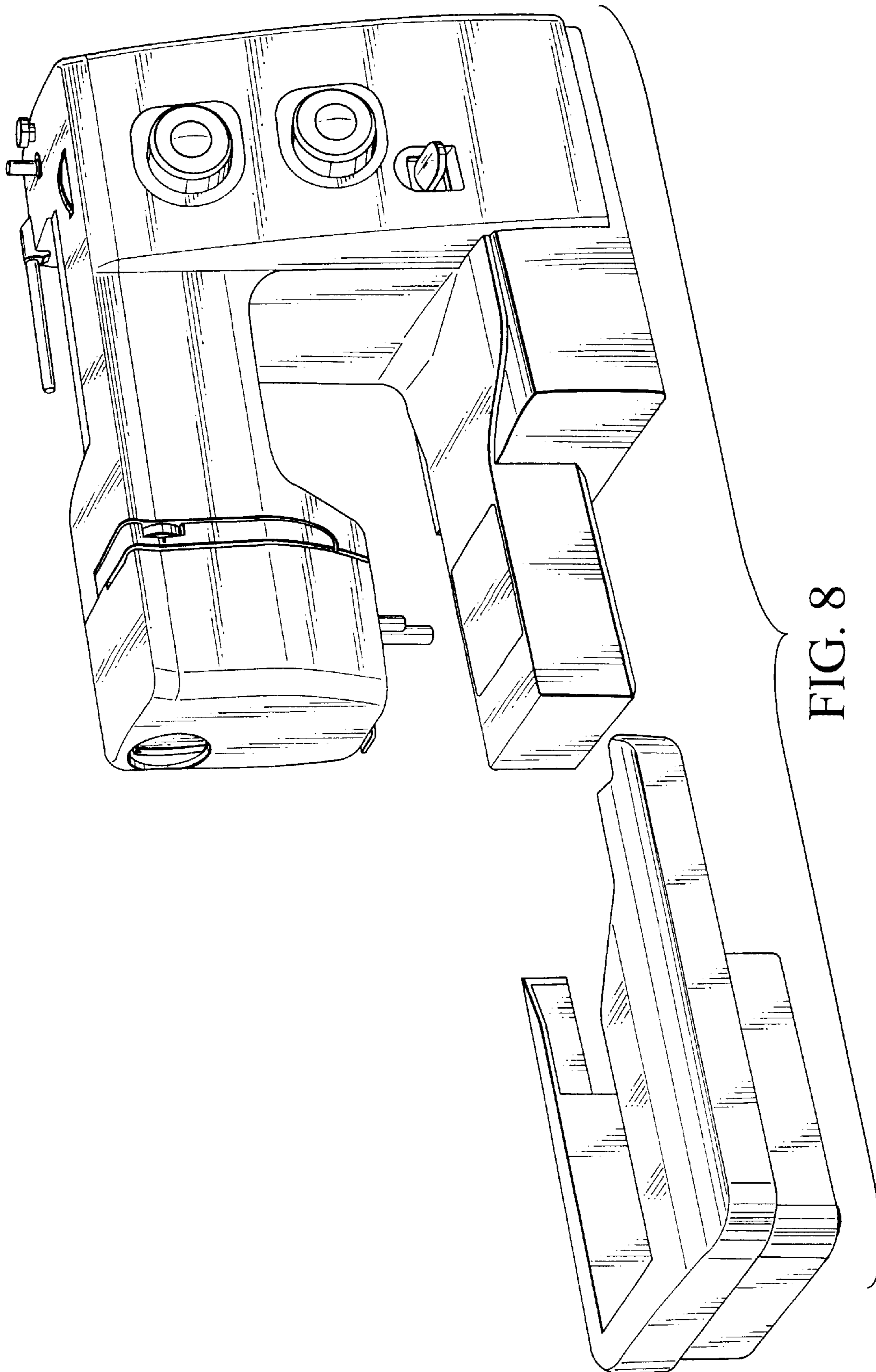


FIG. 8