

US00D523027S

(12) **United States Design Patent**
Yamashita et al.

(10) **Patent No.: US D523,027 S**
(45) **Date of Patent: ** Jun. 13, 2006**

(54) **TRACTOR**

(75) Inventors: **Masaaki Yamashita**, Osaka (JP);
Kunihiko Sakamoto, Osaka (JP);
Hiroaki Ayabe, Osaka (JP); **Seiji Sakada**, Fukuoka (JP); **Makiko Tajima**, Osaka (JP)

(73) Assignee: **Yanmar Co. Ltd.**, Osaka (JP)

(**) Term: **14 Years**

(21) Appl. No.: **29/241,542**

(22) Filed: **Oct. 27, 2005**

Related U.S. Application Data

(62) Division of application No. 29/219,048, filed on Dec. 9, 2004.

(30) **Foreign Application Priority Data**

Sep. 3, 2004 (JP) 2004-026761

(51) **LOC (8) Cl.** **12-09**

(52) **U.S. Cl.** **D15/23; D15/25**

(58) **Field of Classification Search** D15/10,
D15/22-26, 33; D21/431; 37/403, 409, 442,
37/443; 180/89.1, 89.12, 89.13; 296/190.03;
414/685, 694, 722, 724

See application file for complete search history.

(56) **References Cited**

U.S. PATENT DOCUMENTS

4,182,456 A 1/1980 Paul
D256,017 S * 7/1980 Emundts et al. D15/23
D274,524 S * 7/1984 Koval et al. D15/23

4,506,756 A * 3/1985 Bergous 180/291
D329,435 S 9/1992 Katoh et al.
5,265,995 A 11/1993 Beck
D387,068 S * 12/1997 Kato et al. D15/23
D391,581 S 3/1998 Kato et al.
D406,151 S 2/1999 Cunningham et al.
5,873,612 A 2/1999 Connor
D416,266 S 11/1999 Del Torchio
D431,575 S 10/2000 Park
D440,234 S * 4/2001 Katoh et al. D15/23
D498,245 S 11/2004 Kuwae et al.

* cited by examiner

Primary Examiner—Stella Reid

Assistant Examiner—Mark Goodwin

(74) *Attorney, Agent, or Firm*—Sheridan Ross P.C.

(57) **CLAIM**

The ornamental design for a tractor, as shown and described.

DESCRIPTION

FIG. 1 is a front perspective view of a tractor showing our new design;

FIG. 2 is a rear perspective view thereof;

FIG. 3 is a left side view thereof;

FIG. 4 is a right side view thereof;

FIG. 5 is a top plan view thereof;

FIG. 6 is a bottom plan view thereof;

FIG. 7 is a front view thereof; and,

FIG. 8 is a rear view thereof.

The broken lines shown are for illustrative purposes only and form no part of the claimed design. The dashed portions are for environmental purposes only and form no part of the claimed design.

1 Claim, 4 Drawing Sheets

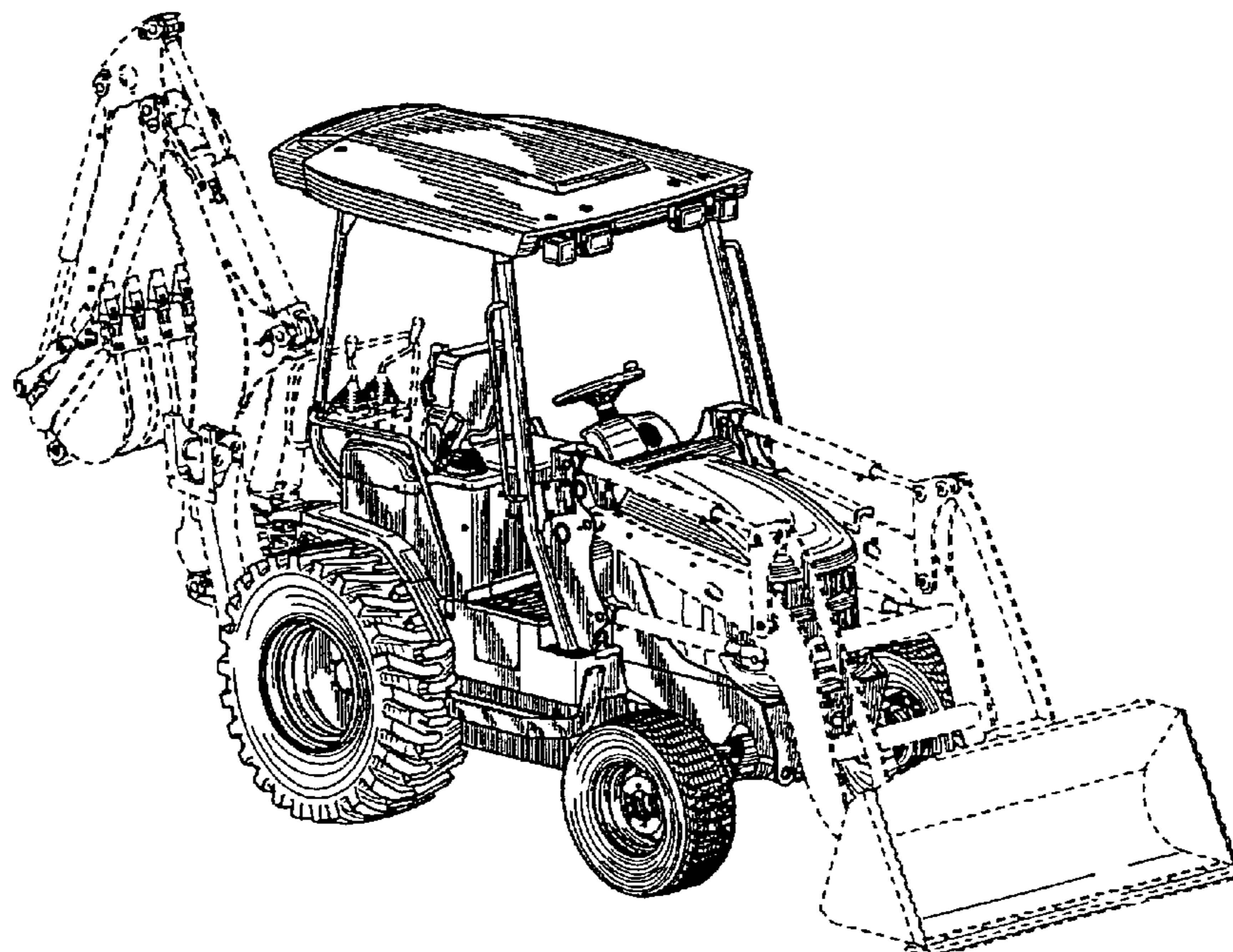


FIG. 1

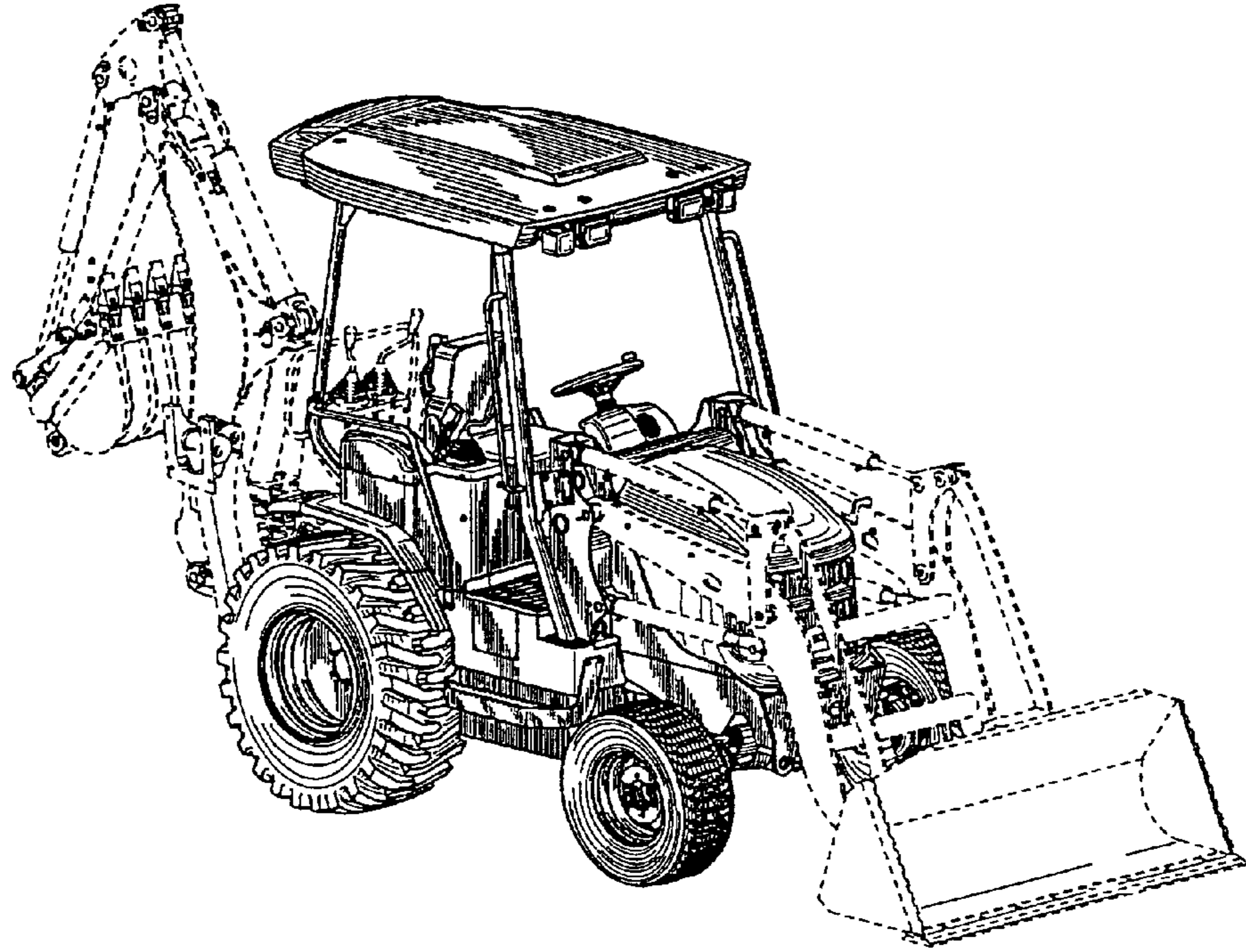


FIG. 2

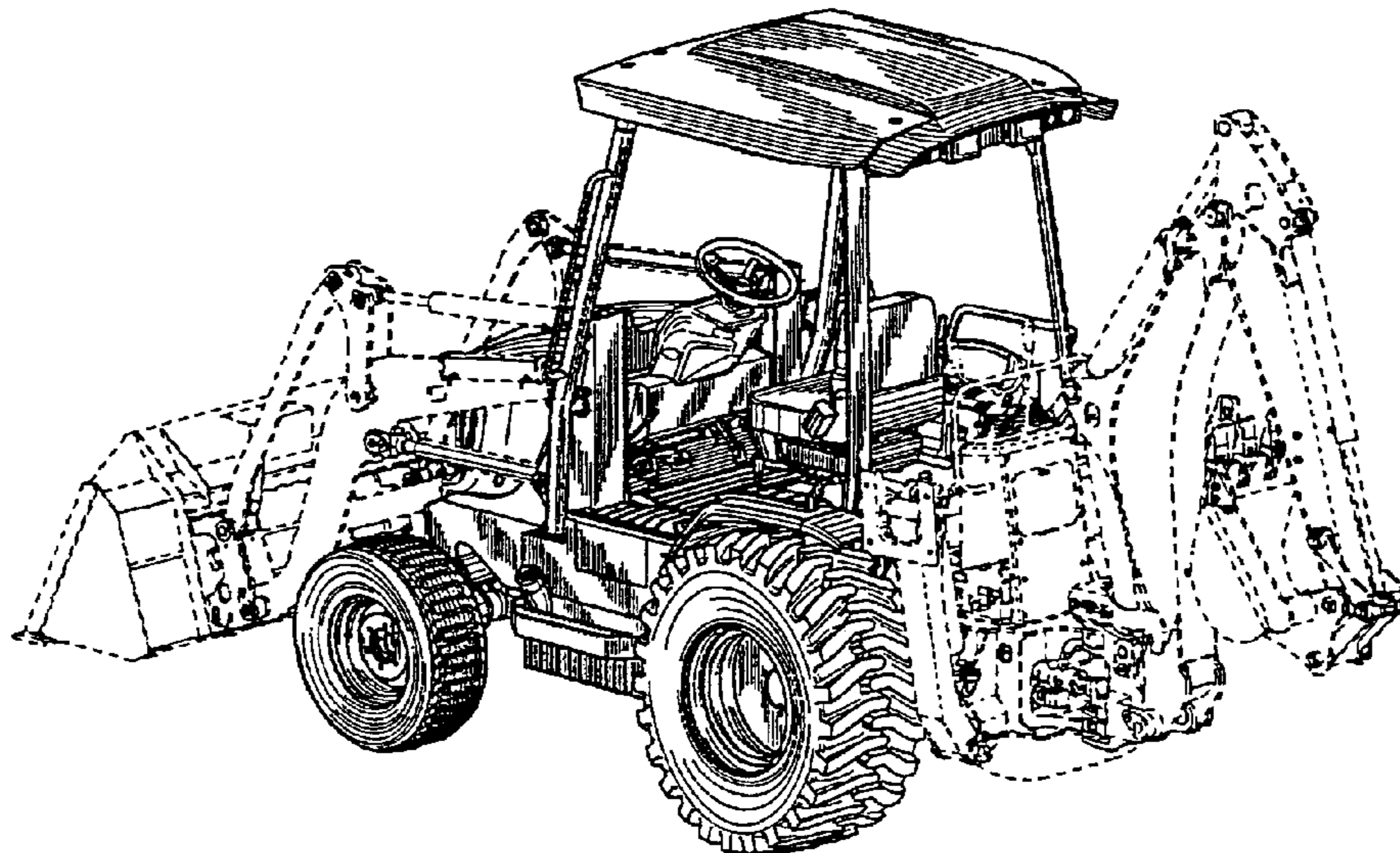


FIG. 3

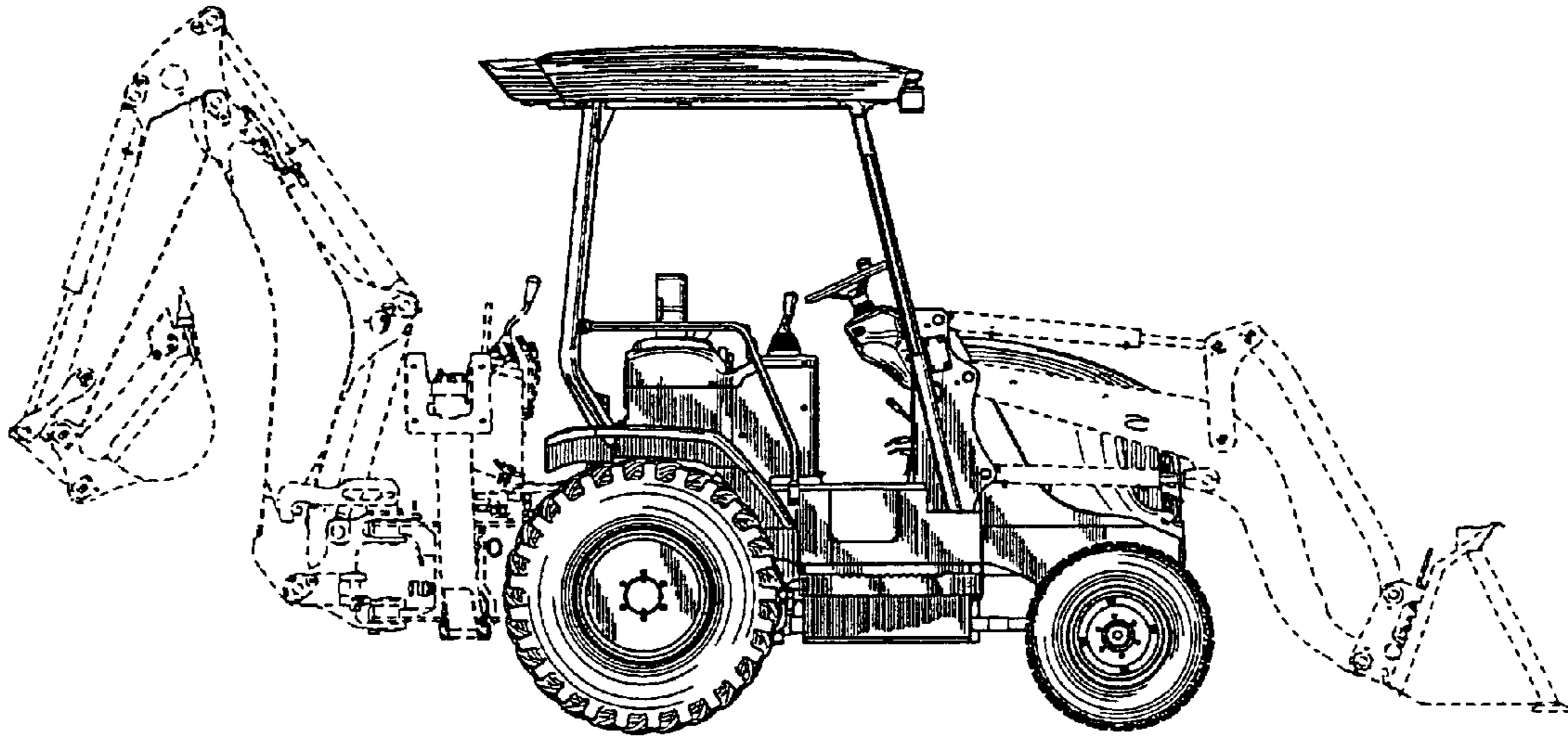


FIG. 4

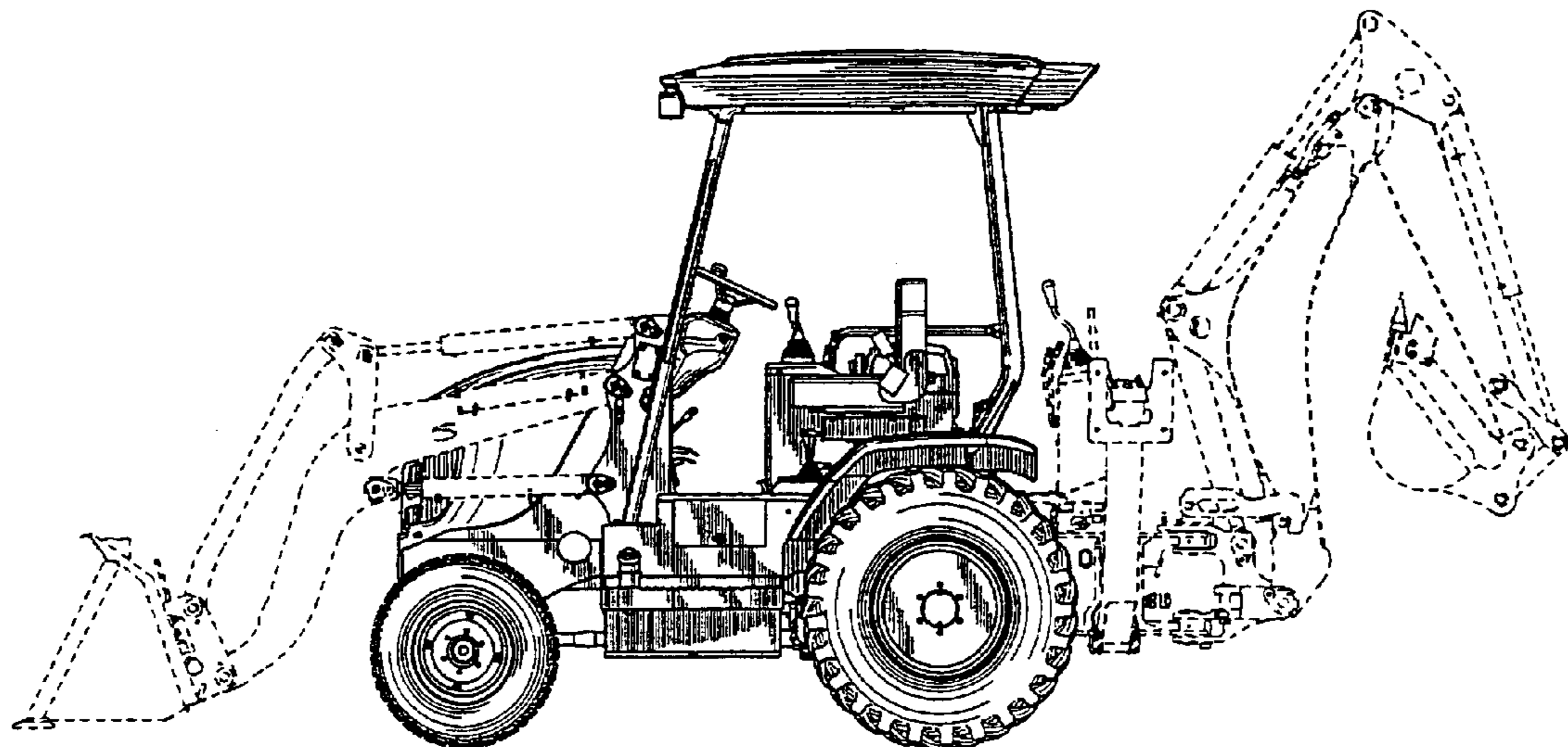


FIG. 5

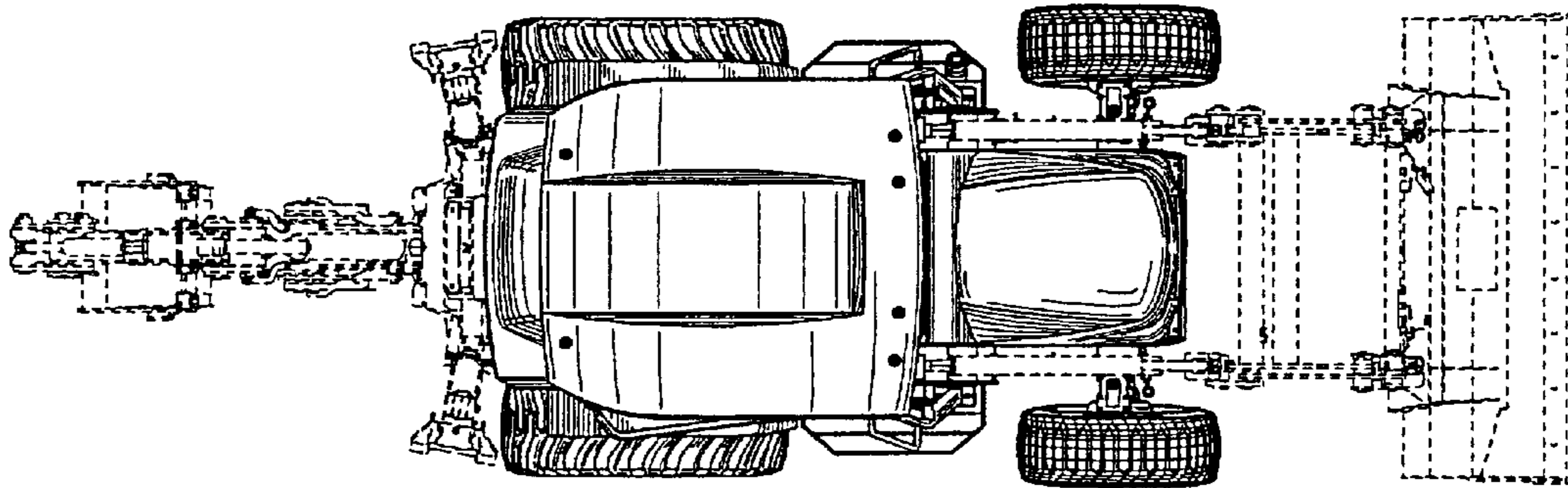


FIG. 6

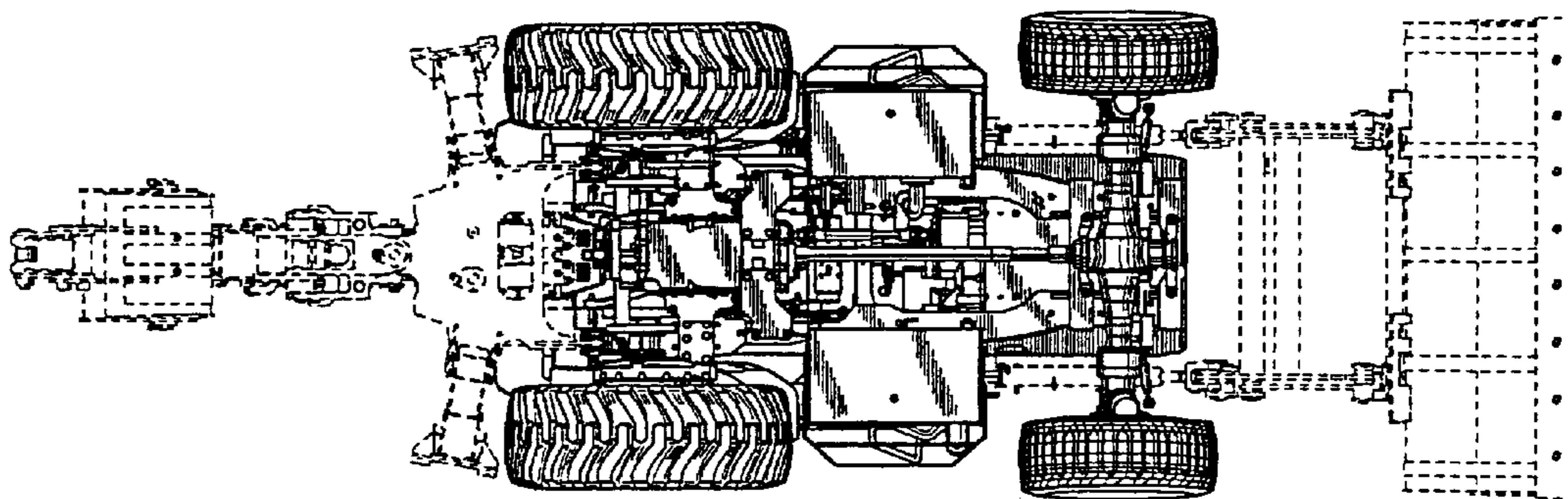


FIG. 7

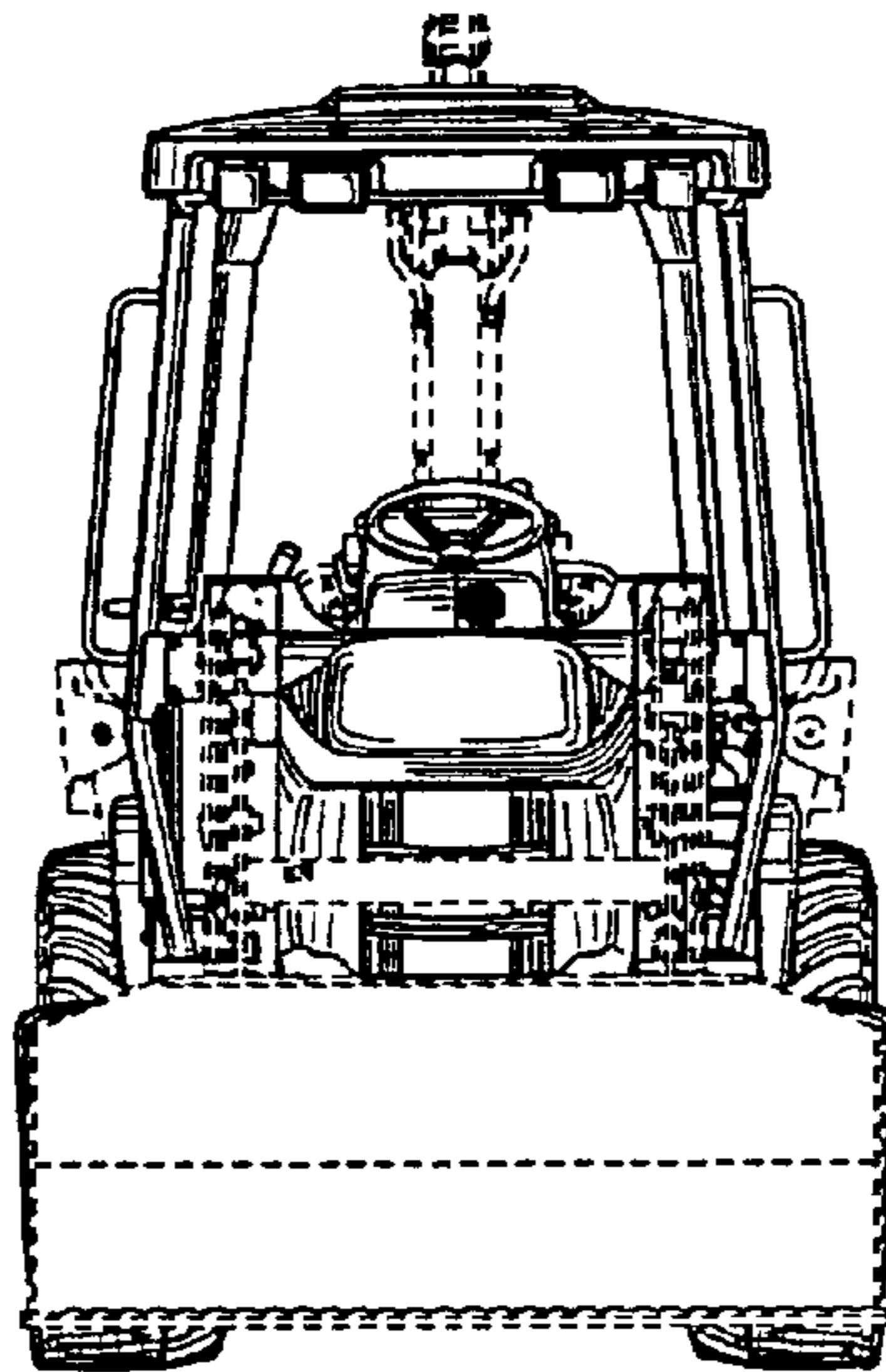


FIG. 8

