



US00D523026S

(12) **United States Design Patent**  
**Vaughn**

(10) **Patent No.:** **US D523,026 S**

(45) **Date of Patent:** **\*\* Jun. 13, 2006**

(54) **TILLER**

(75) **Inventor:** **Christopher Wayne Vaughn**, Mebane, NC (US)

(73) **Assignee:** **Honda Motor Co., Ltd.**, Tokyo (JP)

(\*\*) **Term:** **14 Years**

(21) **Appl. No.:** **29/213,737**

(22) **Filed:** **Sep. 22, 2004**

(51) **LOC (8) Cl.** ..... **15-03**

(52) **U.S. Cl.** ..... **D15/12**

(58) **Field of Classification Search** ..... D15/10-12;  
172/74, 42, 43, 260, 256, 250; 180/53.1  
See application file for complete search history.

(56) **References Cited**

**U.S. PATENT DOCUMENTS**

D231,005 S	*	3/1974	Noma et al.	.....	D15/12
D244,682 S		6/1977	Miner		
D249,518 S		9/1978	Cognata et al.		
D252,879 S		9/1979	Lessig, III et al.		
4,191,259 A	*	3/1980	Boren	.....	172/43
D269,784 S		7/1983	Stark		
4,640,366 A	*	2/1987	Saito	.....	172/42
D297,238 S		8/1988	Horikawa et al.		

D354,496 S		1/1995	Katoh et al.		
5,573,069 A	*	11/1996	Shipley	.....	172/42
D415,502 S	*	10/1999	Yoshida	.....	D15/12
D416,026 S		11/1999	Ohsumi et al.		
D449,052 S	*	10/2001	Ito et al.	.....	D15/12
D475,067 S		5/2003	Ito et al.		
D486,502 S	*	2/2004	Yuzuriha et al.	.....	D15/12

\* cited by examiner

*Primary Examiner*—Stella Reid

*Assistant Examiner*—Mark Goodwin

(74) *Attorney, Agent, or Firm*—Jenkins, Wilson, Taylor & Hint, P.A.

(57) **CLAIM**

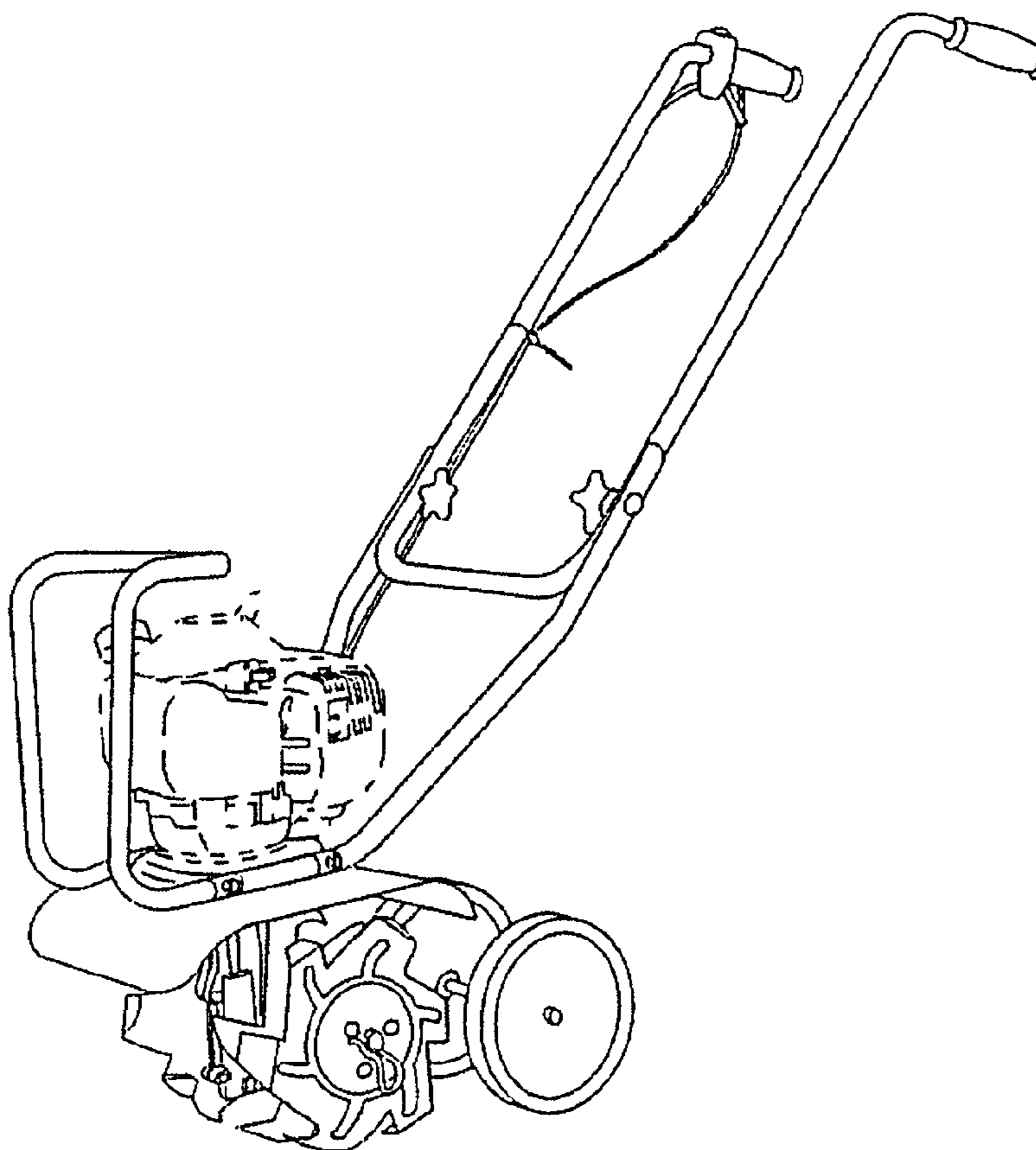
The ornamental design for a tiller, as shown and described.

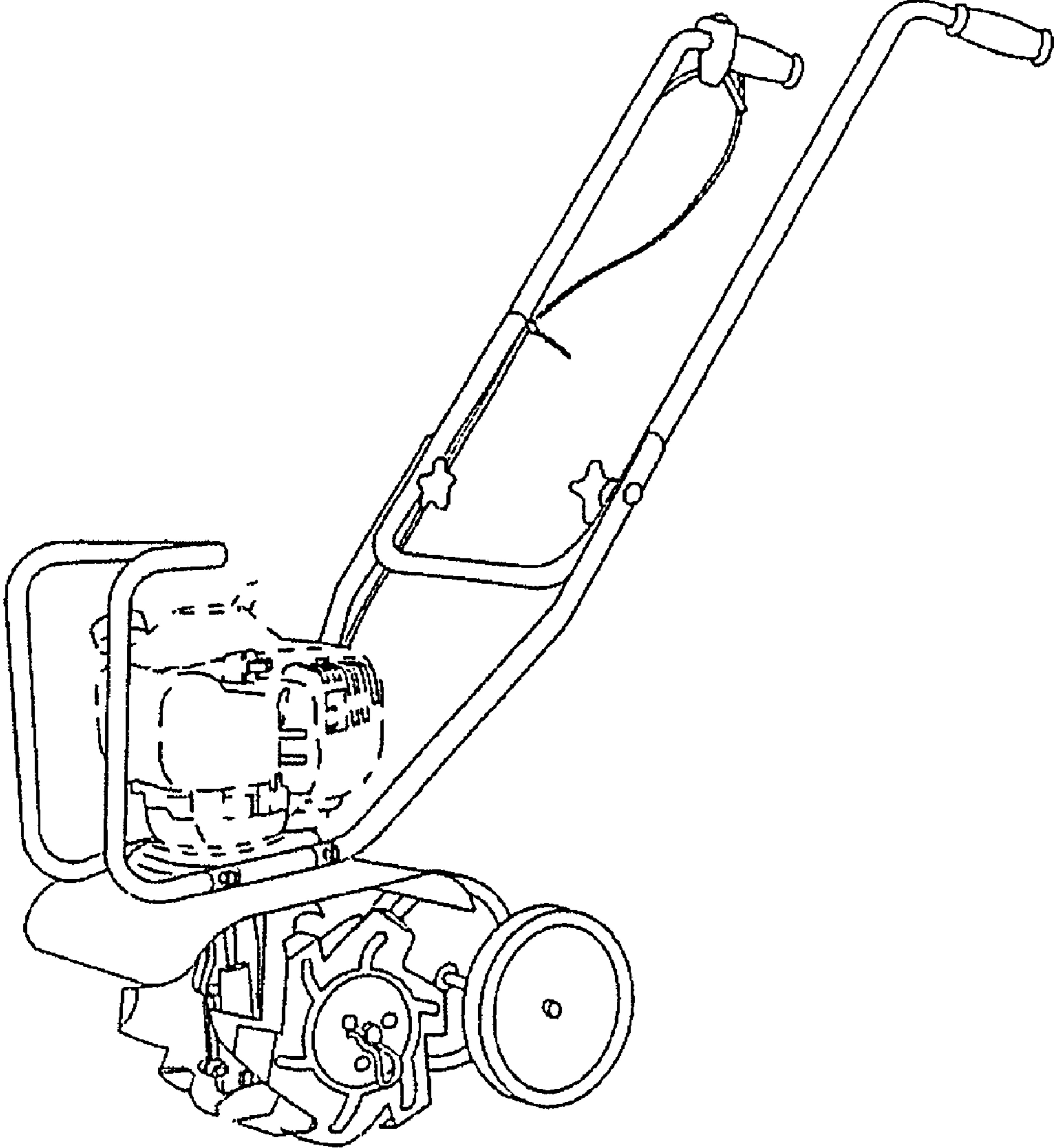
**DESCRIPTION**

FIG. 1 is a perspective view of a tiller showing a new design; FIG. 2 is a right side view of the tiller; FIG. 3 is a left side view of the tiller; FIG. 4 is a rear view of the tiller; FIG. 5 is a front view of the tiller; FIG. 6 is a top view of the tiller; and, FIG. 7 is a bottom view of the tiller.

The portions of the tiller shown in broken lines in the drawings form no part of the claimed design.

**1 Claim, 7 Drawing Sheets**





**FIG. 1**

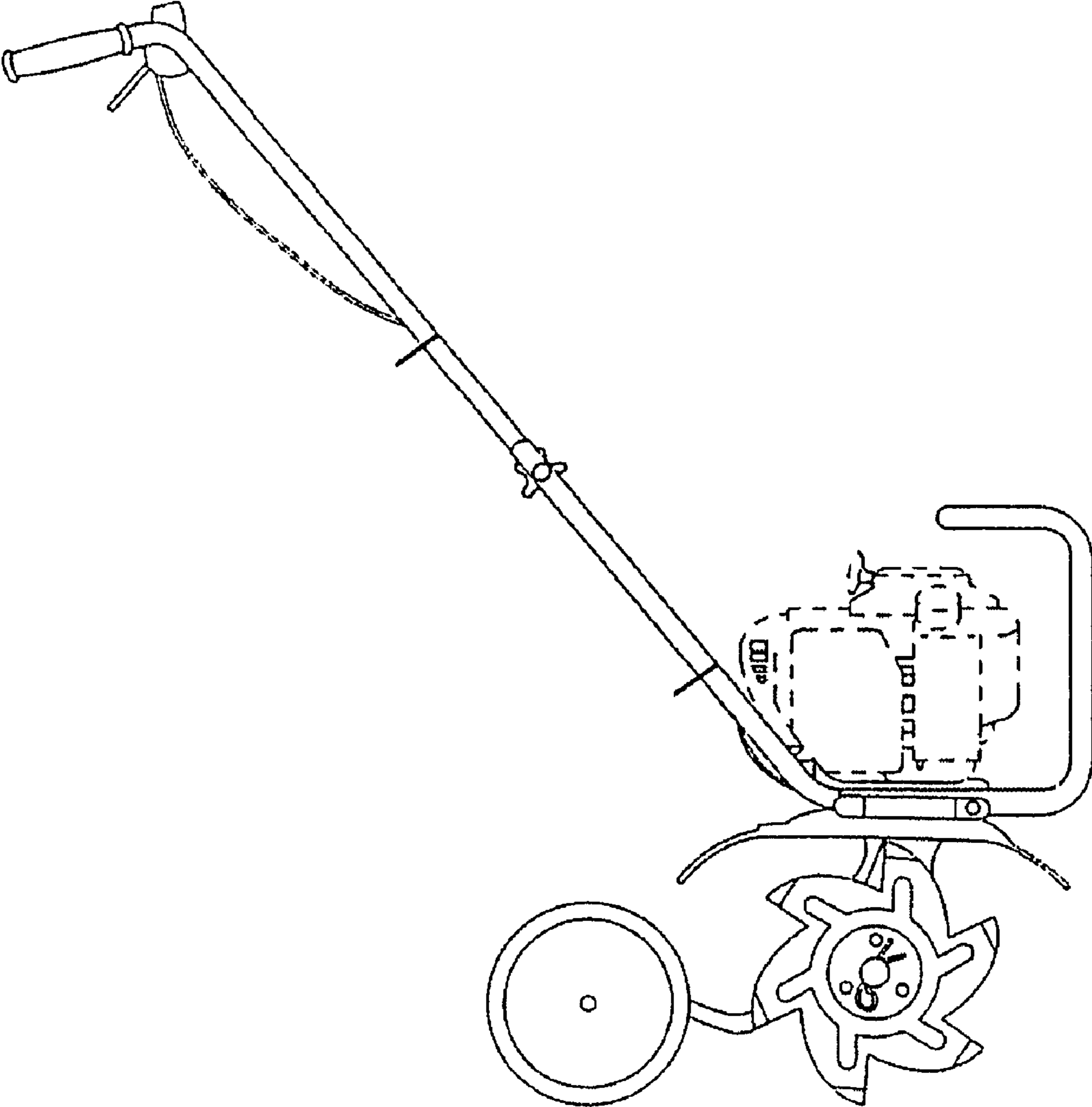
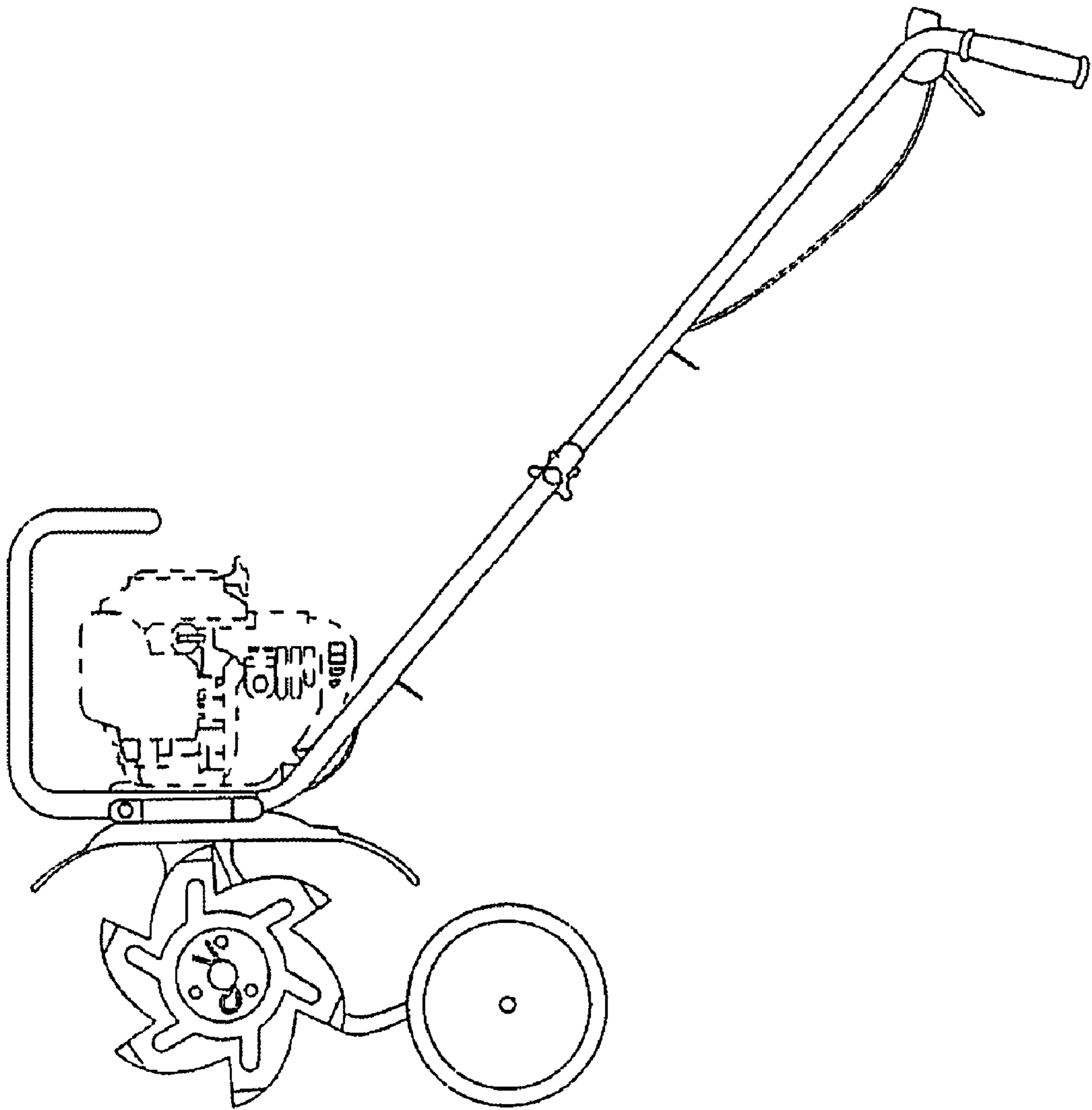
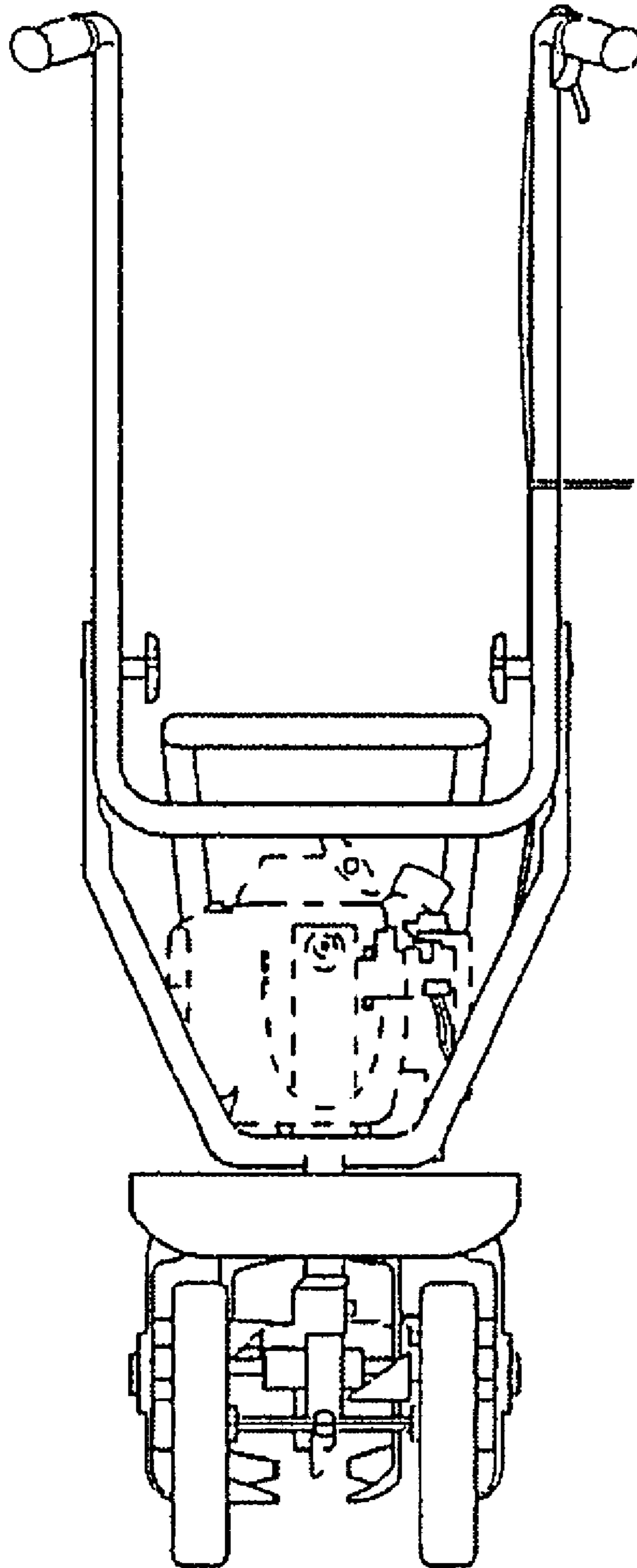


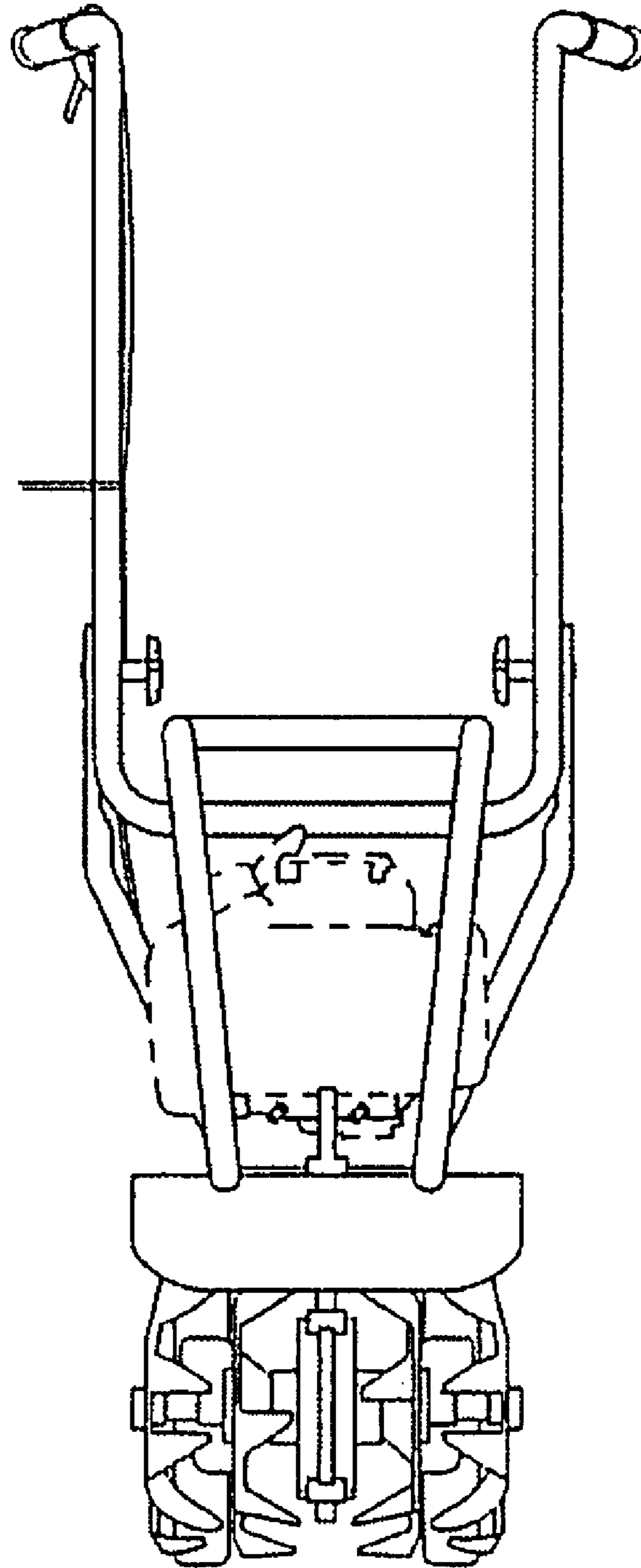
FIG. 2



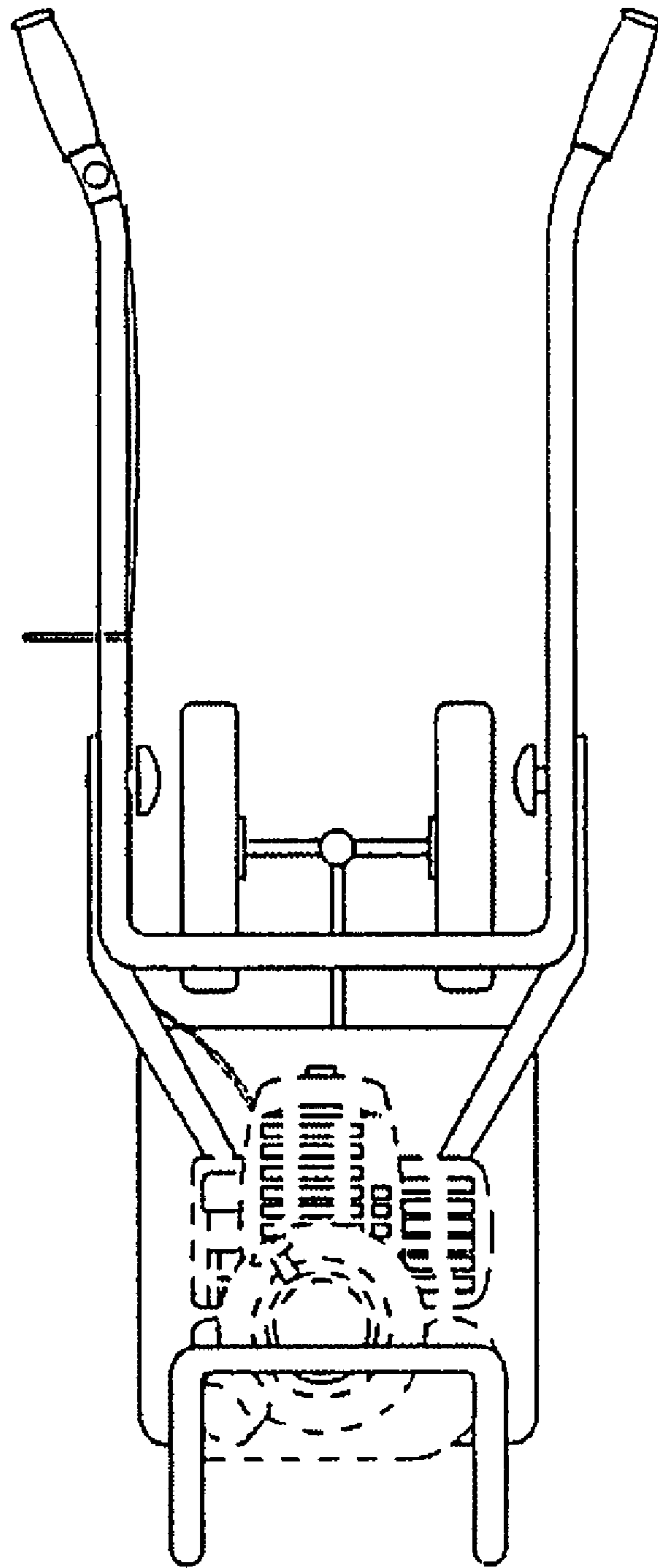
**FIG. 3**



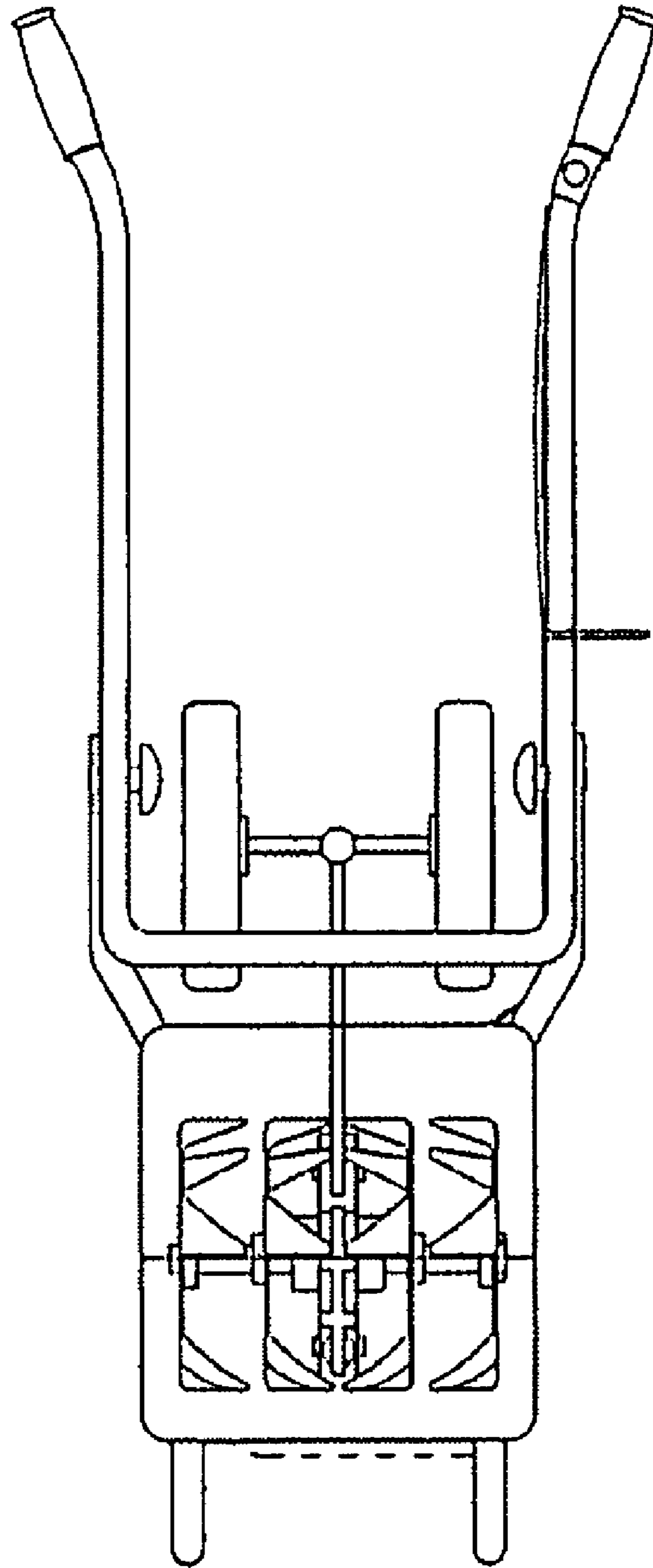
**FIG. 4**



**FIG. 5**



**FIG. 6**



**FIG. 7**