

US00D523022S

(12) **United States Design Patent**  
**Peng**

(10) **Patent No.:** **US D523,022 S**

(45) **Date of Patent:** **\*\* Jun. 13, 2006**

(54) **CARRIAGEABLE MULTIMEDIA RECEIVER**

(75) Inventor: **Juen Tien Peng, Chung Li (TW)**

(73) Assignee: **Action Electronics Co., Ltd., Chung Li (TW)**

(\*\*) Term: **14 Years**

(21) Appl. No.: **29/220,139**

(22) Filed: **Dec. 28, 2004**

(51) **LOC (8) Cl.** ..... **14-03**

(52) **U.S. Cl.** ..... **D14/496; D14/188**

(58) **Field of Classification Search** ..... D14/496,  
D14/188, 125, 126, 138, 155, 160, 168, 230,  
D14/217; 455/344-347; 345/418, 419, 156,  
345/905; 369/1, 2, 6-12; 434/308, 309, 310,  
434/314, 315, 316; 273/148 B; 463/1, 43-47  
See application file for complete search history.

(56) **References Cited**

**U.S. PATENT DOCUMENTS**

5,218,466 A \* 6/1993 Brooks ..... 398/139  
D360,413 S \* 7/1995 Kawazoe et al. .... D14/125  
5,899,700 A \* 5/1999 Williams et al. .... 434/308

5,914,914 A \* 6/1999 Moran ..... 369/4  
D427,180 S \* 6/2000 Humes et al. .... D14/230  
D428,876 S \* 8/2000 Renkis ..... D14/230  
6,411,290 B1 \* 6/2002 Sasaki ..... 345/418  
D477,304 S \* 7/2003 Isaacs et al. .... D14/188  
D496,346 S \* 9/2004 Fuss et al. .... D14/188  
6,922,185 B1 \* 7/2005 Yamada et al. .... 345/157  
6,933,928 B1 \* 8/2005 Lilienthal ..... 345/173

\* cited by examiner

*Primary Examiner*—Prabhakar Deshmukh

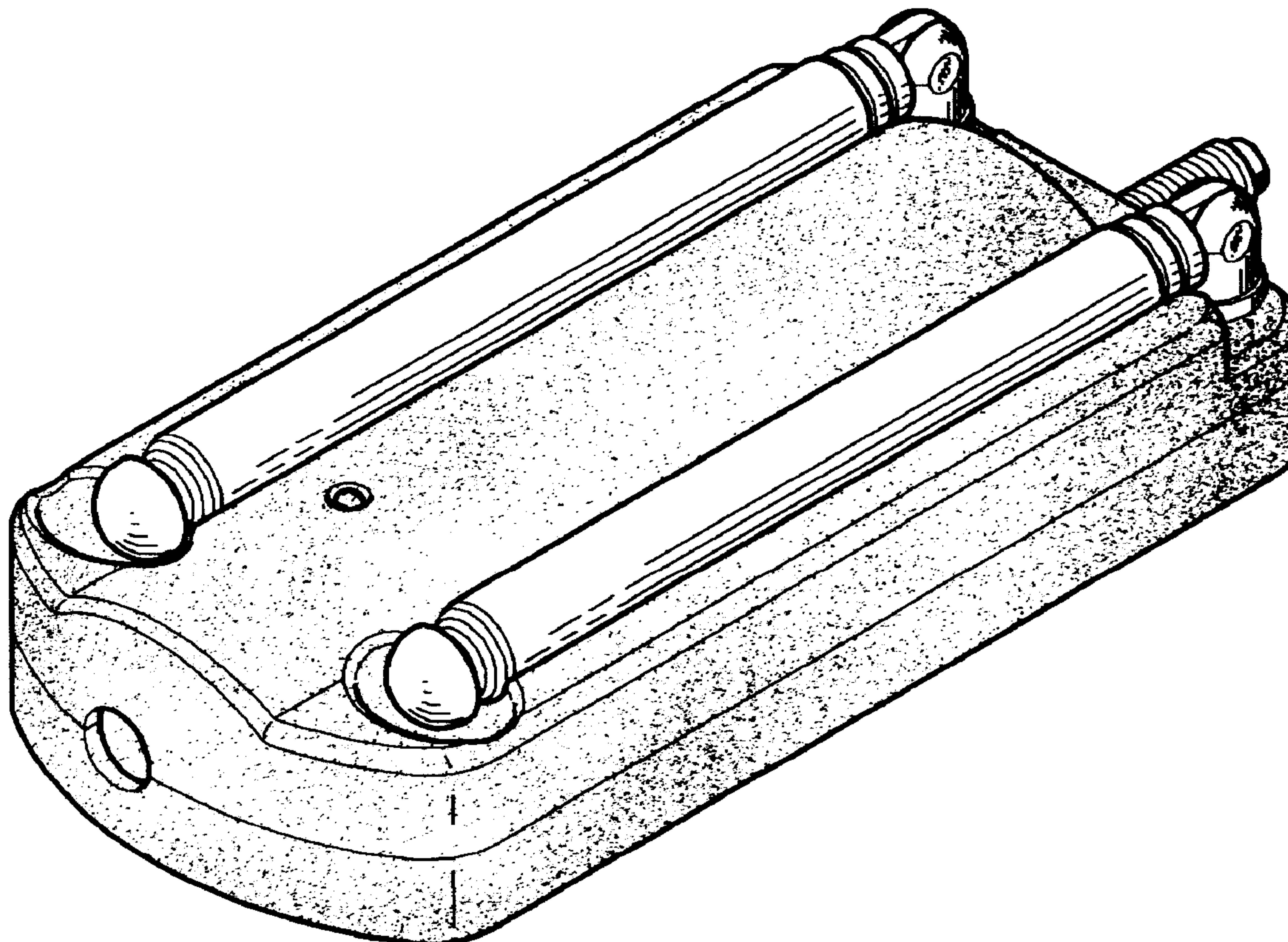
(57) **CLAIM**

The ornamental design for a carriageable multimedia receiver, as shown and described.

**DESCRIPTION**

FIG. 1 is a perspective view of carriageable multimedia receiver showing my design.  
FIG. 2 is a front elevational view thereof;  
FIG. 3 is rear elevational view thereof;  
FIG. 4 is left elevational view thereof;  
FIG. 5 is a right elevational view thereof;  
FIG. 6 is a top view thereof; and,  
FIG. 7 is a bottom view thereof.

**1 Claim, 4 Drawing Sheets**



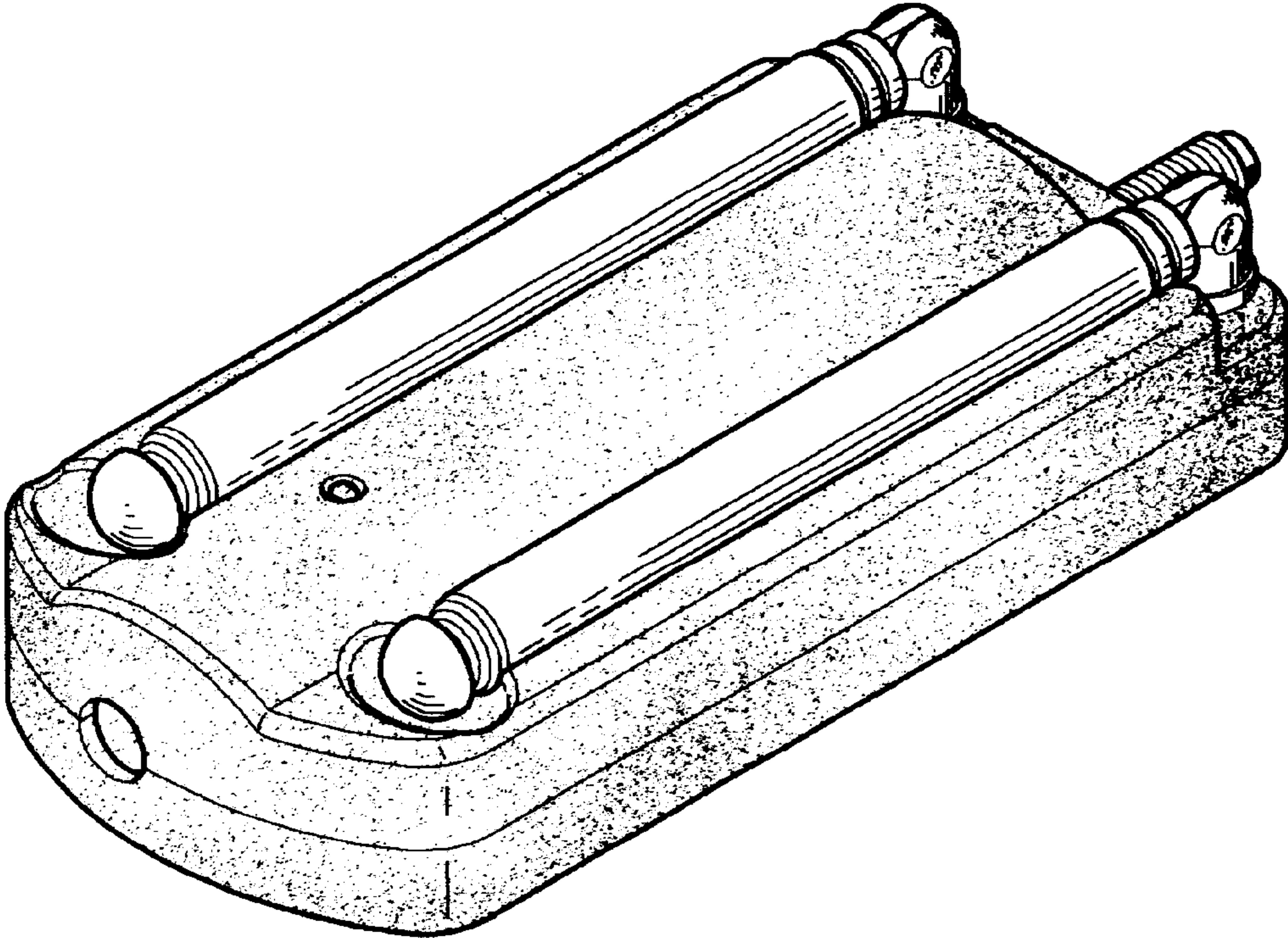


FIG. 1

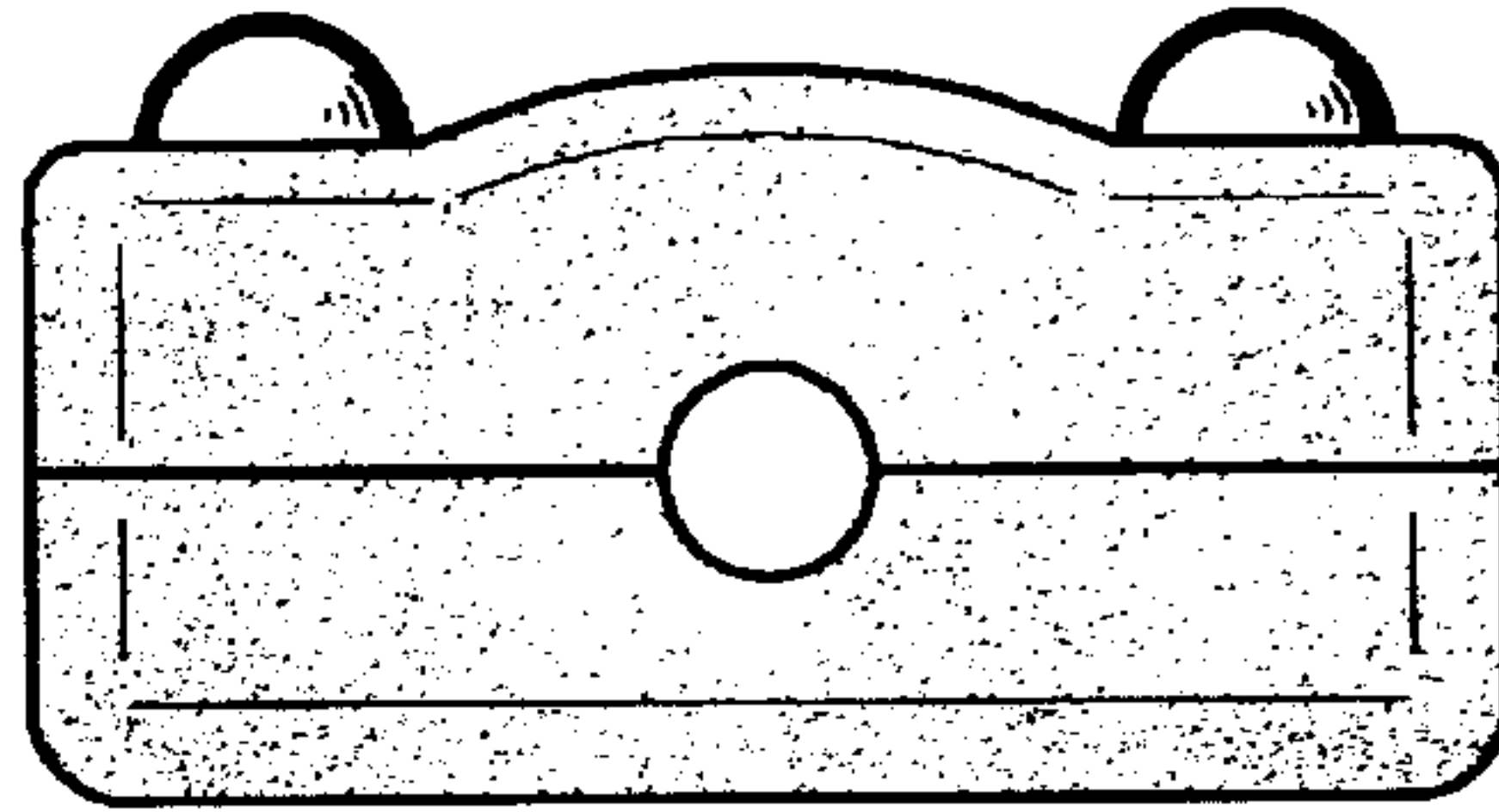


FIG. 2

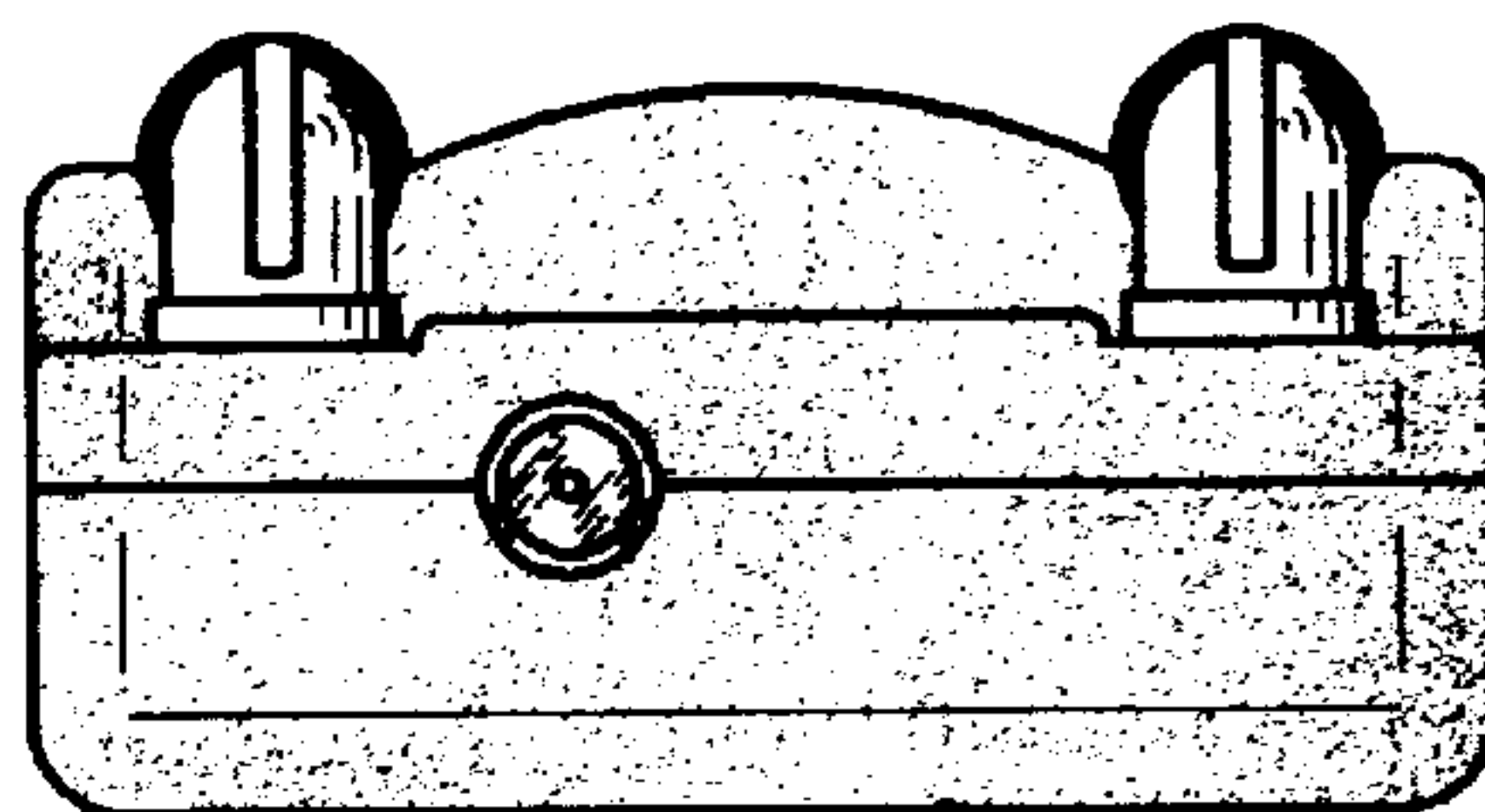


FIG. 3



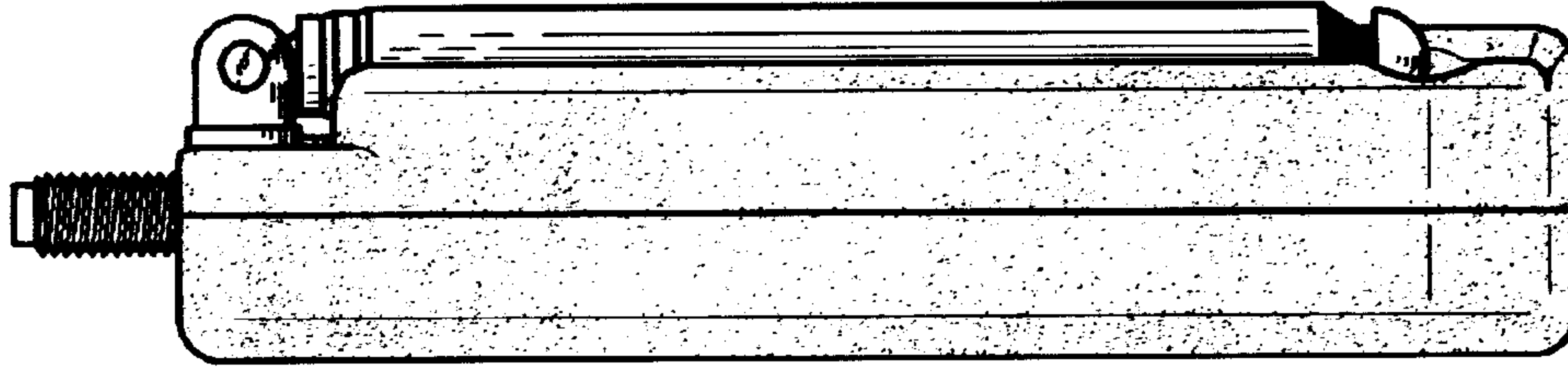


FIG. 4

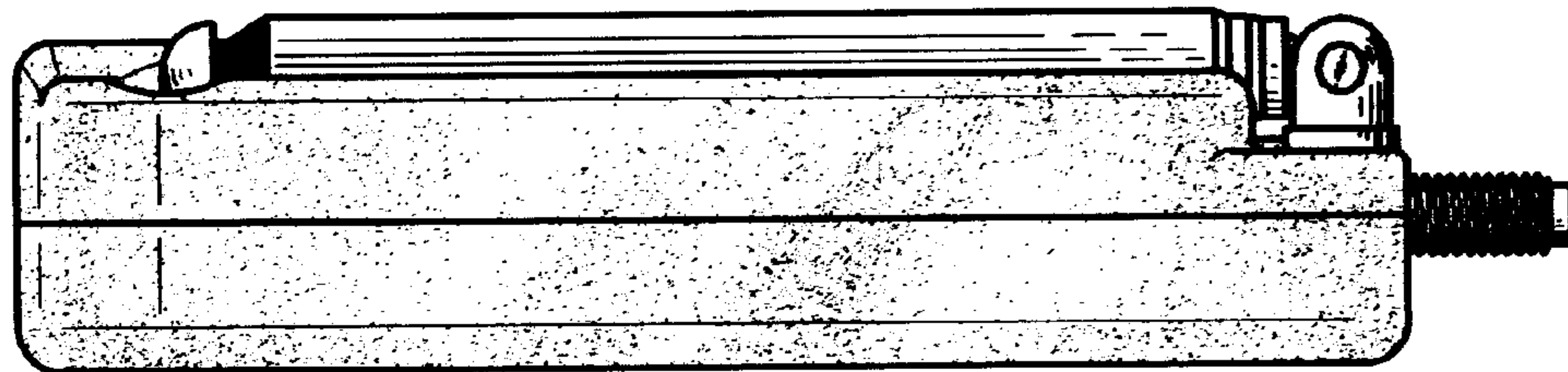


FIG. 5

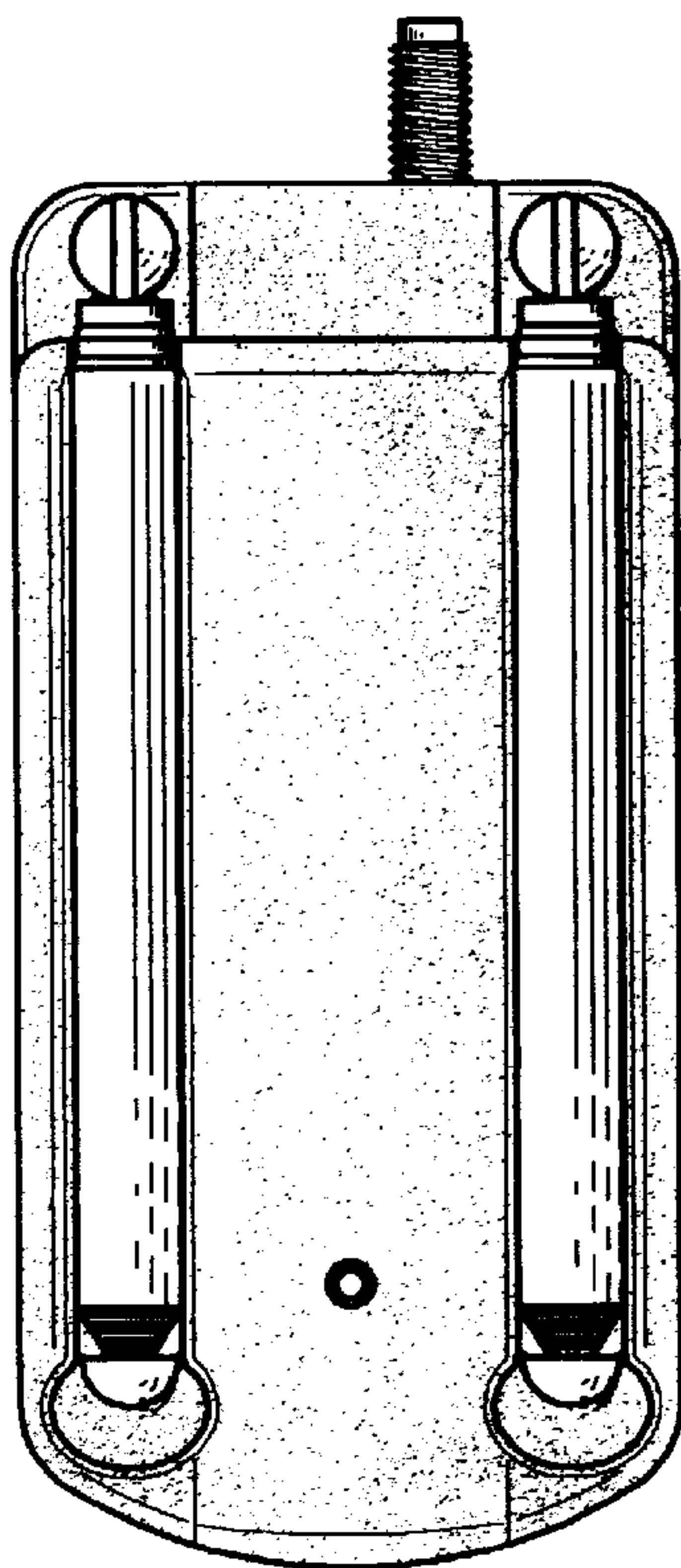


FIG. 6



FIG. 7