



US00D523016S

(12) **United States Design Patent**  
**Goto**

(10) **Patent No.:** **US D523,016 S**  
(45) **Date of Patent:** **\*\* Jun. 13, 2006**

(54) **DISK CARTRIDGE**

(75) Inventor: **Teiyu Goto**, Tokyo (JP)

(73) Assignee: **Sony Computer Entertainment Inc.**,  
Tokyo (JP)

(\*\*) Term: **14 Years**

(21) Appl. No.: **29/216,837**

(22) Filed: **Nov. 10, 2004**

(30) **Foreign Application Priority Data**

May 10, 2004 (JP) ..... D2004-013748

(51) **LOC (8) Cl.** ..... **14-02**

(52) **U.S. Cl.** ..... **D14/435**

(58) **Field of Classification Search** ..... 360/99.08,  
360/96.5, 98.06, 131-135, 99.04; D14/442,  
D14/478, 479, 480; 206/308.3; 720/720,  
720/726, 738-744; 369/77.11, 77.21, 79,  
369/277, 278, 279, 271.1, 282, 291.1

See application file for complete search history.

(56) **References Cited**

**U.S. PATENT DOCUMENTS**

- 4,470,083 A \* 9/1984 Doering et al. .... 360/128
- 4,802,046 A \* 1/1989 Tanaka et al. .... 360/133
- 4,908,817 A \* 3/1990 Sandell et al. .... 720/743
- 5,040,167 A \* 8/1991 Tanaka et al. .... 720/738
- 5,043,974 A \* 8/1991 Nakagawa ..... 720/726
- 5,051,857 A \* 9/1991 Akiyama ..... 360/133
- 5,268,808 A \* 12/1993 Childers ..... 360/133
- 5,515,358 A \* 5/1996 Goto ..... 720/743
- D374,220 S \* 10/1996 Katayama ..... D14/480
- D375,491 S \* 11/1996 Hata ..... D14/480
- 5,579,297 A \* 11/1996 Childers et al. .... 720/735
- 5,638,240 A \* 6/1997 Akiyama et al. .... 360/133
- D397,099 S \* 8/1998 Katayama ..... D14/480
- 5,793,742 A \* 8/1998 Sandell et al. .... 720/734
- 5,917,685 A \* 6/1999 Kikuchi et al. .... 360/133
- D412,165 S 7/1999 Niitsu
- 6,125,012 A \* 9/2000 Miyazaki et al. .... 360/133
- 6,166,883 A \* 12/2000 Miyata et al. .... 360/133

- 6,236,541 B1 \* 5/2001 Takahashi ..... 360/133
- 6,301,078 B1 \* 10/2001 Ikebe et al. .... 360/133
- 6,327,117 B1 \* 12/2001 Meguro ..... 360/133
- 6,459,545 B1 \* 10/2002 Graves et al. .... 360/133
- 6,504,679 B1 \* 1/2003 Ohta ..... 360/133
- D473,874 S 4/2003 Taniguchi
- D473,875 S 4/2003 Taniguchi
- D474,184 S 5/2003 Taniguchi
- D474,777 S 5/2003 Niitsu
- D475,059 S 5/2003 Niitsu
- 6,618,351 B1 \* 9/2003 Takahashi et al. .... 720/743
- D487,095 S 2/2004 Oka
- 2002/0006107 A1 \* 1/2002 Kikuchi ..... 369/291
- 2003/0112558 A1 \* 6/2003 Niitsuma ..... 360/133

**FOREIGN PATENT DOCUMENTS**

GB 2069484 1/1998

\* cited by examiner

*Primary Examiner*—Alan P. Douglas  
*Assistant Examiner*—Susan Moon Lee  
(74) *Attorney, Agent, or Firm*—Rader, Fishman & Grauer  
PLLC

(57) **CLAIM**

The ornamental design for a disk cartridge, as shown and described.

**DESCRIPTION**

FIG. 1 is a rear elevational view of a disk cartridge showing my new design, showing section lines III—III, and III'—III' and;

FIG. 2 is a right side elevational view thereof;

FIG. 3 is a partially enlarged view, taken between the lines III—III and III'—III' of FIG. 1, wherein the dash-dot broken lines define, but are not included in, the boundaries of the claimed design; and,

FIG. 4 is a perspective view thereof.

Portions of the figures that are shown as broken lines are for illustrative purpose only and form no part of the claimed design.

**1 Claim, 4 Drawing Sheets**

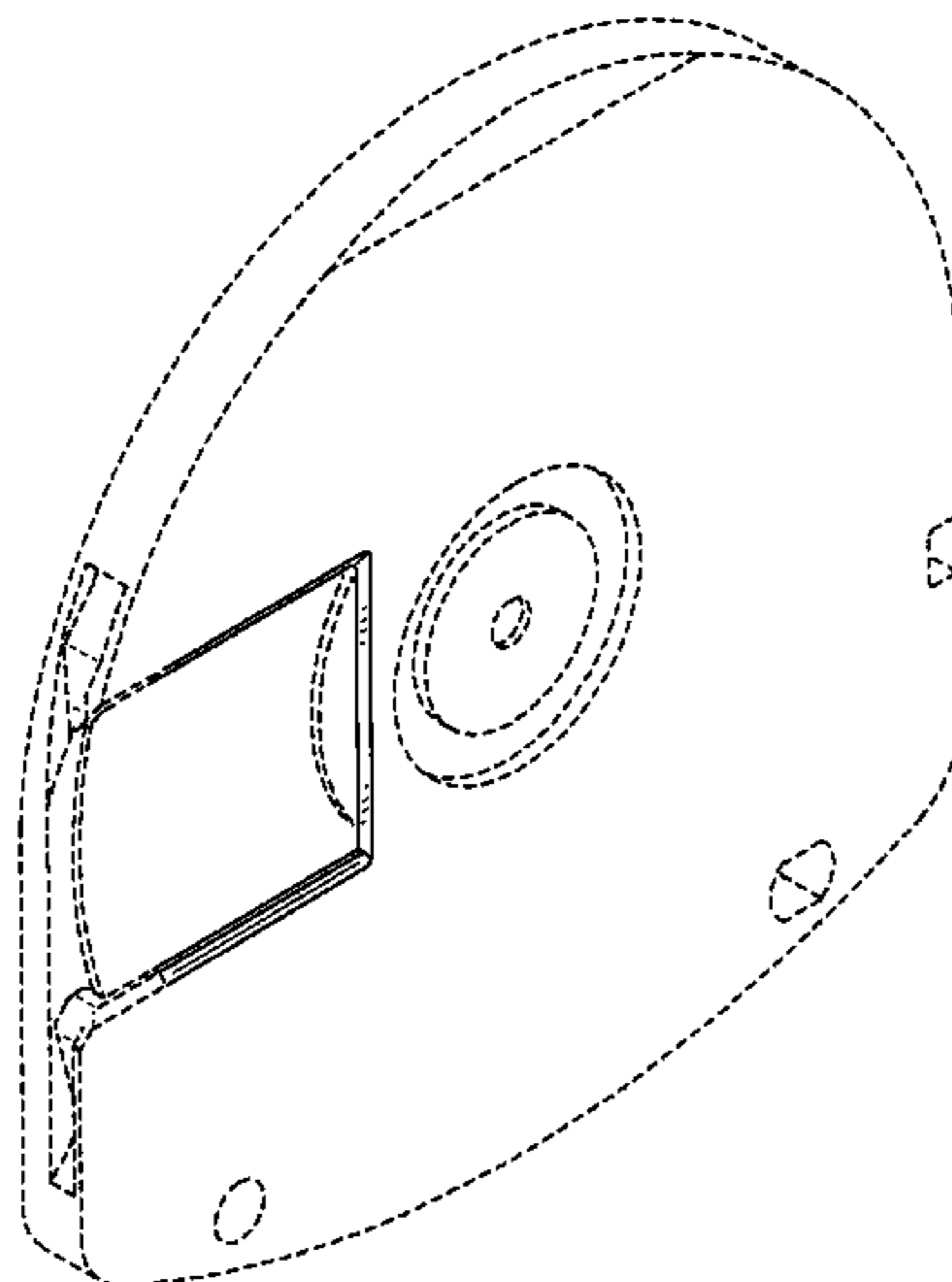
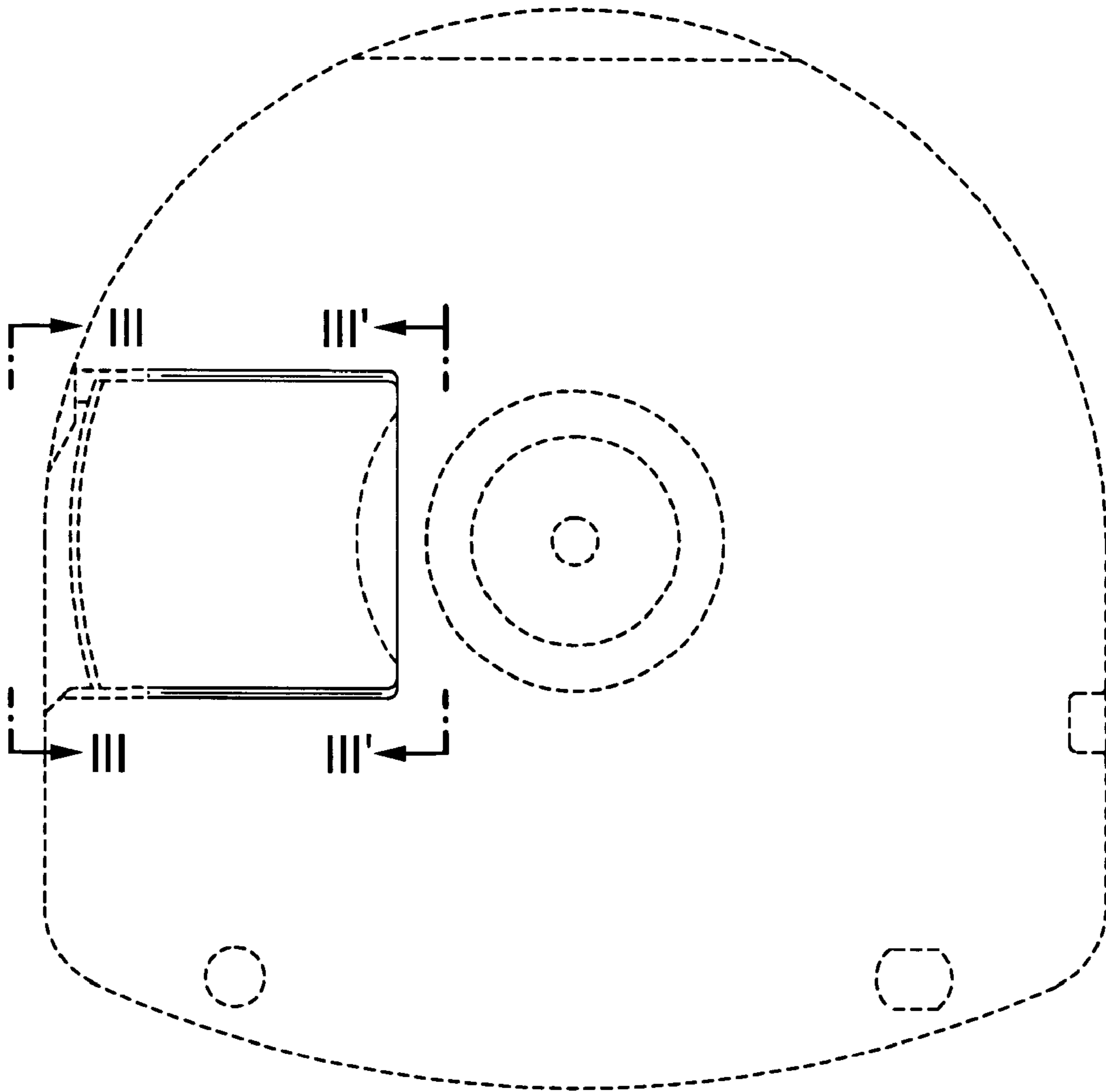


FIG.1



# FIG.2



FIG.3

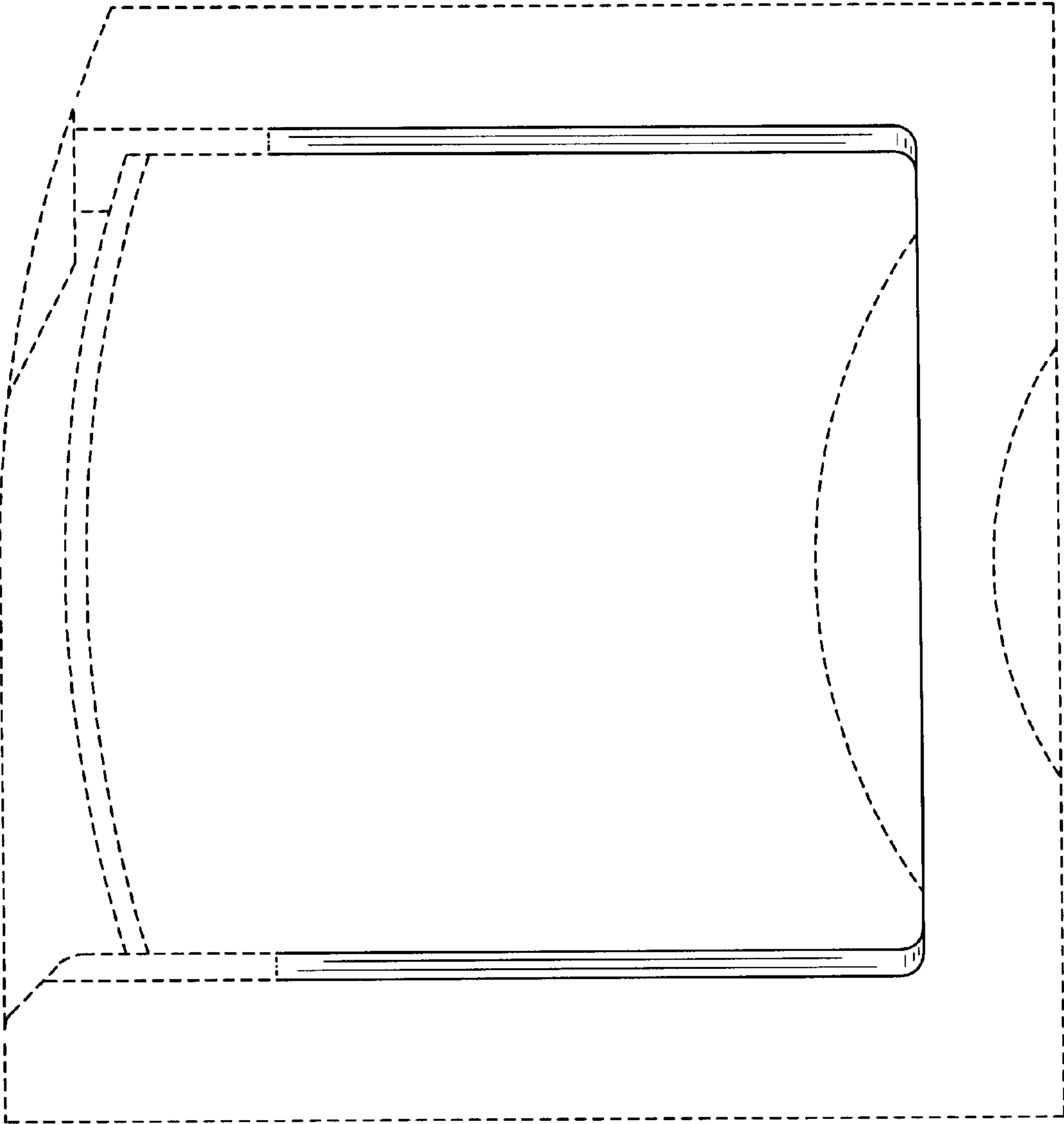


Fig. 4

