



US00D523012S

(12) **United States Design Patent**
O'Neil et al.

(10) **Patent No.:** **US D523,012 S**

(45) **Date of Patent:** **** Jun. 13, 2006**

(54) **BODY SHAPE FOR KEYBOARD**

6,288,706 B1 * 9/2001 Leman 345/168
D452,502 S * 12/2001 Summit et al. D14/392

(75) Inventors: **Daniel G. O'Neil**, Seattle, WA (US);
Young Soo Kim, Bellevue, WA (US);
Jacob Fleisher, Seattle, WA (US)

* cited by examiner

Primary Examiner—Freda S. Nunn

(73) Assignee: **Microsoft Corporation**, Redmond, WA
(US)

(74) *Attorney, Agent, or Firm*—Banner & Witcoff, Ltd.

(**) Term: **14 Years**

(57) **CLAIM**

The ornament design for a body shape for keyboard, as shown and described.

(21) Appl. No.: **29/233,840**

DESCRIPTION

(22) Filed: **Jul. 11, 2005**

(51) **LOC (8) Cl.** **14-02**

(52) **U.S. Cl.** **D14/396; D14/457**

(58) **Field of Classification Search** D14/391–398,
D14/457; D18/1, 2, 7, 11; 178/17 A, 17 C;
200/5 A, 5 R, 6 A, 6 R; 235/145 A, 145 R;
341/22, 23; 345/160, 161, 167, 168; 400/485–489,
400/492, 472

See application file for complete search history.

FIG. 1 is a perspective view of a body shape for keyboard showing our new design;

FIG. 2 is a top view thereof;

FIG. 3 is a left side view thereof;

FIG. 4 is a right side view thereof;

FIG. 5 is a front view thereof;

FIG. 6 is a rear view thereof; and,

FIG. 7 is a perspective view of the keyboard of FIGS. 1–6 without the presence of certain disclaimed subject matter;

FIG. 8 is a top view thereof;

FIG. 9 is a left side view thereof;

FIG. 10 is a right side view thereof;

FIG. 11 is a front view thereof; and,

FIG. 12 is a rear view thereof.

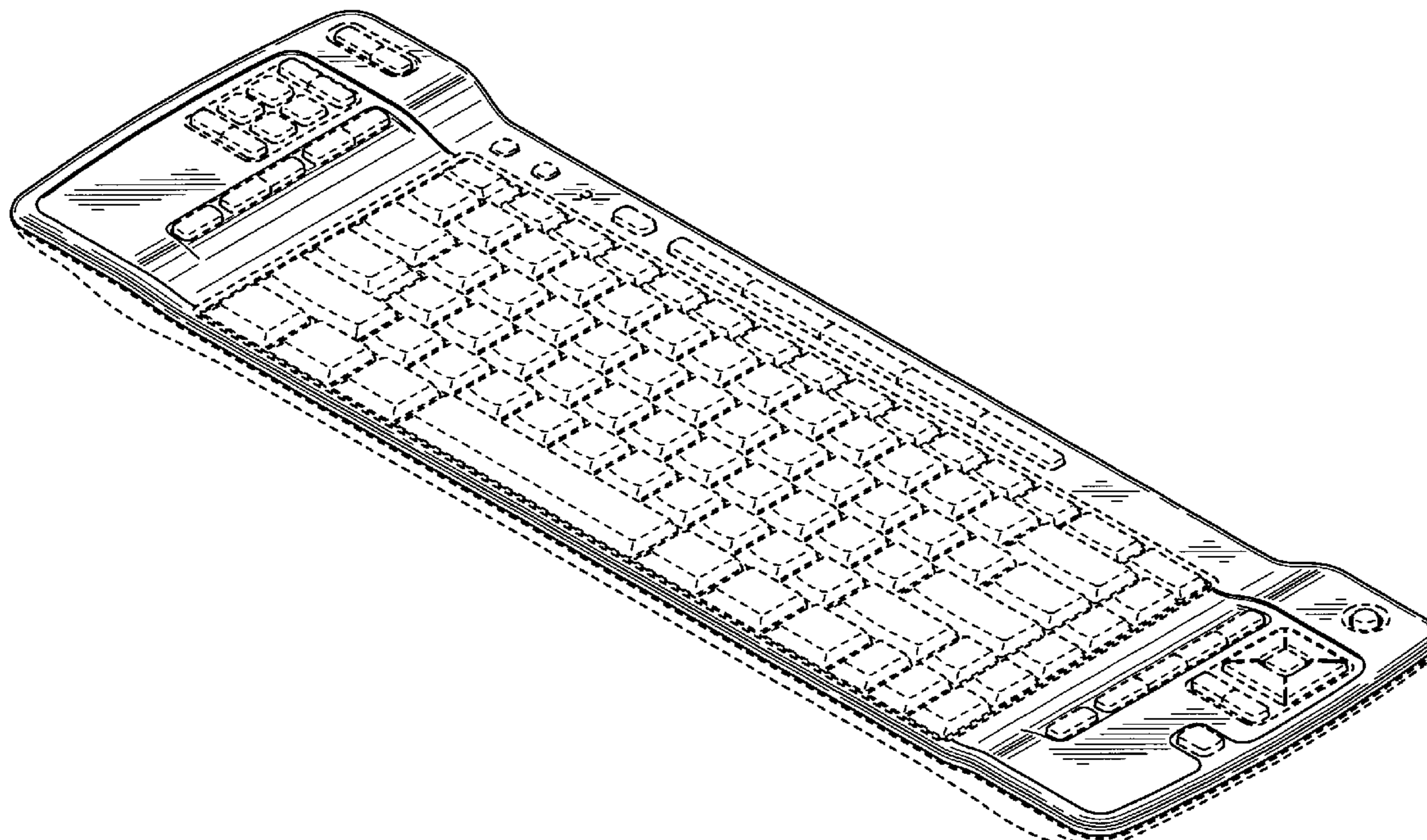
The broken line showing of the lower portion of the keyboard and other regions is for illustrative purposes only and forms no part of the claimed design.

(56) **References Cited**

U.S. PATENT DOCUMENTS

5,584,588 A * 12/1996 Harbaugh 400/486
D385,551 S * 10/1997 Viletto et al. D14/392
D402,643 S * 12/1998 Grassel D14/457
D407,699 S * 4/1999 Fan D14/398
5,957,595 A * 9/1999 Chen 400/472
5,995,025 A * 11/1999 Sternglass et al. 341/22
6,179,496 B1 * 1/2001 Chou 400/472

1 Claim, 8 Drawing Sheets



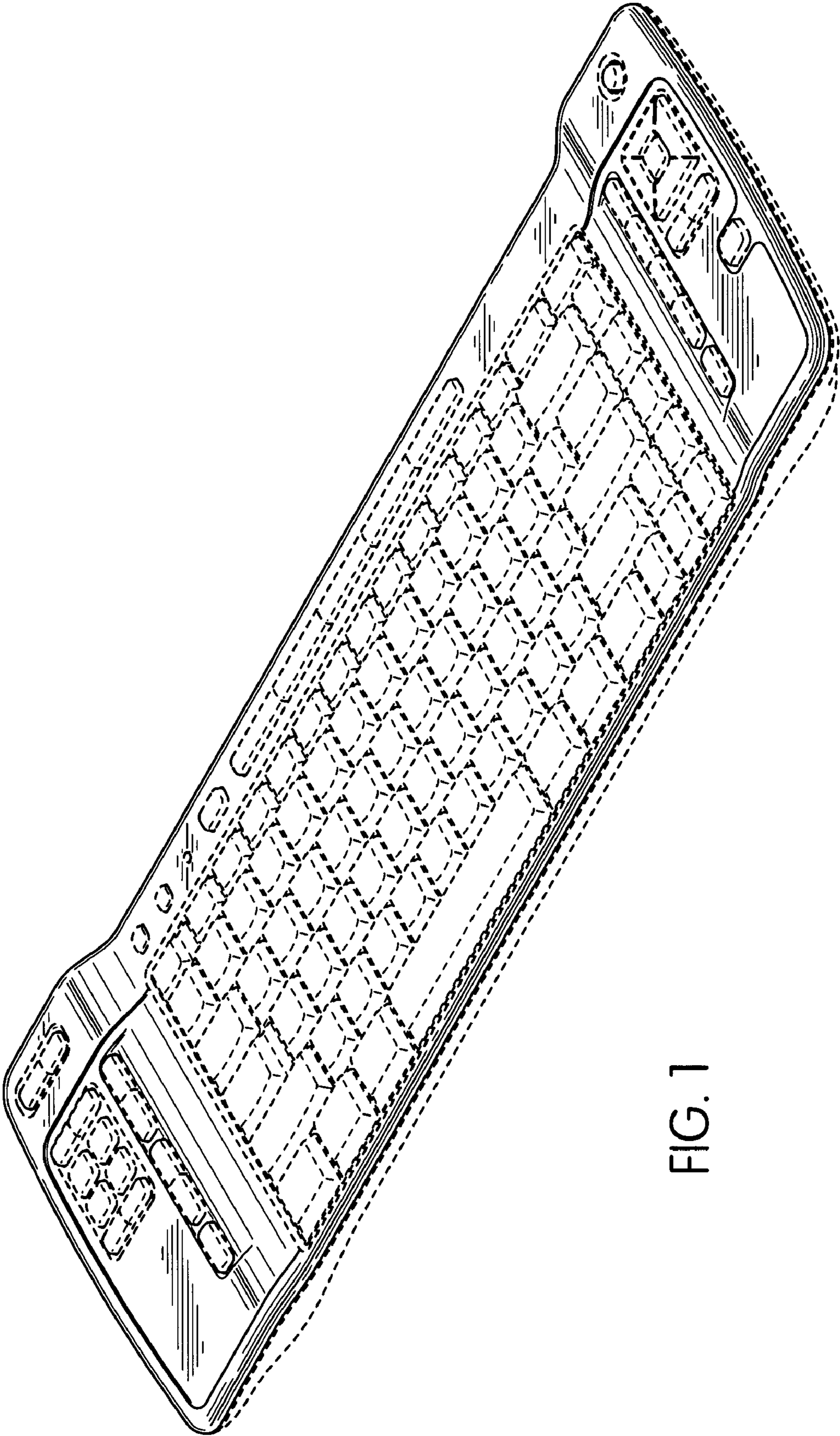


FIG. 1

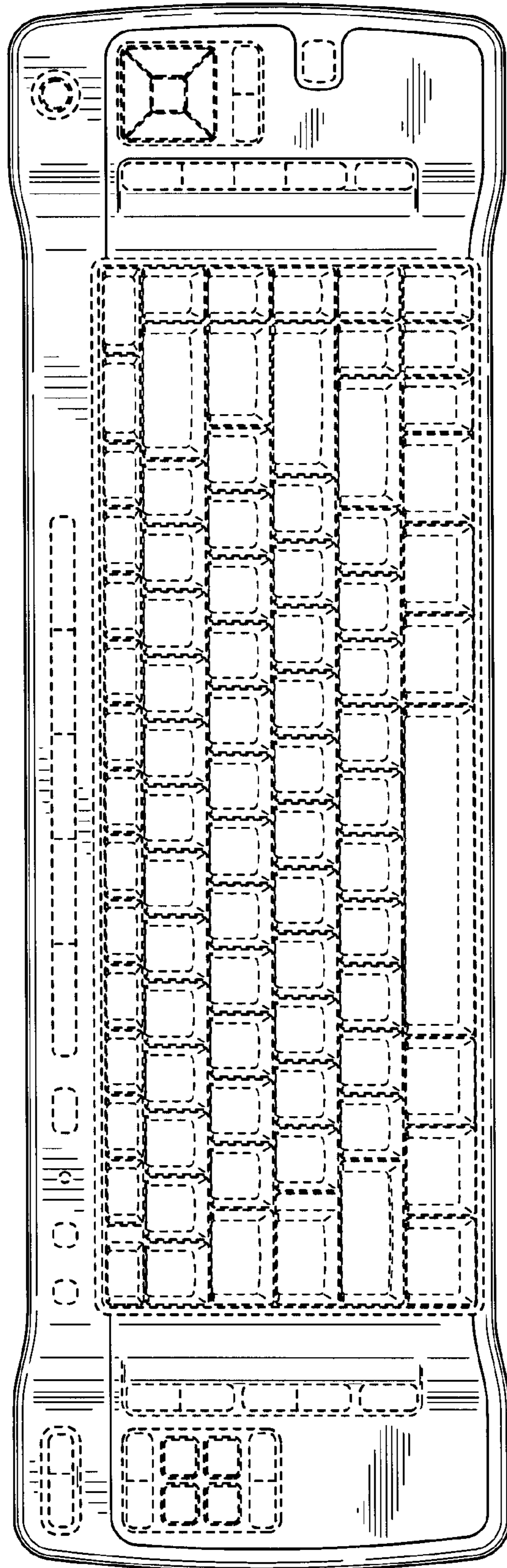


FIG. 2

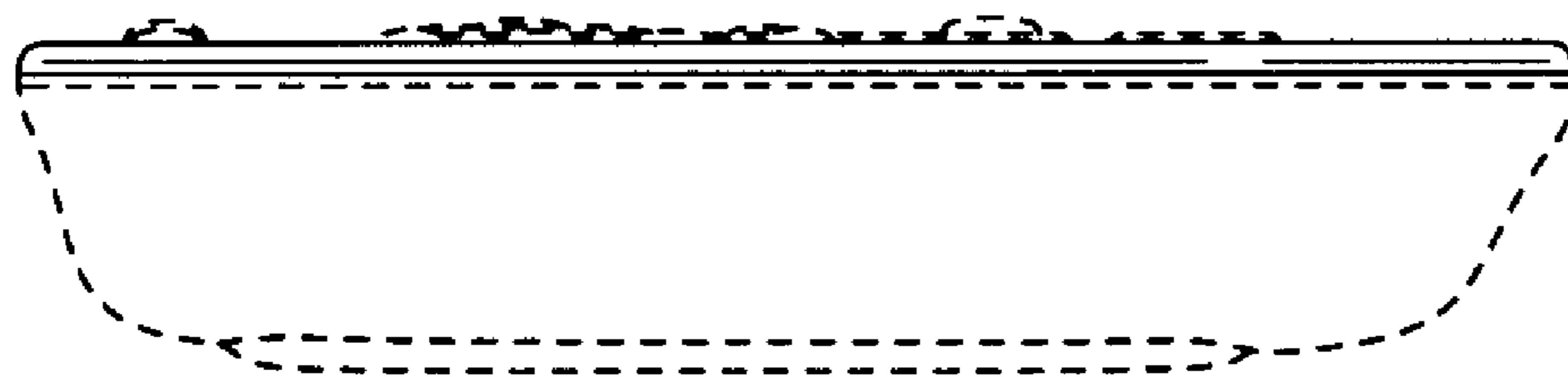


FIG. 3

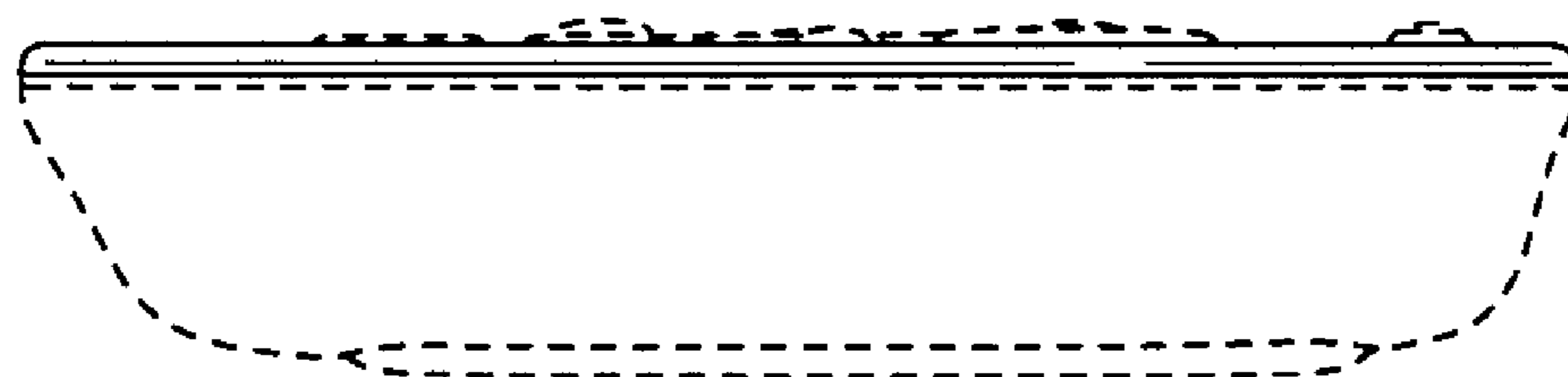


FIG. 4

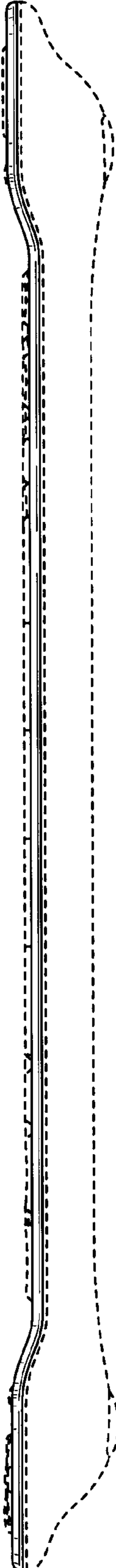


FIG. 5

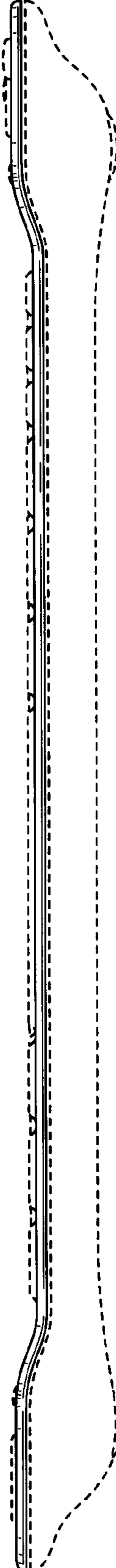


FIG. 6

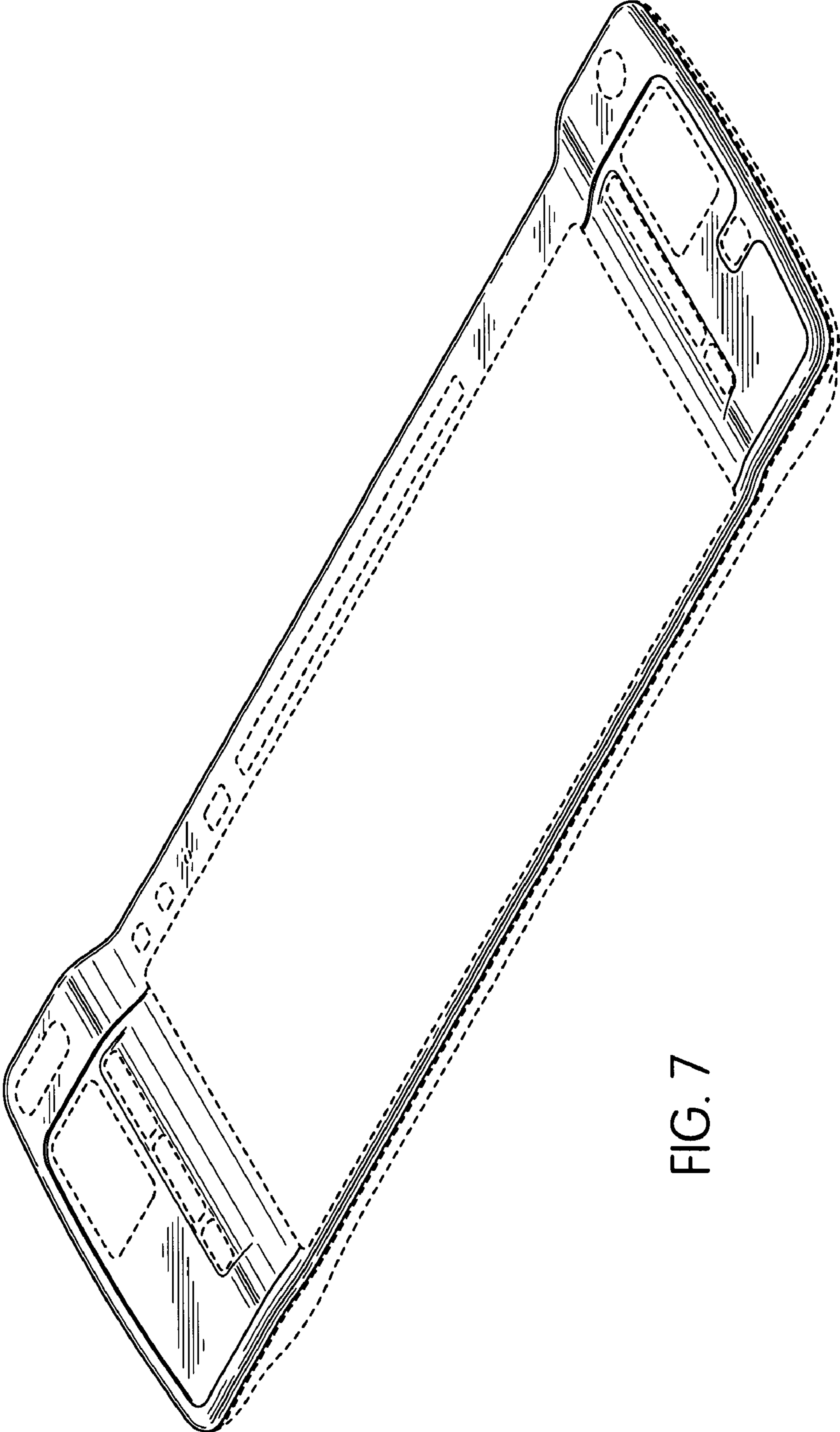


FIG. 7

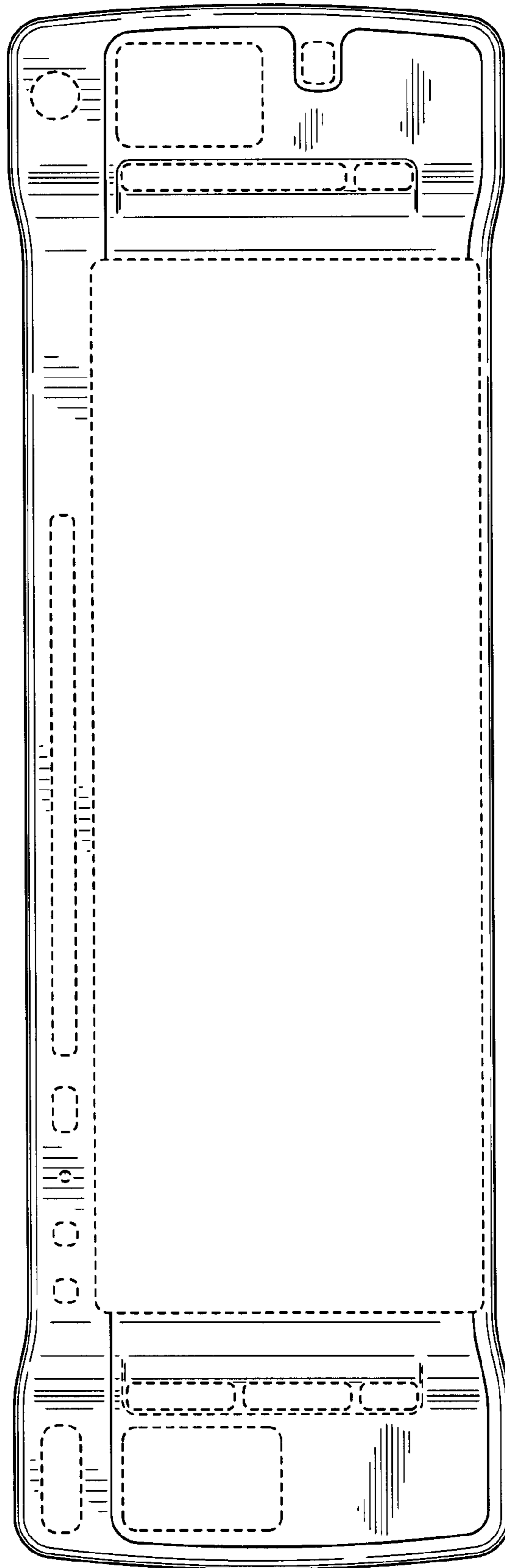


FIG. 8

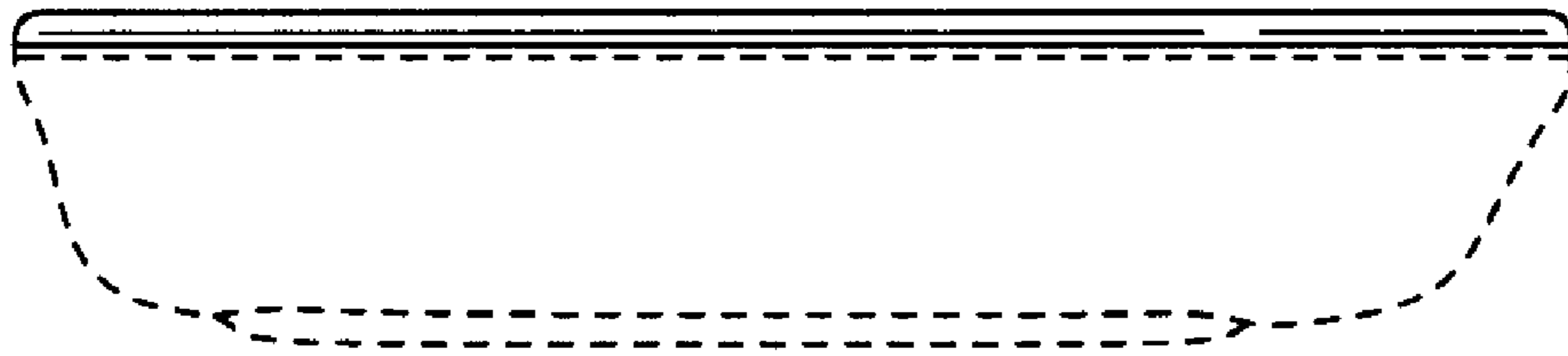


FIG. 9

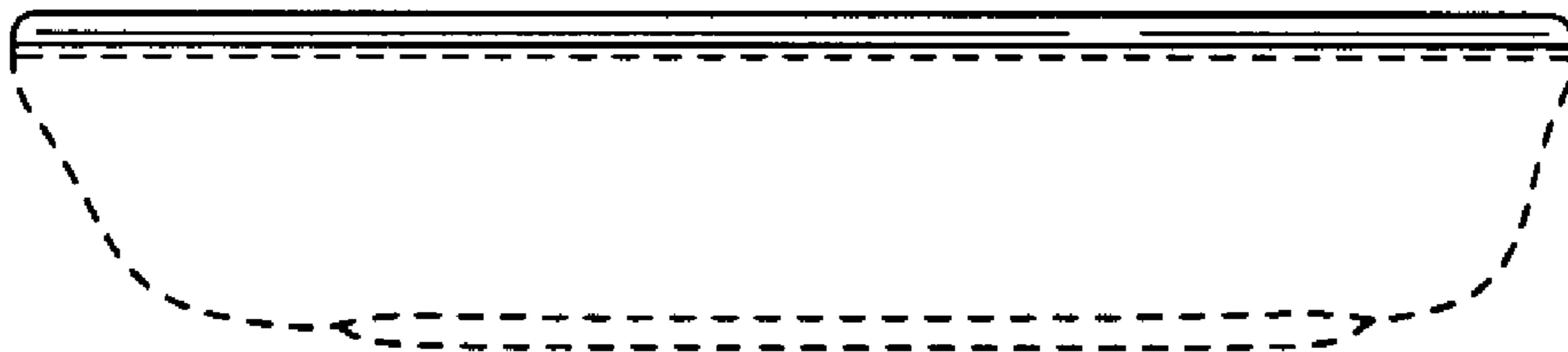


FIG. 10

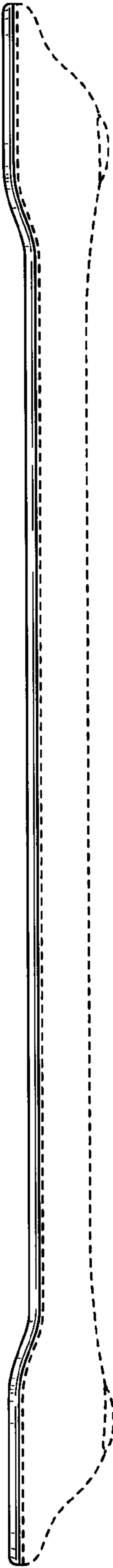


FIG. 11

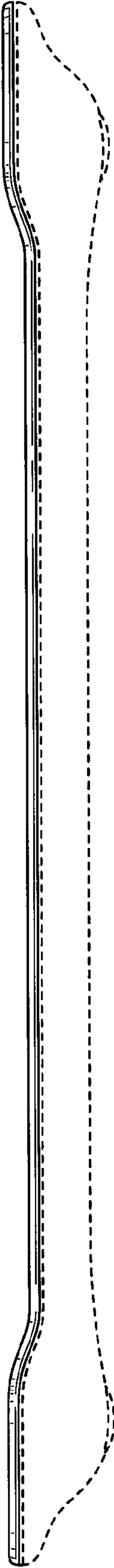


FIG. 12