

US00D523011S

(12) **United States Design Patent**
Jones et al.

(10) **Patent No.:** **US D523,011 S**
(45) **Date of Patent:** **** Jun. 13, 2006**

(54) **HAND-HELD COMPUTING/CONTROLLER DEVICE**

(75) Inventors: **Robert Jones**, McKinney, TX (US);
Patrick Cullen, Dallas, TX (US)

(73) Assignee: **Advanced Neuromodulation Systems, Inc.**, Plano, TX (US)

(**) Term: **14 Years**

(21) Appl. No.: **29/199,681**

(22) Filed: **Feb. 18, 2004**

(51) **LOC (8) Cl.** **14-02**

(52) **U.S. Cl.** **D14/388**

(58) **Field of Classification Search** D14/341–346,
D14/374, 399; D18/1, 2, 7, 11; 235/145 A,
235/145 R, 375; 341/22, 23; 345/156, 168,
345/169, 172, 173; 349/12; 361/680–686
See application file for complete search history.

(56) **References Cited**

U.S. PATENT DOCUMENTS

D312,628 S * 12/1990 Yokoi et al. D14/346
D330,543 S * 10/1992 Tsuchida et al. D14/346

D330,889 S * 11/1992 Ishida D14/399
5,218,188 A * 6/1993 Hanson 235/375
D433,017 S * 10/2000 Martinez D14/346
D453,158 S * 1/2002 Chen D14/374
D465,485 S * 11/2002 Wu D14/341

* cited by examiner

Primary Examiner—Freda S. Nunn

(74) *Attorney, Agent, or Firm*—Peter R. Lando

(57) **CLAIM**

The ornamental design for a hand-held computing/controller device, as shown and described.

DESCRIPTION

FIG. 1 is a perspective view illustrating a hand-held computing/controller device in accordance with the present invention;

FIGS. 2 and 3 are top and bottom views respectively thereof;

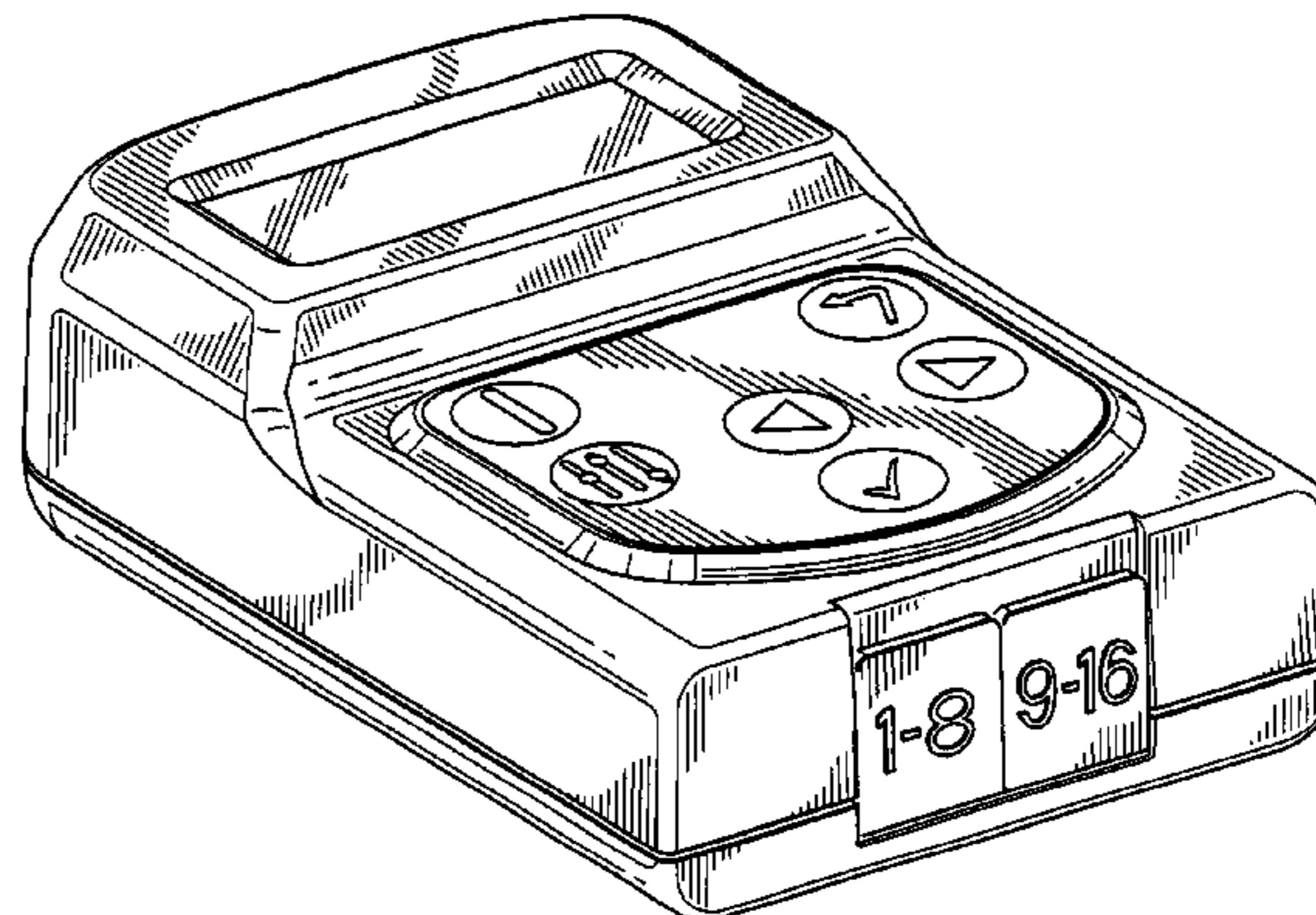
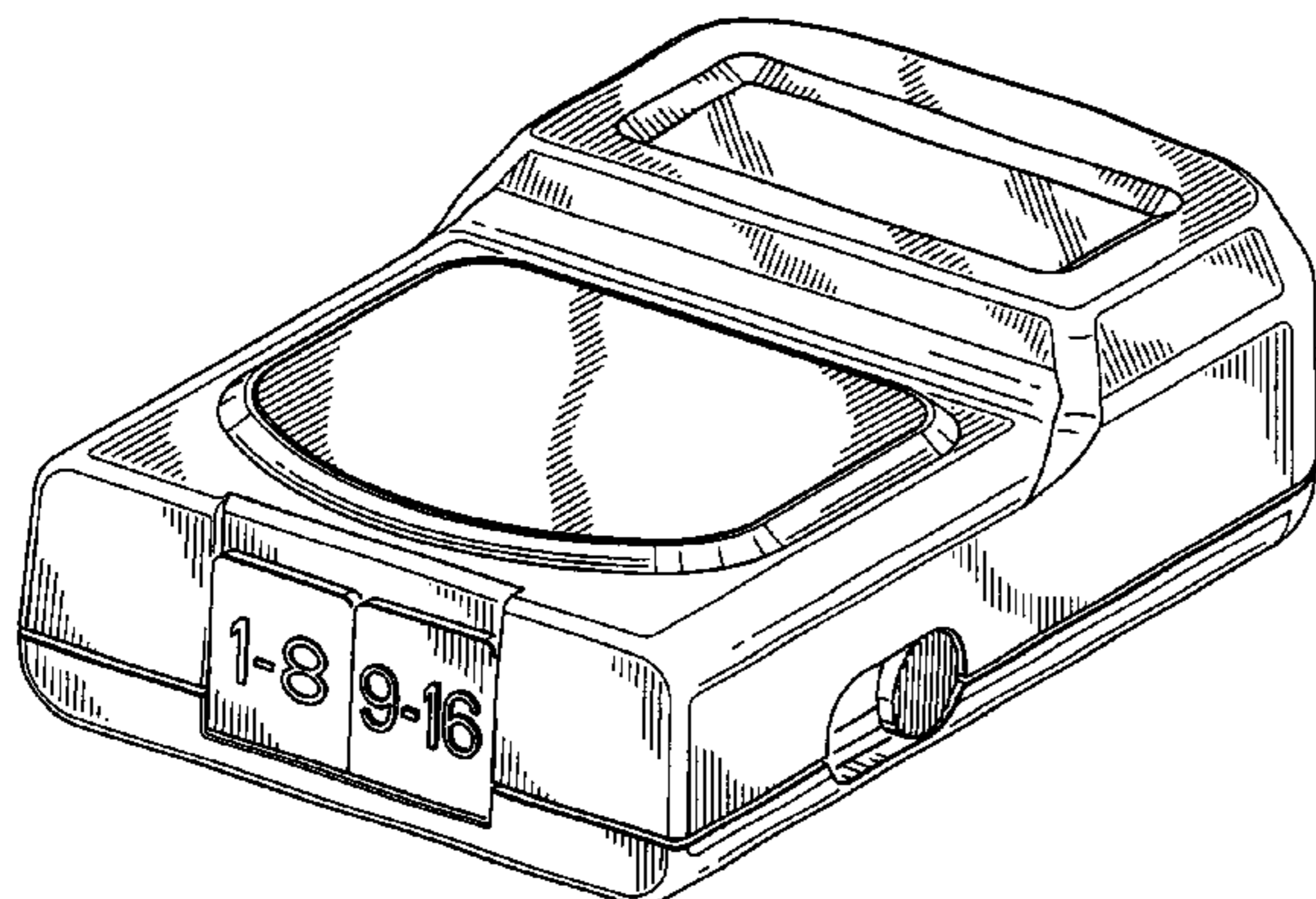
FIGS. 4 and 5 are side views respectively thereof;

FIGS. 6 and 7 are end views respectively thereof;

FIGS. 8, 9 and 10 illustrate perspective, top and end views respectively of another embodiment thereof; and,

FIG. 11 is a perspective view of another embodiment thereof.

1 Claim, 4 Drawing Sheets



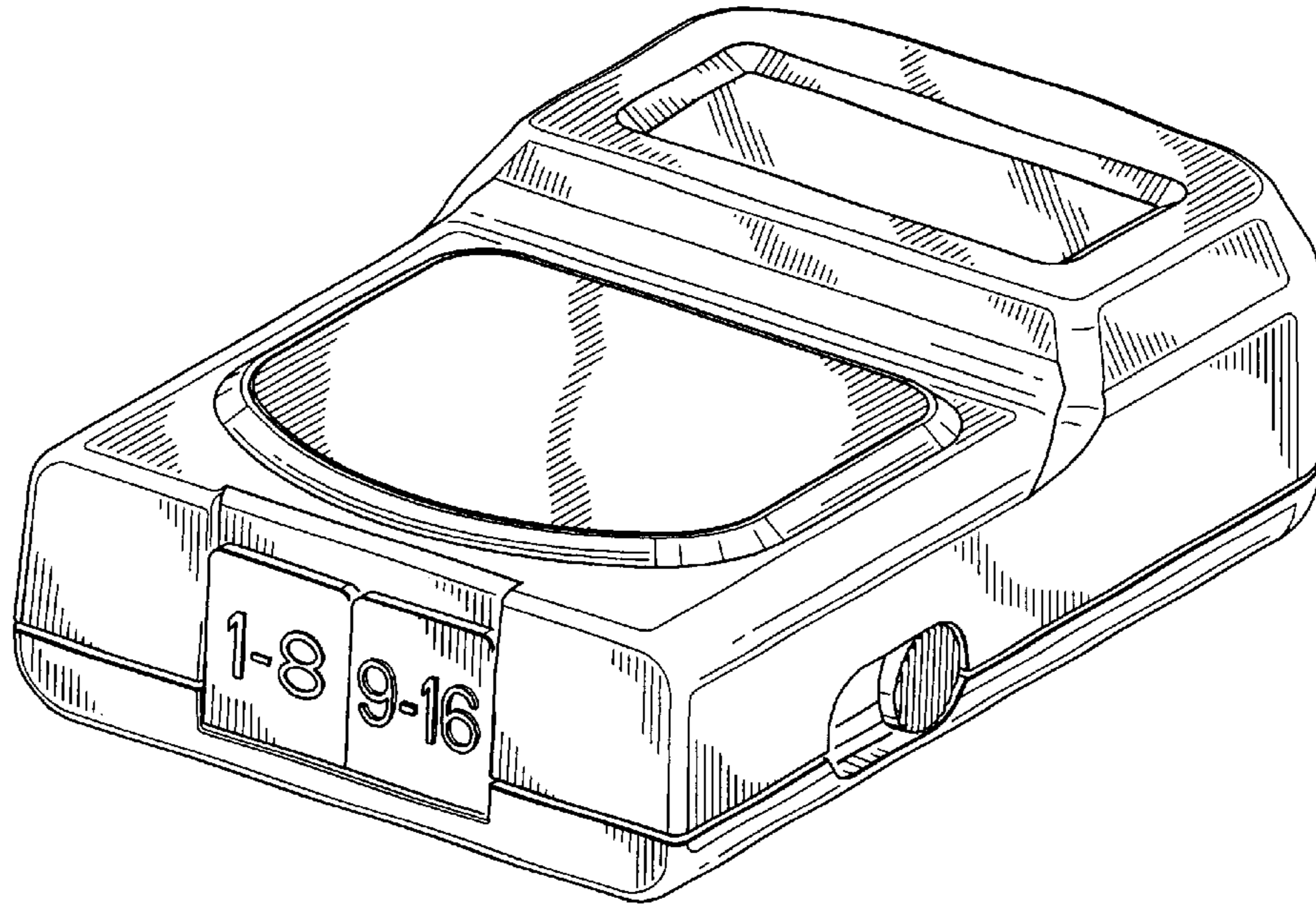


FIG. 1

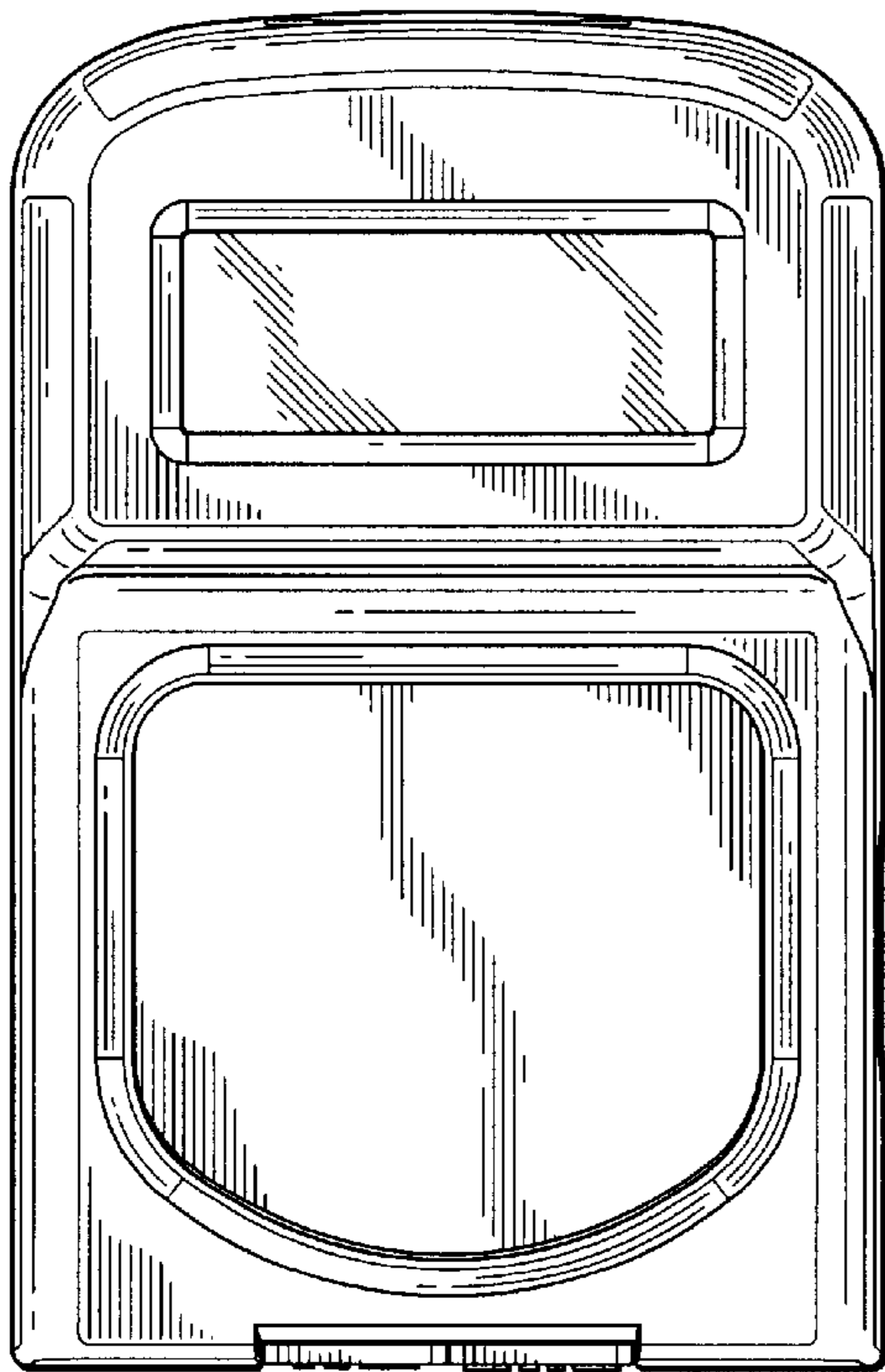


FIG. 2

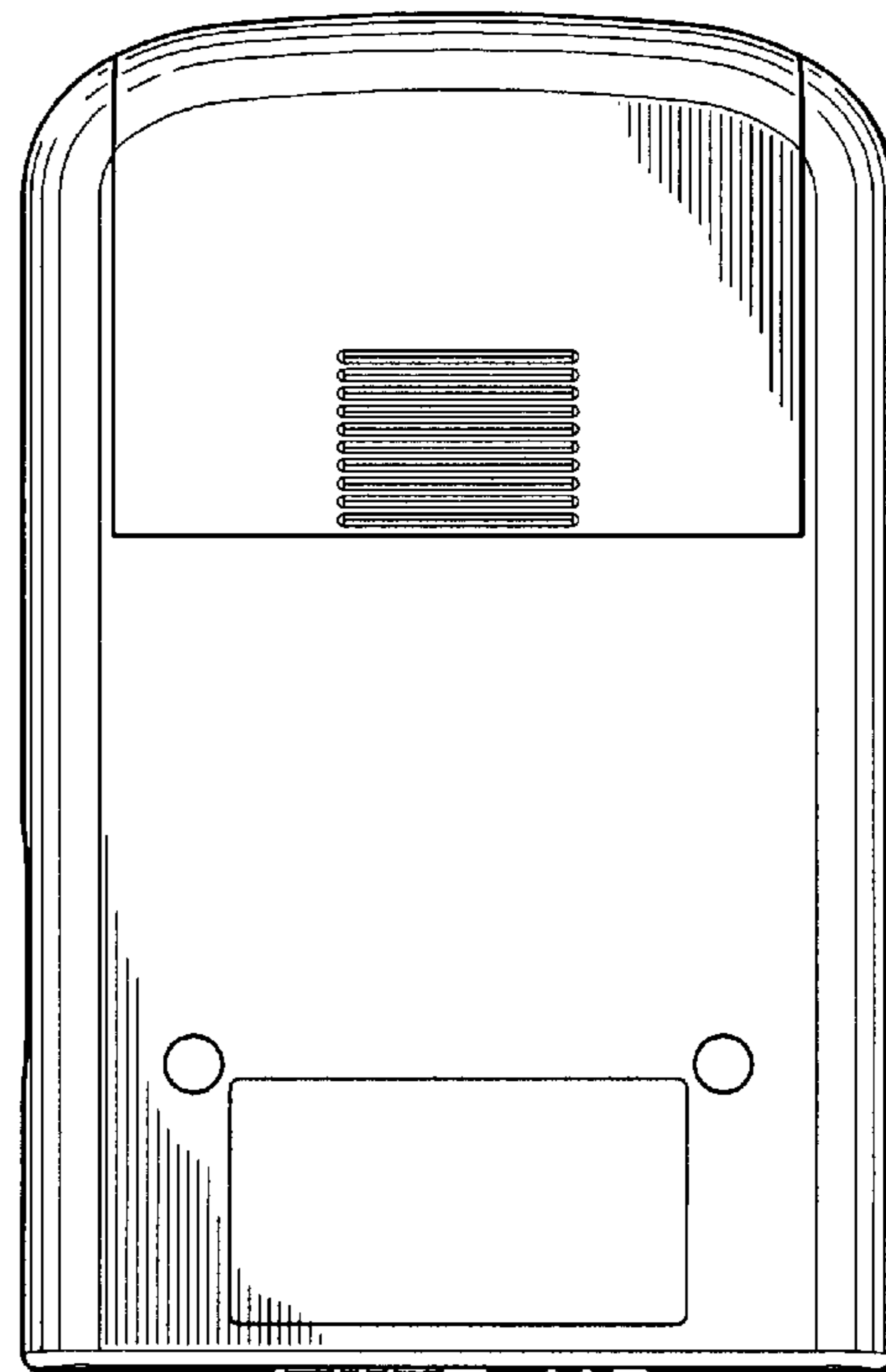


FIG. 3

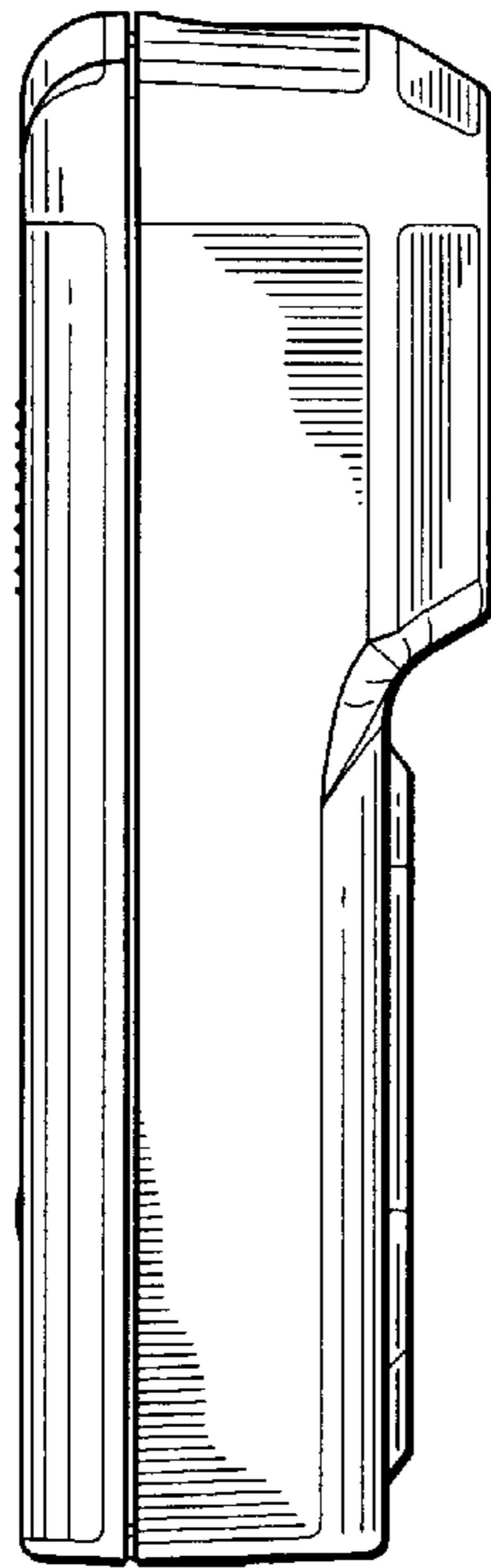


FIG. 4

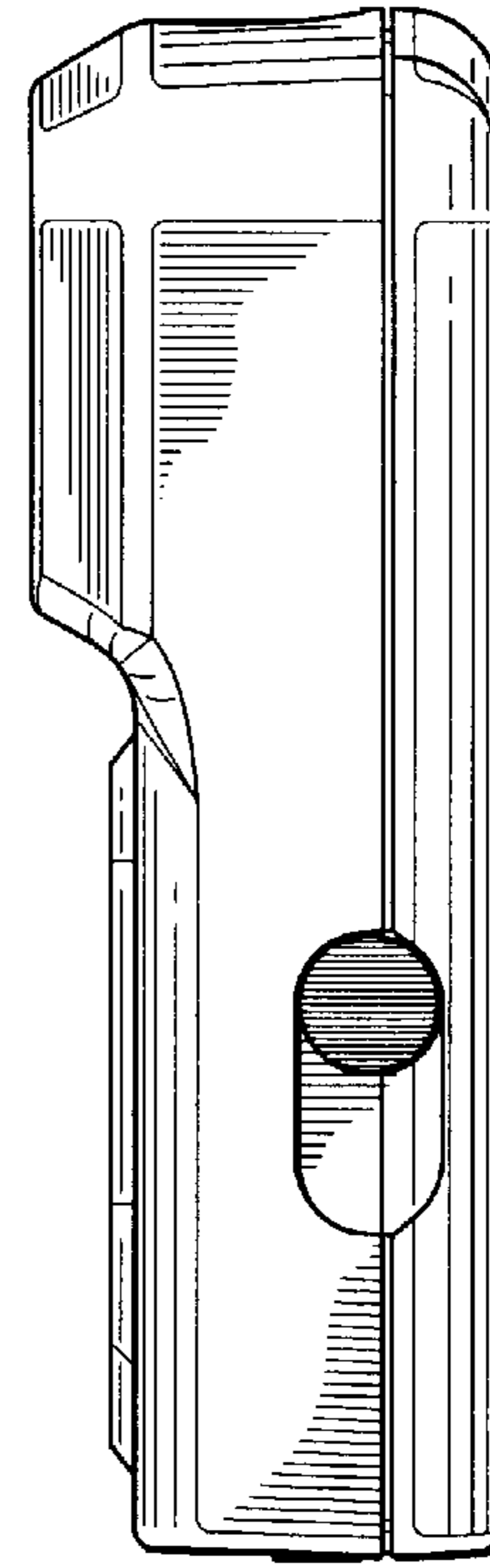


FIG. 5

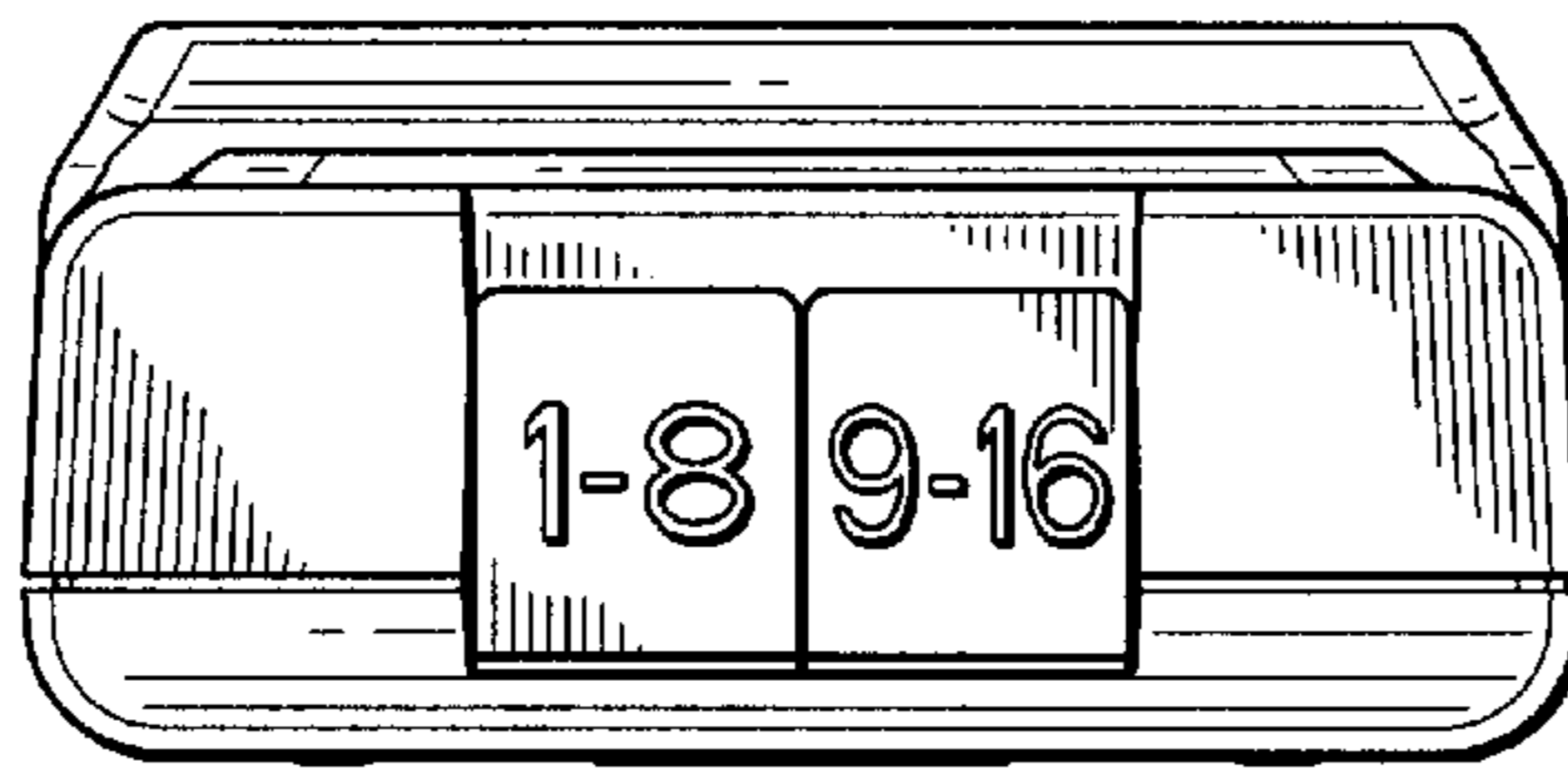


FIG. 6

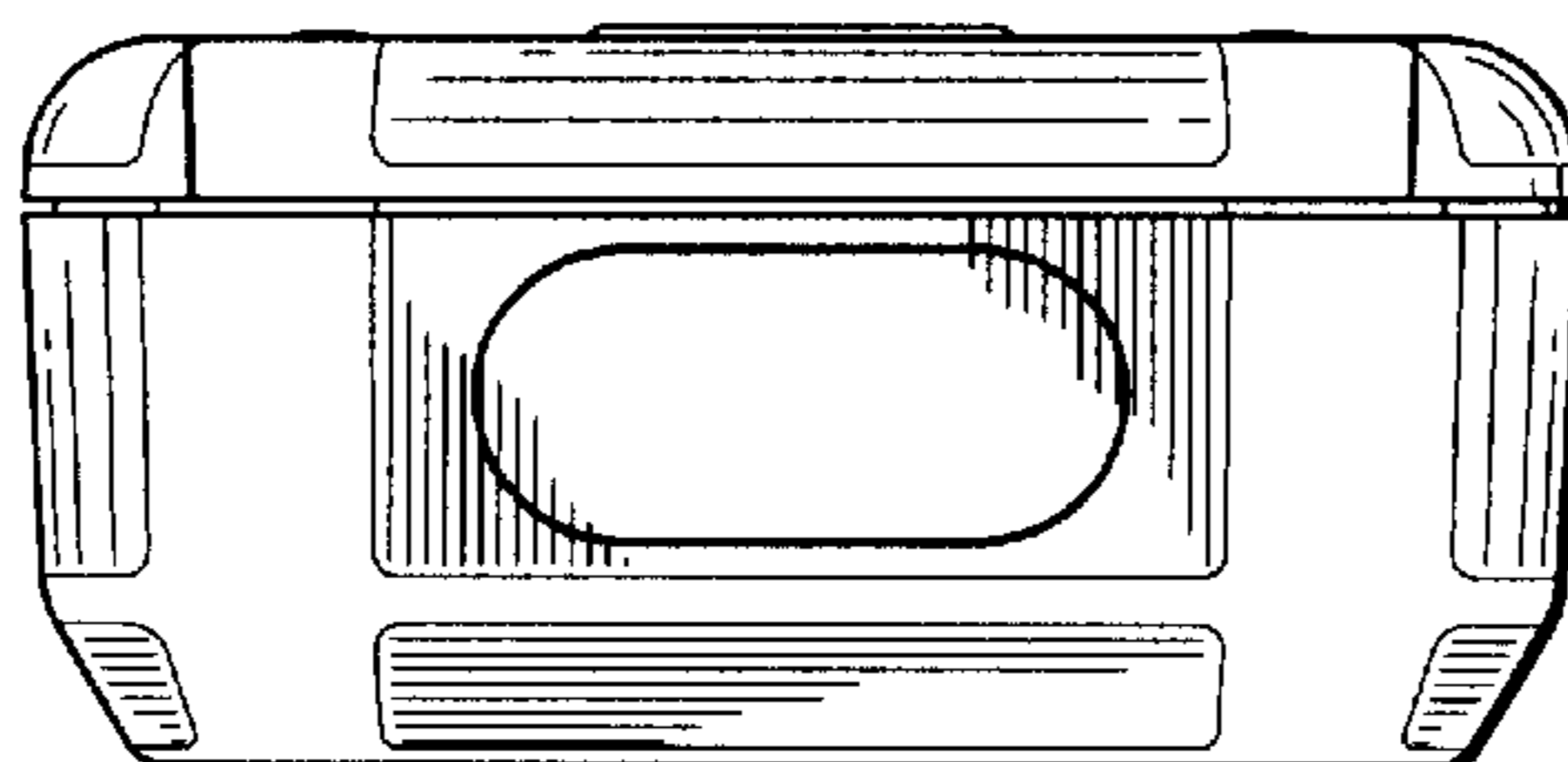


FIG. 7

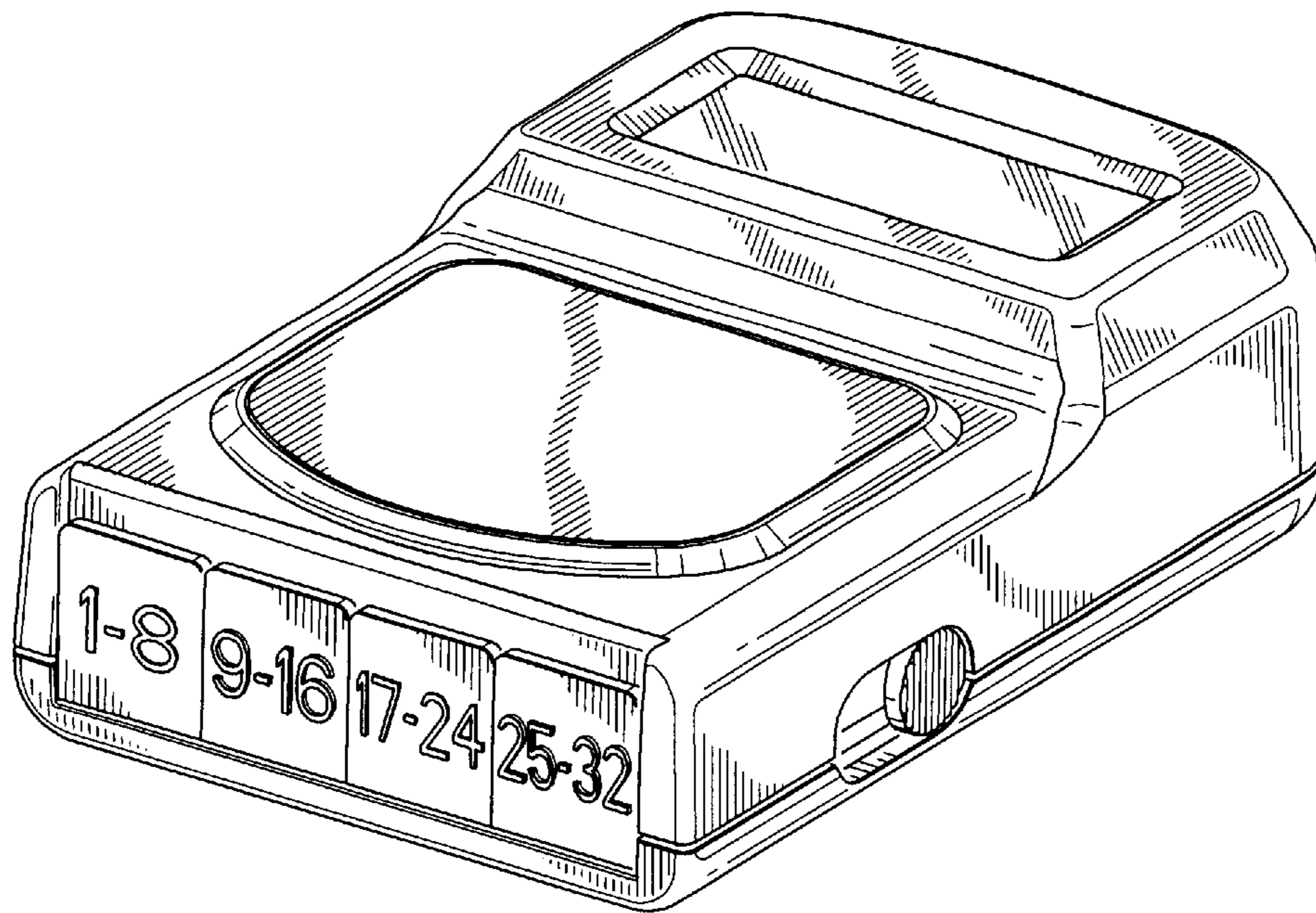


FIG. 8

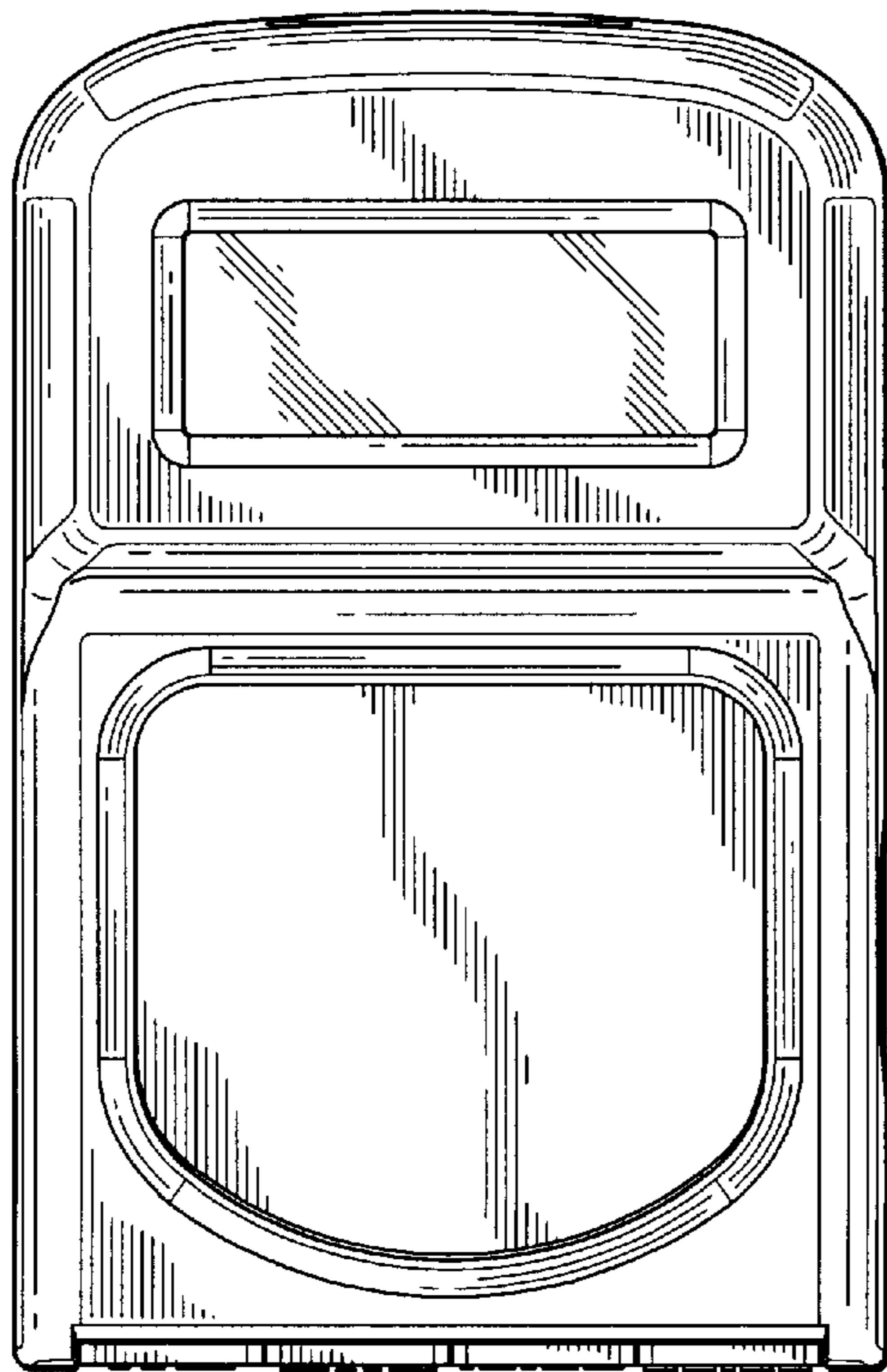


FIG. 9

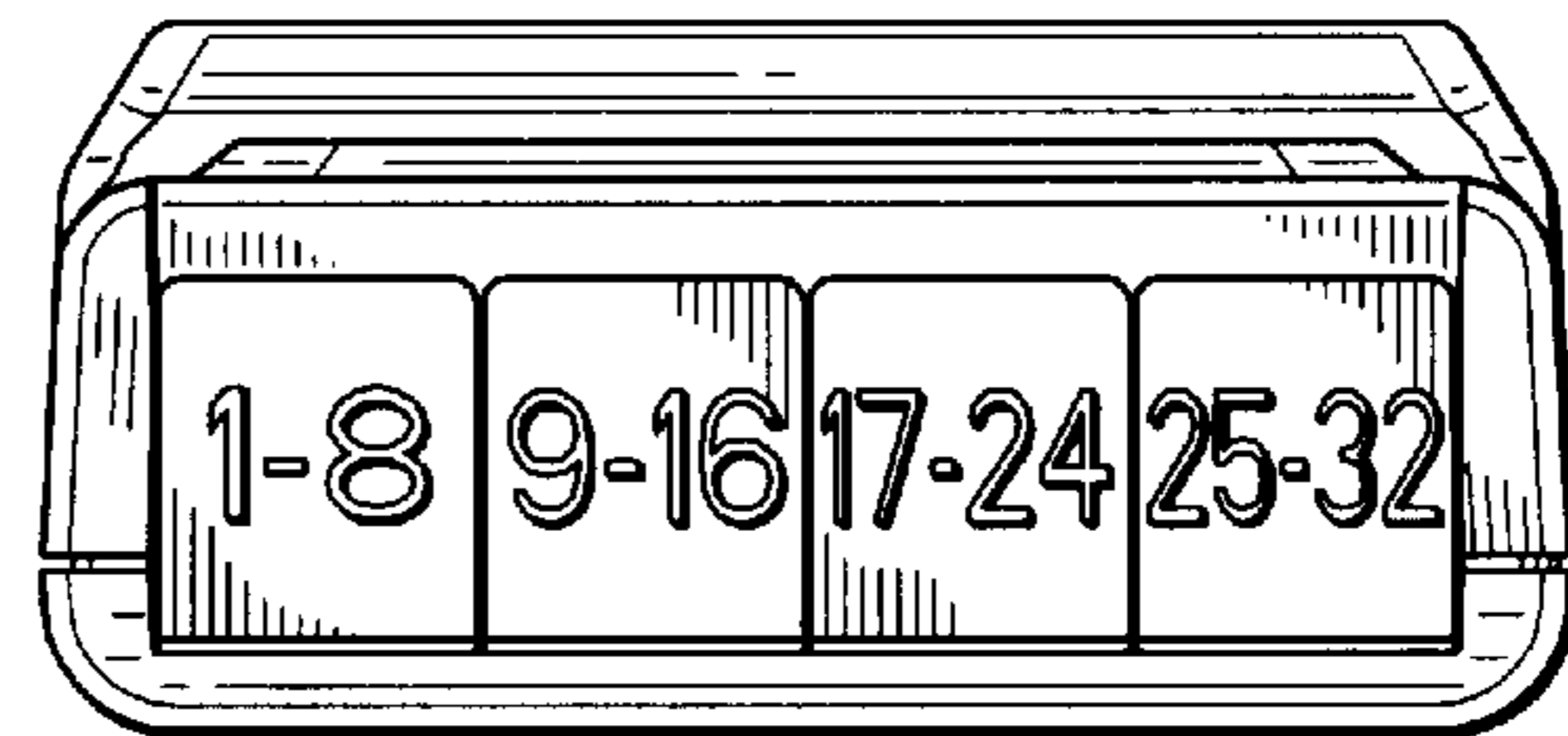


FIG. 10

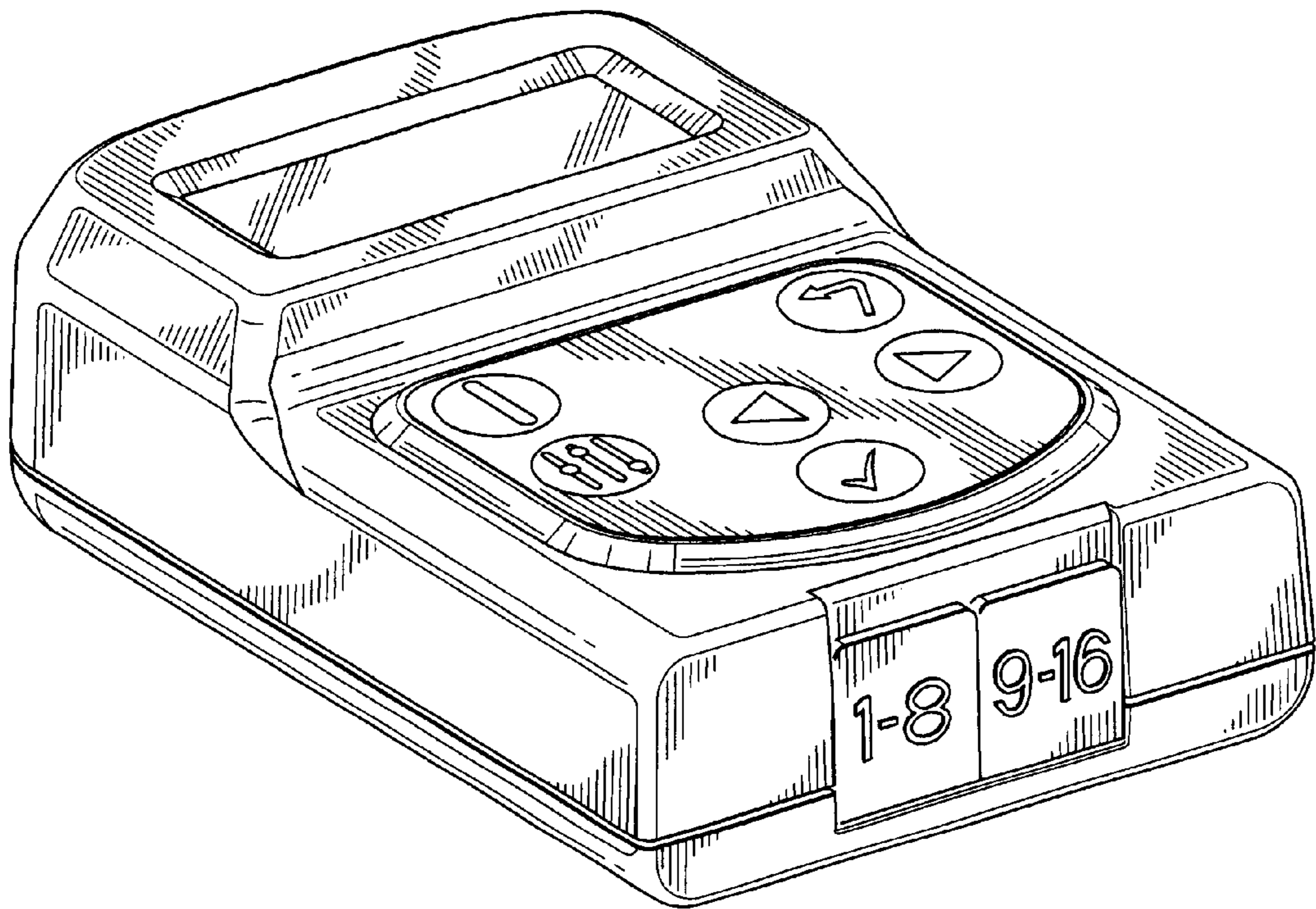


FIG. 11