

US00D523010S

(12) **United States Design Patent**
Paek et al.

(10) **Patent No.:** **US D523,010 S**

(45) **Date of Patent:** **** Jun. 13, 2006**

(54) **NOTEBOOK COMPUTER**

(75) Inventors: **Seung-Hyun Paek**, Seoul (KR);
Myung-Jung Kim, Seoul (KR)

(73) Assignee: **Samsung Electronics Co., Ltd.**,
Kyunggi-do (KR)

(**) Term: **14 Years**

(21) Appl. No.: **29/231,249**

(22) Filed: **Jun. 2, 2005**

(51) **LOC (8) Cl.** **14-02**

(52) **U.S. Cl.** **D14/327**

(58) **Field of Classification Search** D14/315-328;
D18/1, 2, 7, 11; 235/145 A, 145 R; 341/22,
341/23; 345/104, 156, 168, 169, 173, 87,
345/901-905; 361/680-686; 400/486, 489
See application file for complete search history.

(56) **References Cited**

U.S. PATENT DOCUMENTS

D384,043 S * 9/1997 Tamaki D14/318
D425,874 S * 5/2000 Tanimura D14/318

D431,821 S * 10/2000 Mizuno D14/318
D466,498 S * 12/2002 Wang D14/318
6,876,546 B1 * 4/2005 Tsao 361/683
D504,683 S * 5/2005 Kim et al. D14/315

* cited by examiner

Primary Examiner—Freda S. Nunn

(74) *Attorney, Agent, or Firm*—Flynn, Thiel, Boutell &
Tanis, P.C.

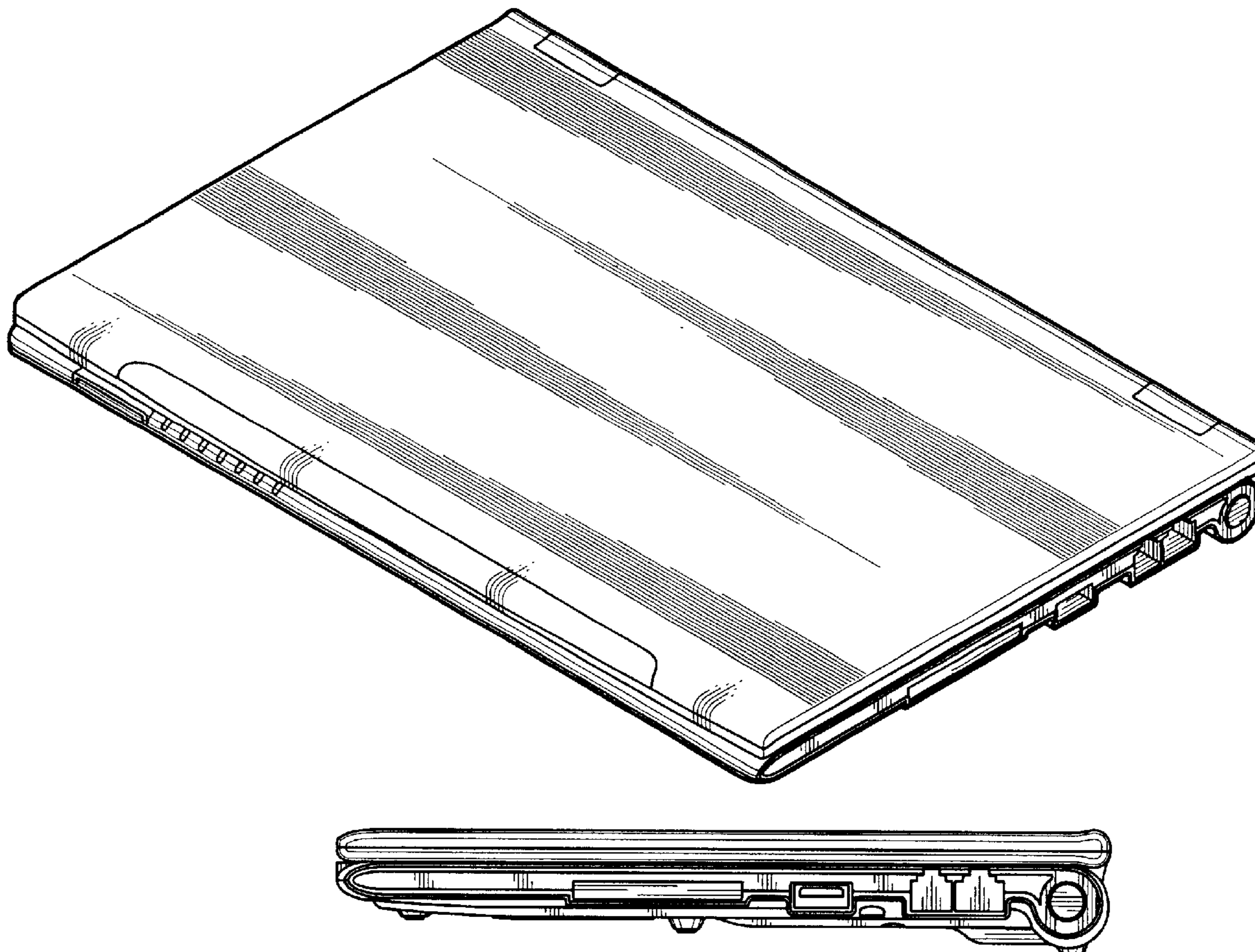
(57) **CLAIM**

The ornamental design for a notebook computer, as shown
and described.

DESCRIPTION

FIG. 1. is a top front perspective view of a notebook
computer showing our new design.
FIG. 2. is a front elevational view thereof.
FIG. 3. is a rear elevational view thereof.
FIG. 4. is a left side elevational view thereof.
FIG. 5. is a right side elevational view thereof.
FIG. 6. is a top plan view thereof; and,
FIG. 7. is a bottom plan view thereof.

1 Claim, 5 Drawing Sheets



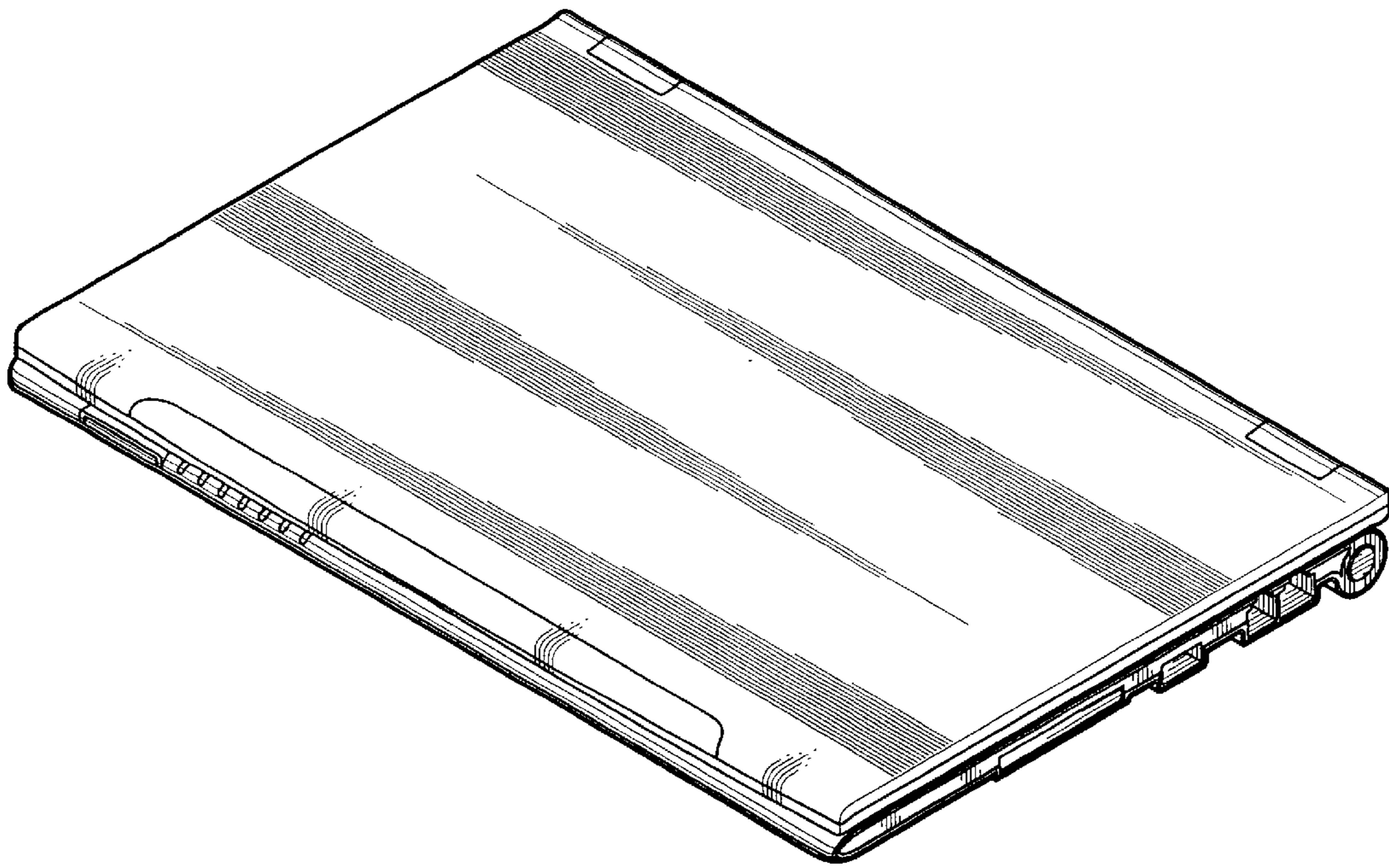


FIG. 1

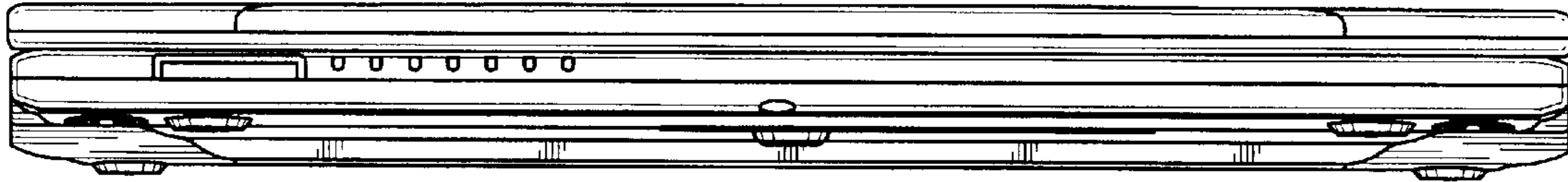


FIG. 2

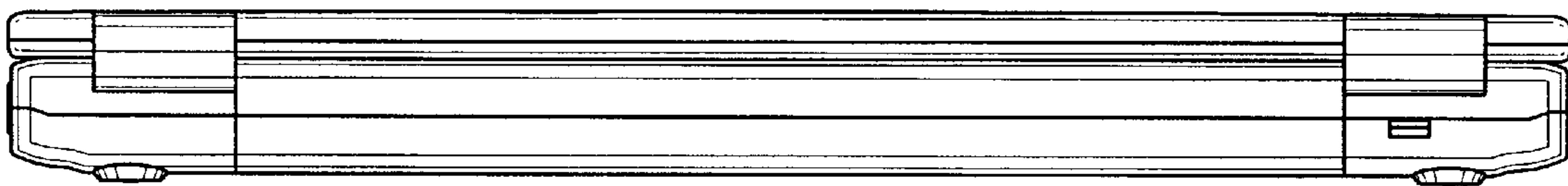


FIG. 3

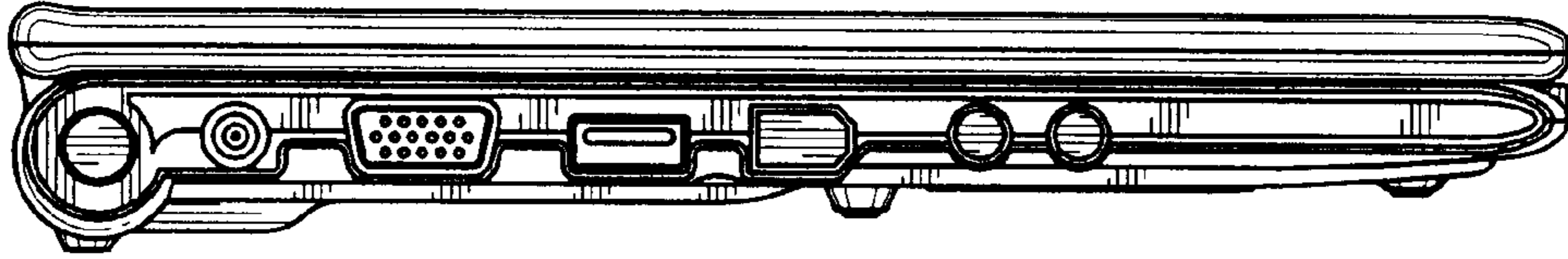


FIG. 4

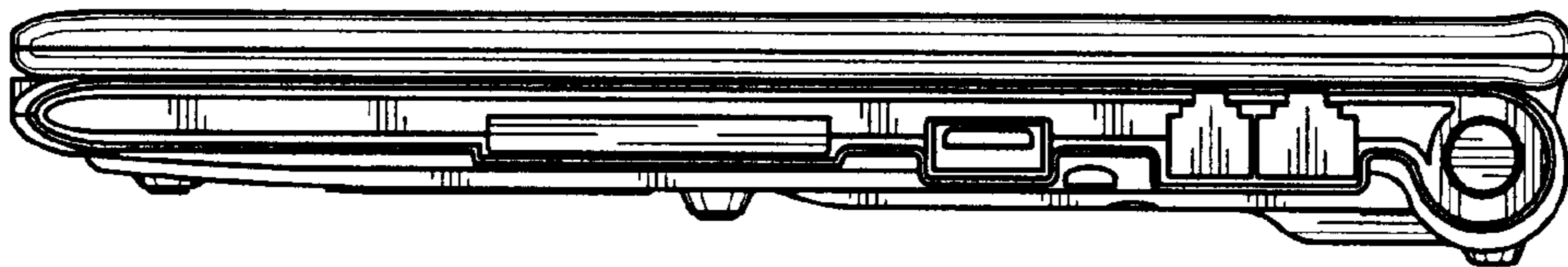


FIG. 5

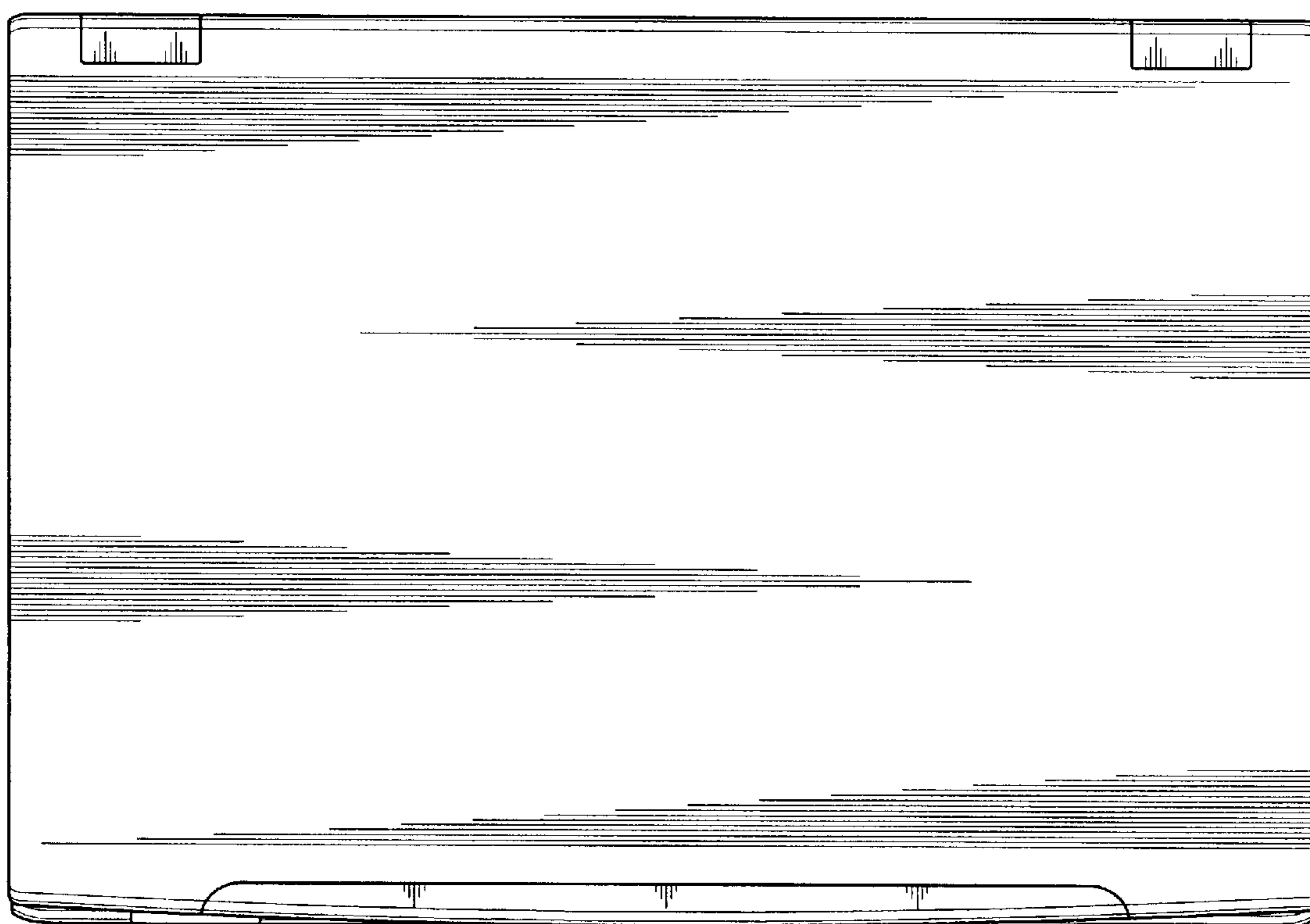


FIG. 6

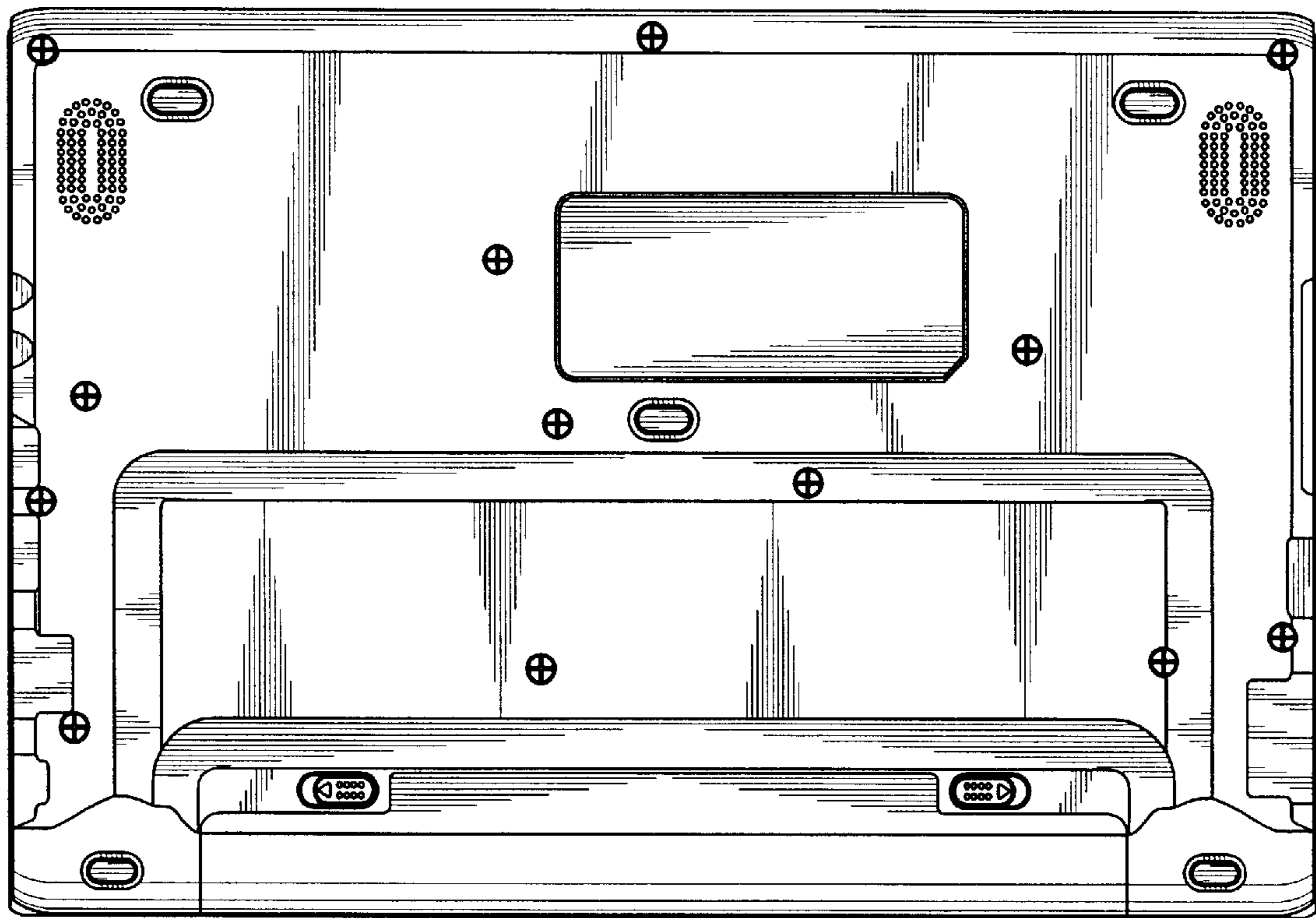


FIG.7