

US00D523005S

(12) **United States Design Patent** (10) **Patent No.:** **US D523,005 S**
El Sayed et al. (45) **Date of Patent:** **** Jun. 13, 2006**

(54) **VIDEO DISPLAY CONTROL UNIT
COMPRISING CHARGING BASE AND
CONTROL UNIT BOX**

(75) Inventors: **Atika El Sayed**, Levallois Perret (FR);
Nicolas Paris, Nanterre (FR)

(73) Assignee: **Eyeneo SAS**, Aubervillier Cedex (FR)

(**) Term: **14 Years**

(21) Appl. No.: **29/196,612**

(22) Filed: **Dec. 31, 2003**

(51) **LOC (8) Cl.** **14-03**

(52) **U.S. Cl.** **D14/239**

(58) **Field of Classification Search** D14/299,
D14/356, 125, 239, 361-363, 365, 466, 126,
D14/432, 135-136, 357; 348/460, 10; 361/690-696,
361/298.3, 681; 312/208.1, 223.2; 455/3.1-3.2,
455/6.1-6.3, 3.04, 345

See application file for complete search history.

(56) **References Cited**

U.S. PATENT DOCUMENTS

4,646,157	A	*	2/1987	Wakai et al.	348/794
5,100,328	A	*	3/1992	Badgley	434/308
5,153,569	A		10/1992	Kawamura et al.		
5,264,877	A		11/1993	Hussey		
5,276,471	A	*	1/1994	Yamauchi et al.	351/153
D363,279	S	*	10/1995	Ishizawa et al.	D14/372
D383,455	S	*	9/1997	MacInnes et al.	D14/372
D389,826	S	*	1/1998	Cousins	D14/135
5,777,715	A		7/1998	Kruegle et al.		
5,781,165	A		7/1998	Tabata		
D424,553	S	*	5/2000	Larian	D14/372
6,091,546	A		7/2000	Spitzer		

(Continued)

Primary Examiner—Raphael Barkai

(74) *Attorney, Agent, or Firm*—Foley & Lardner LLP

(57) **CLAIM**

We claim the ornamental design for a video display control unit comprising charging base and control unit box, as shown and described.

DESCRIPTION

This application is related to U.S. patent application Ser. No. 10/732,914, entitled Face-Mounted Apparatus Having Spectacles and a Video Display Integrated Into the Spectacles filed Dec. 10, 2003; U.S. Design patent application Ser. No. 29/196,610, entitled Video Display Control Unit filed Dec. 31, 2003; and U.S. Design patent application Ser. No. 29/196,611 entitled Video Display Integrated Into Spectacles filed Dec. 31, 2003.

FIG. 1 is a first front view of the claimed design;

FIG. 2 is a front perspective view of a control unit box thereof;

FIG. 3 is a back perspective view of the control unit box thereof;

FIG. 4 is a front view of the control unit box thereof;

FIG. 5 is a back view of the control unit box thereof;

FIG. 6 is a top view of the control unit box thereof;

FIG. 7 is a bottom view of the control unit box thereof;

FIG. 8 is a first side view of the control unit box thereof;

FIG. 9 is a second side view of the control unit box thereof;

FIG. 10 is a front view of a charging base thereof;

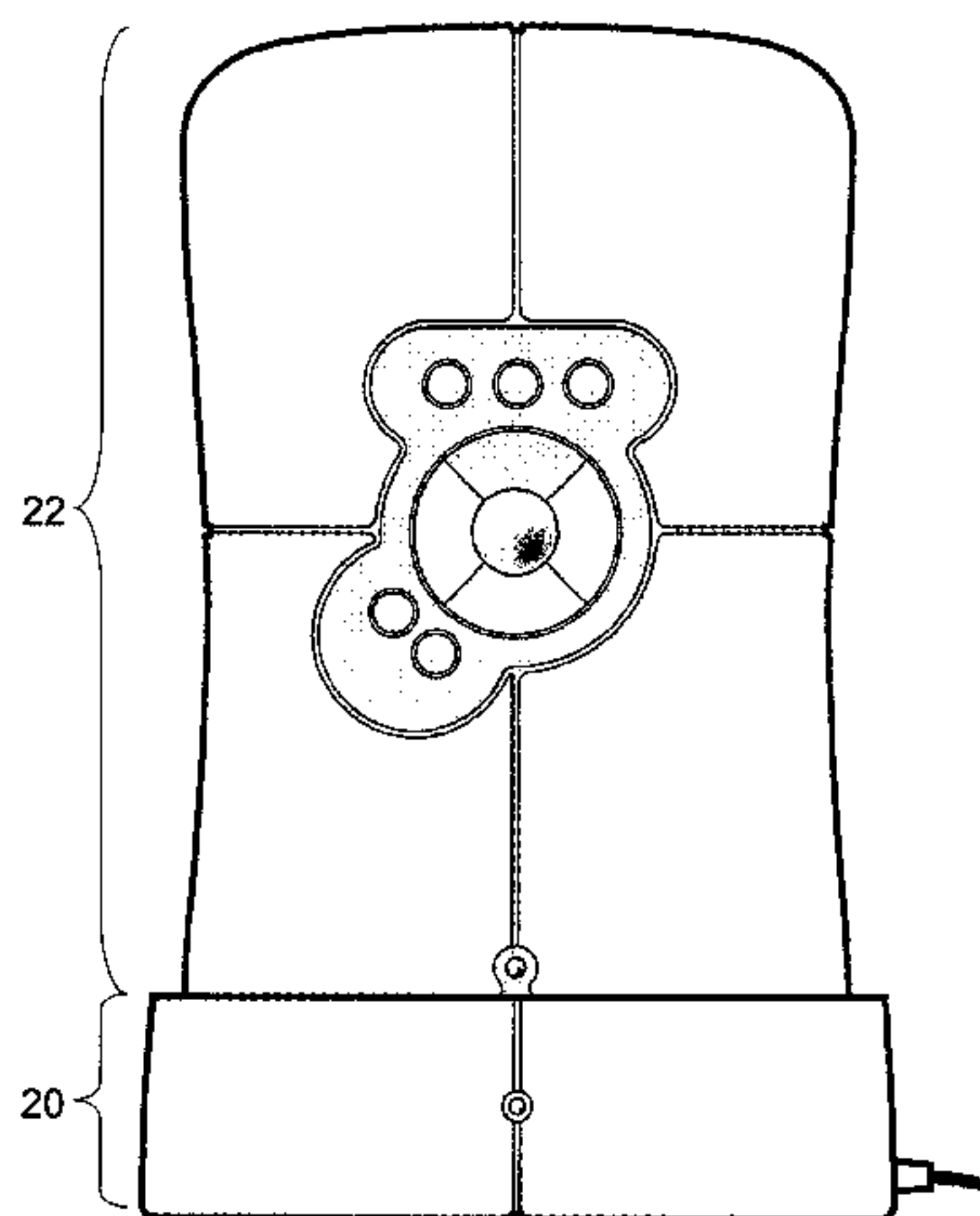
FIG. 11 is a top view of the charging base thereof; and

FIG. 12 is a first side view of the charging base thereof.

The ornamental design which is claimed is shown in solid lines in the drawings. The broken lines in the drawings are for illustrative purposes only and form no part of the claimed design. The logo "EYETOP" and the accompanying indicia form no part of the claimed design. The claimed design comprises two parts: a charging base and a control unit box. The bottom view of the charging base of the claimed design is flat and unornamented. The back view of the charging base of the claimed design is identical to the front view of the charging base of the claimed design. The second side view of the charging base of the claimed design is identical to the first side view of the charging base of the claimed design except for the inclusion of the power cord connection that is not part of the claimed design.

The control unit box and the charging base have been shown separately in FIGS 2-12 for ease of illustration only.

1 Claim, 8 Drawing Sheets



US D523,005 S

Page 2

U.S. PATENT DOCUMENTS

D433,411 S	11/2000	Kawashima		6,680,802 B1	1/2004	Ichikawa et al.	
D439,265 S *	3/2001	Hayashi	D16/309	6,729,726 B1	5/2004	Miller et al.	
6,204,974 B1	3/2001	Spitzer		6,762,885 B1 *	7/2004	Ogasawara et al.	359/630
D441,760 S *	5/2001	Hibino	D14/415	6,769,767 B1	8/2004	Swab et al.	
6,301,050 B1 *	10/2001	DeLeon	359/618	6,771,423 B1	8/2004	Geist	
6,346,929 B1	2/2002	Fukushima et al.		6,803,874 B1 *	10/2004	Weber	341/176
6,353,503 B1	3/2002	Spitzer et al.		6,819,864 B1 *	11/2004	Fujita et al.	386/46
6,384,982 B1	5/2002	Spitzer		2004/0061664 A1	4/2004	Kumar Venkatachalam	
6,417,969 B1	7/2002	DeLuca et al.		2004/0113867 A1	6/2004	Tomine et al.	
6,483,483 B1	11/2002	Kosugi et al.		2004/0156114 A1	8/2004	Sayed et al.	
6,501,516 B1 *	12/2002	Clapper	348/734	2004/0160571 A1 *	8/2004	Jannard et al.	351/158
D470,880 S *	2/2003	Sakai	D16/309	2004/0178970 A1	9/2004	El Sayed et al.	
6,563,648 B1 *	5/2003	Gleckman et al.	359/630	2004/0212778 A1 *	10/2004	Velazquez	351/158
6,636,272 B1 *	10/2003	Noguchi et al.	348/734	2005/0088366 A1	4/2005	Fujio et al.	
D484,886 S *	1/2004	Matsuoka	D14/454				

* cited by examiner

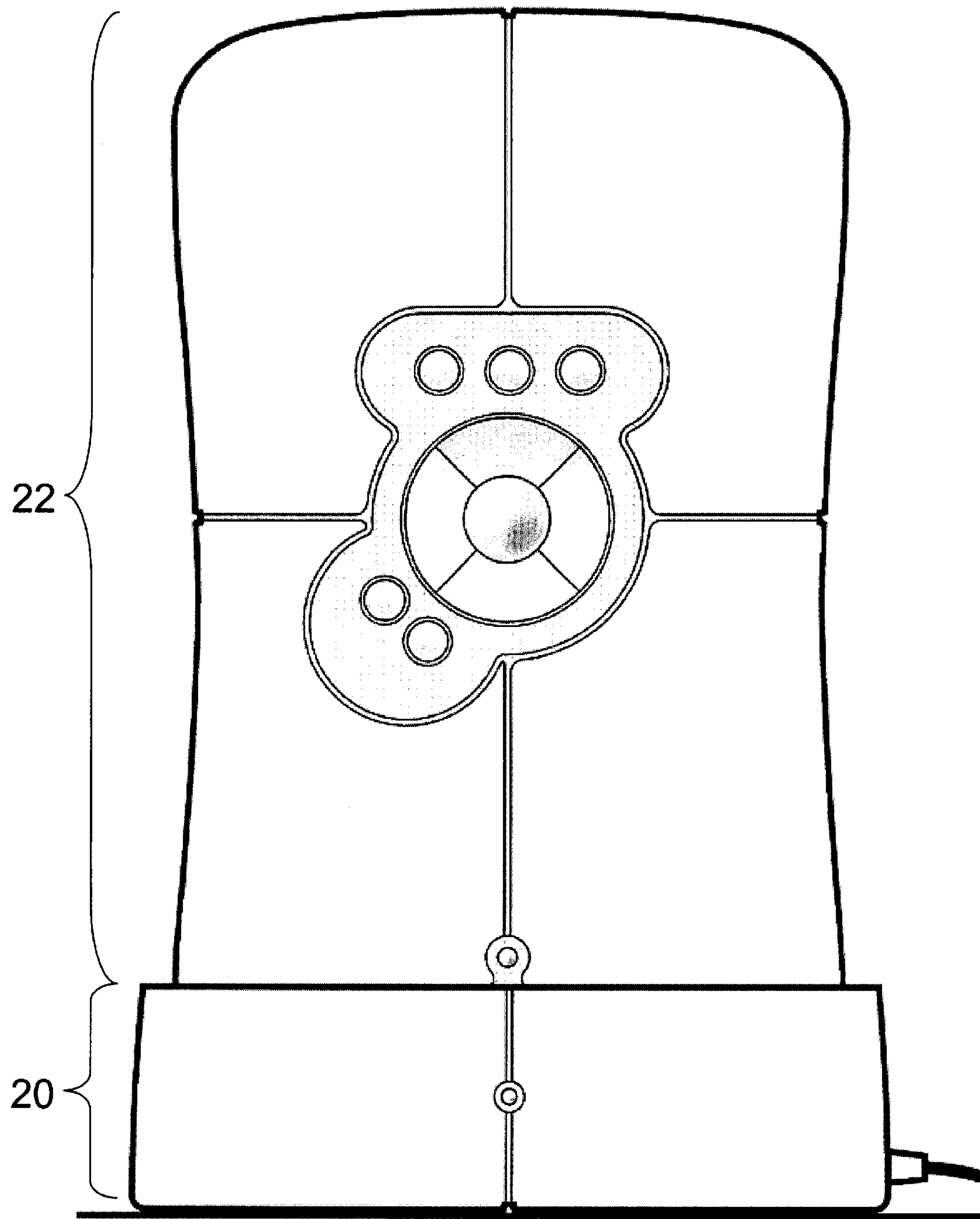


Fig.1

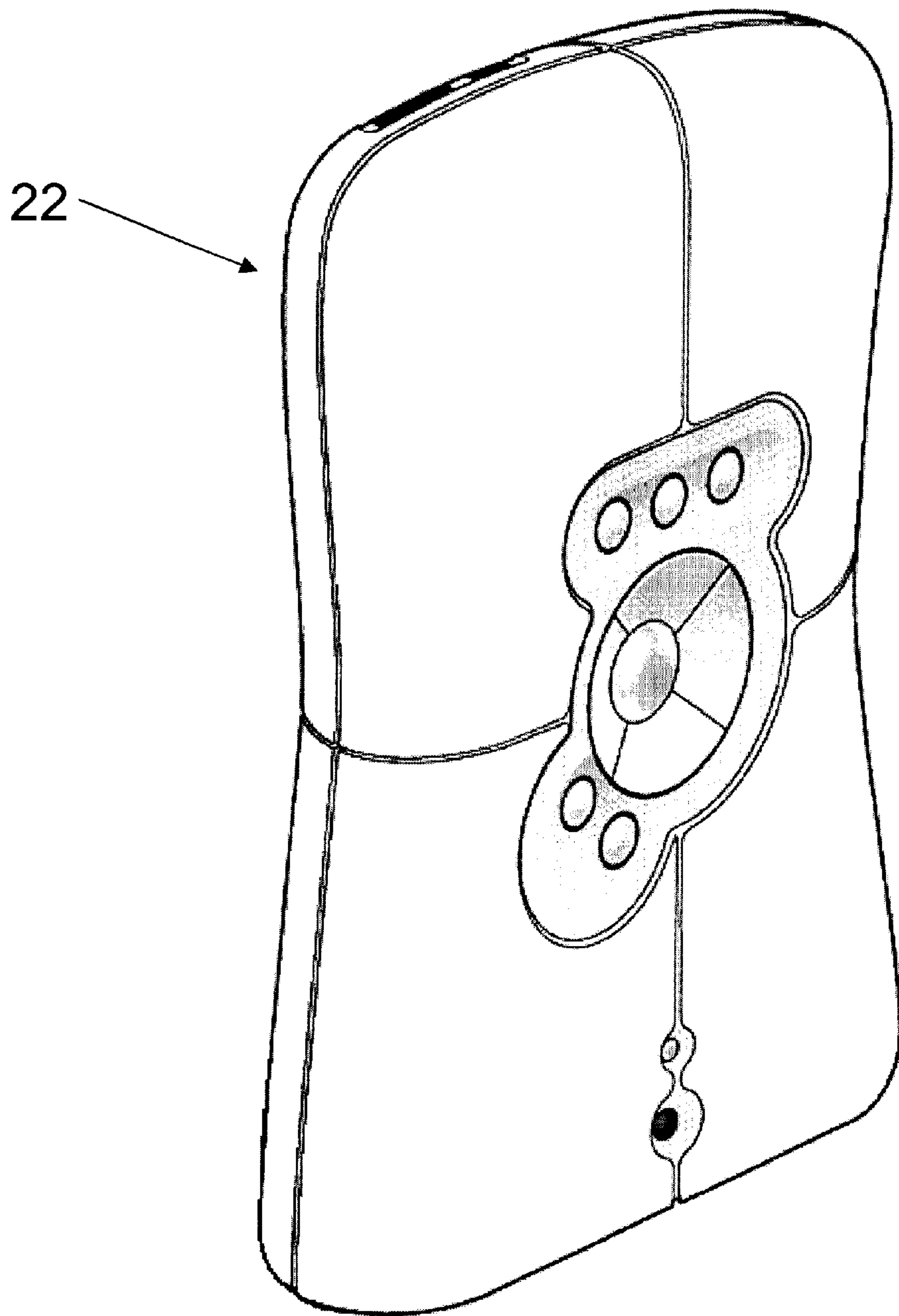


Fig.2

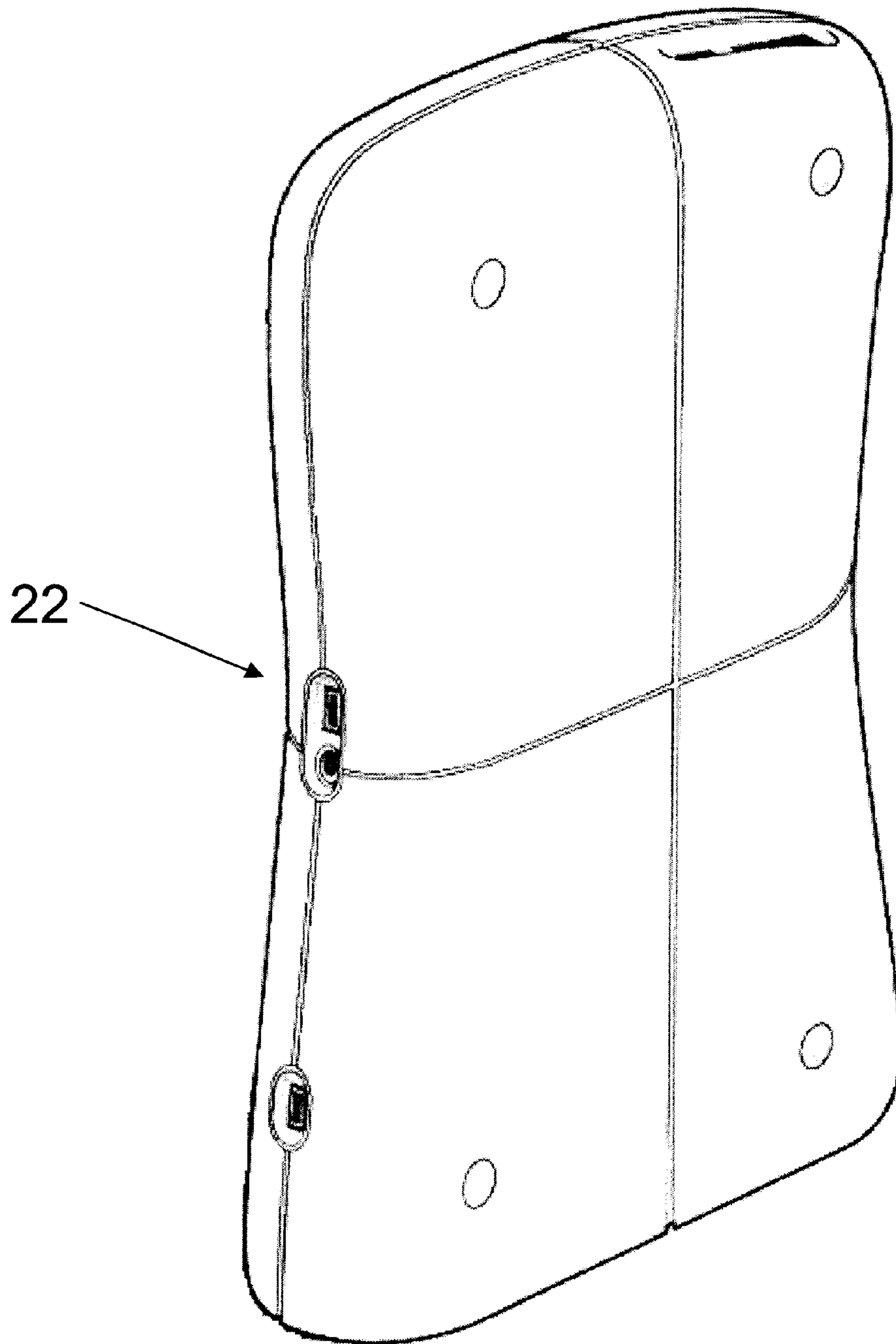


Fig.3

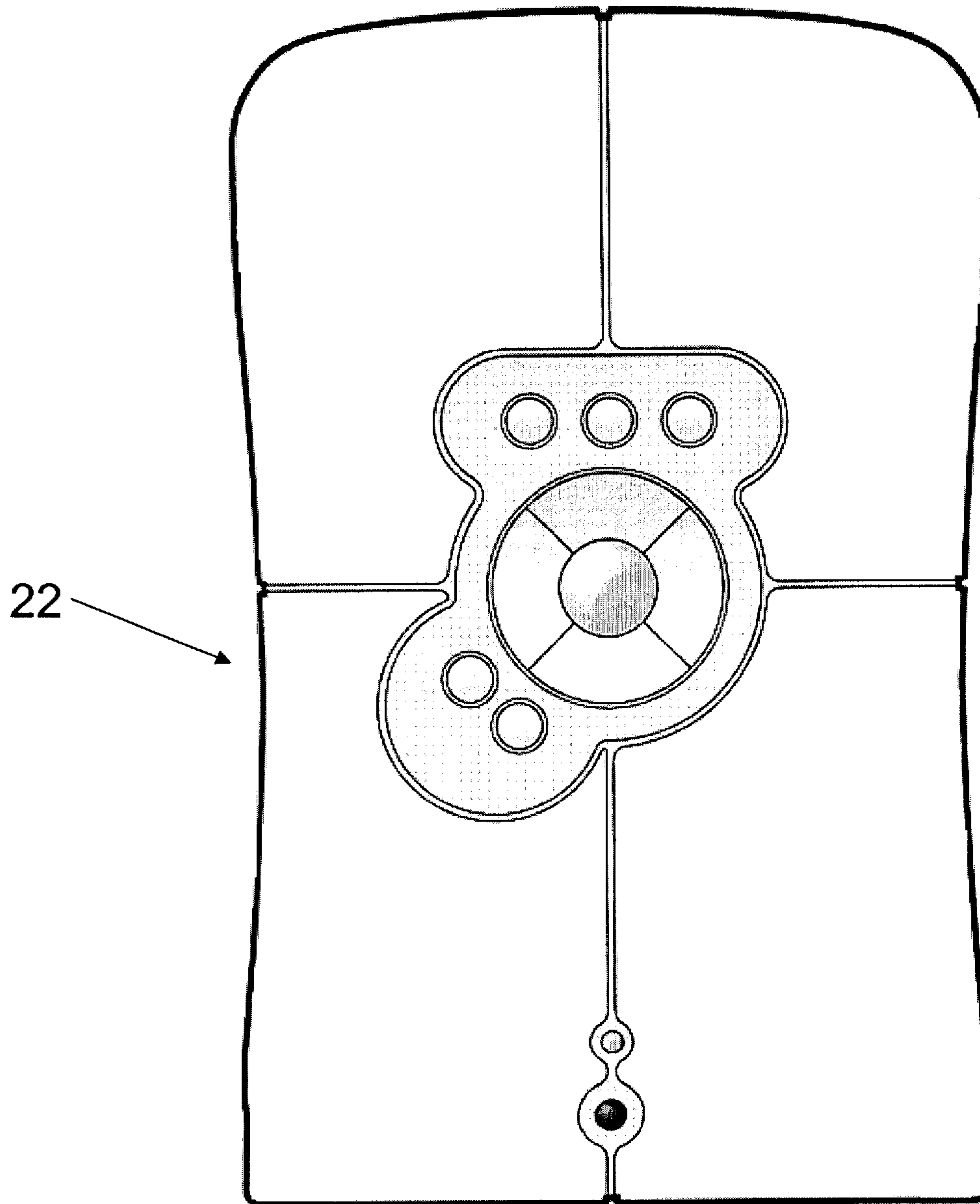


Fig.4

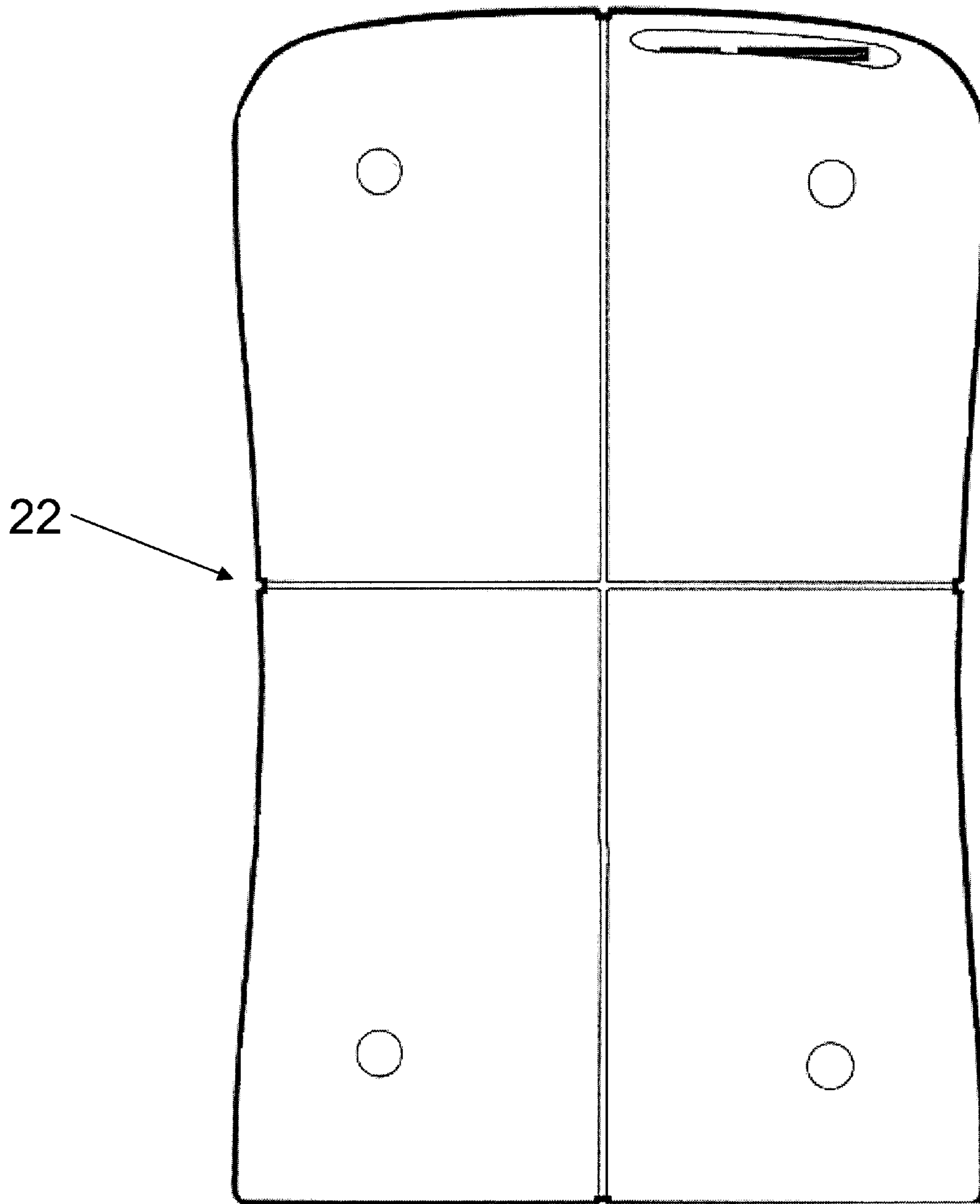
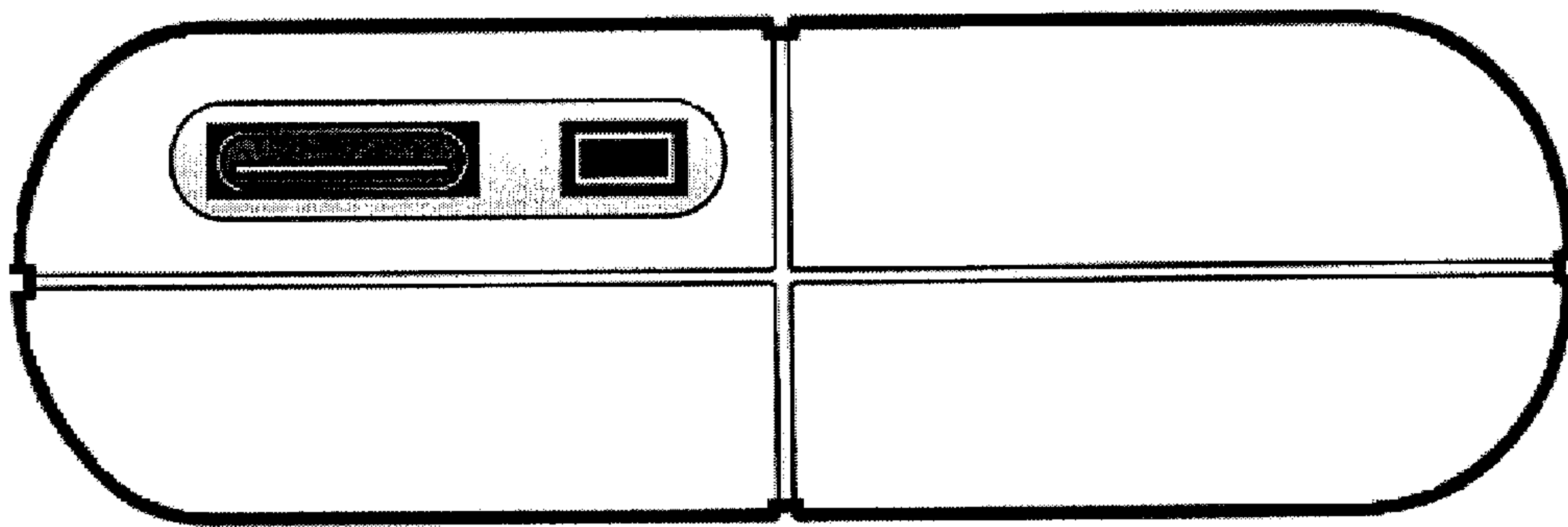
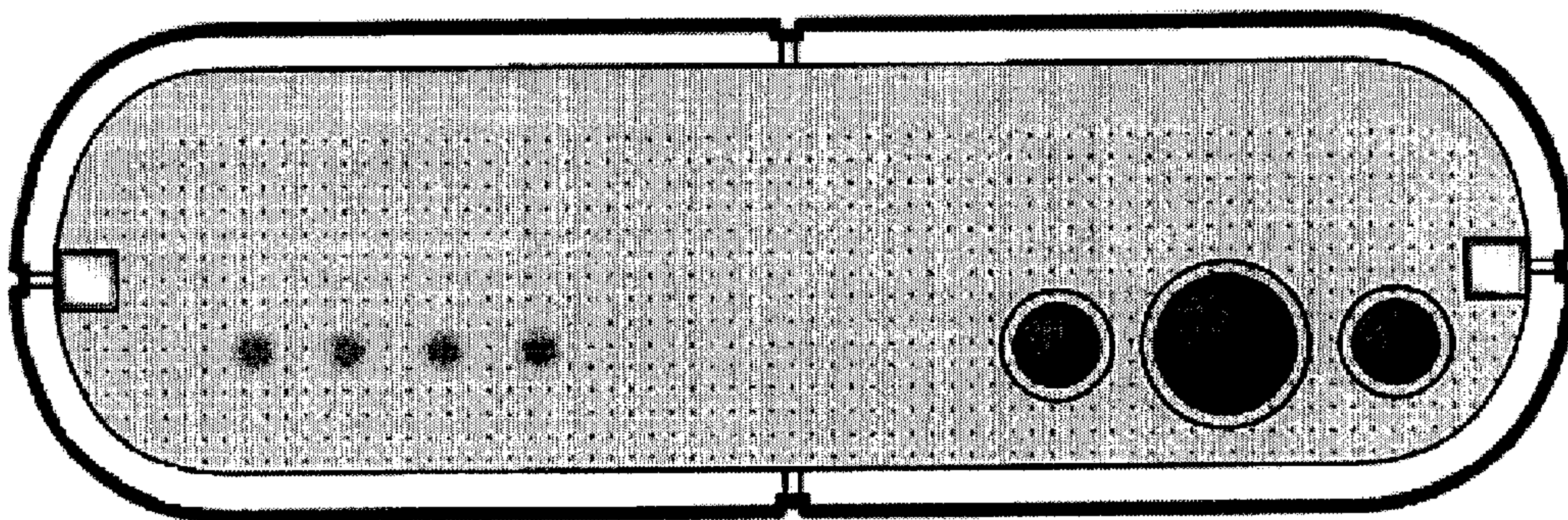


Fig.5



22

Fig.6



22

Fig.7

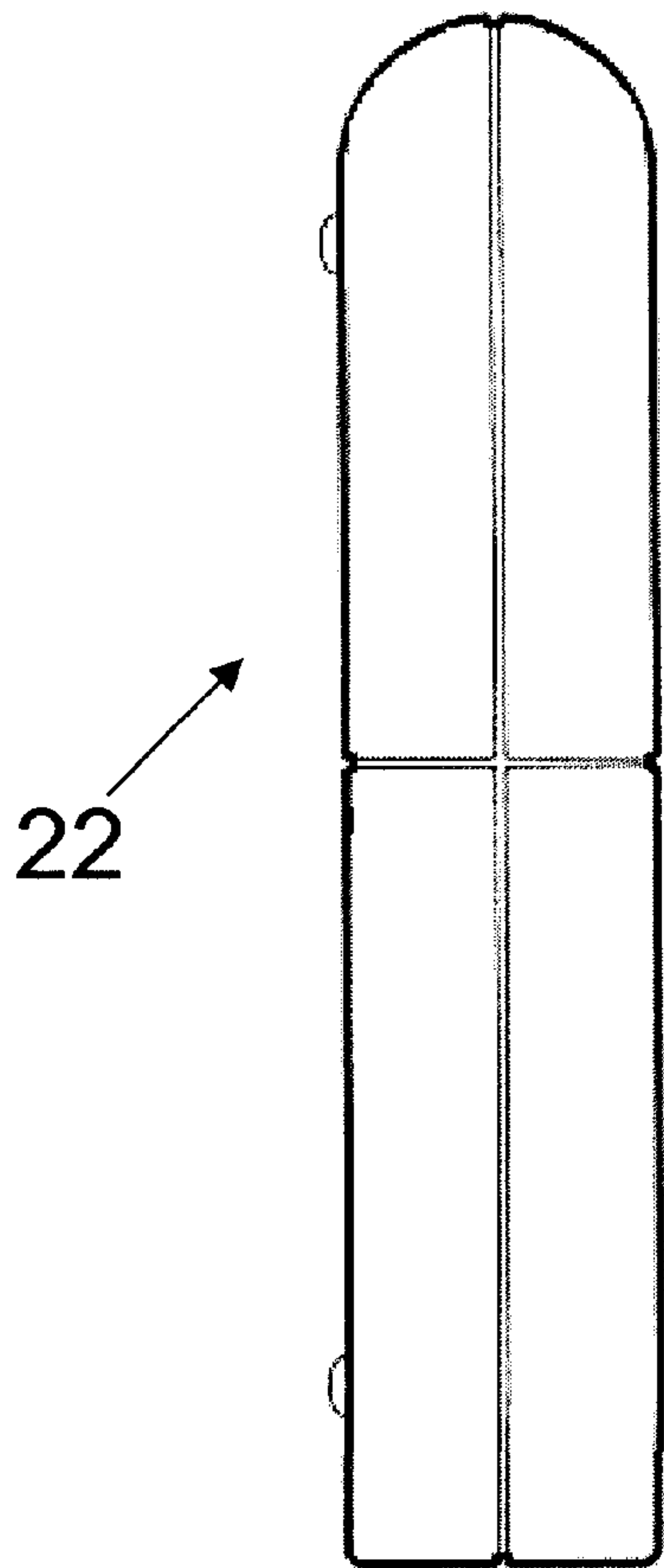


Fig.8

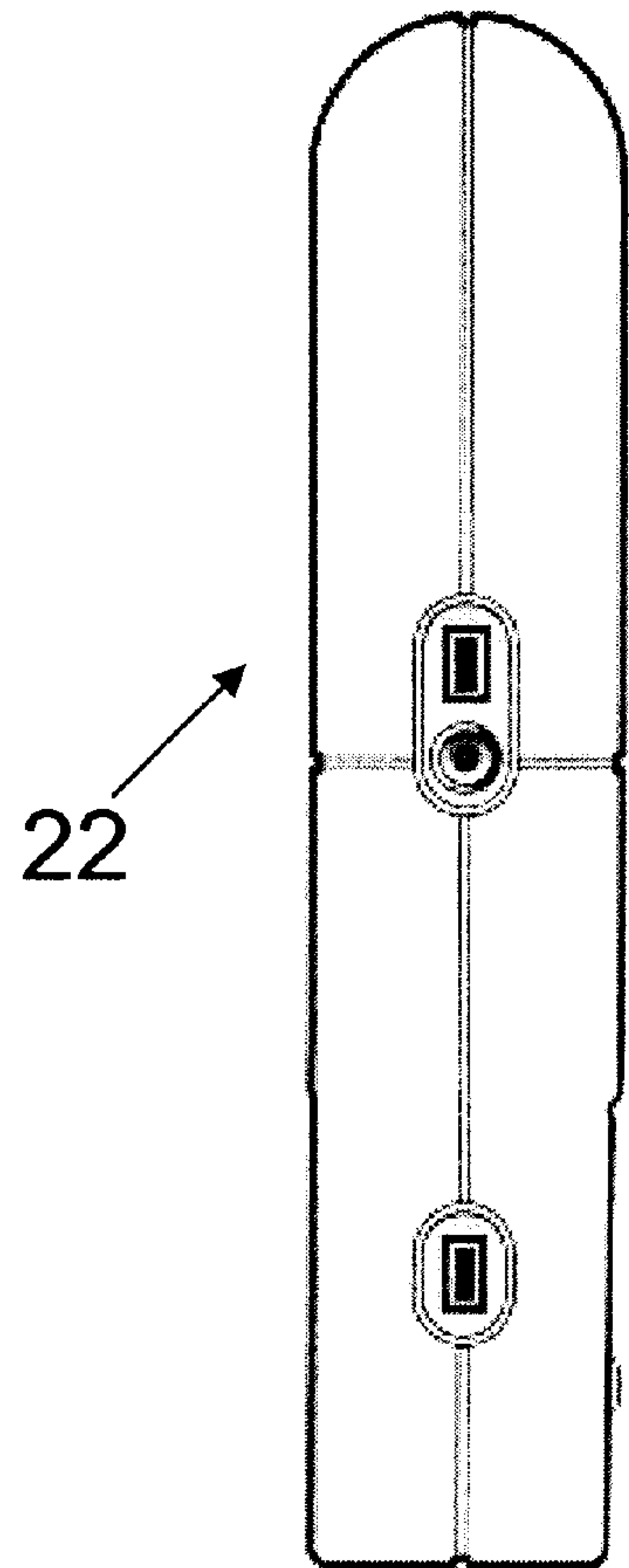
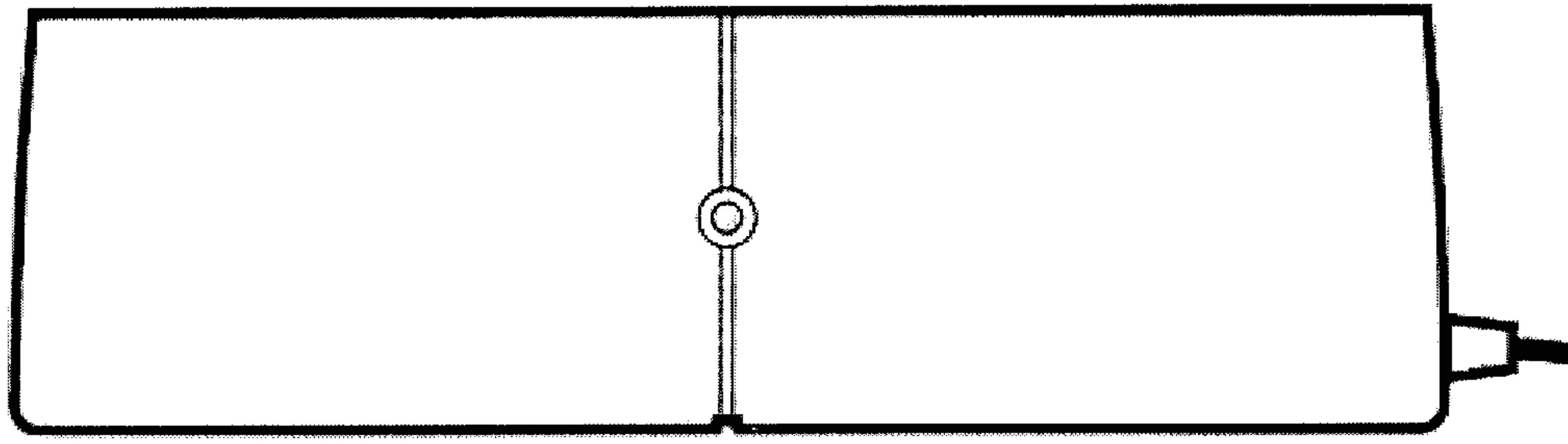
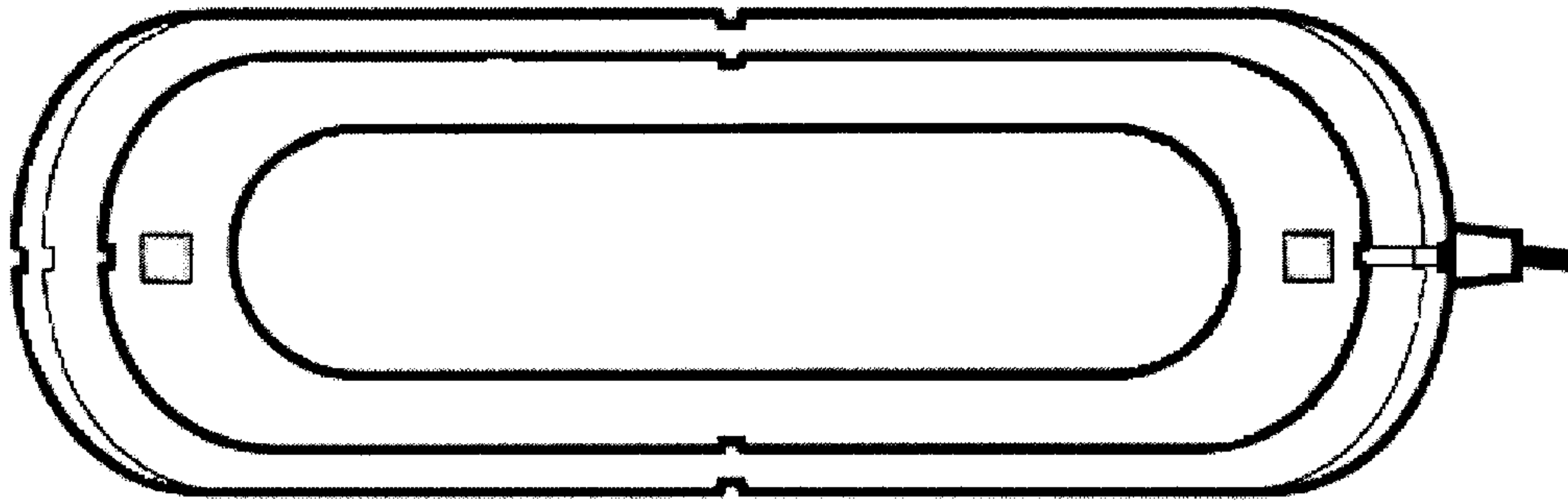


Fig.9



22

Fig.10



22

Fig.11

22

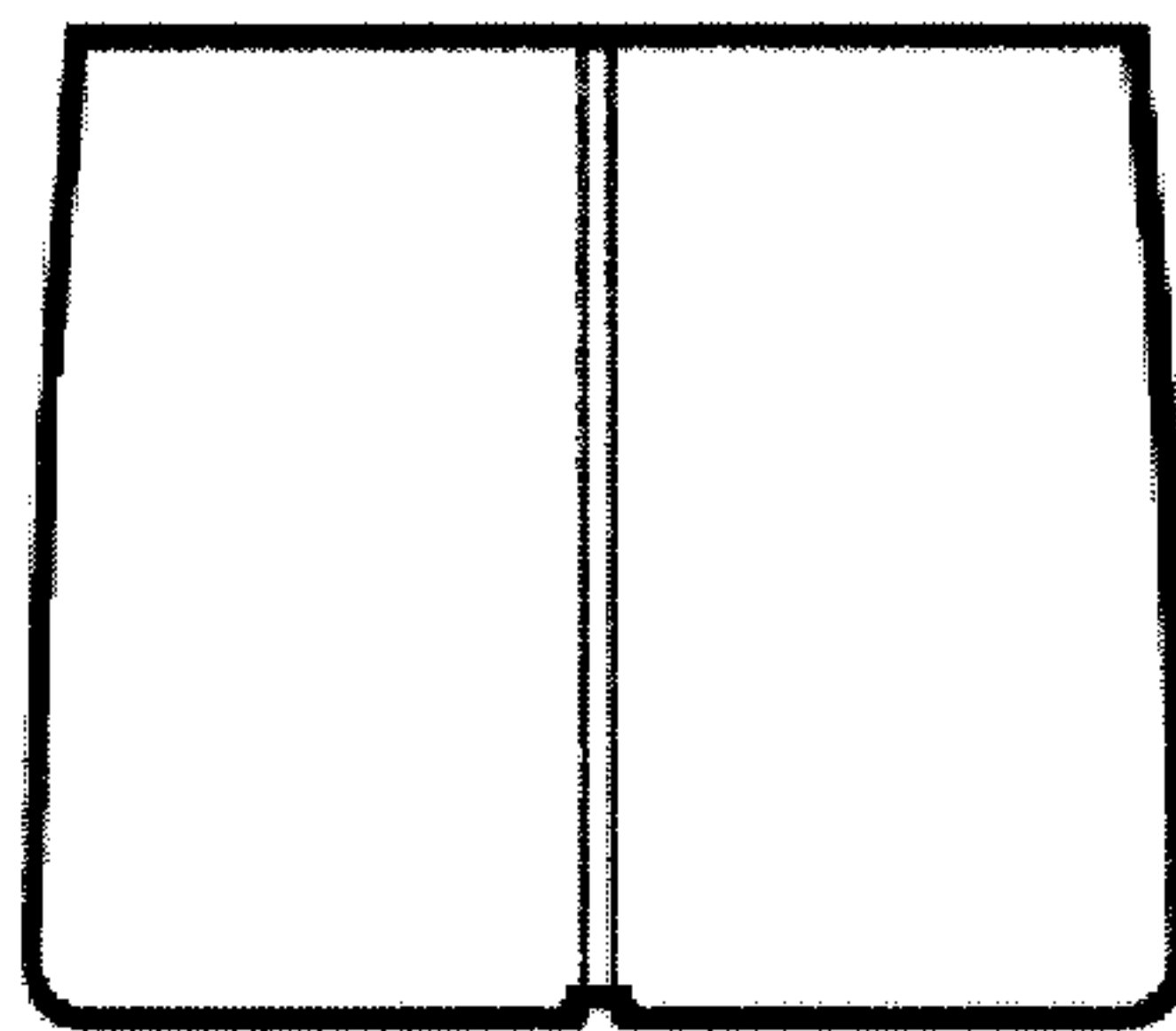


Fig.12