



US00D523001S

(12) **United States Design Patent**
Hussaini et al.

(10) **Patent No.:** **US D523,001 S**
(45) **Date of Patent:** **** Jun. 13, 2006**

(54) **REMOTE CONTROL EARPHONE ACCESSORY**
(75) Inventors: **Saied Hussaini**, Miami, FL (US); **Marc Iacovelli**, Miami, FL (US)

(73) Assignee: **i-tec Electronics Inc.**, Miami, FL (US)
(**) Term: **14 Years**

(21) Appl. No.: **29/243,998**
(22) Filed: **Dec. 5, 2005**

(51) **LOC (8) Cl.** **14-03**
(52) **U.S. Cl.** **D14/218**
(58) **Field of Classification Search** D14/174,
D14/217, 218, 137-139, 151, 191-193, 299,
D14/167, 388, 168; D13/168, 162-164; D21/512-517,
D21/566; D10/104, 106; 455/352-355, 151.1-151.4,
455/128, 347, 90.3; 348/114, 734
See application file for complete search history.

(56) **References Cited**
U.S. PATENT DOCUMENTS

D318,670 S * 7/1991 Taniguchi D14/205
D359,954 S * 7/1995 Shimizu et al. D14/388

D412,897 S * 8/1999 Attwood et al. D14/388
D451,918 S * 12/2001 Kizu D14/341
D469,761 S * 2/2003 Nussberger D14/341
D476,642 S * 7/2003 Hussaini et al. D14/217

* cited by examiner

Primary Examiner—Louis S. Zarfaz
Assistant Examiner—John Windmuller
(74) *Attorney, Agent, or Firm*—Berenato, White & Stavish

(57) **CLAIM**

The ornamental design for a remote control earphone accessory, as shown and described.

DESCRIPTION

FIG. 1 is a front perspective view of a remote control earphone accessory showing our new design; FIG. 2 is a front elevational view thereof; FIG. 3 is a rear elevational view thereof; FIG. 4 is a right side elevational view thereof; FIG. 5 is a left side elevational view thereof; FIG. 6 is a top plan view thereof in an alternate position of use; and, FIG. 7 is a bottom plan view thereof in an alternate position of use.

1 Claim, 5 Drawing Sheets

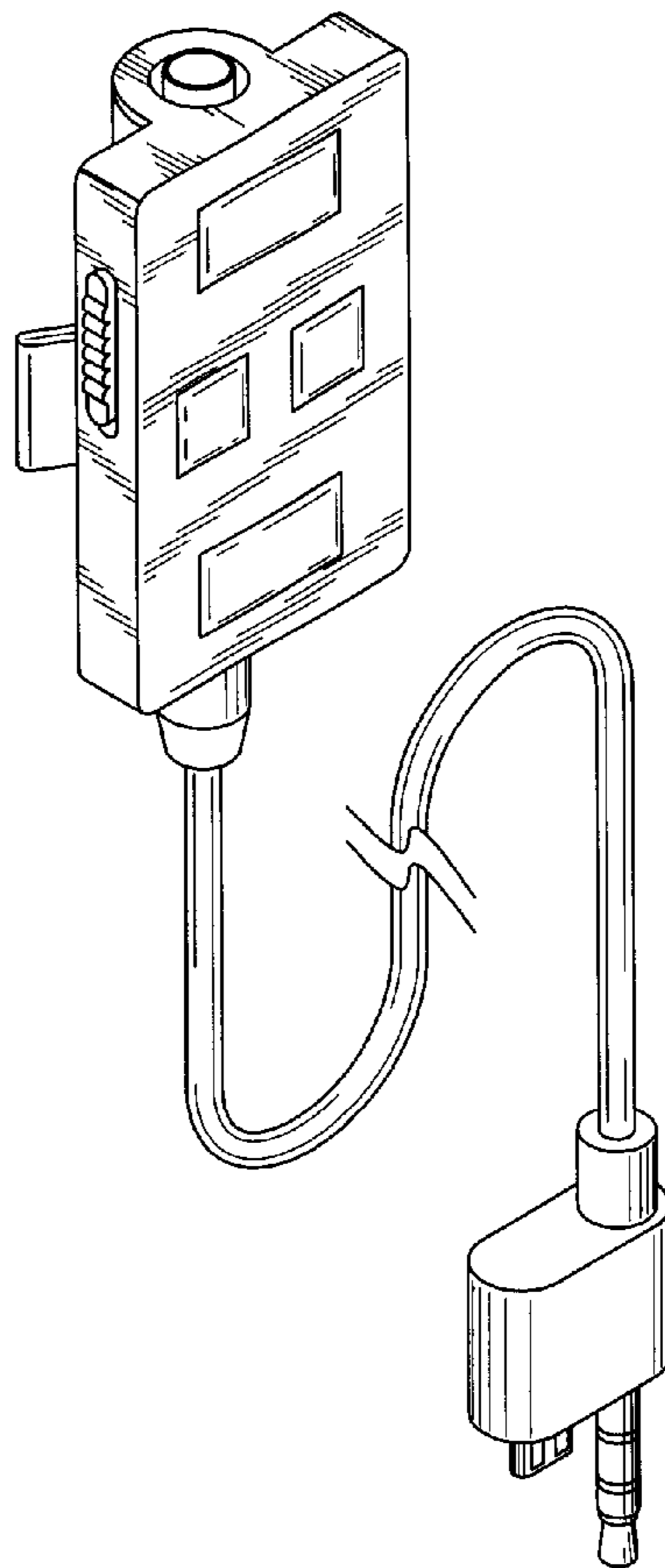


Fig. 1

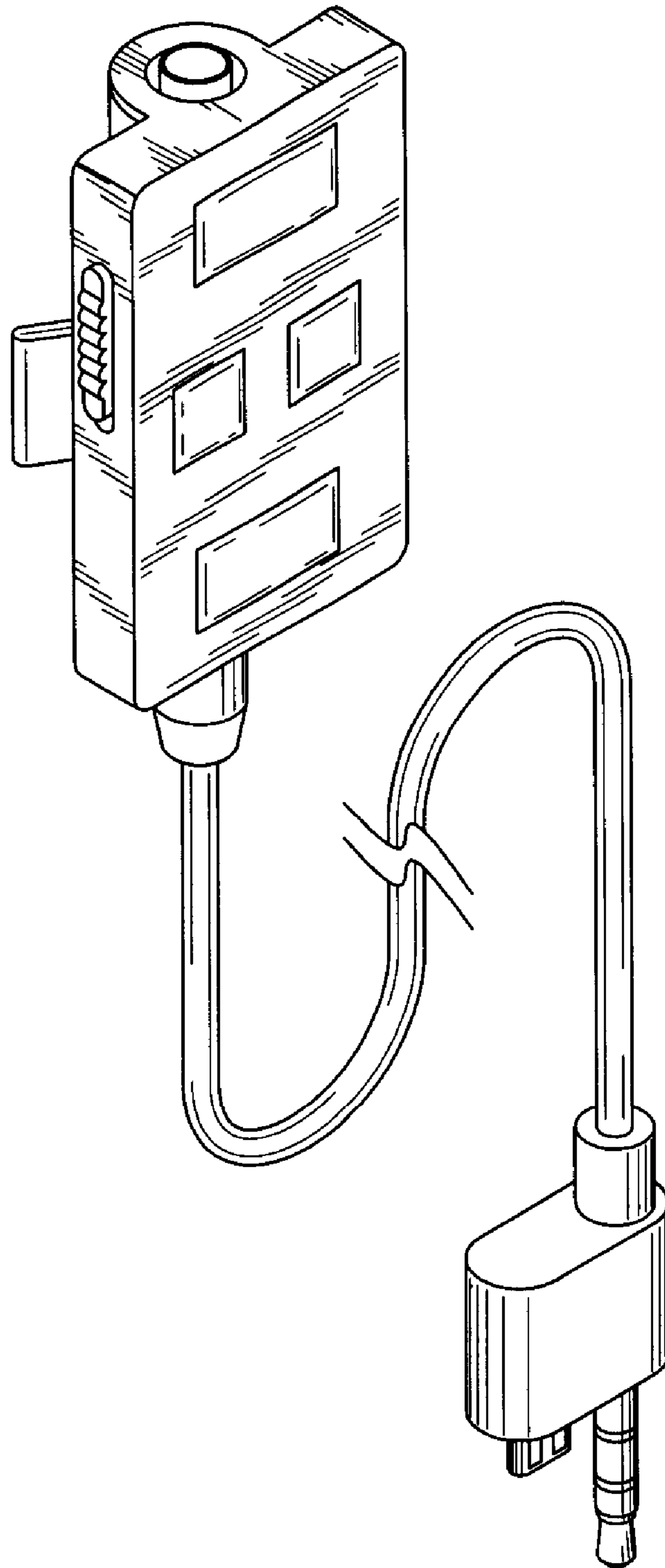


Fig. 2

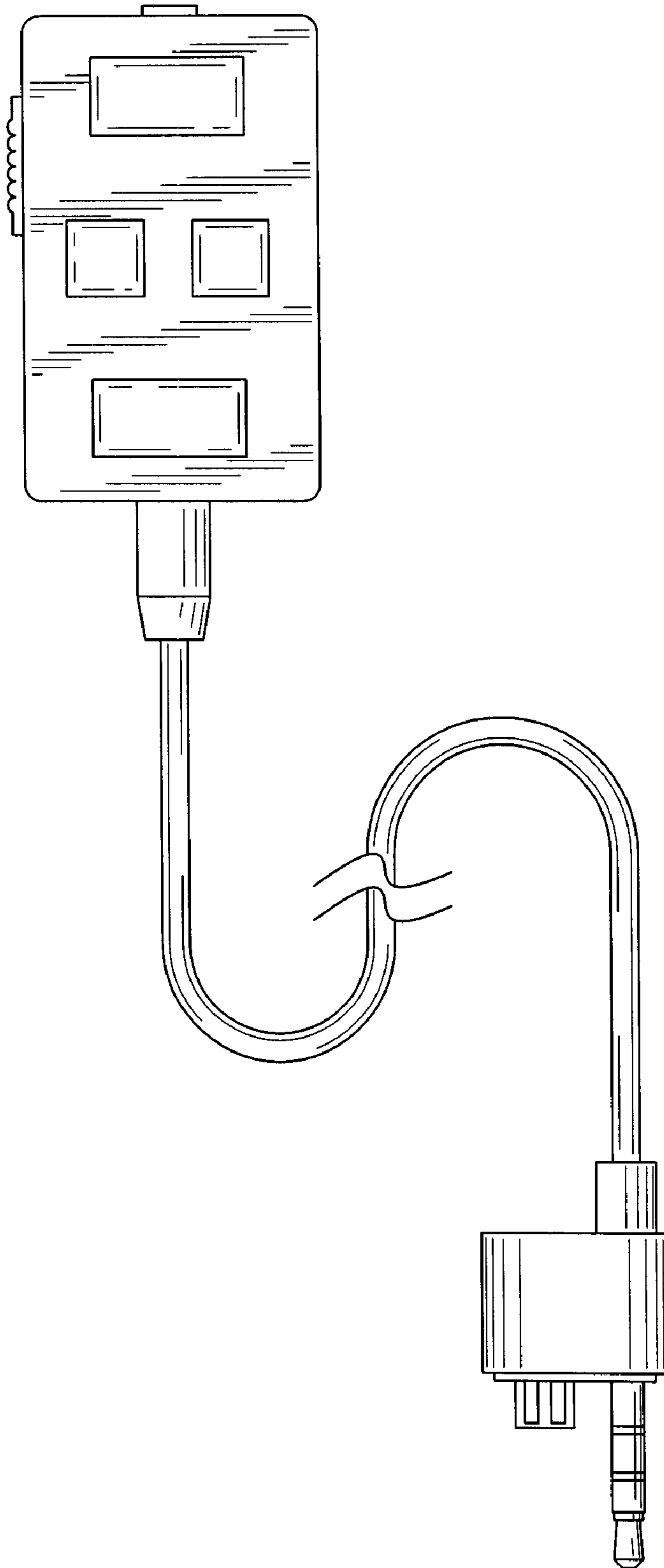


Fig. 3

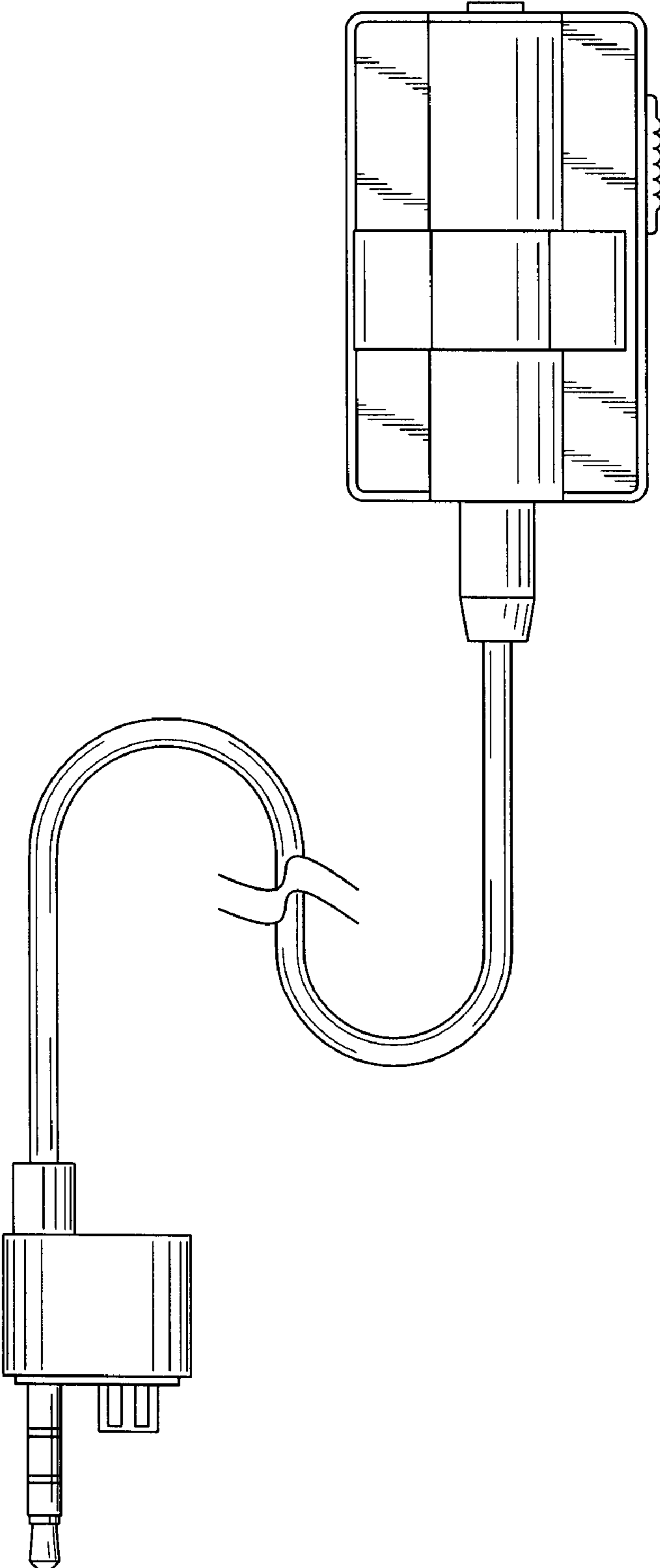


Fig. 4

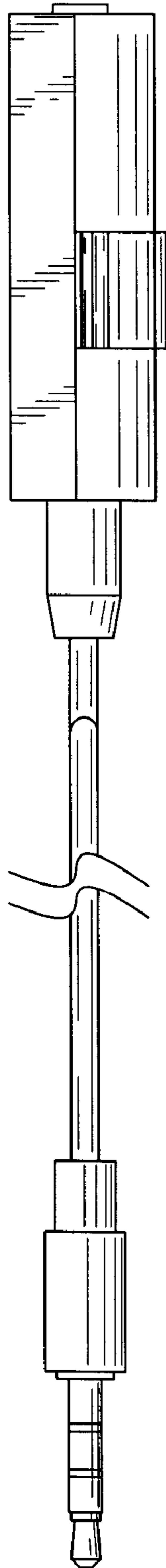


Fig. 5

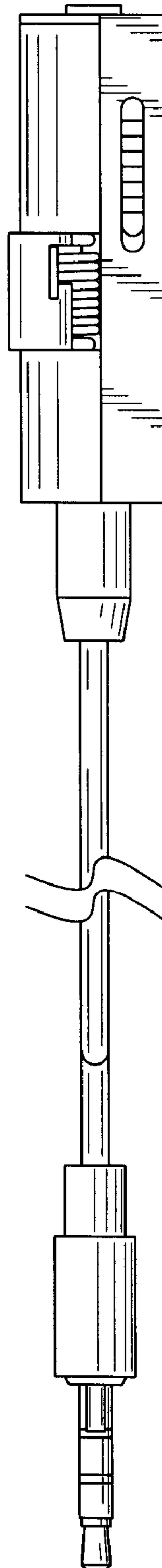


Fig. 6

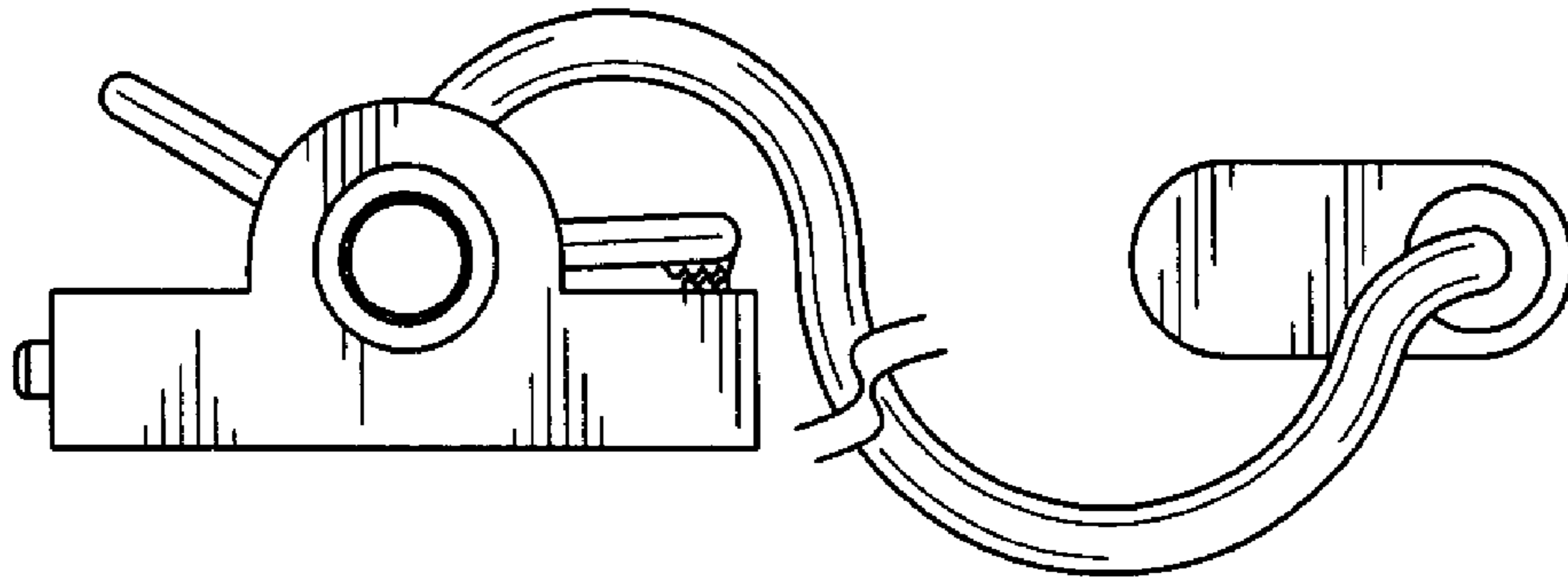


Fig. 7

