

US00D523000S

(12) **United States Design Patent**  
**Bronson, III**

(10) **Patent No.:** **US D523,000 S**

(45) **Date of Patent:** **\*\* Jun. 13, 2006**

(54) **SPEAKER ENCLOSURE**

D434,750 S \* 12/2000 Childers et al. .... D14/204

(76) **Inventor:** **Andrew P Bronson, III**, 1956 Pratt St.,  
Philadelphia, PA (US) 19124

\* cited by examiner

*Primary Examiner*—Nanda Bondade

(\*\*) **Term:** **14 Years**

(57) **CLAIM**

(21) **Appl. No.:** **29/167,523**

The ornamental design for a speaker enclosure, as shown and described.

(22) **Filed:** **Sep. 16, 2002**

**DESCRIPTION**

(51) **LOC (8) Cl.** ..... **14-01**

(52) **U.S. Cl.** ..... **D14/215; D14/214**

(58) **Field of Classification Search** ..... D14/204,  
D14/207, 209–216, 356; 181/143–145, 147–148,  
181/150, 153, 157, 198–199; 381/300–302,  
381/306, 333, 345, 361–364, 386–388, 370  
See application file for complete search history.

FIG. 1 is a rear view of a speaker enclosure showing my new design;

FIG. 2 is top view thereof;

FIG. 3 is a right side view thereof in an angled position, the left side view being a mirror image;

FIG. 4 is a right side view thereof in an upright position, the left side view being a mirror image;

FIG. 5 is a perspective view thereof in an angled position; and,

FIG. 6 is a perspective view thereof in an upright position.

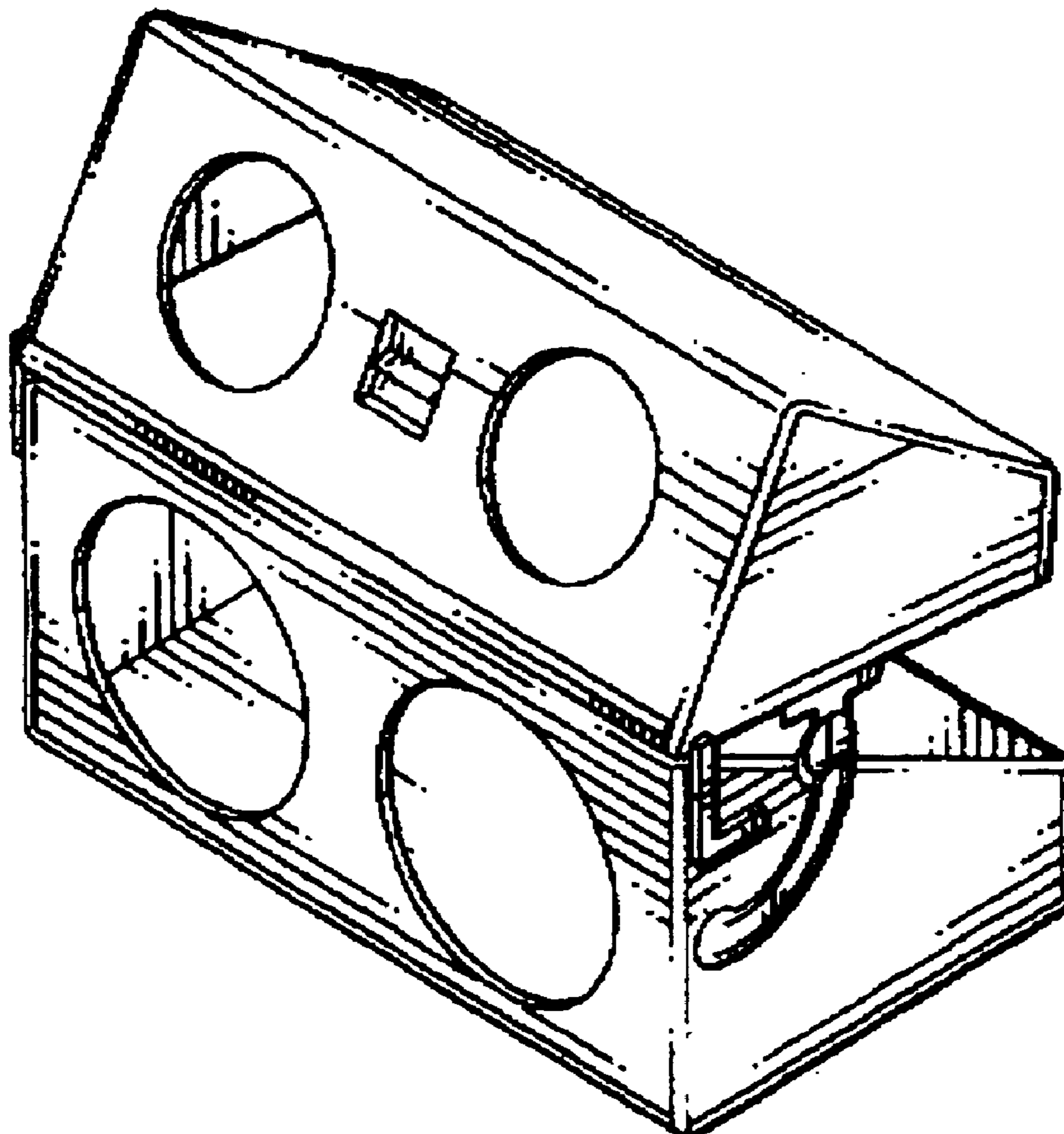
The broken line showing on the drawing disclosure is for illustrative purposes only and forms no part of the claimed design.

(56) **References Cited**

**U.S. PATENT DOCUMENTS**

4,924,964	A	*	5/1990	Olsen	.....	181/151
5,000,286	A	*	3/1991	Crawford et al.	.....	181/145
5,781,645	A	*	7/1998	Beale	.....	381/370
5,900,593	A	*	5/1999	Adamson	.....	181/152
6,016,353	A	*	1/2000	Gunness	.....	381/342

**1 Claim, 3 Drawing Sheets**



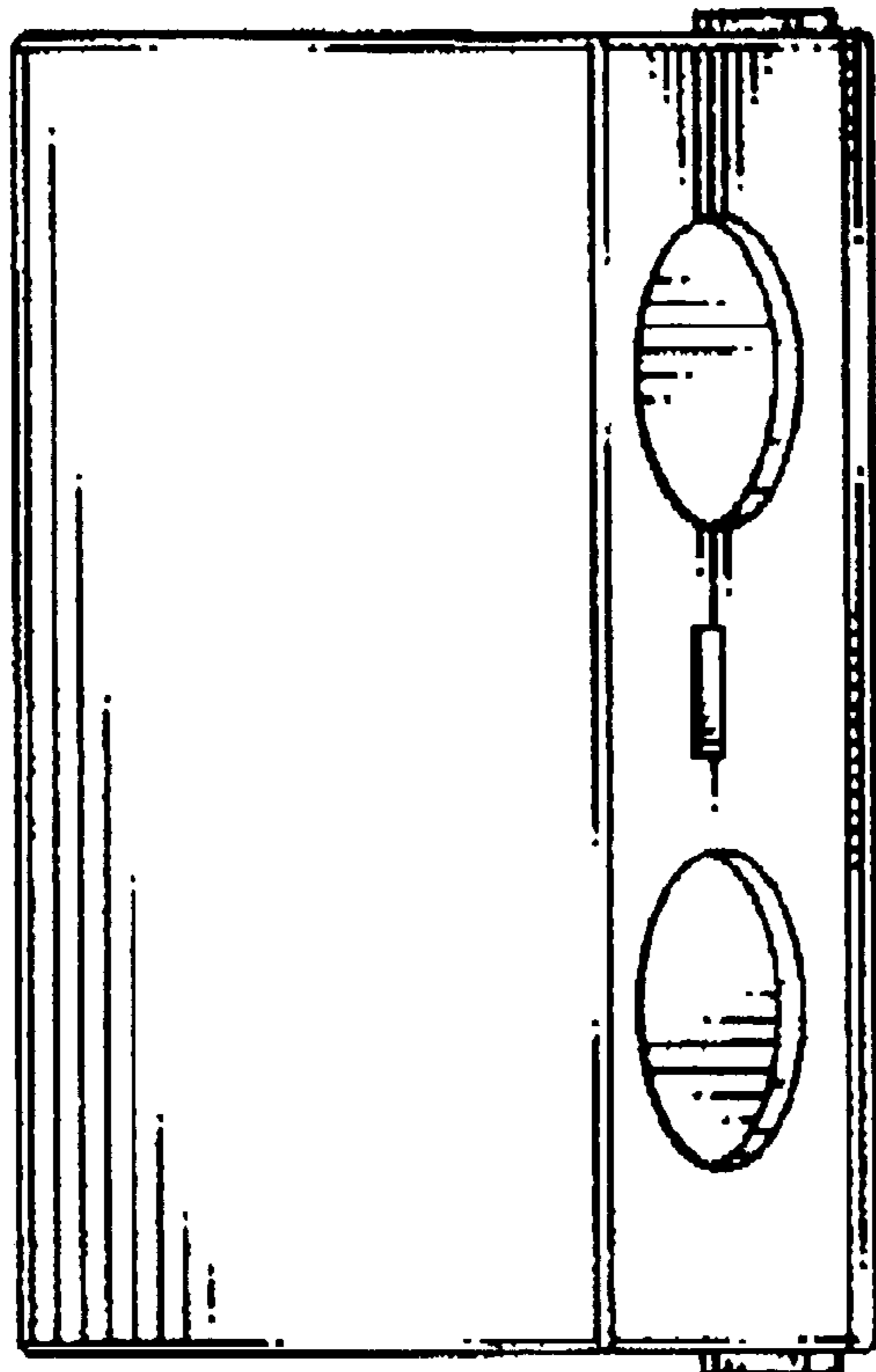


FIG. 2

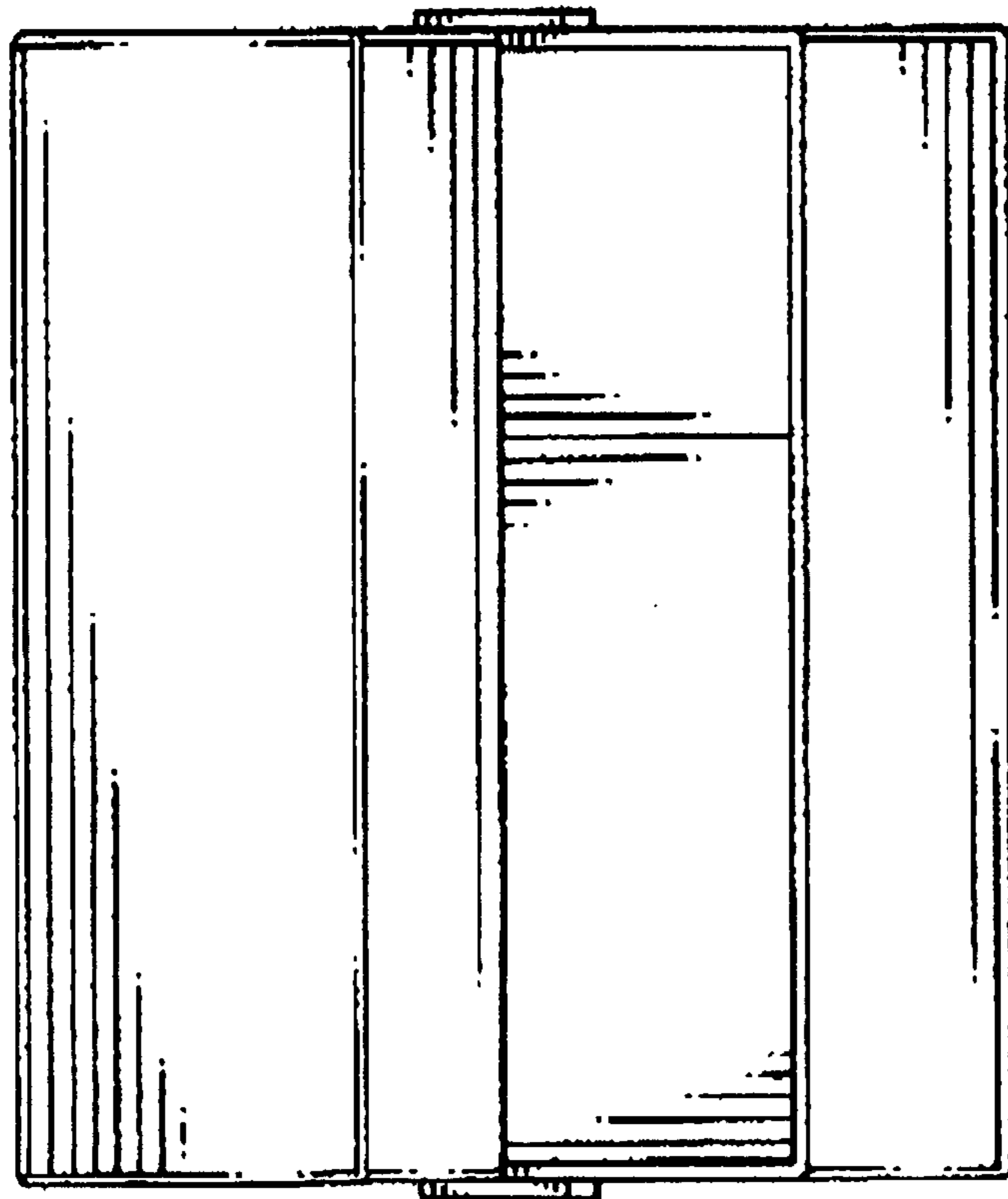
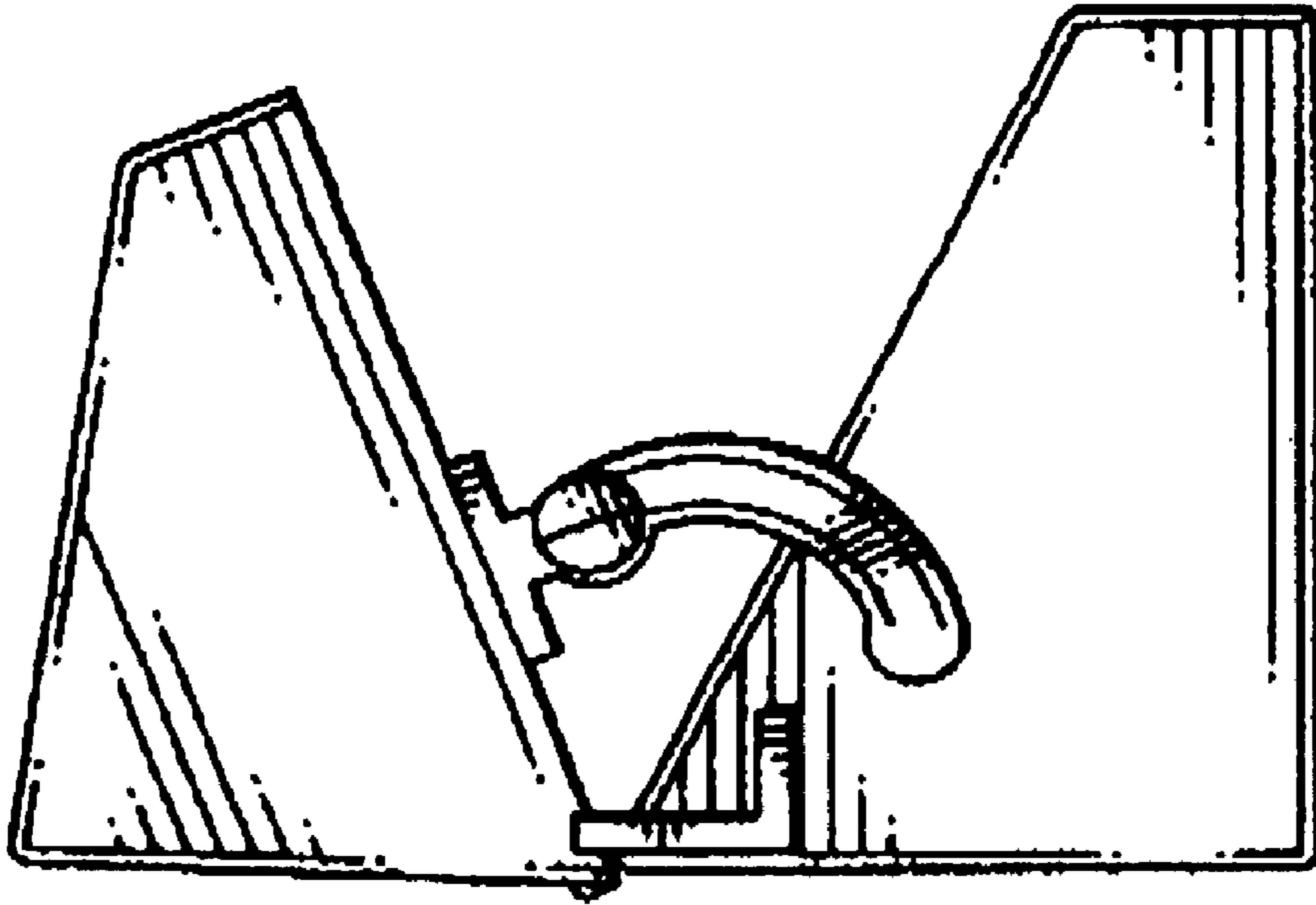
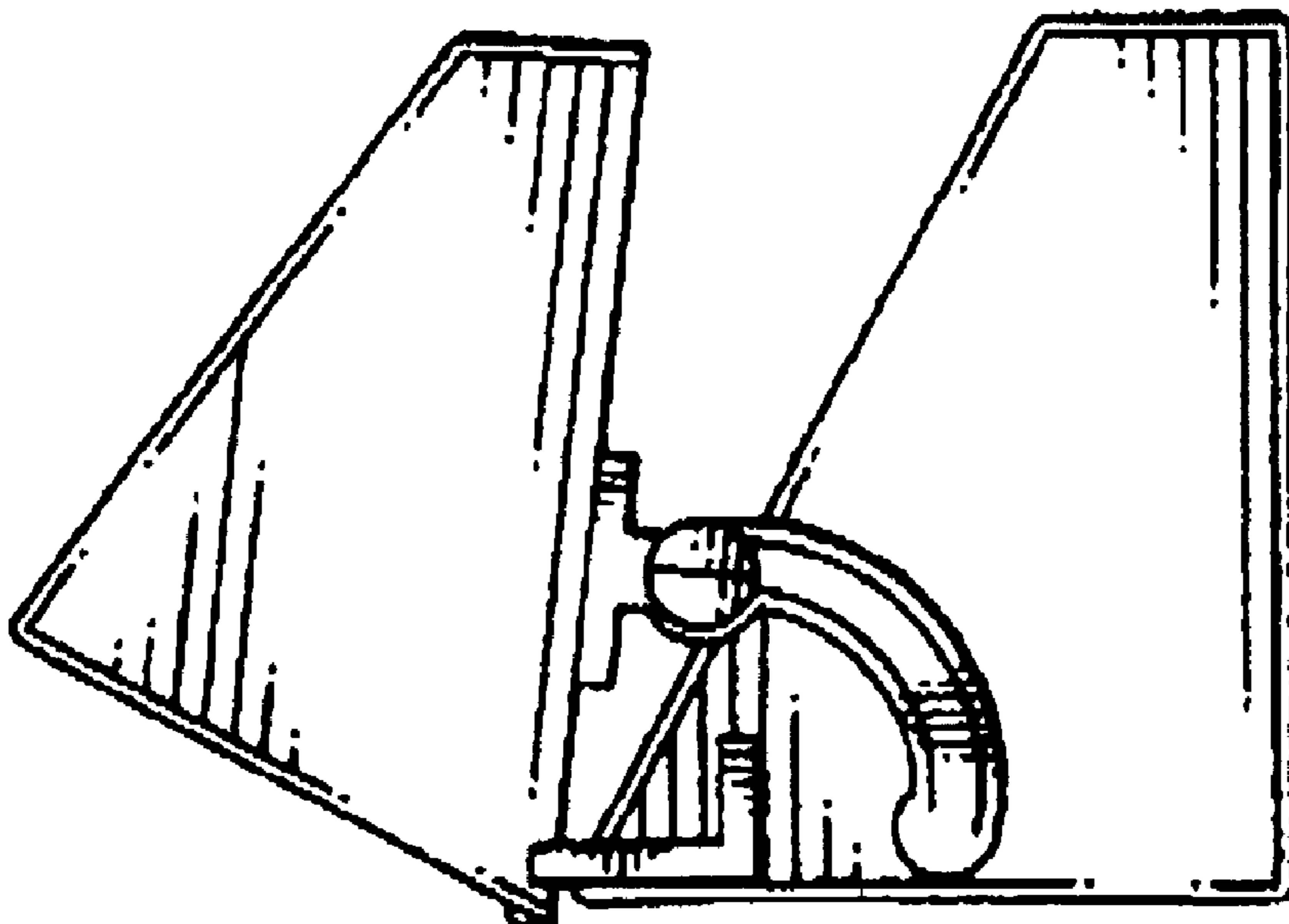


FIG. 1



**FIG. 4**



**FIG. 3**

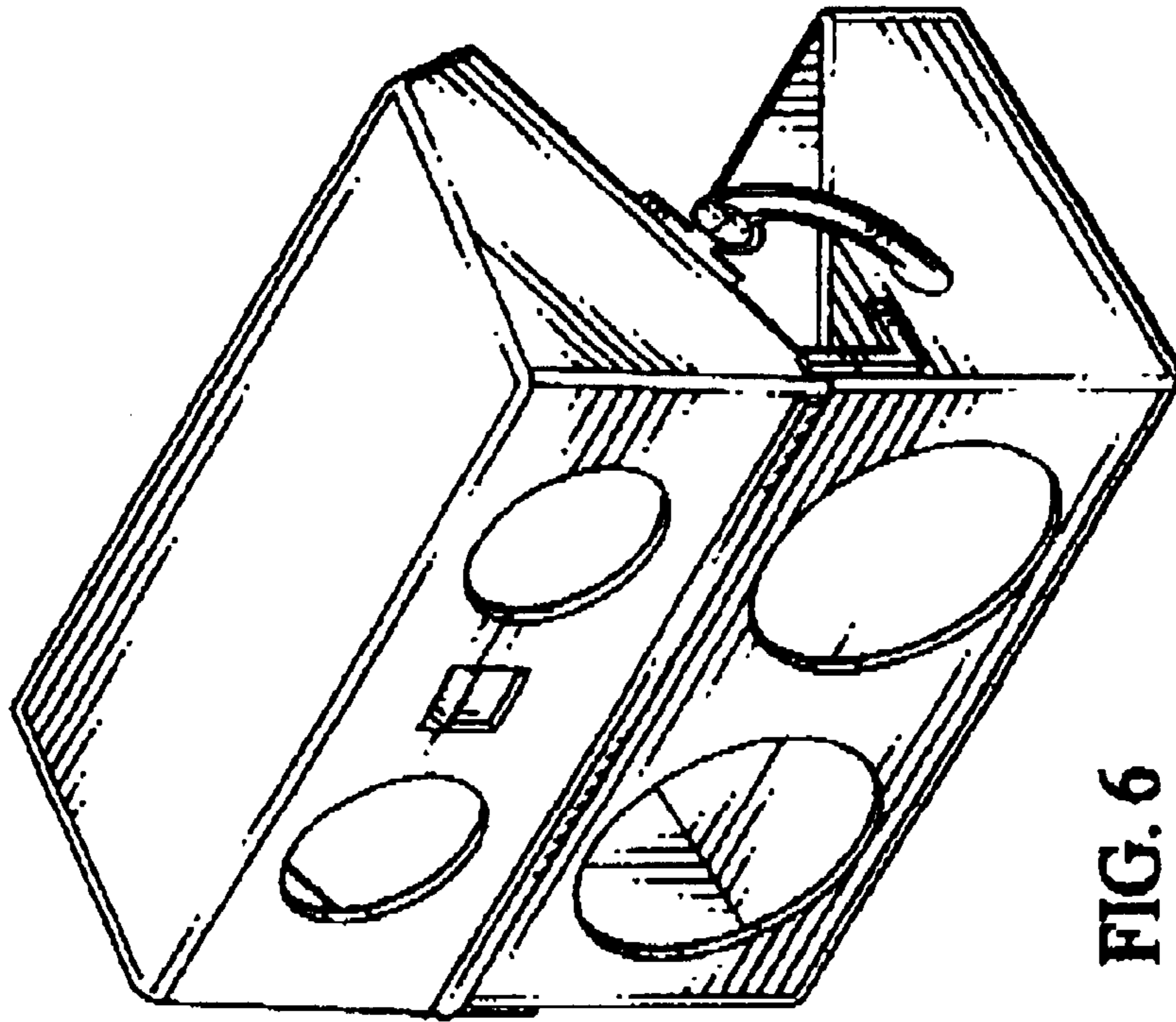


FIG. 6

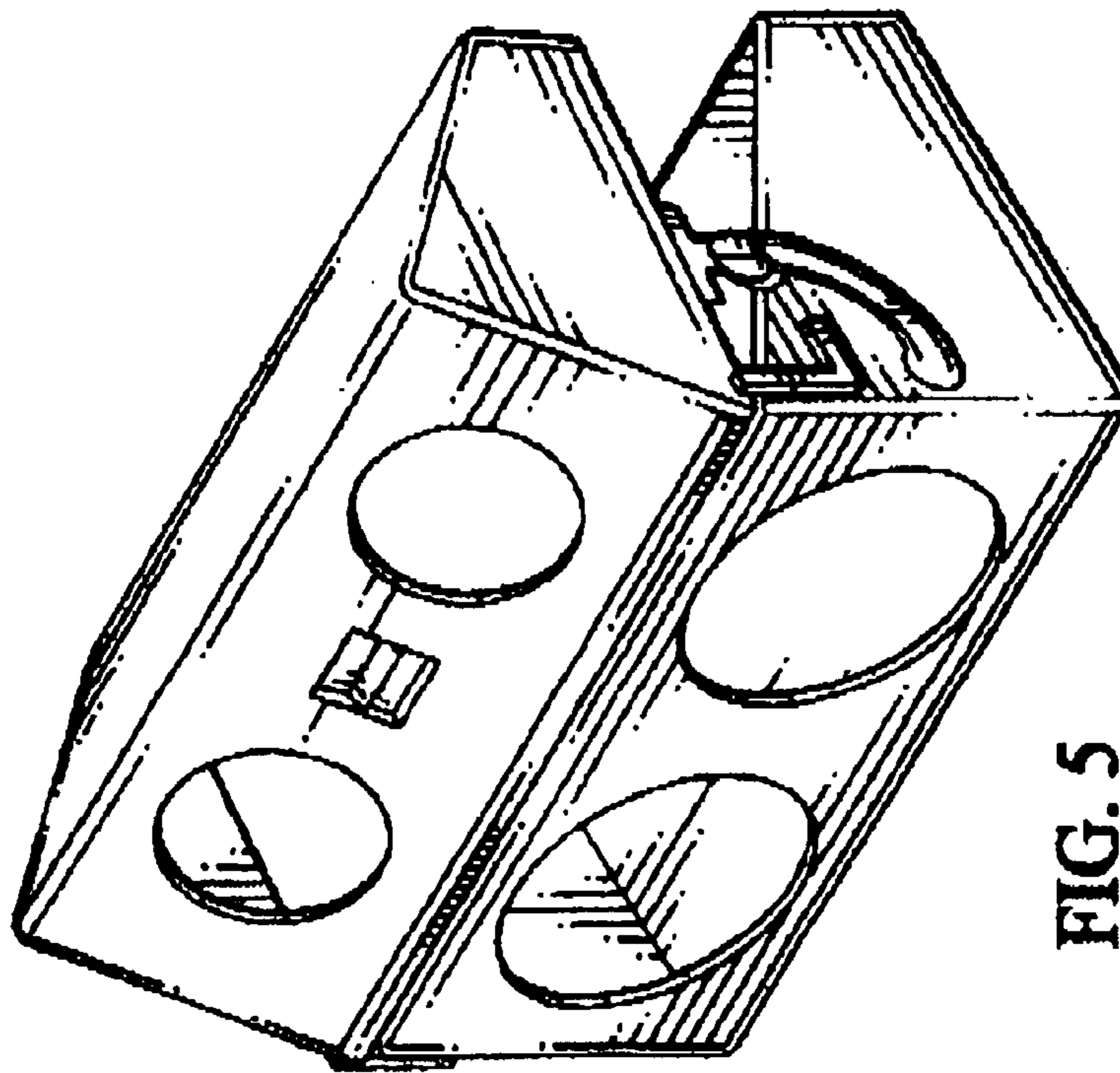


FIG. 5