



US00D522997S

(12) **United States Design Patent**
Hess

(10) **Patent No.:** **US D522,997 S**

(45) **Date of Patent:** **** Jun. 13, 2006**

(54) **LIGHT AND RADIO COMBINATION**

(75) Inventor: **Walter Hess**, San Jose, CA (US)

(73) Assignee: **Eton Corporation**, Palo Alto, CA (US)

(**) Term: **14 Years**

(21) Appl. No.: **29/220,446**

(22) Filed: **Dec. 30, 2004**

(51) **LOC (8) Cl.** **14-01**

(52) **U.S. Cl.** **D14/168; D14/196**

(58) **Field of Classification Search** D10/1,
D10/2, 15; D14/168, 170, 171, 188, 193-198;
455/344, 347, 350, 351; D26/34-51

See application file for complete search history.

(56) **References Cited**

U.S. PATENT DOCUMENTS

D247,780 S	*	4/1978	Kawano	D14/196
D248,472 S	*	7/1978	Kawano et al.	D14/194
D262,111 S	*	12/1981	Nakajima et al.	D14/196
D362,853 S	*	10/1995	Hanig	D14/171
D407,065 S	*	3/1999	Chang	D26/38

D430,138 S * 8/2000 Ben-Moshe D14/196

* cited by examiner

Primary Examiner—Nanda Bondade

(74) *Attorney, Agent, or Firm*—Jones Day; Brett Lovejoy

(57) **CLAIM**

The ornamental design for a light and radio combination, as shown and described.

DESCRIPTION

FIG. 1 is a front left perspective view of a light and radio combination showing my new design;

FIG. 2 is a rear perspective view thereof;

FIG. 3 is a front view thereof;

FIG. 4 is a rear view thereof;

FIG. 5 is a left side view thereof;

FIG. 6 is a right side view thereof;

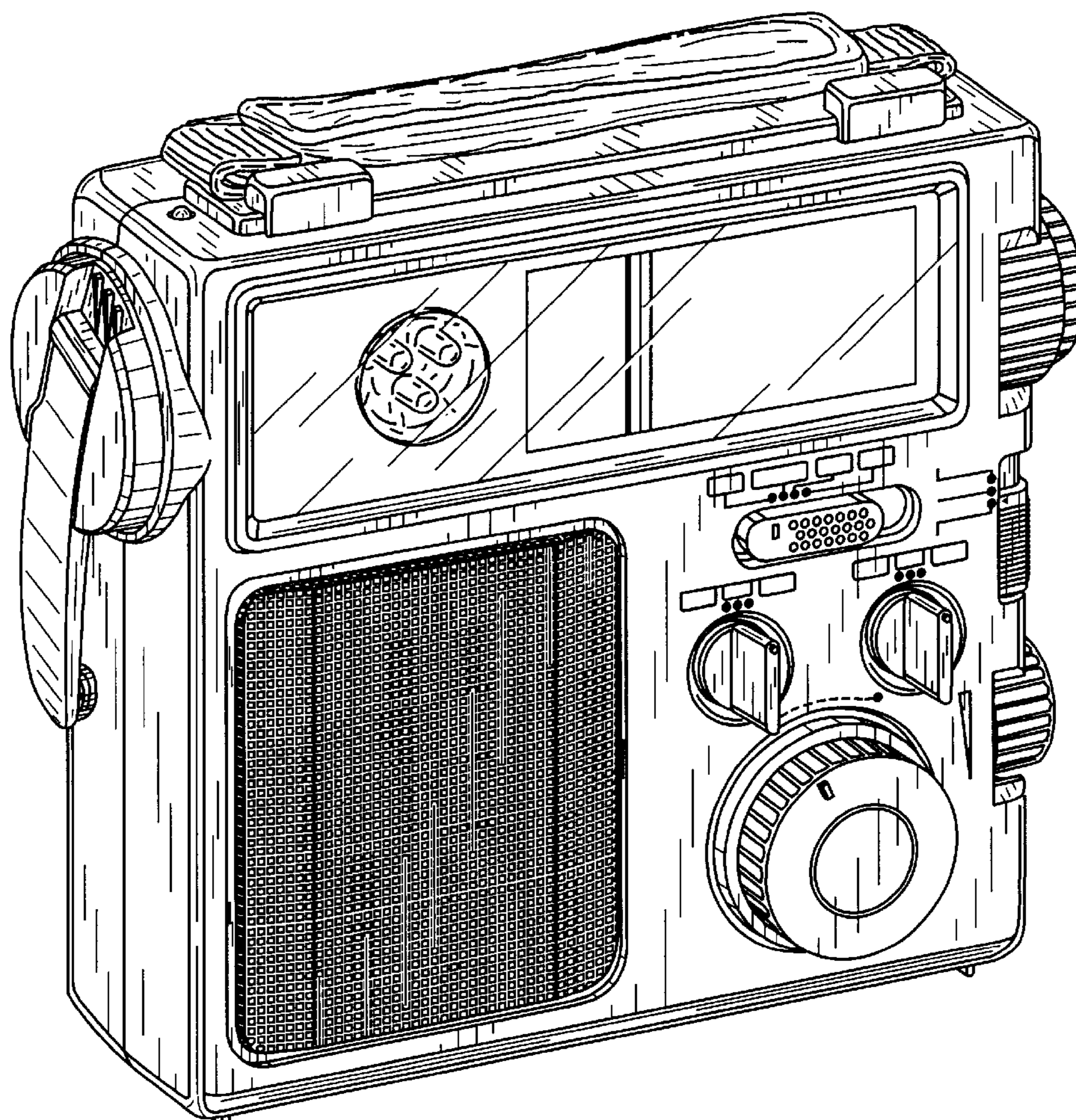
FIG. 7 is a top view thereof;

FIG. 8 is a bottom view thereof;

FIG. 9 is a front left perspective view thereof, with the handle in an alternate position; and,

FIG. 10 is a front right perspective view thereof.

1 Claim, 9 Drawing Sheets



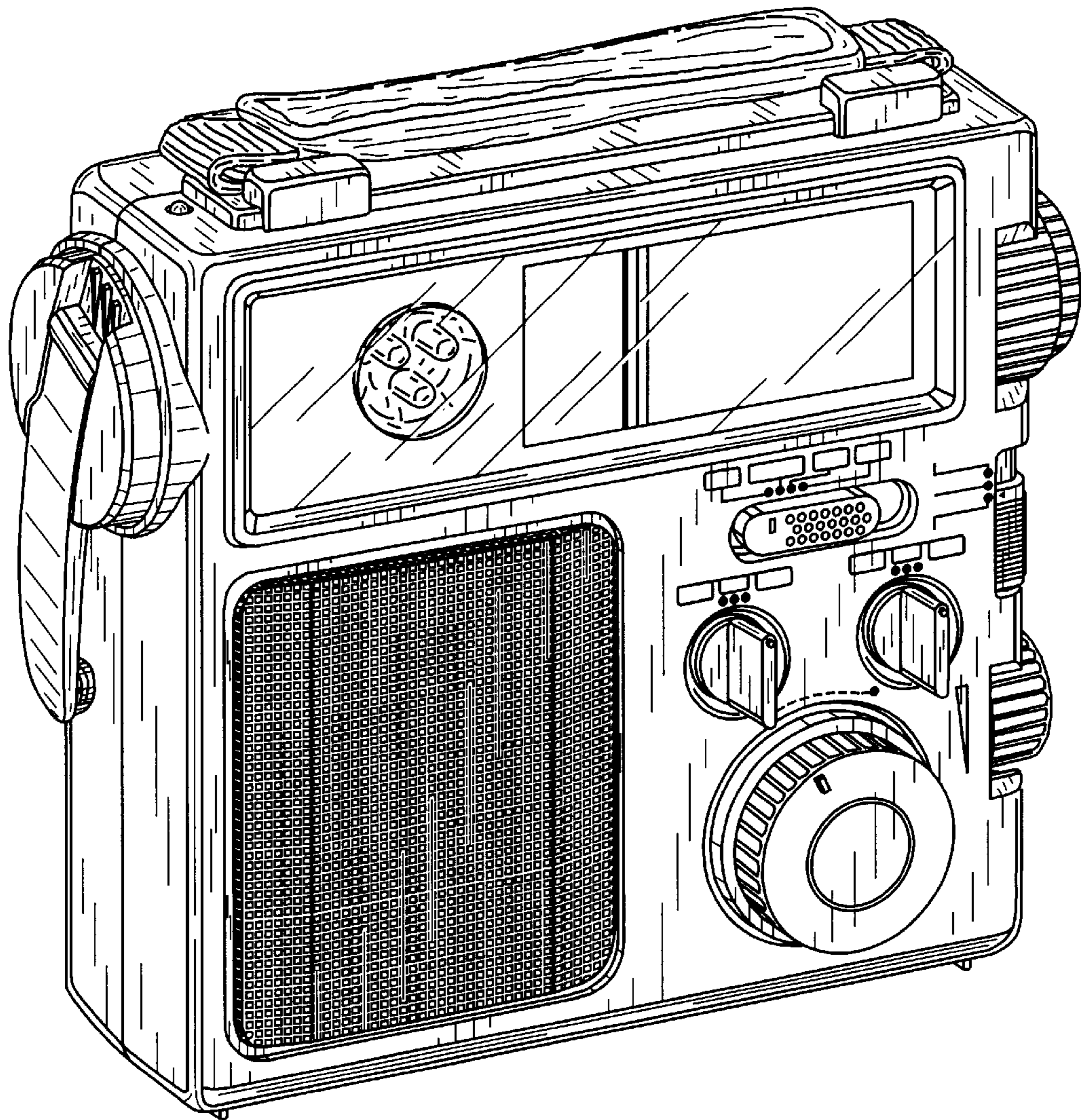


FIG. 1

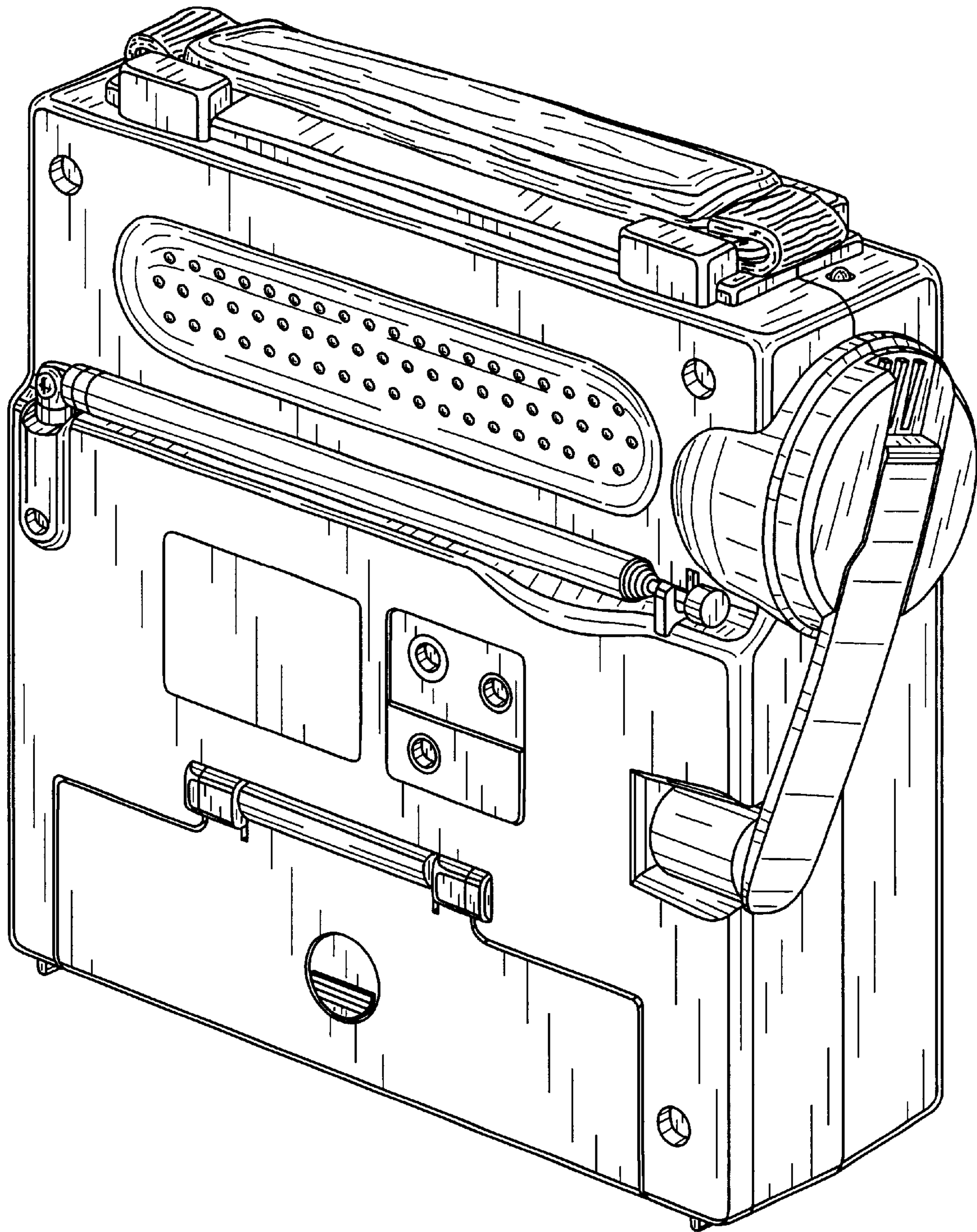


FIG. 2

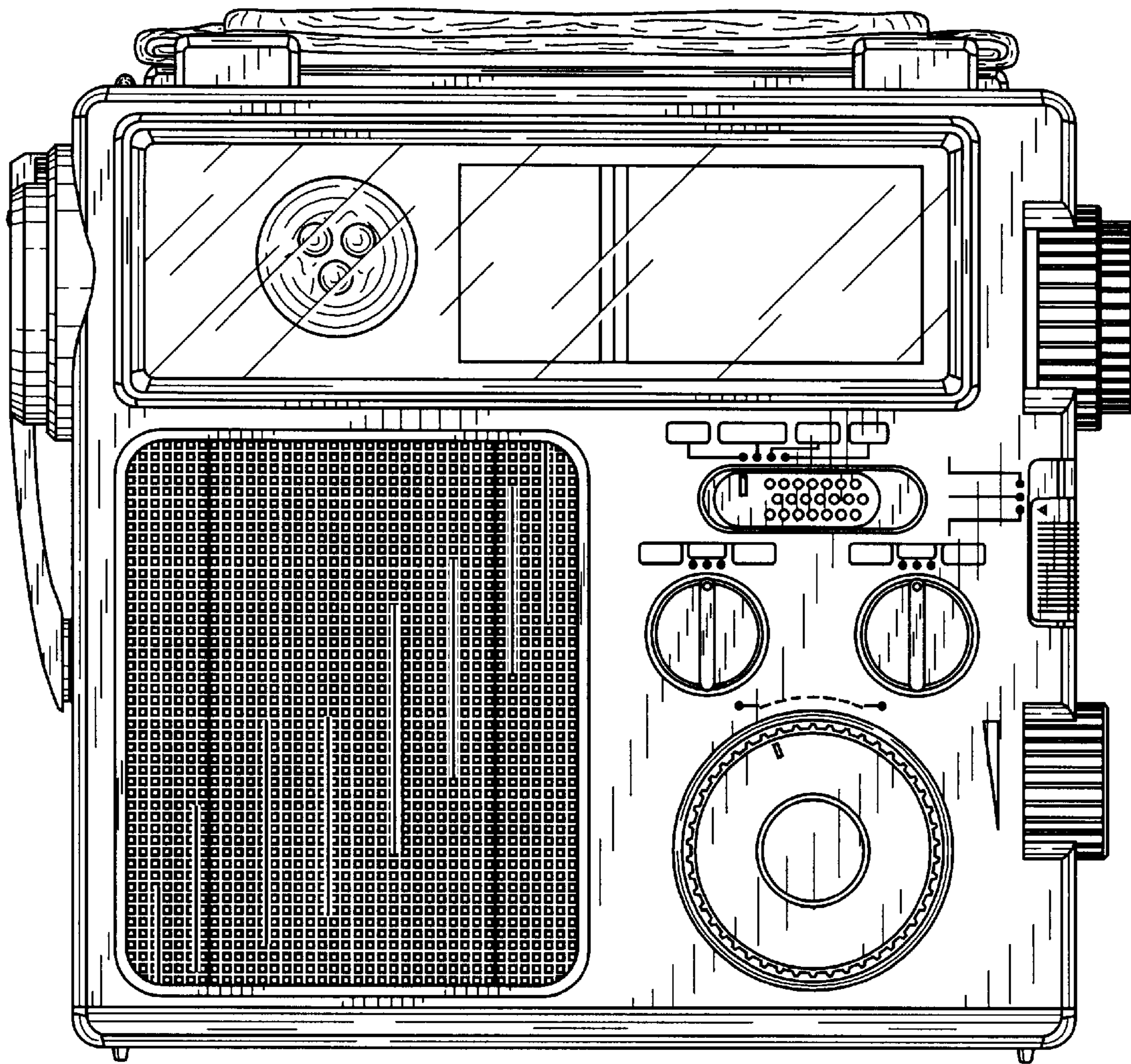


FIG. 3

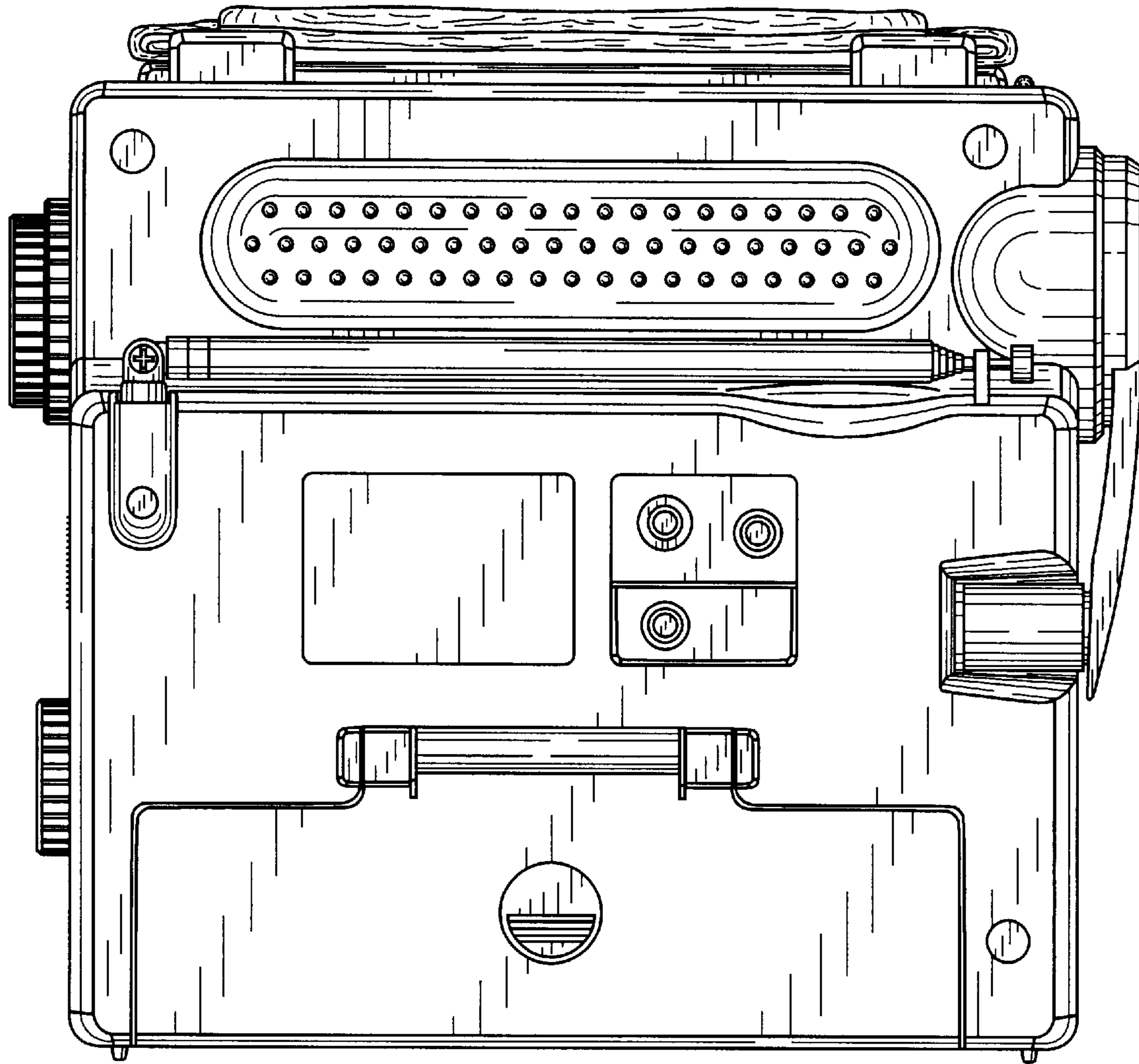


FIG. 4

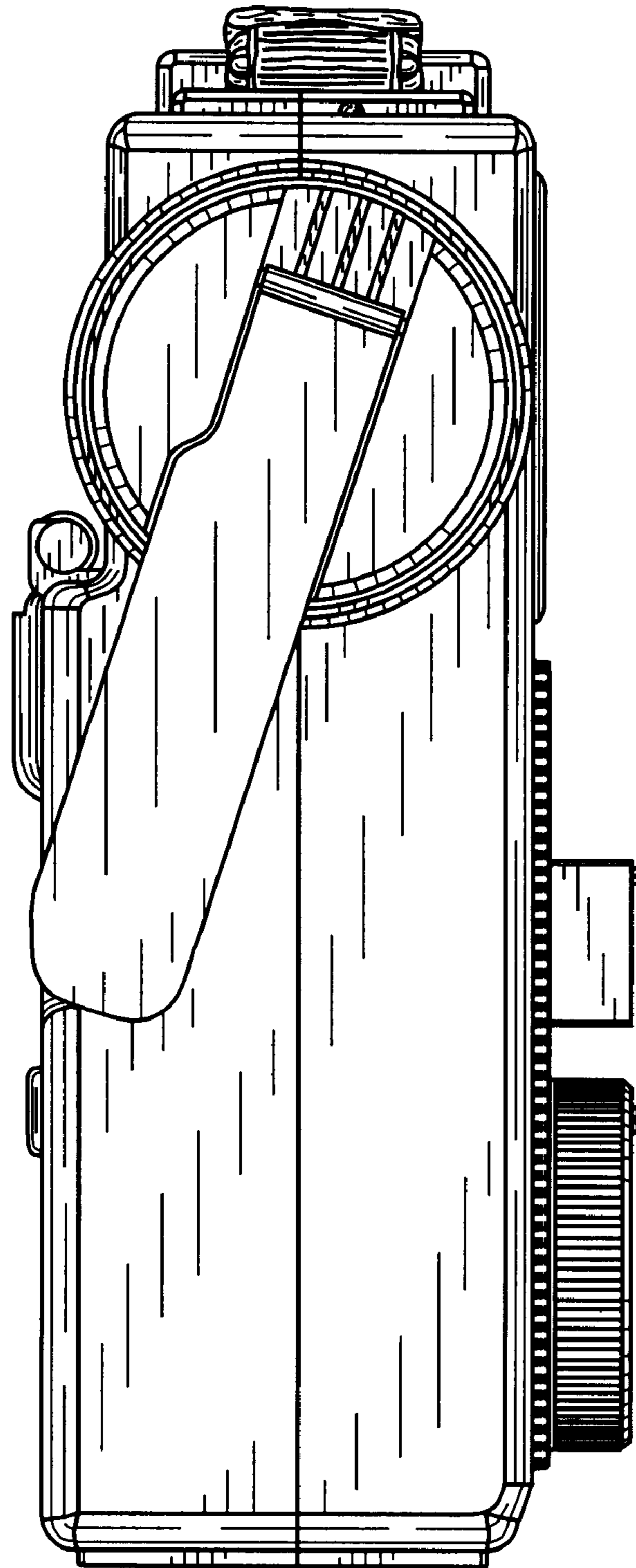


FIG. 5

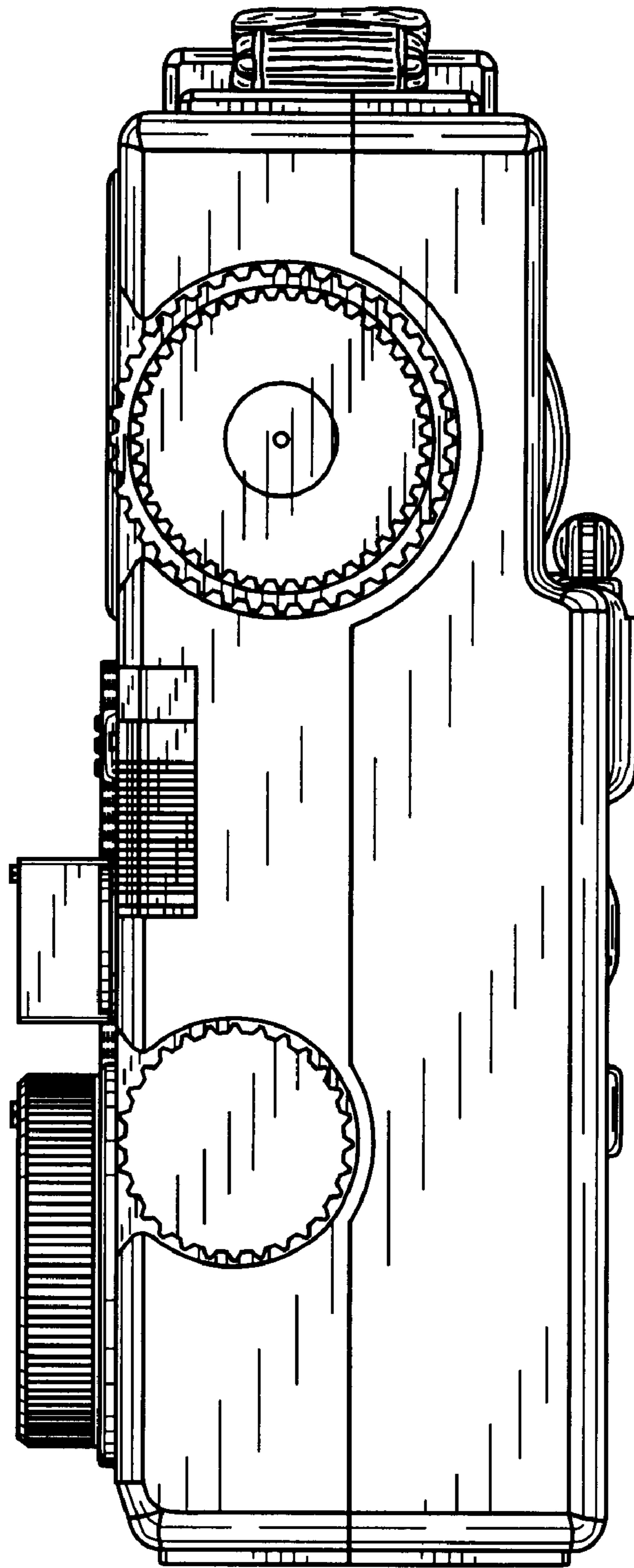


FIG. 6

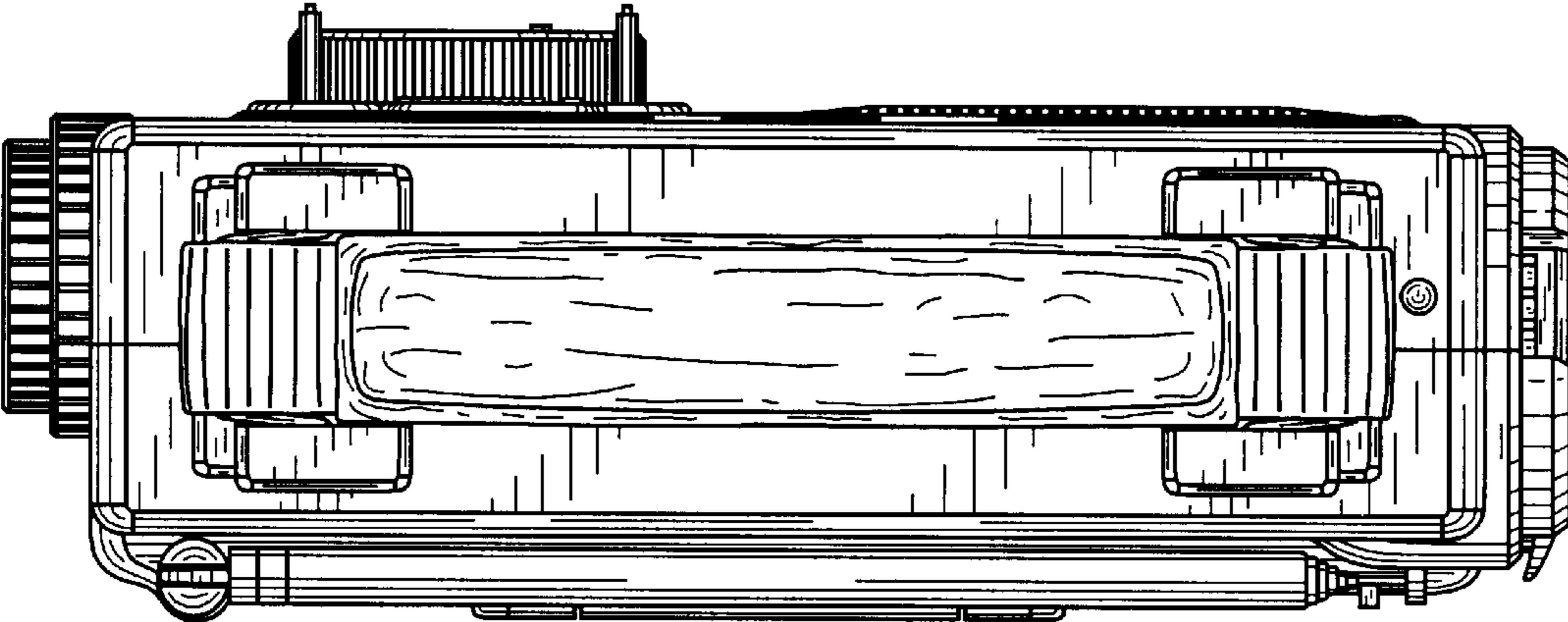


FIG. 7

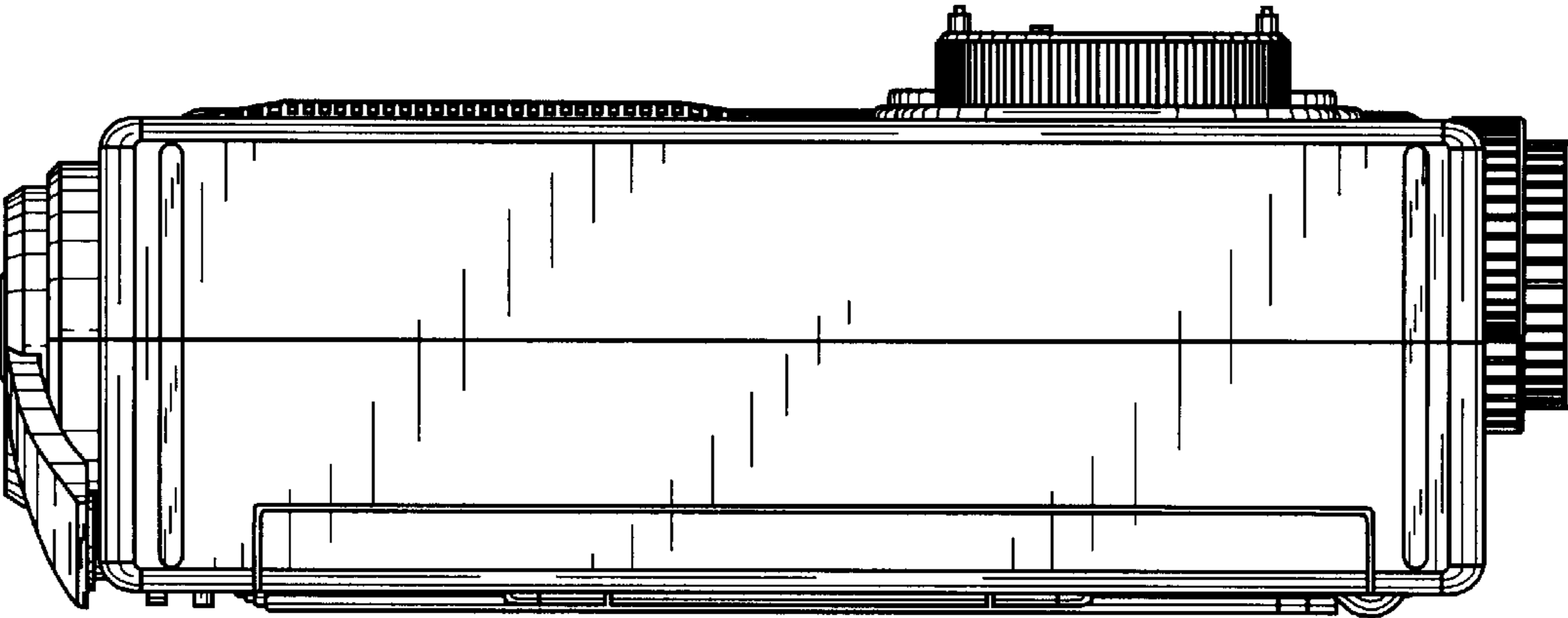


FIG. 8

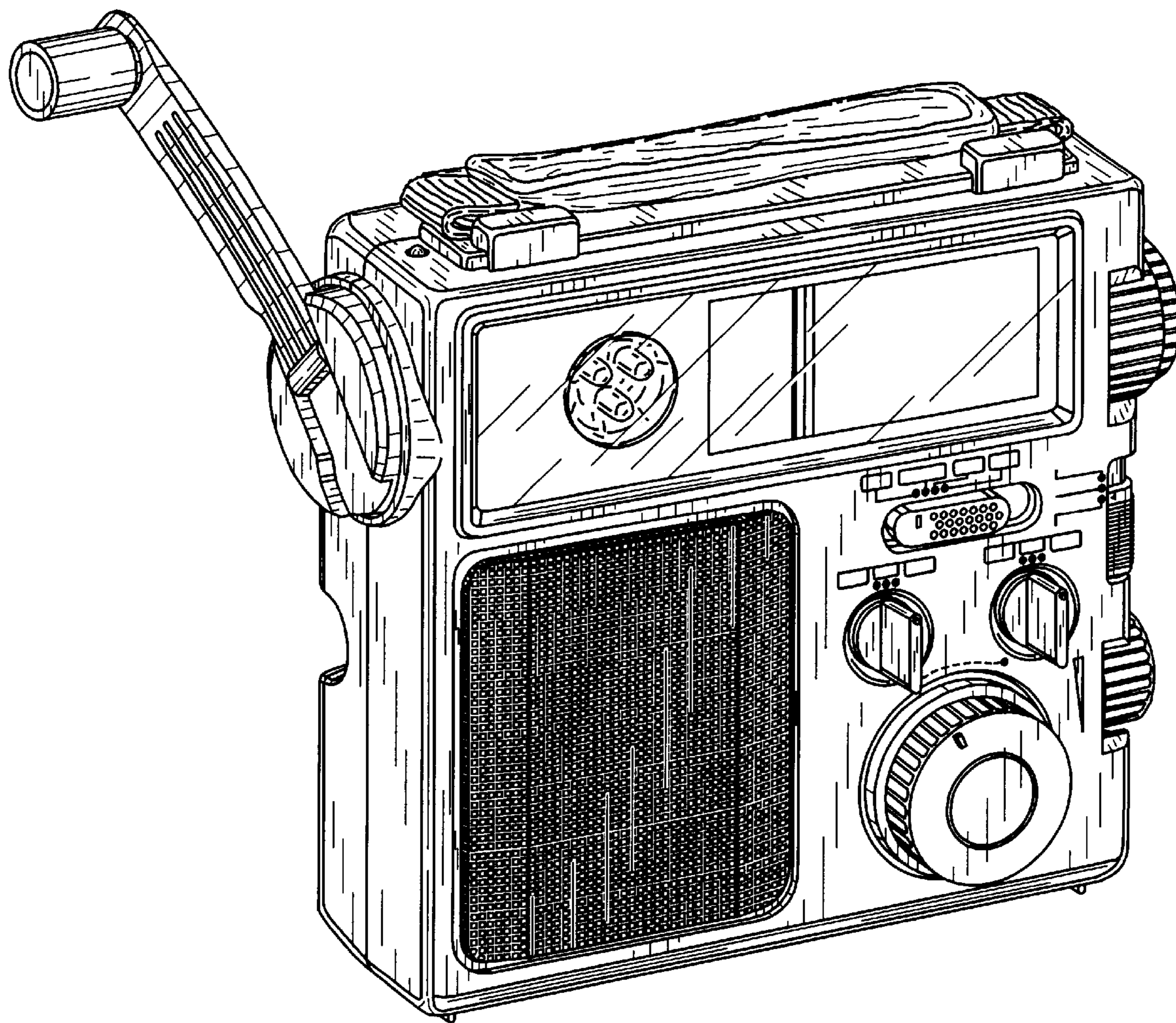


FIG. 9

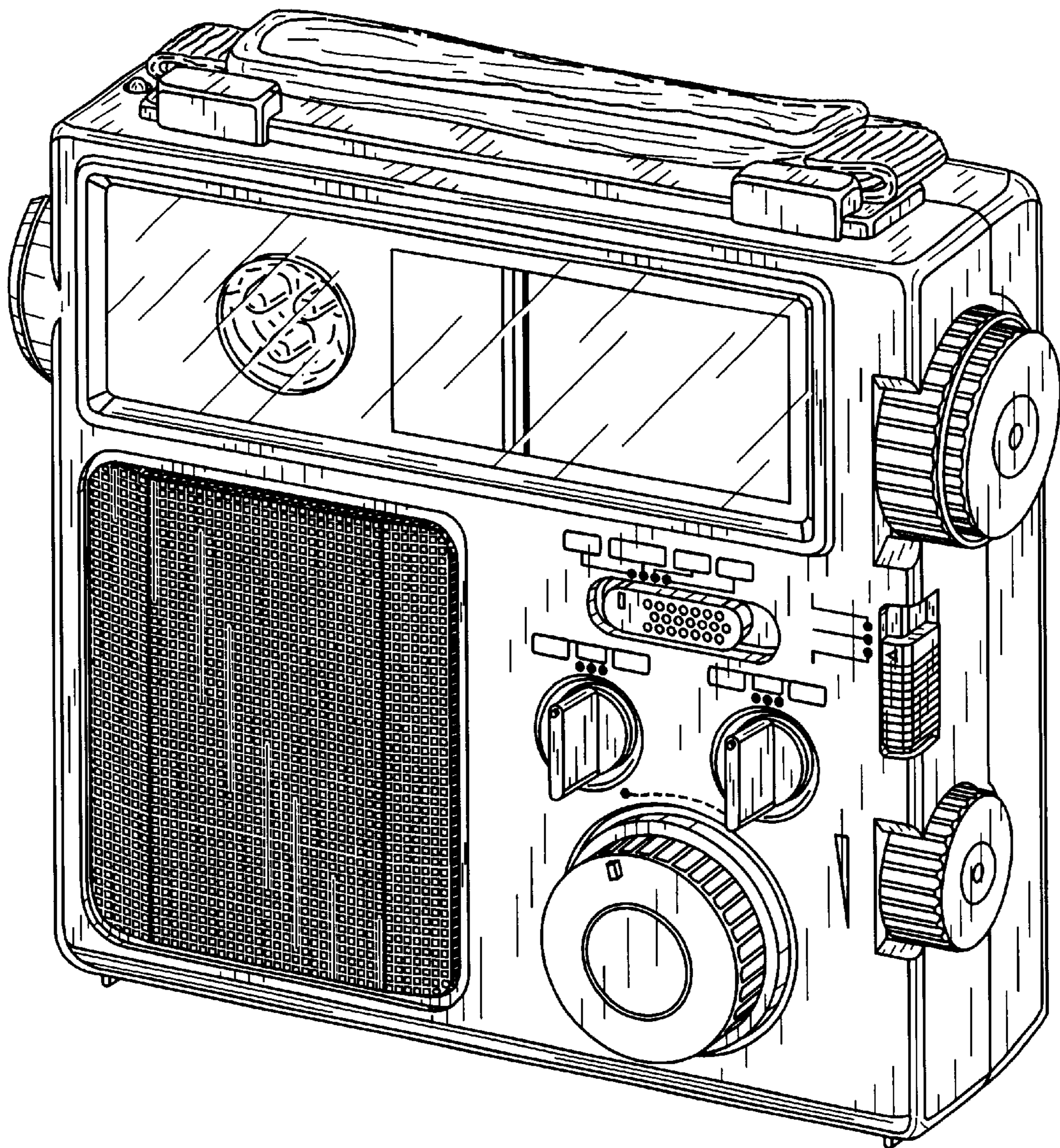


FIG. 10