



US00D522991S

(12) **United States Design Patent**
Yun et al.

(10) **Patent No.:** **US D522,991 S**
(45) **Date of Patent:** **** Jun. 13, 2006**

(54) **PORTABLE TELEPHONE**

(75) Inventors: **Joon-Ki Yun**, Seoul (KR);
Chang-Hwan Hwang, Seoul (KR);
Hyun-Seop Kim, Seoul (KR)

(73) Assignee: **Samsung Electronics Co., Ltd.**,
Kyunggi-do (KR)

(**) **Term:** **14 Years**

(21) **Appl. No.:** **29/226,461**

(22) **Filed:** **Mar. 29, 2005**

(51) **LOC (8) Cl.** **14-03**

(52) **U.S. Cl.** **D14/138**

(58) **Field of Classification Search** D14/137,
D14/138, 147-148, 247-248, 144, 341-347;
379/433.01-433.13, 434; D21/517; 455/575.3,
455/566, 575.1; 345/169; 348/376, 14.02
See application file for complete search history.

(56) **References Cited**

U.S. PATENT DOCUMENTS

5,027,394 A	6/1991	Ono et al.	
5,428,350 A	6/1995	Kurcbart et al.	
5,436,954 A	7/1995	Nishiyama et al.	
D407,716 S	4/1999	Park	
D407,717 S	4/1999	Kim	
D407,718 S	4/1999	Lee	
D410,920 S	6/1999	Lee et al.	
D411,537 S	6/1999	Lee	
D414,765 S	10/1999	Park	
D415,151 S	10/1999	Kim	
D415,488 S	10/1999	Lee	
6,069,648 A	5/2000	Suso et al.	
D431,827 S	10/2000	Yim	
D440,955 S *	4/2001	Tanaka et al.	D14/138
6,389,267 B1	5/2002	Imai	
6,396,924 B1	5/2002	Suso et al.	
D458,594 S	6/2002	Jang	
D465,466 S *	11/2002	Hyun	D14/138
D475,689 S *	6/2003	Shimazu et al.	D14/138
D477,293 S	7/2003	Hwang	
D477,296 S *	7/2003	Minamide	D14/138

D484,862 S	1/2004	Yang	
D484,863 S	1/2004	Chan	
D485,248 S *	1/2004	Ogawa	D14/138

(Continued)

FOREIGN PATENT DOCUMENTS

JP	D1154363	9/2002	
JP	1167430	* 3/2003	
JP	1188710	* 10/2003	
WO	DM/066629	* 5/2005	
WO	DM/066630	* 5/2005	

OTHER PUBLICATIONS

U.S. Appl. No. 29/204,878, Applicant: Bum-Soo Park, et al., filed May 5, 2004 entitled Portable Telephone.
U.S. Appl. No. 29/204,882, Applicant: Jin-Soo Kim, et al., filed May 5, 2004 entitled Portable Telephone.
U.S. Appl. No. 29/204,874, Applicant: Jin-Soo Kim, et al., filed May 5, 2004 entitled Portable Telephone.
U.S. Appl. No. 29/204,875, Applicant: Jin-Soo Kim, et al., filed May 5, 2004 entitled Portable Telephone.

(Continued)

Primary Examiner—Jeffrey Asch
(74) *Attorney, Agent, or Firm*—Fynn, Thiel, Boutell & Tanis, P.C.

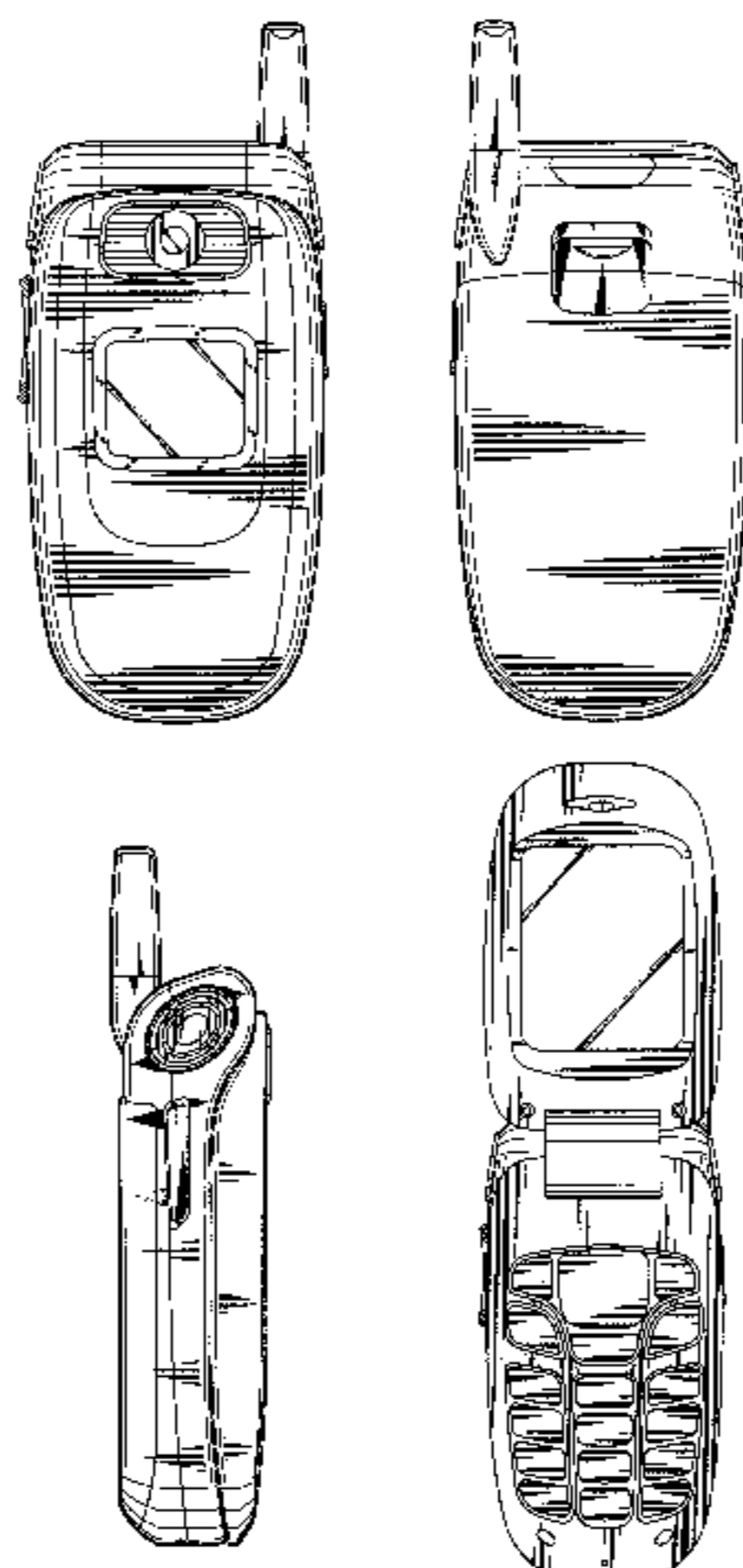
(57) **CLAIM**

The ornamental design for a portable telephone, as shown and described.

DESCRIPTION

FIG. 1. is a left side front perspective view of a portable telephone showing our new design.
FIG. 2. is a front elevational view thereof.
FIG. 3. is a rear elevational view thereof.
FIG. 4. is a left side elevational view thereof.
FIG. 5. is a right side elevational view thereof.
FIG. 6. is a top plan view thereof.
FIG. 7. is a bottom plan view thereof; and,
FIG. 8. is a front elevational view of using state thereof.

1 Claim, 7 Drawing Sheets



U.S. PATENT DOCUMENTS

D485,249	S	1/2004	Liao et al.	
D485,818	S	1/2004	Yabe et al.	
D486,811	S	2/2004	Lheem	
D487,443	S	* 3/2004	Yoon	D14/138
D487,444	S	3/2004	Yoon	
D488,453	S	4/2004	Chang et al.	
D489,698	S	5/2004	Kim et al.	
D489,699	S	5/2004	Hwang et al.	
D490,065	S	* 5/2004	Shimazu et al.	D14/138
D490,389	S	5/2004	Yang	
D491,906	S	6/2004	Okamatsu	
D491,907	S	6/2004	Ogawa	
D493,439	S	7/2004	Hong et al.	
D493,440	S	7/2004	Chou et al.	
D494,945	S	* 8/2004	Jang	D14/138
D495,672	S	9/2004	Jeon et al.	
D495,674	S	9/2004	Yoo et al.	
D496,020	S	9/2004	Lee	
D496,021	S	9/2004	Jang	
D496,347	S	* 9/2004	Choi et al.	D14/191
D497,604	S	* 10/2004	Lee	D14/138
D498,220	S	* 11/2004	Park	D14/138
D500,016	S	* 12/2004	Kim	D14/138
D500,481	S	* 1/2005	Kim et al.	D14/138
D500,993	S	1/2005	Hwang	
D501,189	S	* 1/2005	Lodato et al.	D14/138
D501,457	S	* 2/2005	Lee et al.	D14/138
D501,458	S	2/2005	Kim et al.	
D501,658	S	2/2005	Park et al.	
D501,837	S	2/2005	Kim et al.	
D501,838	S	2/2005	Kim et al.	
D501,839	S	* 2/2005	Lee et al.	D14/138
D502,161	S	2/2005	Kim et al.	
D502,458	S	* 3/2005	Chung et al.	D14/138
D503,164	S	3/2005	Park et al.	
D504,406	S	4/2005	Cho et al.	
D505,125	S	* 5/2005	Ahn et al.	D14/138
D505,126	S	* 5/2005	Ahn et al.	D14/138
D506,454	S	6/2005	Kim et al.	
D506,738	S	6/2005	Kim et al.	
D507,252	S	7/2005	Kim et al.	
D507,552	S	* 7/2005	Liang	D14/138
D507,787	S	* 7/2005	Ahn et al.	D14/138
D508,030	S	* 8/2005	Jeoung et al.	D14/138
D508,033	S	* 8/2005	Kim et al.	D14/138
D508,034	S	* 8/2005	Liao	D14/138
D508,684	S	* 8/2005	Lee et al.	D14/138
D508,686	S	* 8/2005	Kim et al.	D14/138
D510,078	S	* 9/2005	Lee et al.	D14/138
D510,733	S	* 10/2005	Lee et al.	D14/138
2001/0036845	A1	11/2001	Park	
2002/0187818	A1	12/2002	Kang	
2003/0109232	A1	6/2003	Park et al.	
2004/0009790	A1	1/2004	Im	
2004/0023684	A1	2/2004	Sato et al.	
2004/0097258	A1	5/2004	Lee et al.	
2004/0097262	A1	5/2004	Lee	
2004/0132513	A1	7/2004	Taneda et al.	
2004/0142718	A1	7/2004	Kim	
2004/0142734	A1	7/2004	Kim	

OTHER PUBLICATIONS

U.S. Appl. No. 29/204,883, Applicant: Jin-Soo Kim, et al., filed May 5, 2004 entitled Portable Telephone.

U.S. Appl. No. 29/205,555, Applicant: Chi-Young Ahn, et al., filed May 17, 2004 entitled Portable Telephone.

U.S. Appl. No. 29/205,559, Applicant: Chi-Young Ahn, et al., filed May 17, 2004 entitled Portable Telephone.

U.S. Appl. No. 29/205,546, Applicant: Chi-Young Ahn, et al., filed May 17, 2004 entitled Portable Telephone.

U.S. Appl. No. 29/214,253, Applicant: Hye-Jeong Lee, et al., filed Sep. 27, 2004 entitled Portable Telephone.

U.S. Appl. No. 29/216,563, Applicant: Jin-Soo Kim, et al., filed Nov. 4, 2004 entitled Portable Telephone.

U.S. Appl. No. 29/226,417, Applicant: Jin-Soo Kim, et al., filed Mar. 29, 2005 entitled Portable Telephone.

U.S. Appl. No. 29/226,418, Applicant: Ji-Hyun Moon, et al., filed Mar. 29, 2005 entitled Portable Telephone.

U.S. Appl. No. 29/226,419, Applicant: Min-Ah Koh, et al., filed Mar. 29, 2005 entitled Portable Telephone.

U.S. Appl. No. 29/226,420, Applicant: Min-Hyouk Lee, et al., filed Mar. 29, 2005 entitled Portable Telephone.

U.S. Appl. No. 29/226,442, Applicant: Min-Hyouk Lee, et al., filed Mar. 29, 2005 entitled Portable Telephone.

U.S. Appl. No. 29/226,443, Applicant: Jin-Soo Kim, et al., filed Mar. 29, 2005 entitled Portable Telephone.

U.S. Appl. No. 29/226,470, Applicant: Nam-Su Kim, et al., filed Mar. 29, 2005 entitled Portable Telephone.

U.S. Appl. No. 29/226,474, Applicant: Nam-Su Kim, et al., filed Mar. 29, 2005 entitled Portable Telephone.

U.S. Appl. No. 29/226,460, Applicant: Nam-Su Kim, et al., filed Mar. 29, 2005 entitled Portable Telephone.

U.S. Appl. No. 29/226,462, Applicant: Yu-Guen Kim, et al., filed Mar. 29, 2005 entitled Portable Telephone.

U.S. Appl. No. 29/226,463, Applicant: Jin-Soo Kim, et al., filed Mar. 29, 2005 entitled Portable Telephone.

U.S. Appl. No. 29/226,465, Applicant: Ki-Eon Lee, et al., filed Mar. 29, 2005 entitled Portable Telephone.

U.S. Appl. No. 29/226,464, Applicant: Joon-Ki Yun, et al., filed Mar. 29, 2005 entitled Portable Telephone.

U.S. Appl. No. 29/226,454, Applicant: Woo-Seung Han, et al., filed Mar. 29, 2005 entitled Portable Telephone.

U.S. Appl. No. 29/226,455, Applicant: Woo-Seung Han, et al., filed Mar. 29, 2005 entitled Portable Telephone.

U.S. Appl. No. 29/226,982, Applicant: Yu-Guen Kim, et al., filed Apr. 5, 2005 entitled Portable Telephone.

U.S. Appl. No. 29/226,990, Applicant: Yu-Guen Kim, et al., filed Apr. 5, 2005 entitled Portable Telephone.

U.S. Appl. No. 29/227,339, Applicant: Joon-Suh Kim, et al., filed Apr. 7, 2005 entitled Portable Telephone.

U.S. Appl. No. 29/227,338, Applicant: Joon-Suh Kim, et al., filed Apr. 7, 2005 entitled Portable Telephone.

U.S. Appl. No. 29/227,258, Applicant: Min-Ah Koh, et al., filed Apr. 8, 2005 entitled Portable Telephone.

U.S. Appl. No. 29/219,068, Applicant: Dae-Yoeb Park, et al., filed Dec. 10, 2004 entitled Portable Telephone.

U.S. Appl. No. 29/224,584, Applicant: Ha-Youl Jung, et al., filed Mar. 3, 2005 entitled Portable Telephone.

* cited by examiner

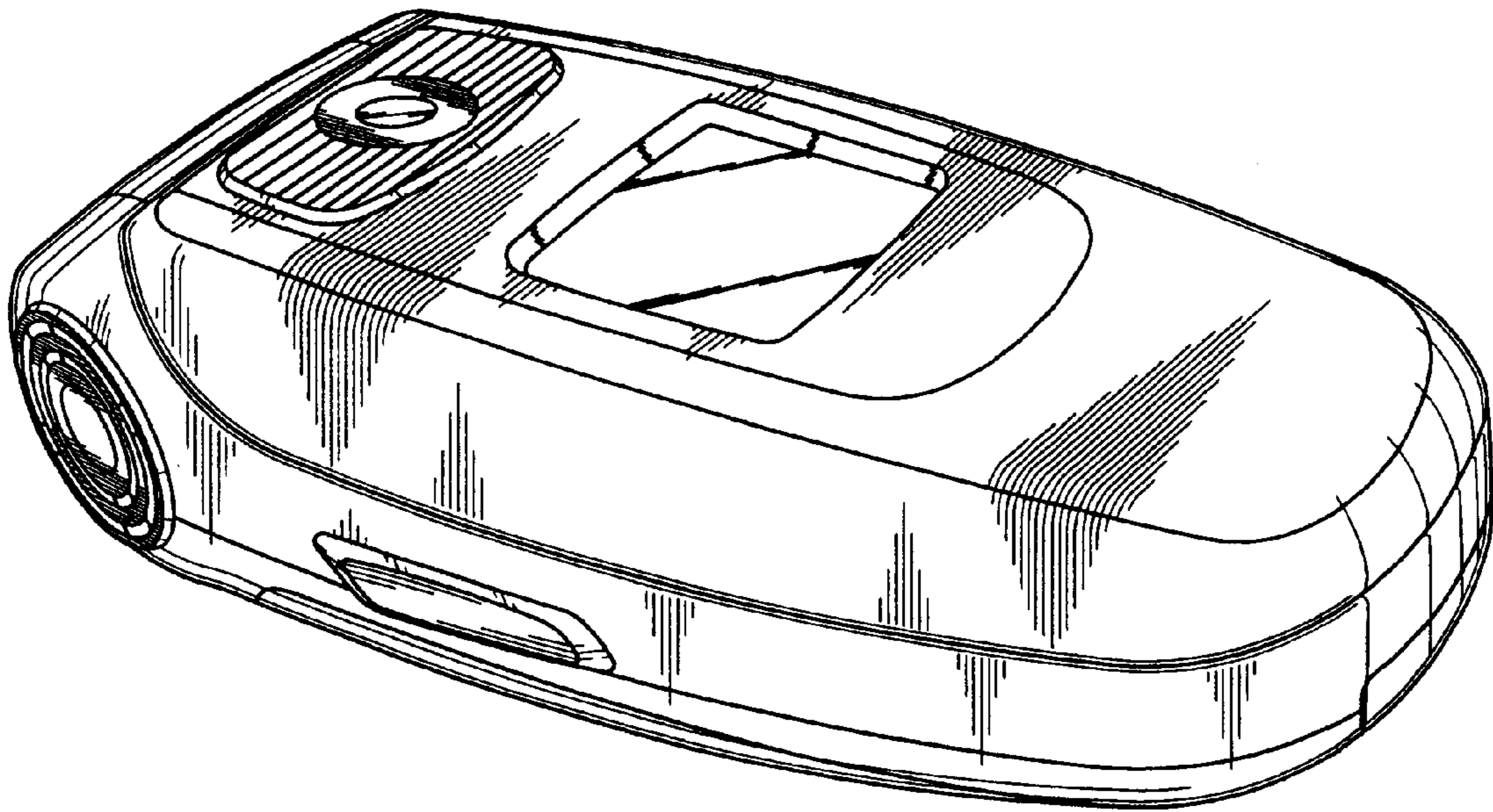


FIG. 1

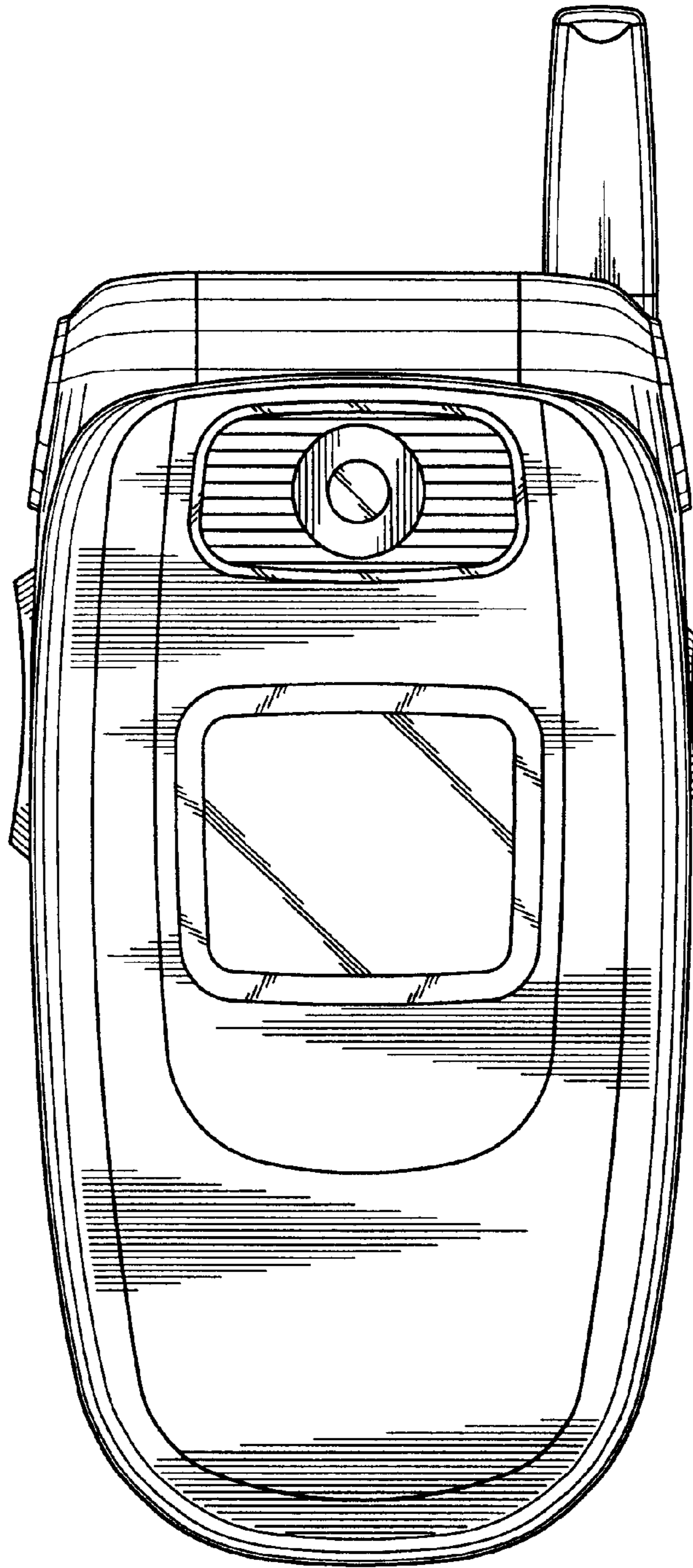


FIG. 2

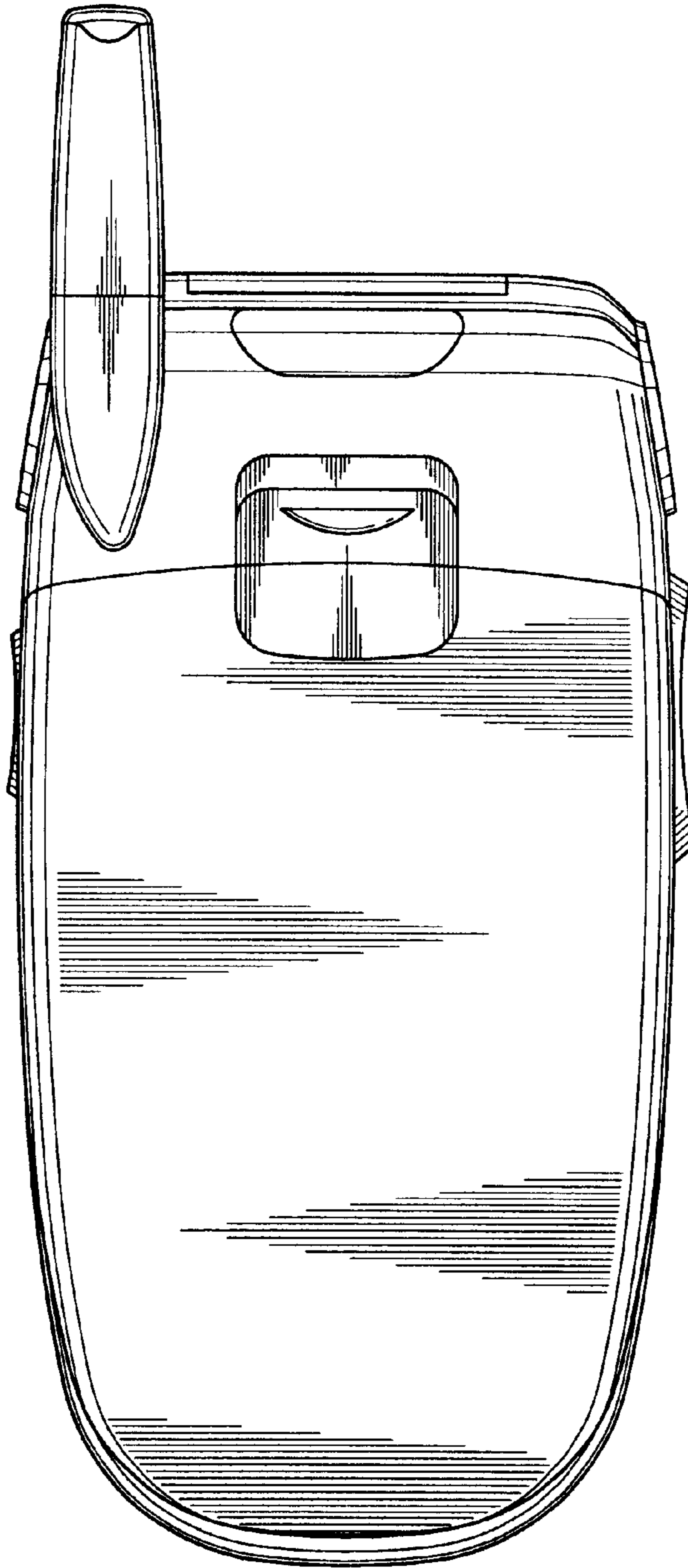


FIG. 3

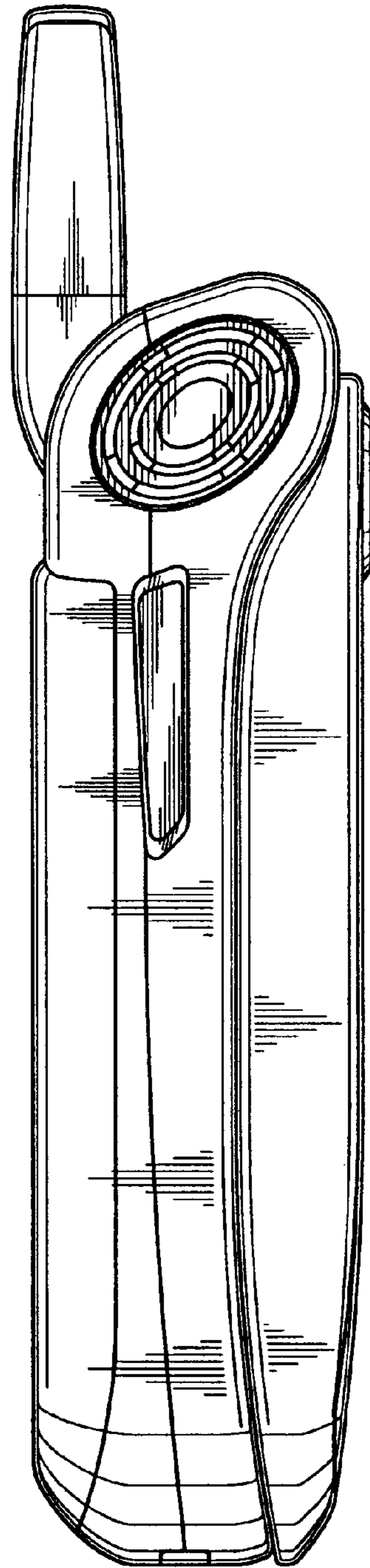


FIG. 4

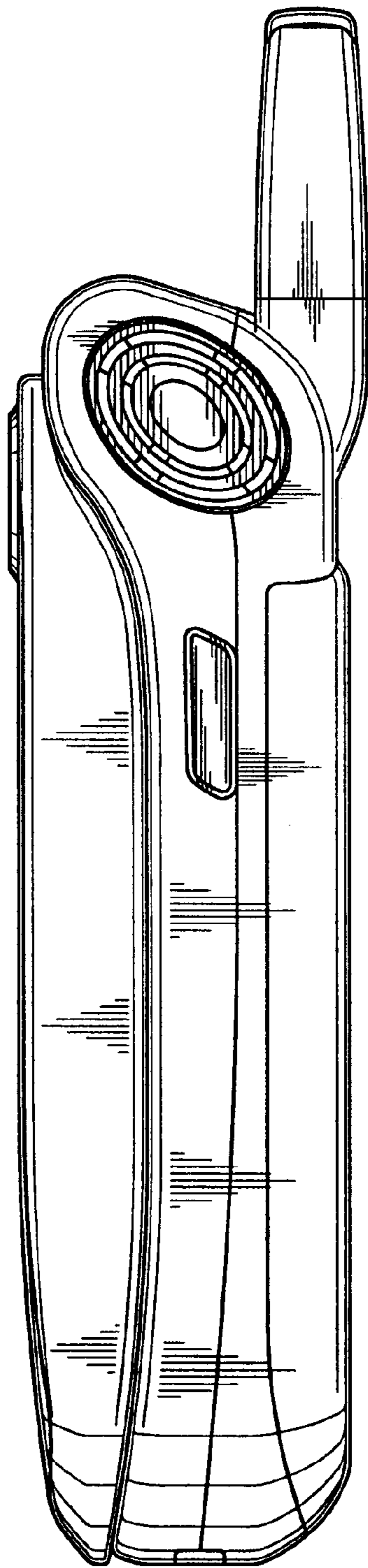


FIG. 5

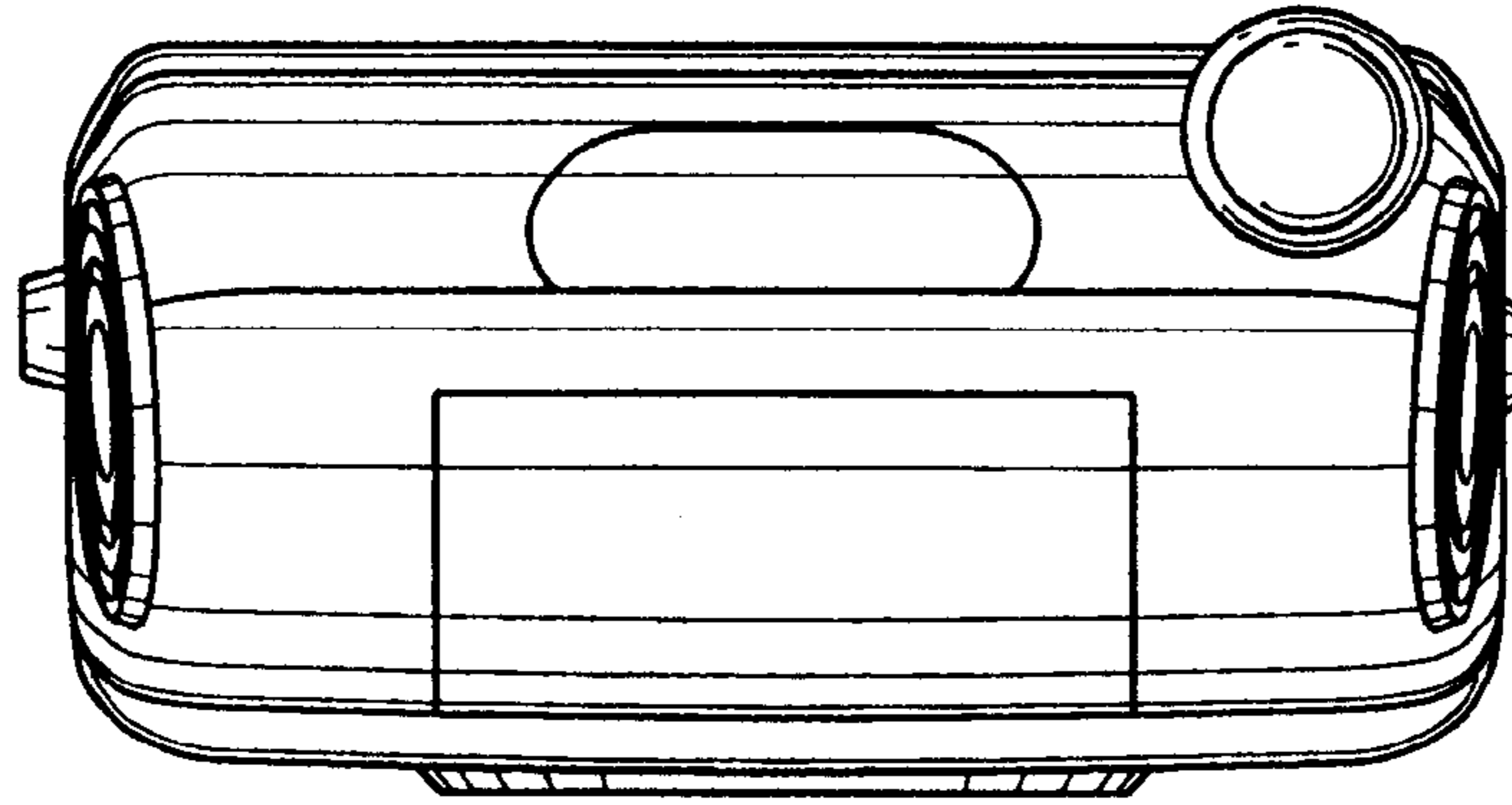


FIG. 6

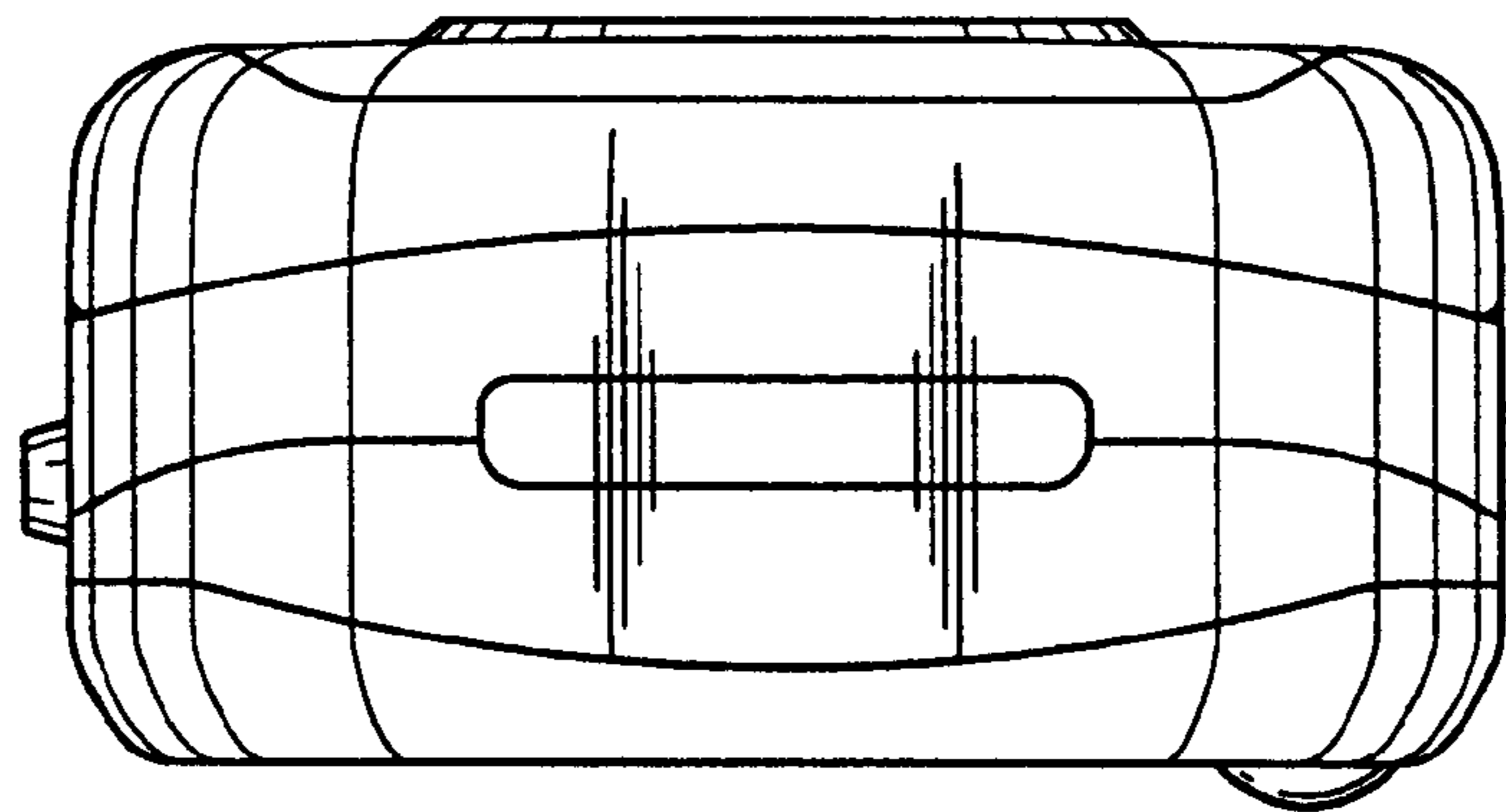


FIG. 7

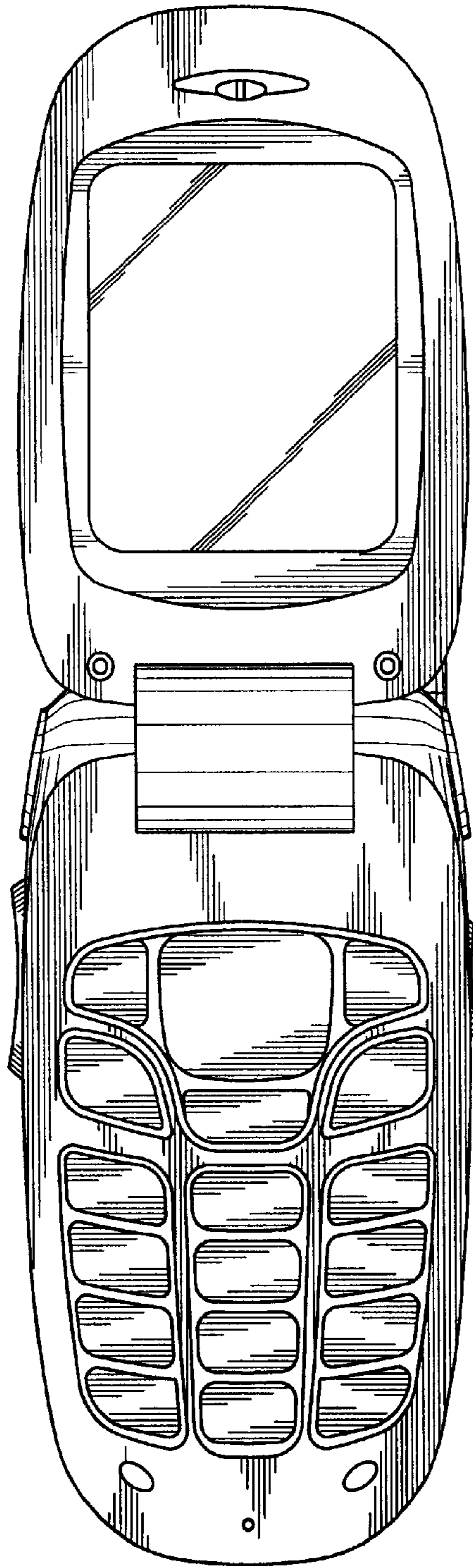


FIG. 8