



US00D522984S

(12) **United States Design Patent**  
**Rhoades et al.**

(10) **Patent No.:** **US D522,984 S**  
(45) **Date of Patent:** **\*\* Jun. 13, 2006**

(54) **TELEVISION SET**  
(75) Inventors: **Matthew Rhoades**, Sunnyvale, CA  
(US); **Kyle Naydo**, Sunnyvale, CA (US)

(73) Assignee: **Hannspree, Inc.**, Taipei (TW)

(\*\*) Term: **14 Years**

(21) Appl. No.: **29/230,648**

(22) Filed: **May 25, 2005**

(30) **Foreign Application Priority Data**

Dec. 15, 2004 (TW) ..... 93307727

(51) **LOC (8) Cl.** ..... **14-03**

(52) **U.S. Cl.** ..... **D14/126; D14/132**

(58) **Field of Classification Search** ..... D14/125-134,  
D14/239, 371, 136, 374-377; 312/7.2; 348/836,  
348/838, 180, 184, 325, 739; 341/12; 248/917-924,  
248/465; 345/104, 133, 156, 168, 87, 173;  
720/605, 669, 600, 655; 369/99, 197; 455/344-347  
See application file for complete search history.

(56) **References Cited**

**U.S. PATENT DOCUMENTS**

D462,074 S \* 8/2002 Kim ..... D14/375

D470,140 S \* 2/2003 Lin ..... D14/375  
D470,141 S \* 2/2003 Lin ..... D14/376  
D482,035 S \* 11/2003 Olson et al. .... D14/375  
D484,131 S \* 12/2003 Olson et al. .... D14/375  
D488,812 S \* 4/2004 Chiu ..... D14/375

\* cited by examiner

*Primary Examiner*—Raphael Barkai  
(74) *Attorney, Agent, or Firm*—Bacon & Thomas, PLLC

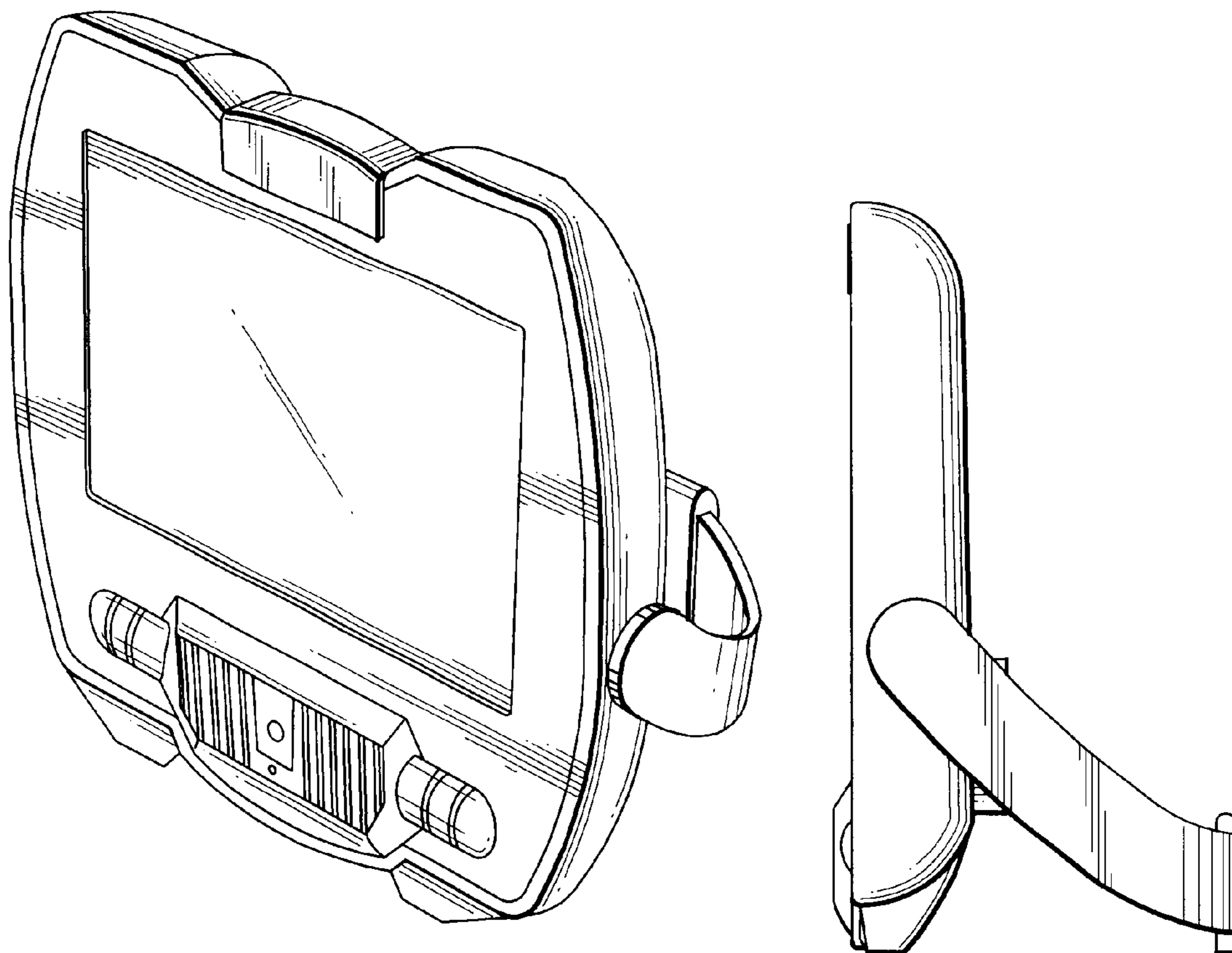
(57) **CLAIM**

The ornamental design for a television set, as shown and described.

**DESCRIPTION**

FIG. 1 is a perspective view of a television set showing our new design;  
FIG. 2 is a front view thereof;  
FIG. 3 is a rear view thereof;  
FIG. 4 is a left side view thereof;  
FIG. 5 is a right side view thereof;  
FIG. 6 is a top plan view thereof; and,  
FIG. 7 is a bottom plan view thereof.

**1 Claim, 3 Drawing Sheets**



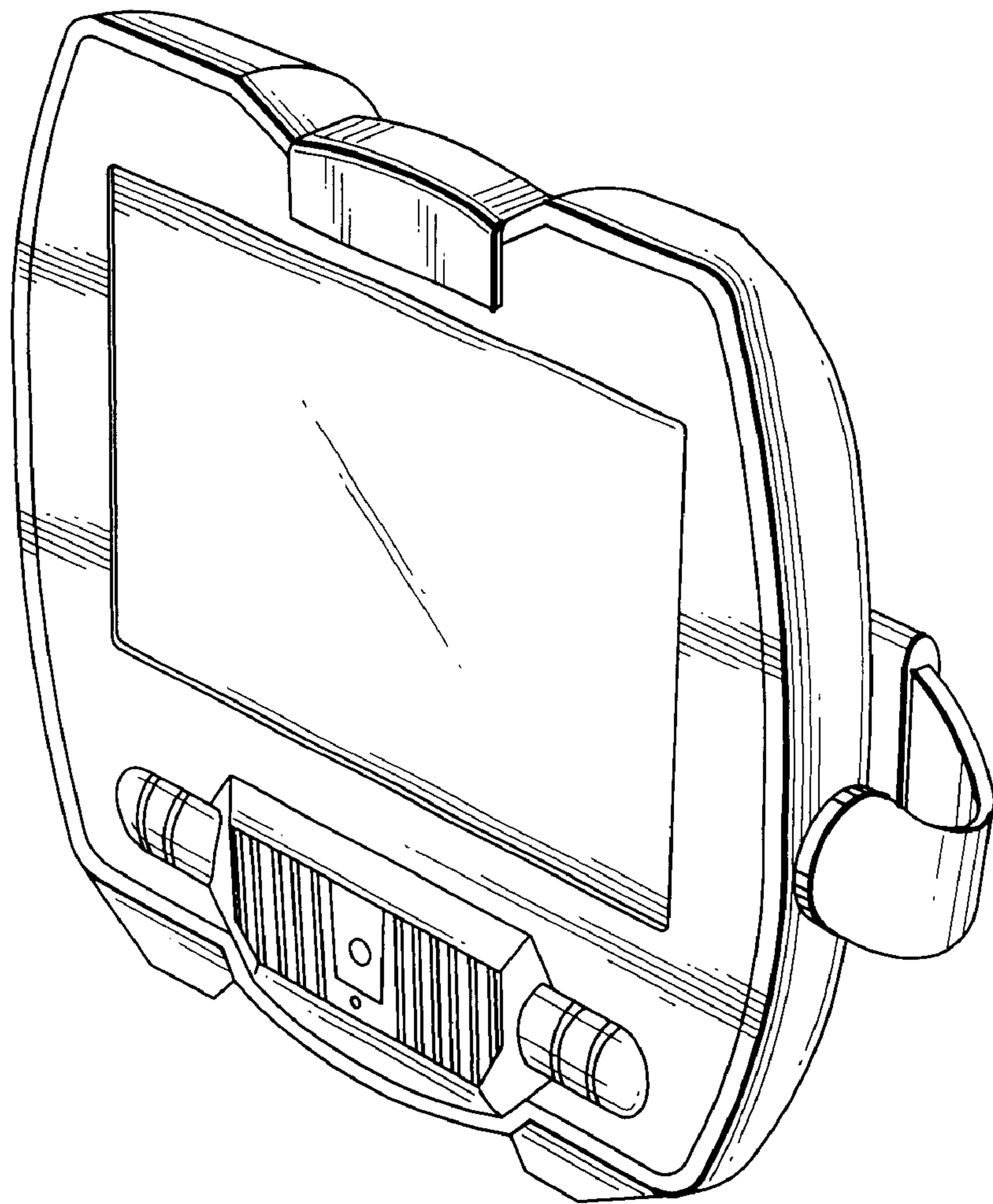


FIG. 1

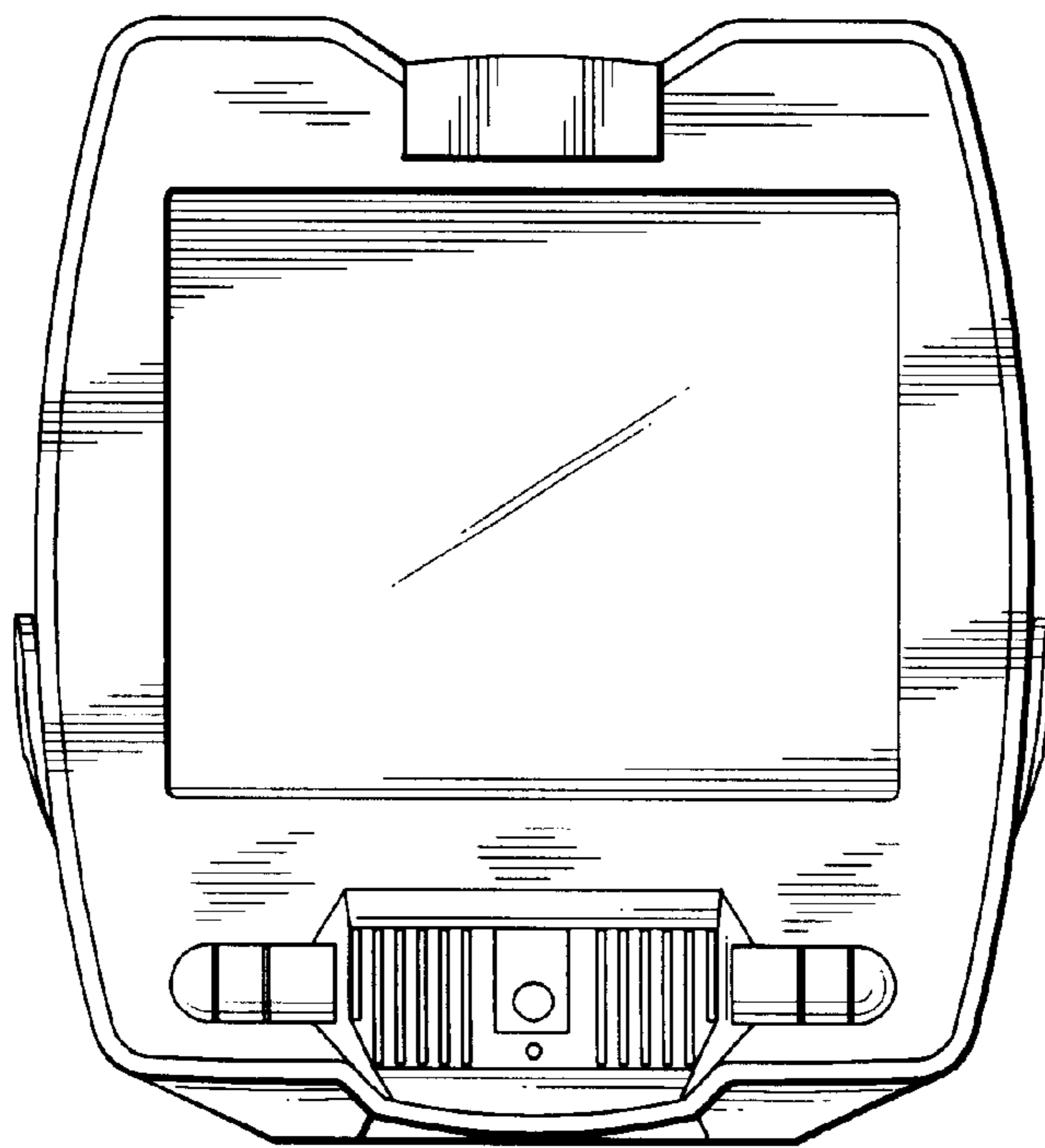


FIG. 2

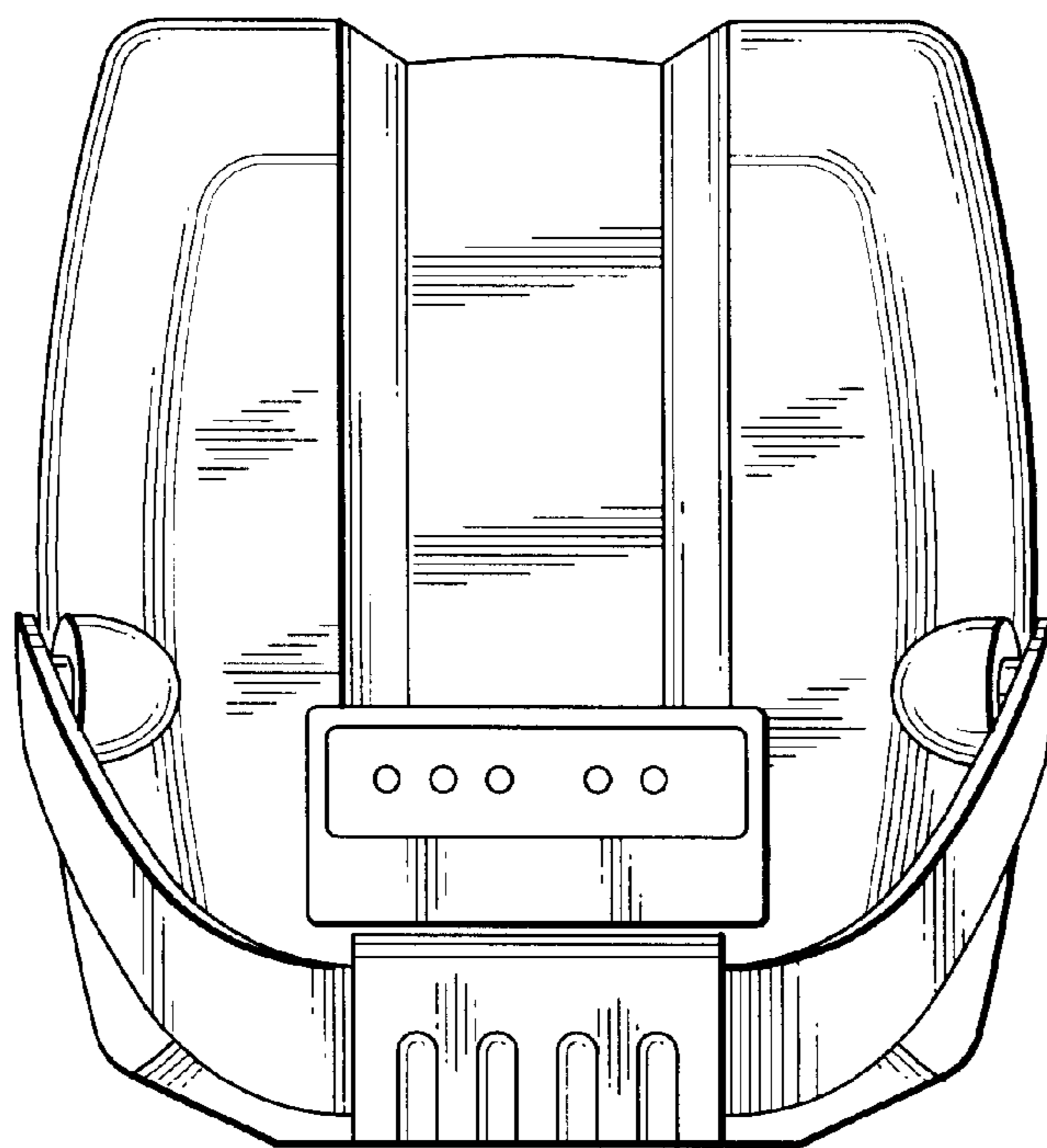


FIG. 3

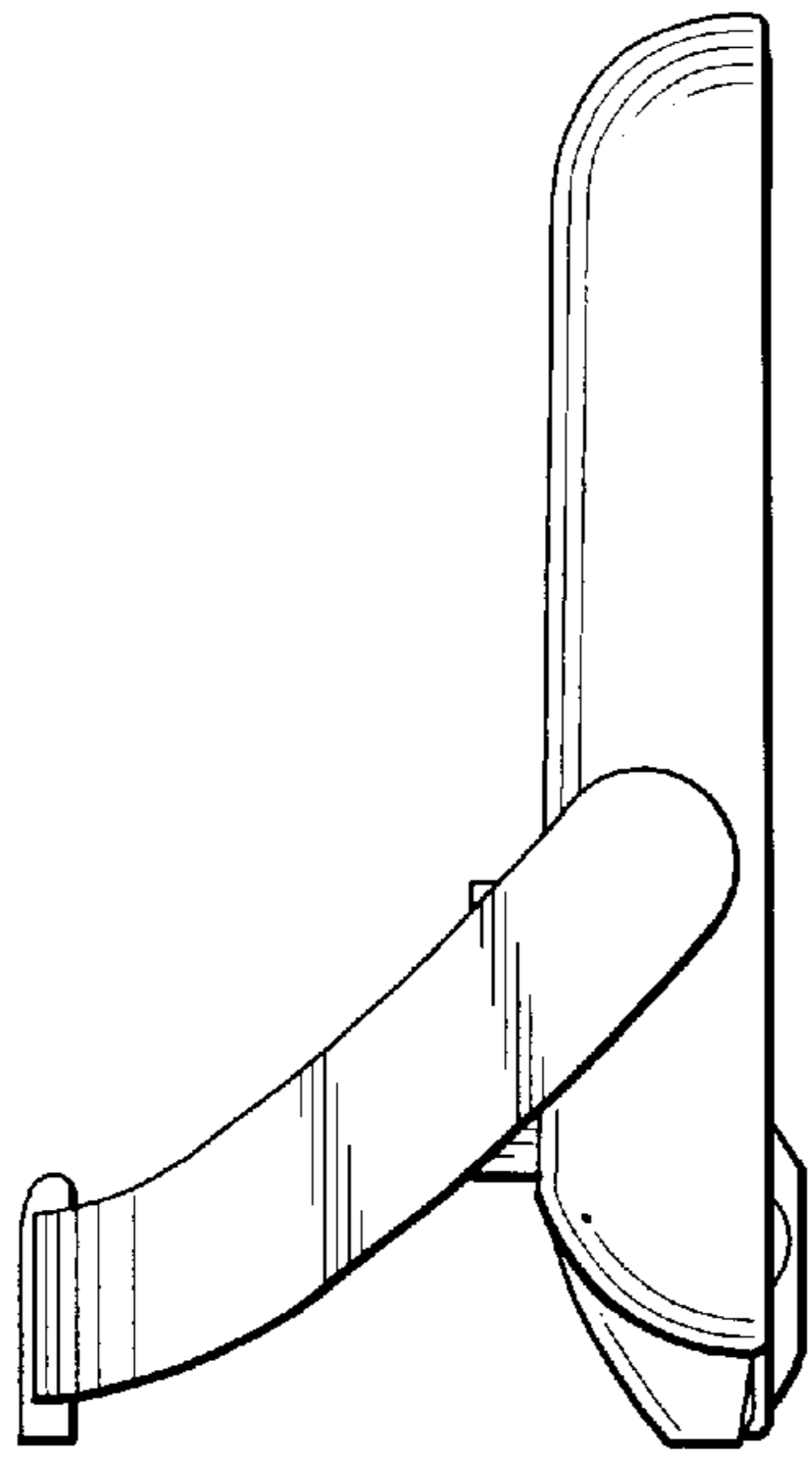


FIG. 4

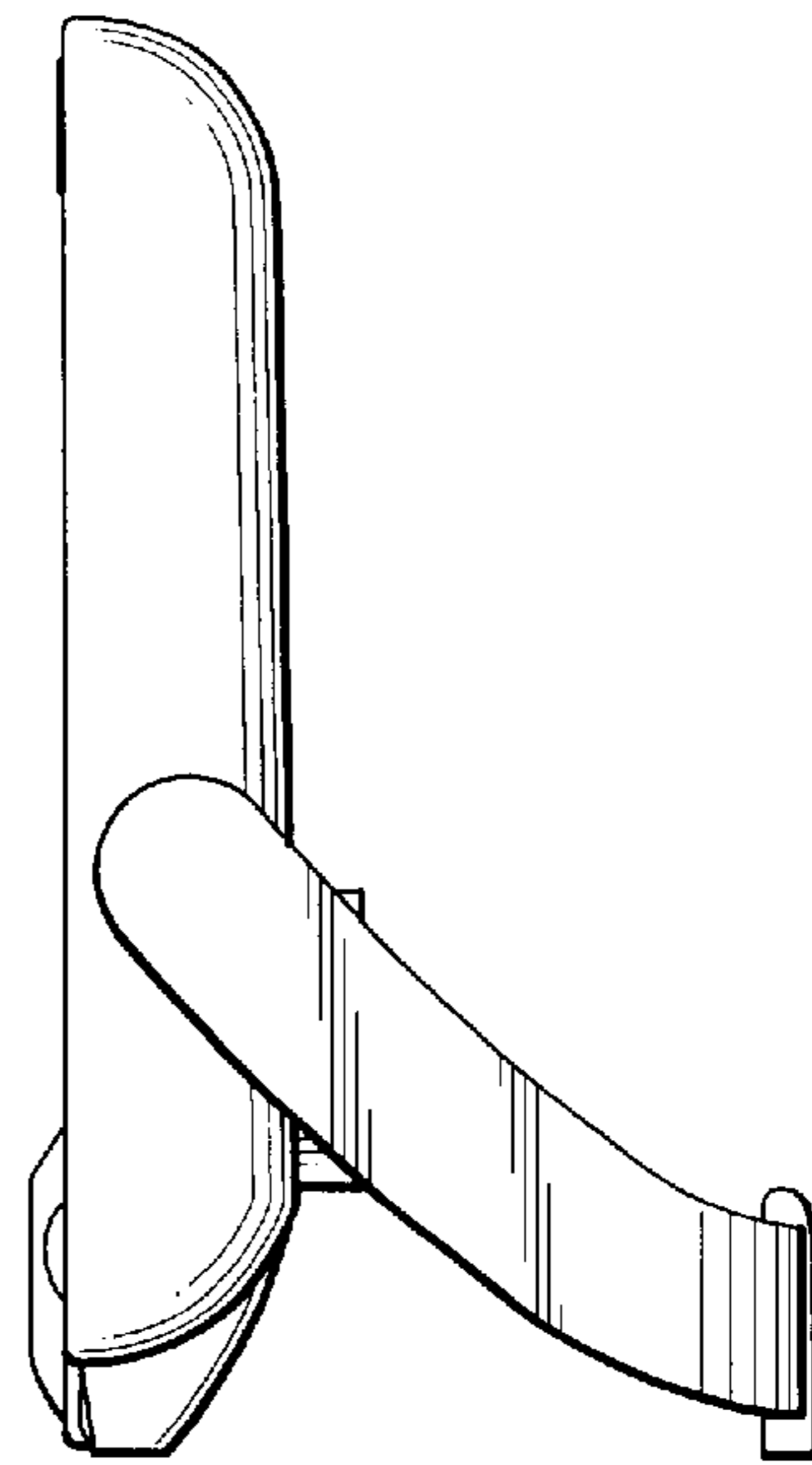


FIG. 5

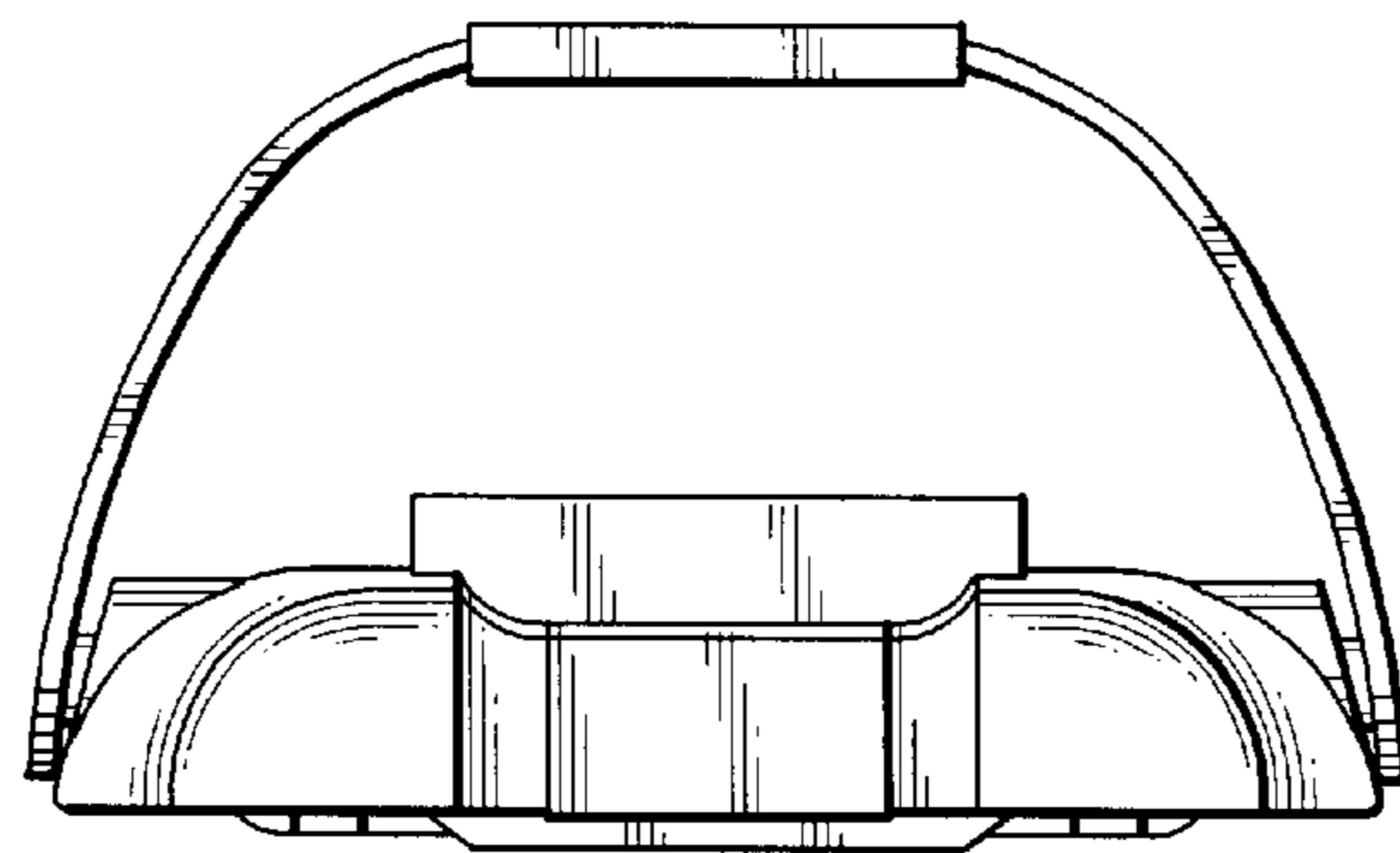


FIG. 6

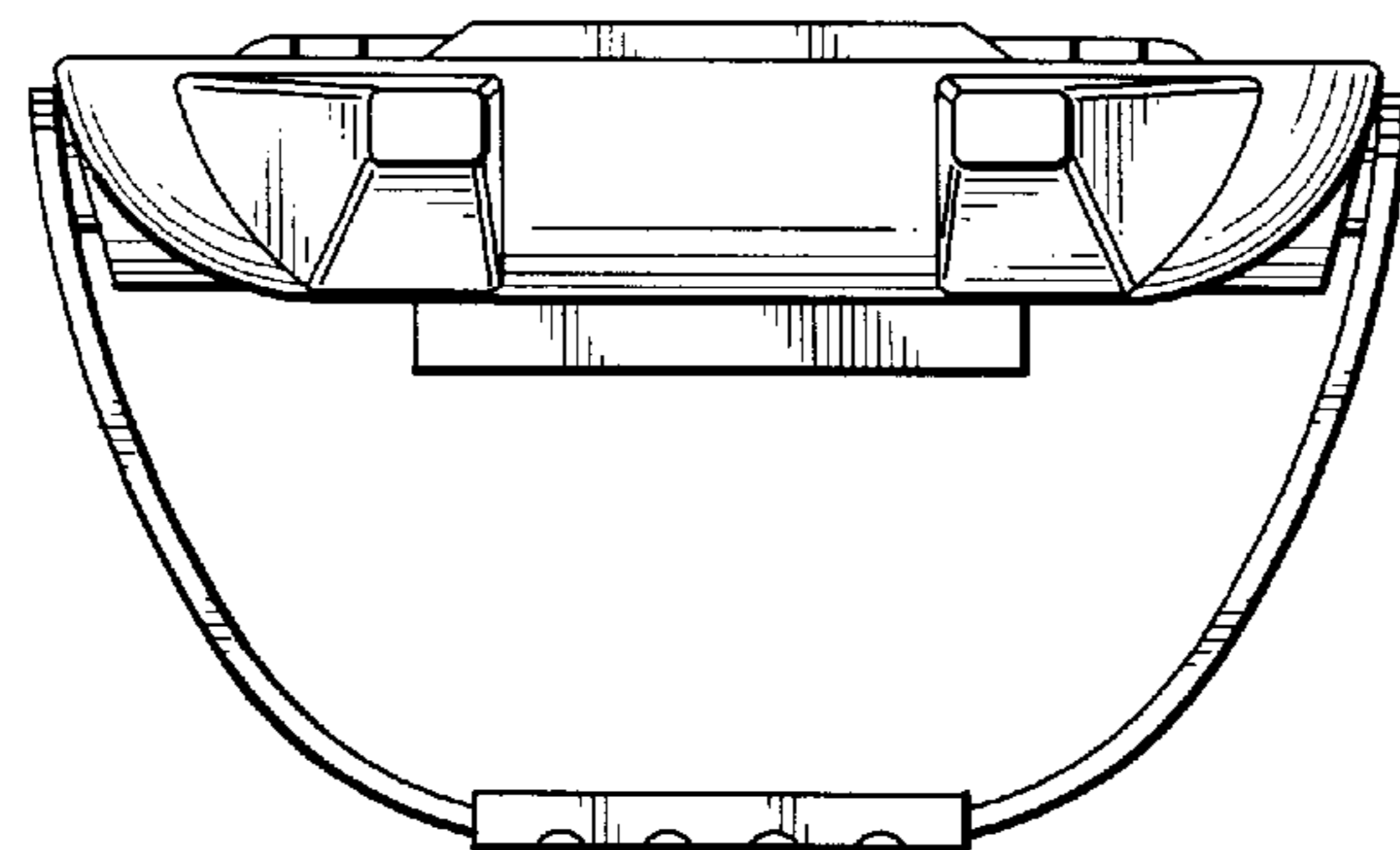


FIG. 7