

US00D522981S

(12) **United States Design Patent**  
**Hoehn et al.**

(10) **Patent No.: US D522,981 S**  
(45) **Date of Patent: \*\* Jun. 13, 2006**

(54) **TELEVISION SET**

(75) Inventors: **Holger Hoehn**, Taipei (TW); **Reinier Bloem**, Taipei (TW)

(73) Assignee: **Hannspree, Inc.**, Taipei (TW)

(\*\*) Term: **14 Years**

(21) Appl. No.: **29/230,425**

(22) Filed: **May 23, 2005**

(30) **Foreign Application Priority Data**

Dec. 8, 2004 (TW) ..... 93307416

(51) **LOC (8) Cl.** ..... **14-03**

(52) **U.S. Cl.** ..... **D14/126**

(58) **Field of Classification Search** ..... D14/125-134,  
D14/239, 371, 136, 374-377; 312/7.2; 348/836,  
348/838, 180, 184, 325, 739; 341/12; 248/917-924,  
248/465; 345/104, 133, 156, 168, 87, 173;  
720/605, 669, 600, 655; 369/99, 197; 455/344-347  
See application file for complete search history.

(56) **References Cited**

**U.S. PATENT DOCUMENTS**

D401,297 S \* 11/1998 Fai ..... D21/329

D436,106 S	*	1/2001	Mohamed	.....	D14/371
D462,074 S	*	8/2002	Kim	.....	D14/375
D470,141 S	*	2/2003	Lin	.....	D14/376
D475,984 S	*	6/2003	Chen et al.	.....	D14/126
D489,066 S	*	4/2004	Tsai	.....	D14/371
D489,371 S	*	5/2004	Sarman	.....	D14/371
D496,042 S	*	9/2004	Borsboom	.....	D14/371
6,937,464 B1	*	8/2005	Adams et al.	.....	361/681

\* cited by examiner

*Primary Examiner*—Raphael Barkai

(74) *Attorney, Agent, or Firm*—Bacon & Thomas, PLLC

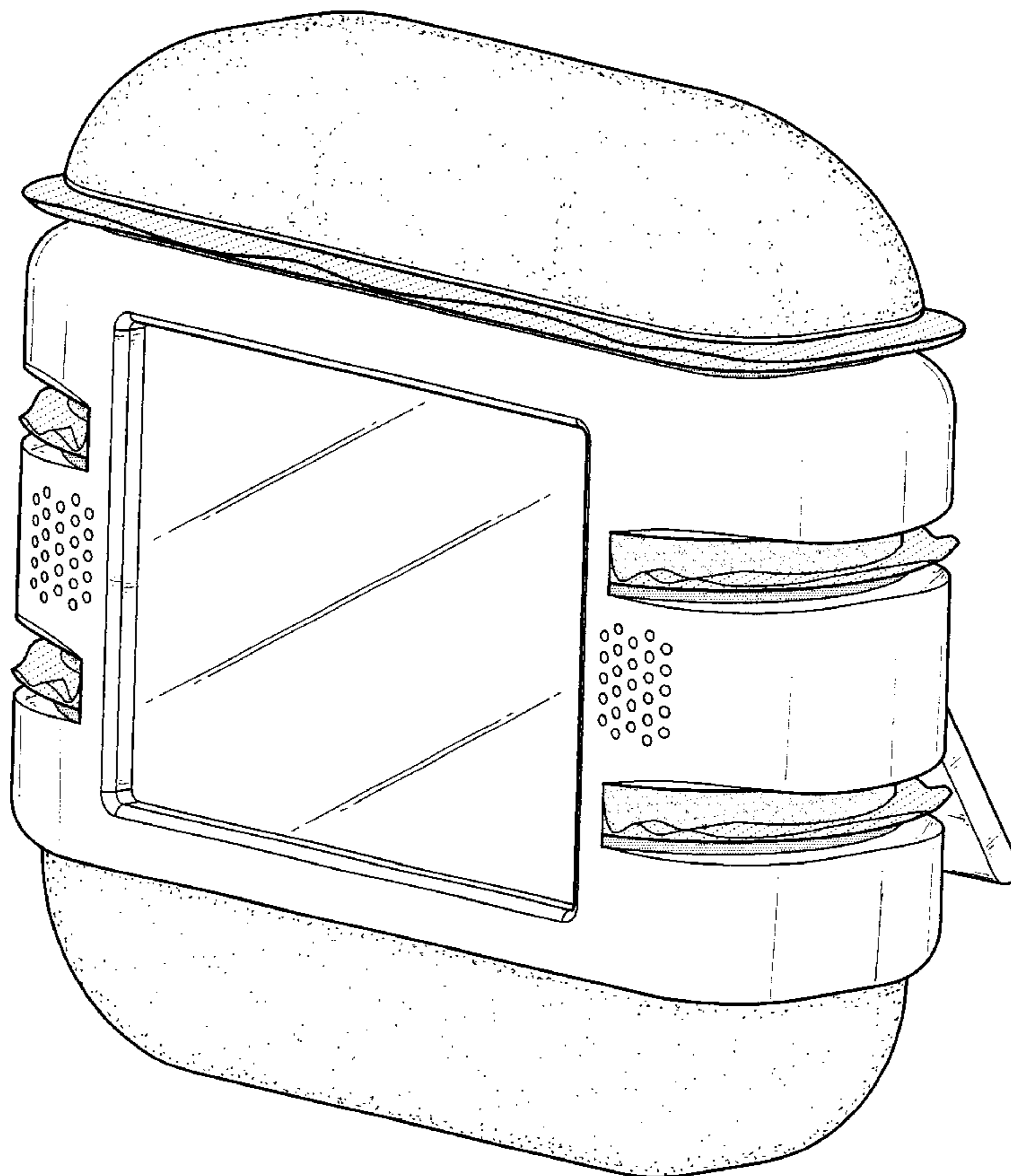
(57) **CLAIM**

The ornamental design for a television set, as shown.

**DESCRIPTION**

FIG. 1 is a perspective view of a television set showing my new design;  
FIG. 2 is a front elevational view thereof;  
FIG. 3 is a rear elevational view thereof;  
FIG. 4 is a left side elevational view thereof;  
FIG. 5 is a right side elevational view thereof;  
FIG. 6 is a top plan view thereof; and,  
FIG. 7 is a bottom plan view thereof.

**1 Claim, 6 Drawing Sheets**



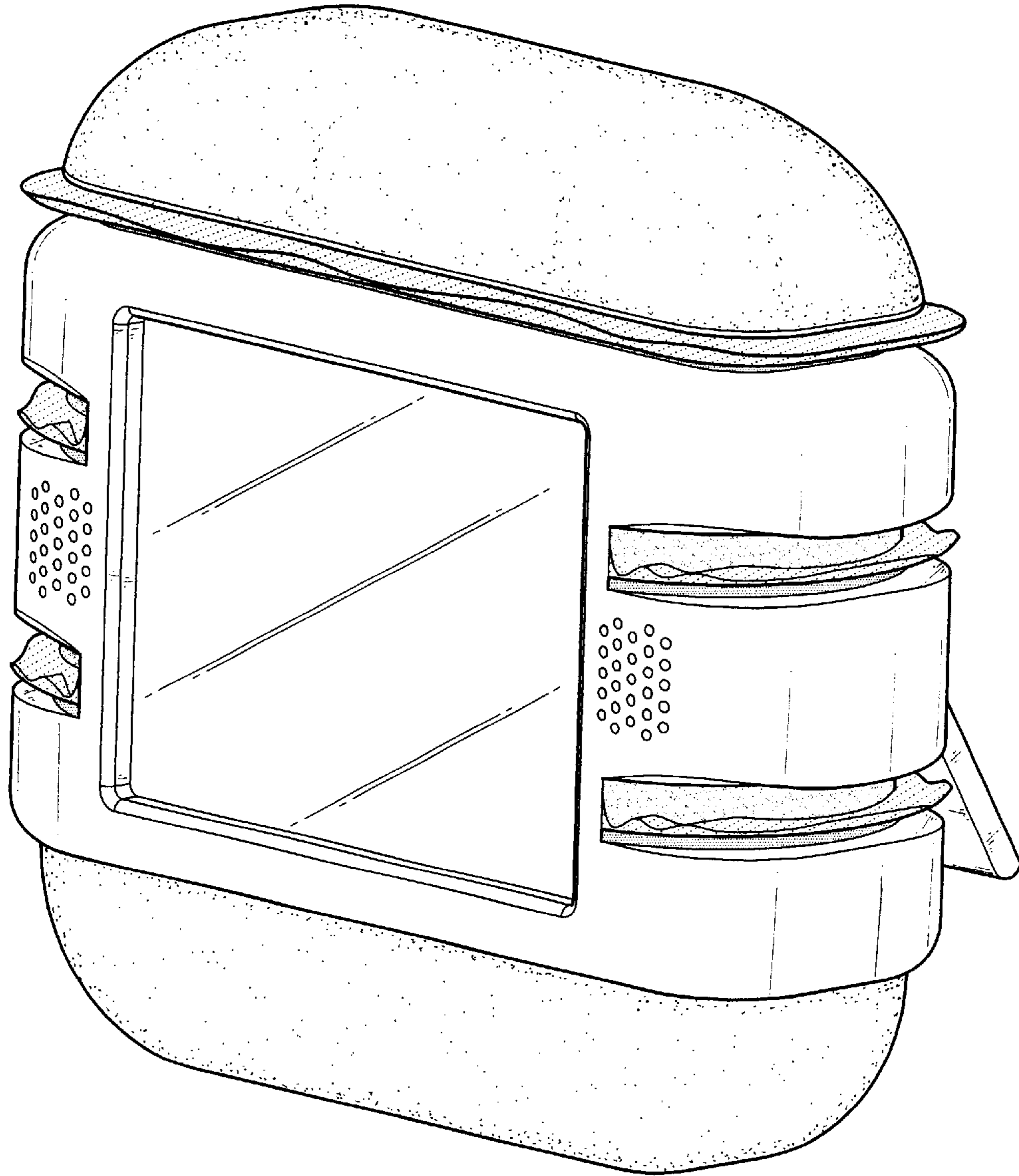


FIG. 1

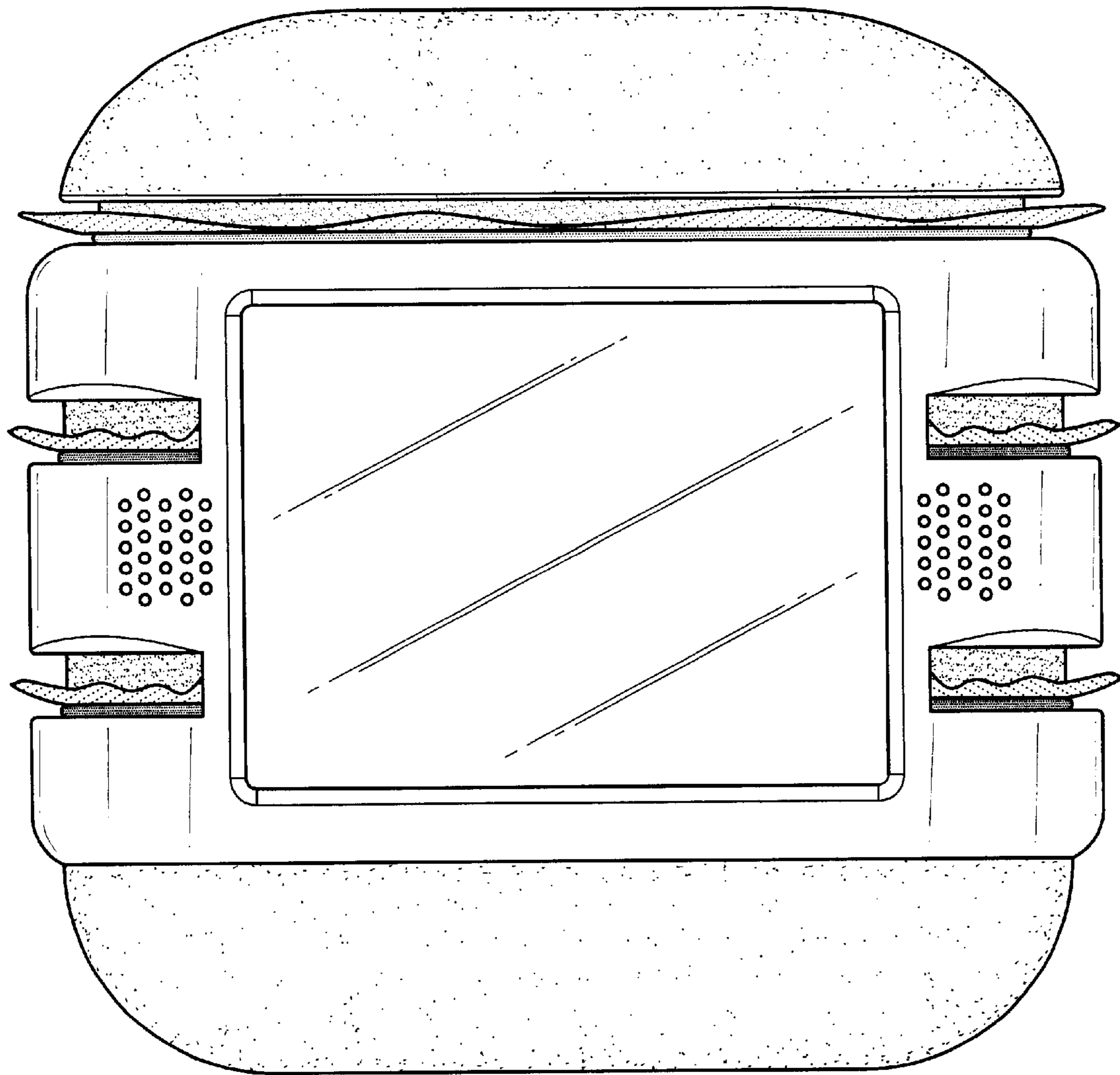


FIG. 2

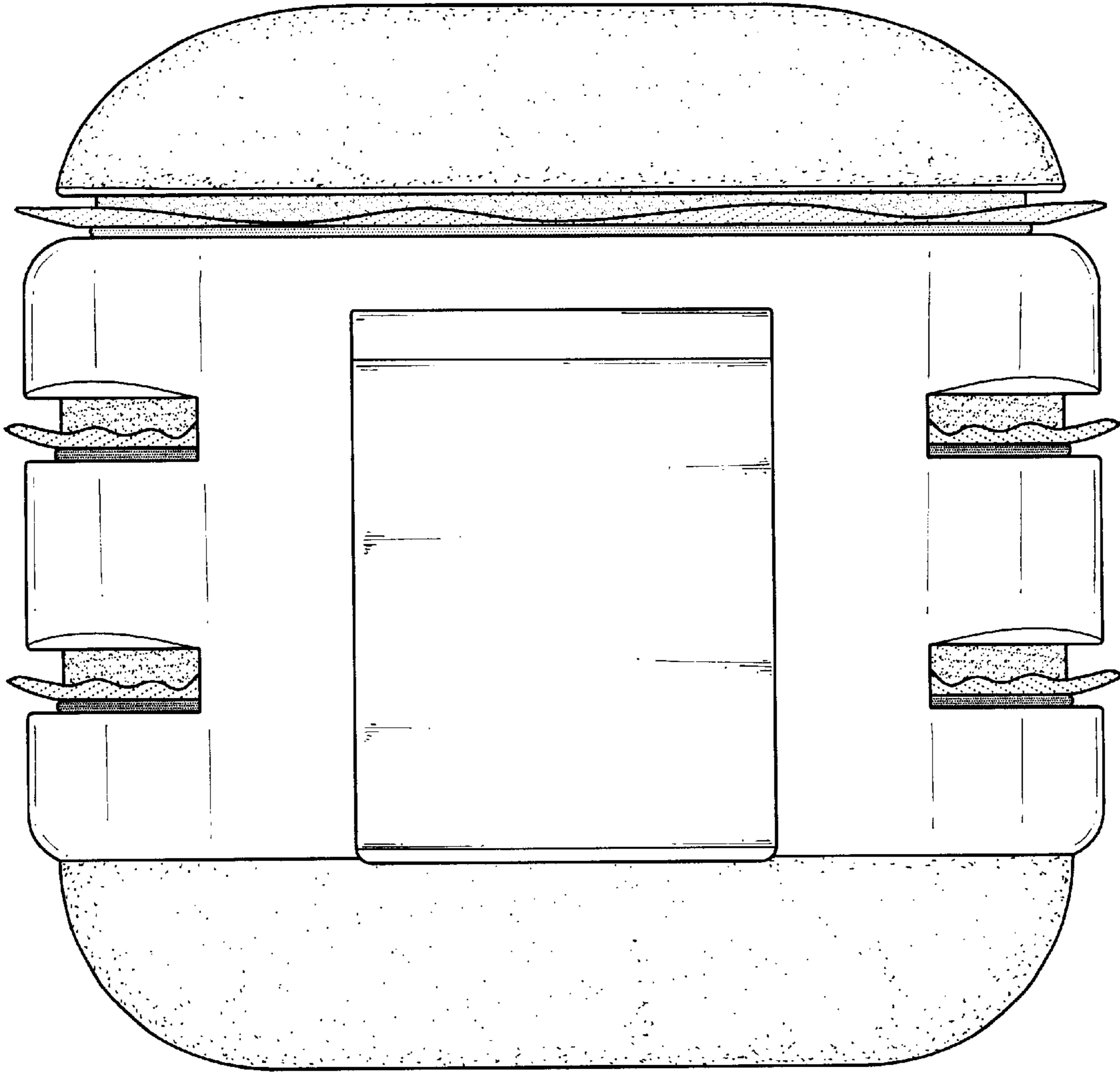


FIG. 3

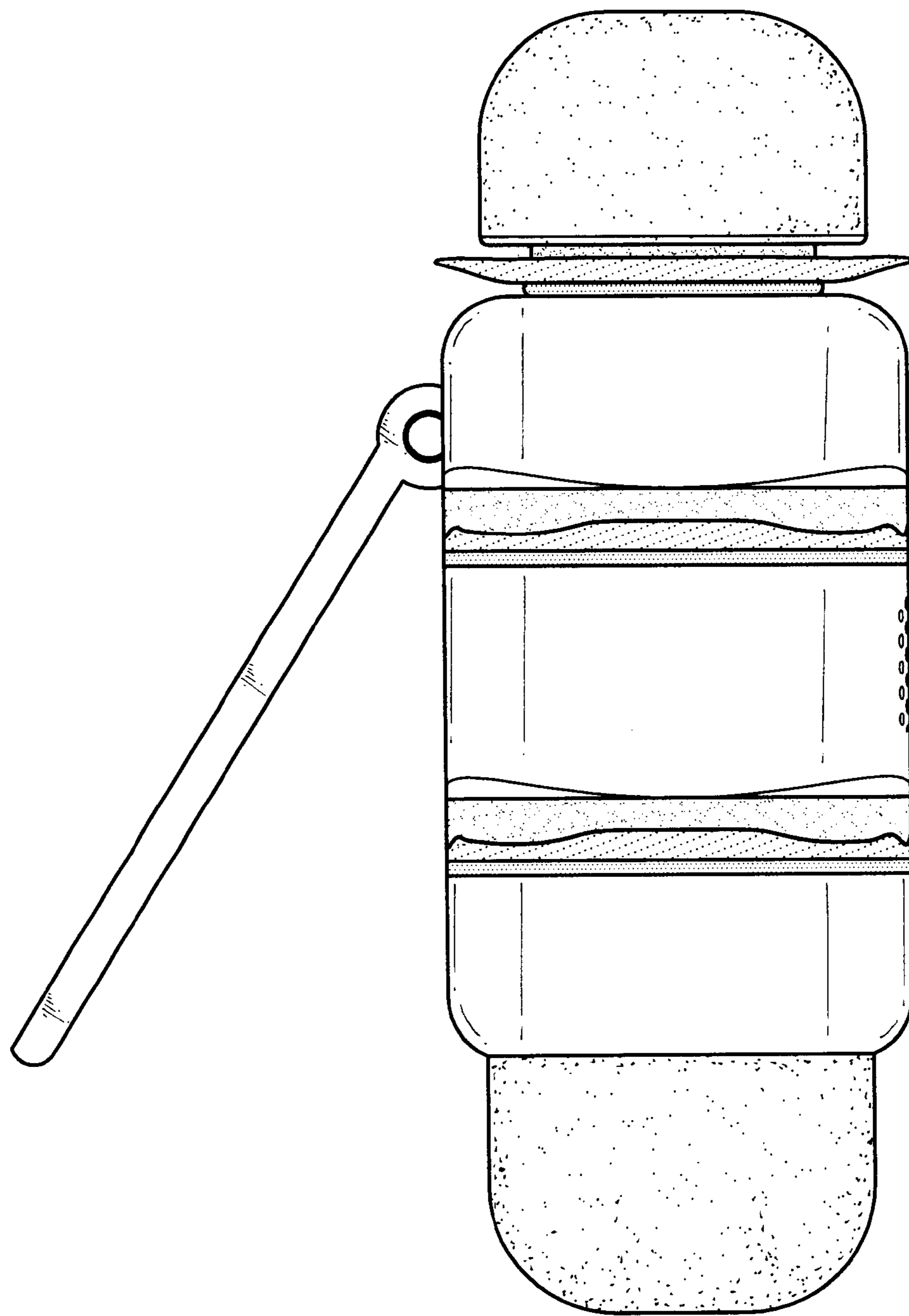


FIG. 4



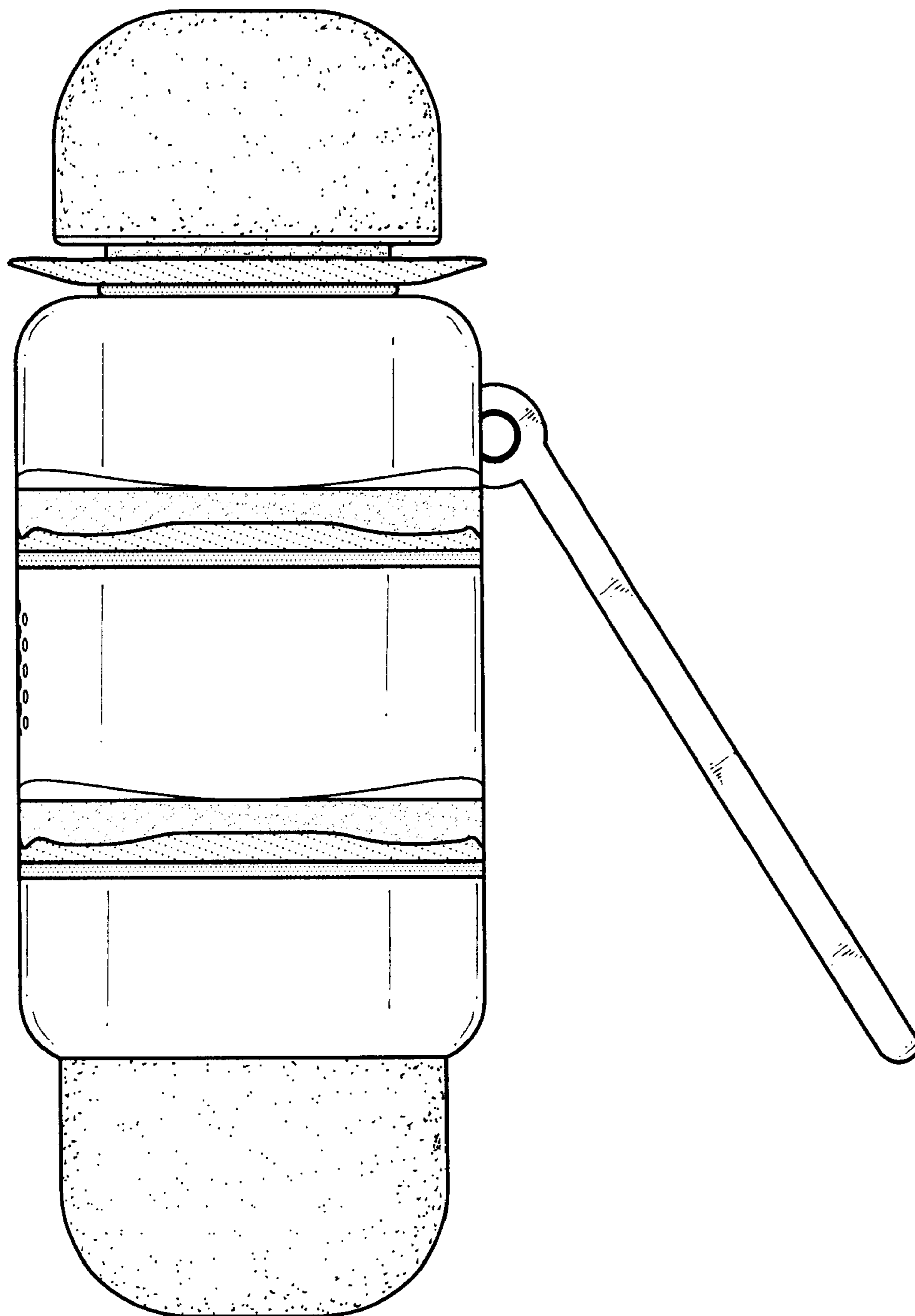


FIG. 5

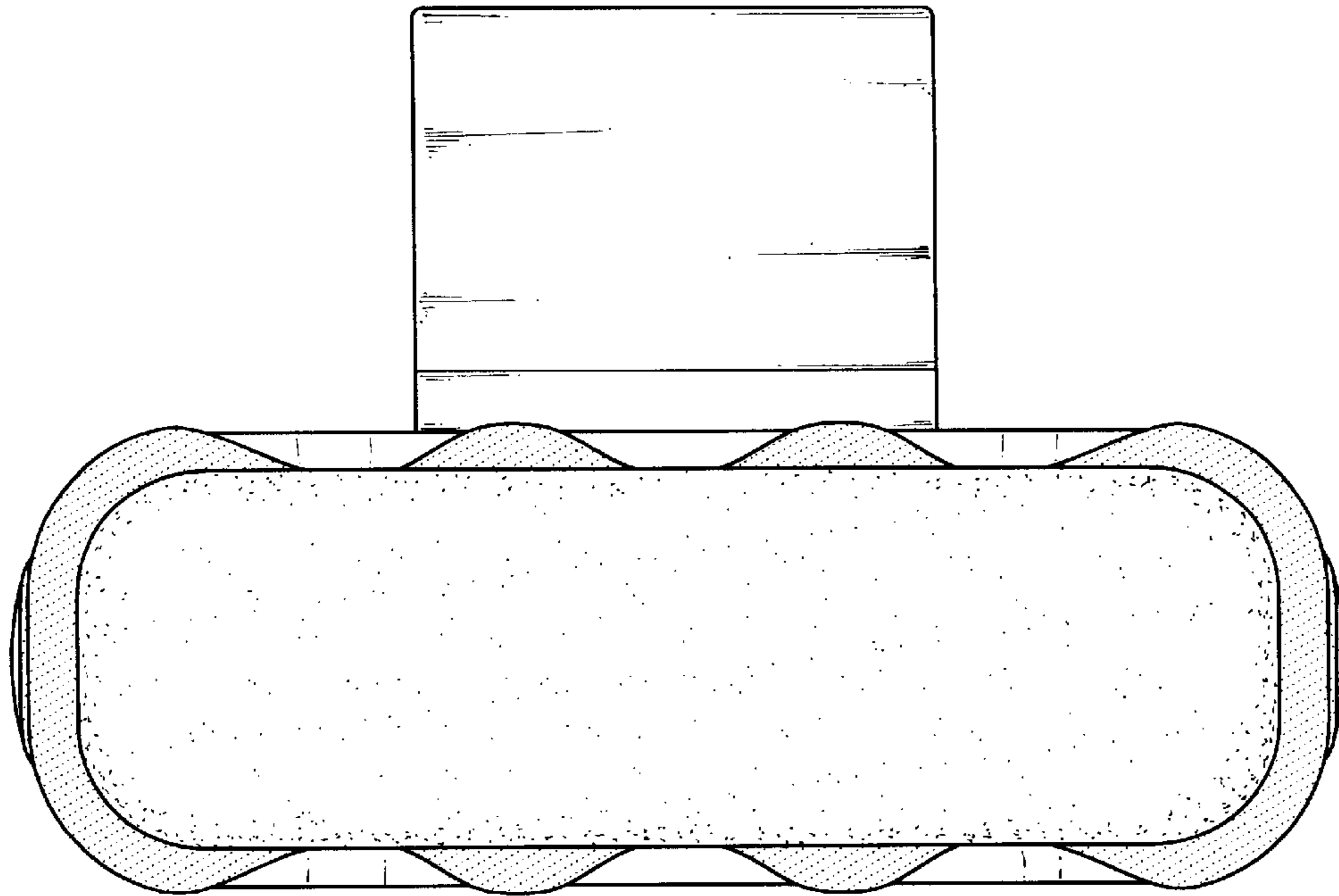


FIG. 6

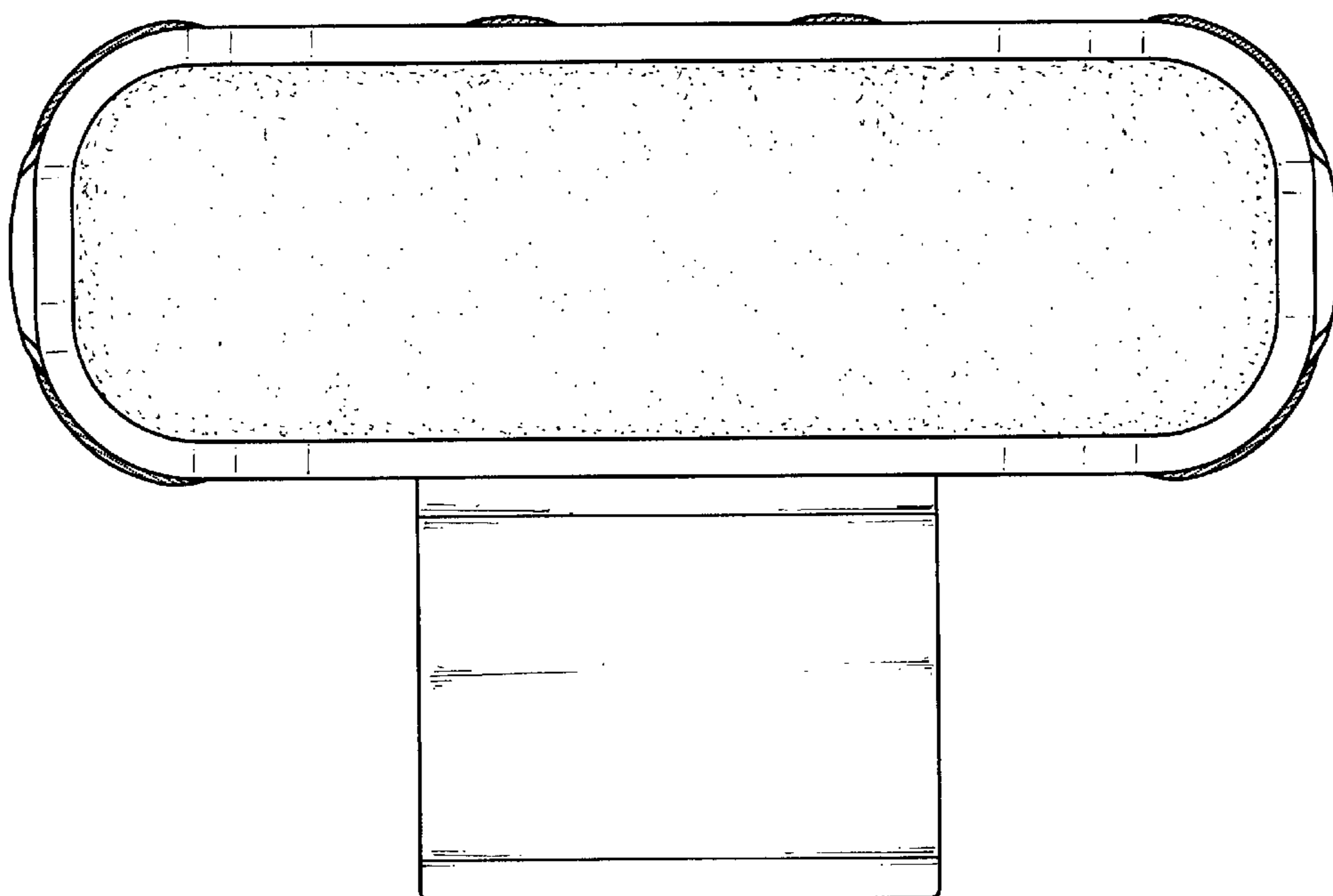


FIG. 7