



US00D522979S

(12) **United States Design Patent**  
**Sisson**

(10) **Patent No.:** **US D522,979 S**  
(45) **Date of Patent:** **\*\* Jun. 13, 2006**

(54) **FUNNEL PLATE**

(75) **Inventor:** **Thomas P. Sisson**, Forest, VA (US)

(73) **Assignee:** **Danville Automation Holdings LLC**,  
Lynchburg, VA (US)

(\*\*) **Term:** **14 Years**

(21) **Appl. No.:** **29/230,943**

(22) **Filed:** **May 27, 2005**

(51) **LOC (8) Cl.** ..... **13-03**

(52) **U.S. Cl.** ..... **D13/182**

(58) **Field of Classification Search** ..... D13/182,  
D13/184, 199; D8/350-353; 414/403, 404;  
249/105, 108; 206/701, 710, 711, 725, 707,  
206/714, 713, 724, 706, 722, 564, 561, 509,  
206/539, 563, 557, 508, 486, 832  
See application file for complete search history.

(56) **References Cited**

**U.S. PATENT DOCUMENTS**

D273,582	S	*	4/1984	Bolt	.....	D13/182
D273,860	S	*	5/1984	Bolt	.....	D13/182
4,448,306	A	*	5/1984	Sinnadurai et al.	.....	206/725
4,881,639	A	*	11/1989	Matsuoka et al.	.....	206/724
5,103,976	A	*	4/1992	Murphy	.....	206/719
5,131,535	A	*	7/1992	O'Connor et al.	.....	206/722
5,203,452	A	*	4/1993	Small et al.	.....	206/725
5,400,904	A	*	3/1995	Maston et al.	.....	206/725
5,481,438	A	*	1/1996	Nemoto	.....	361/810
5,492,223	A	*	2/1996	Boardman et al.	.....	206/710
5,503,858	A	*	4/1996	Reskow	.....	426/119
5,746,319	A	*	5/1998	Murphy	.....	206/725
5,772,038	A	*	6/1998	Murata et al.	.....	206/725
5,791,486	A	*	8/1998	Brahmbhatt	.....	206/725
5,794,784	A	*	8/1998	Murphy	.....	206/725
5,848,703	A	*	12/1998	Murphy et al.	.....	206/725
D412,888	S	*	8/1999	Coveley	.....	D13/182
5,957,293	A	*	9/1999	Pakeriasamy	.....	206/725
5,960,961	A	*	10/1999	Gutentag	.....	206/714

6,015,046	A	*	1/2000	Brunelle	.....	206/511
6,021,904	A	*	2/2000	Kozol et al.	.....	206/724
6,179,127	B1	*	1/2001	Kato et al.	.....	206/714
6,227,372	B1	*	5/2001	Thomas et al.	.....	206/725
6,296,122	B1	*	10/2001	Nakazono et al.	.....	206/707
6,474,477	B1	*	11/2002	Chang	.....	206/725
6,612,442	B1	*	9/2003	Soh et al.	.....	206/725
D496,339	S	*	9/2004	Stanley	.....	D13/182
6,857,524	B1	*	2/2005	Duban-Hu et al.	.....	206/725
2001/0023839	A1	*	9/2001	Kunii et al.	.....	206/711
2002/0066693	A1	*	6/2002	Zhu et al.	.....	206/725
2002/0066694	A1	*	6/2002	Soh et al.	.....	206/725
2002/0162770	A1	*	11/2002	Chang	.....	206/725
2003/0230512	A1	*	12/2003	Yeh	.....	206/714
2004/0011700	A1	*	1/2004	Brahmbhatt et al.	.....	206/713

\* cited by examiner

*Primary Examiner*—Stella Reid

*Assistant Examiner*—Mark Goodwin

(74) *Attorney, Agent, or Firm*—St. Onge Steward Johnston  
& Reens LLC

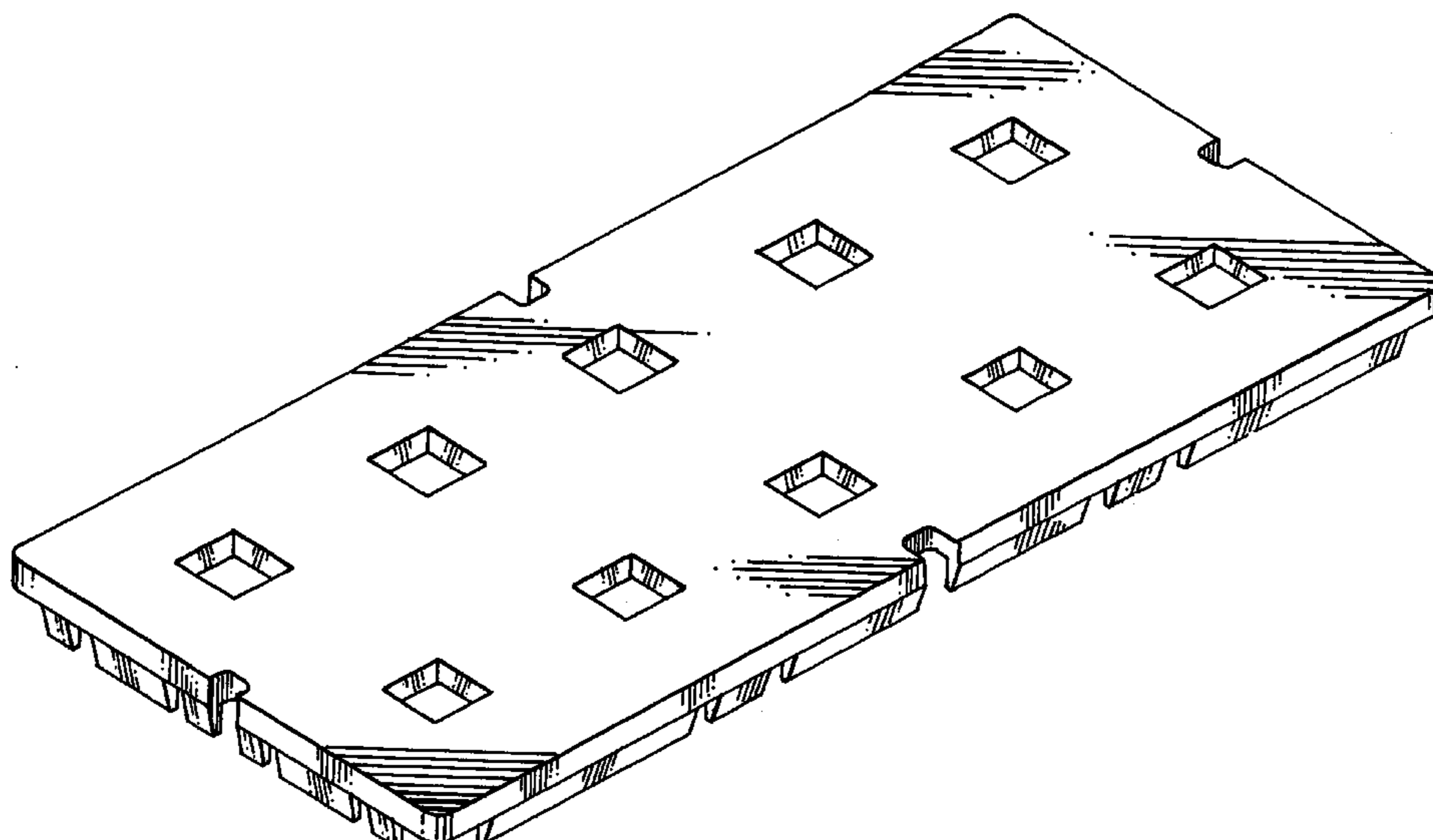
(57) **CLAIM**

The ornamental design for a funnel plate, as shown and described.

**DESCRIPTION**

FIG. 1 is a front isometric view of a funnel plate in accordance with the new design;  
FIG. 2 is a top view of the funnel plate design shown in FIG. 1;  
FIG. 3 is a left side view of the funnel plate design shown in FIG. 1, the right side view being a mirror image;  
FIG. 4 is a bottom view of the funnel plate design shown in FIG. 1;  
FIG. 5 is a front view of the funnel plate design shown in FIG. 1, the back view being a mirror image; and,  
FIG. 6 is a side cross sectional view of the funnel plate shown in FIG. 2 along line 6—6.

**1 Claim, 3 Drawing Sheets**



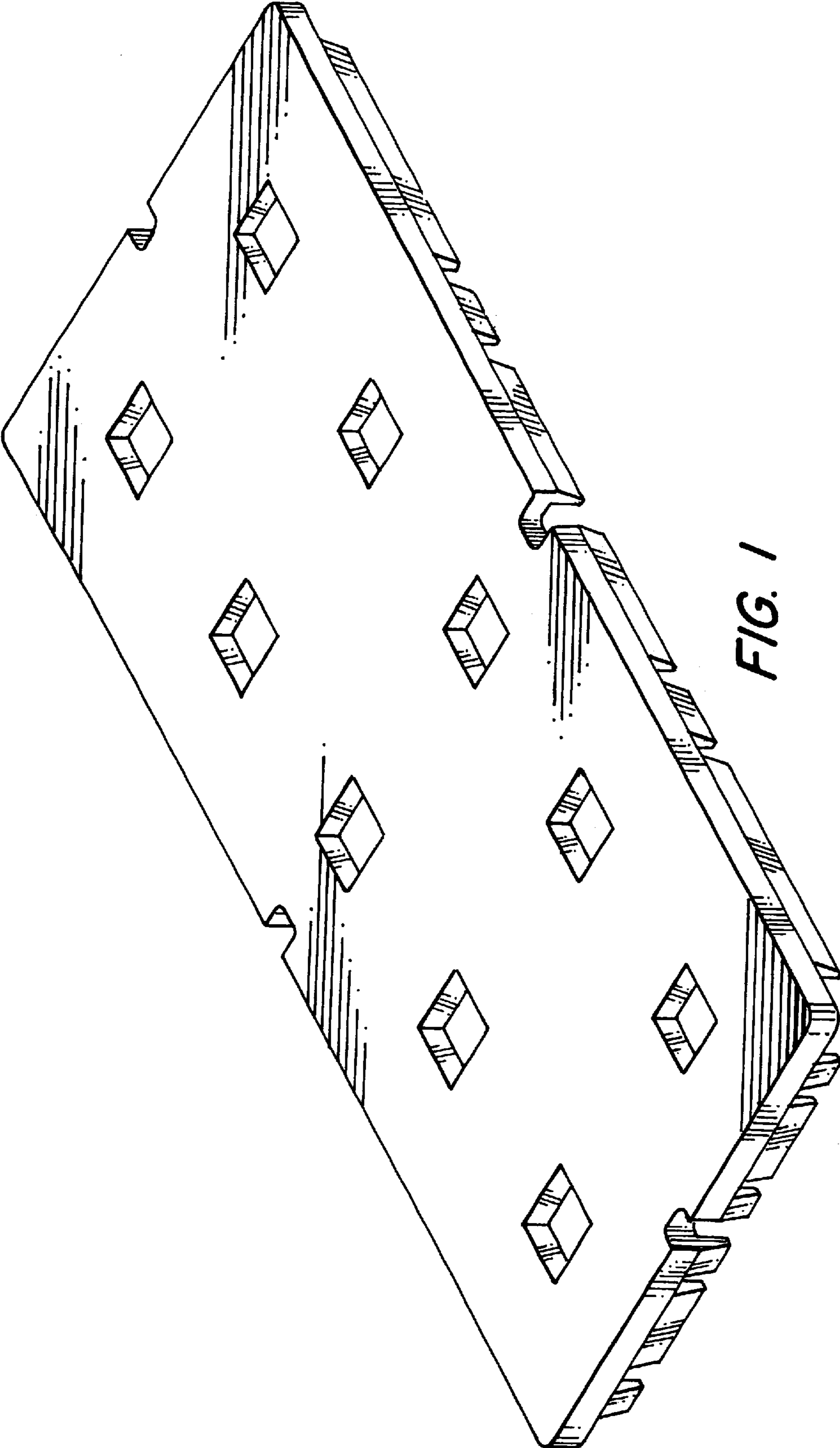


FIG. 1

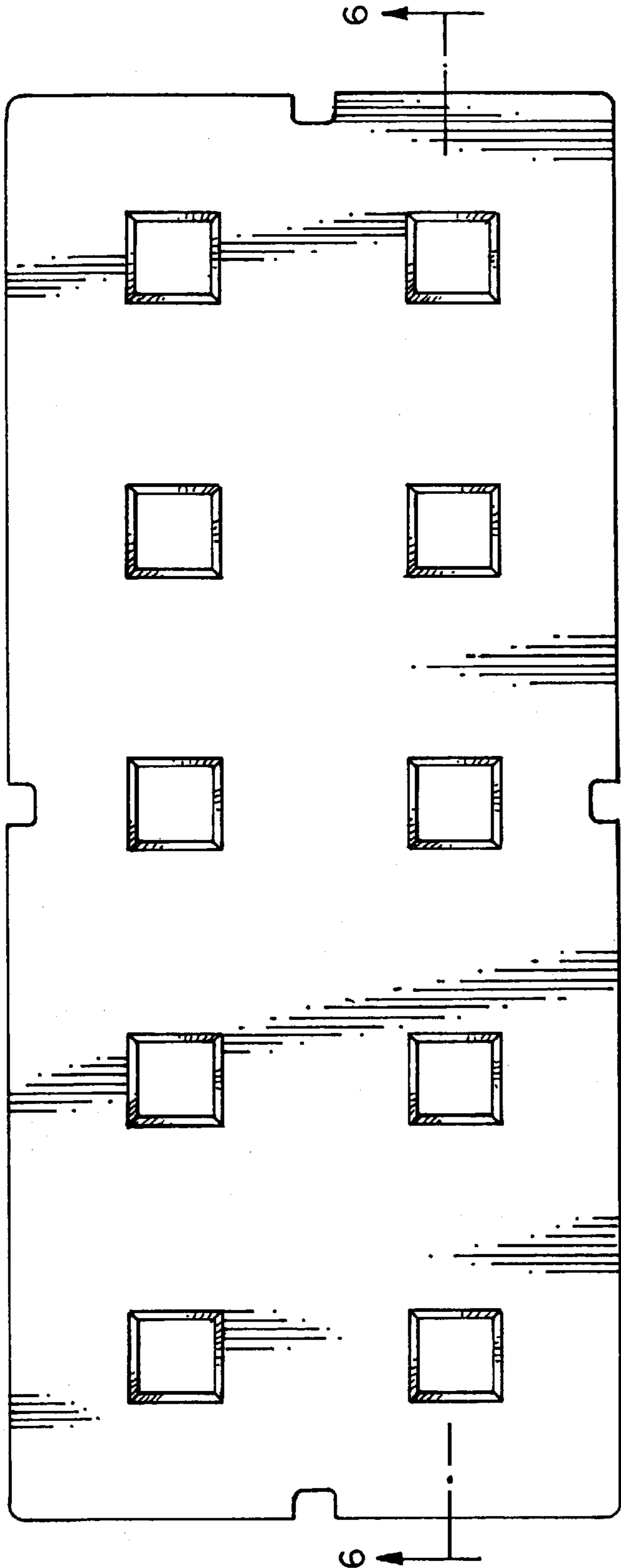


FIG. 2



FIG. 3



FIG. 6

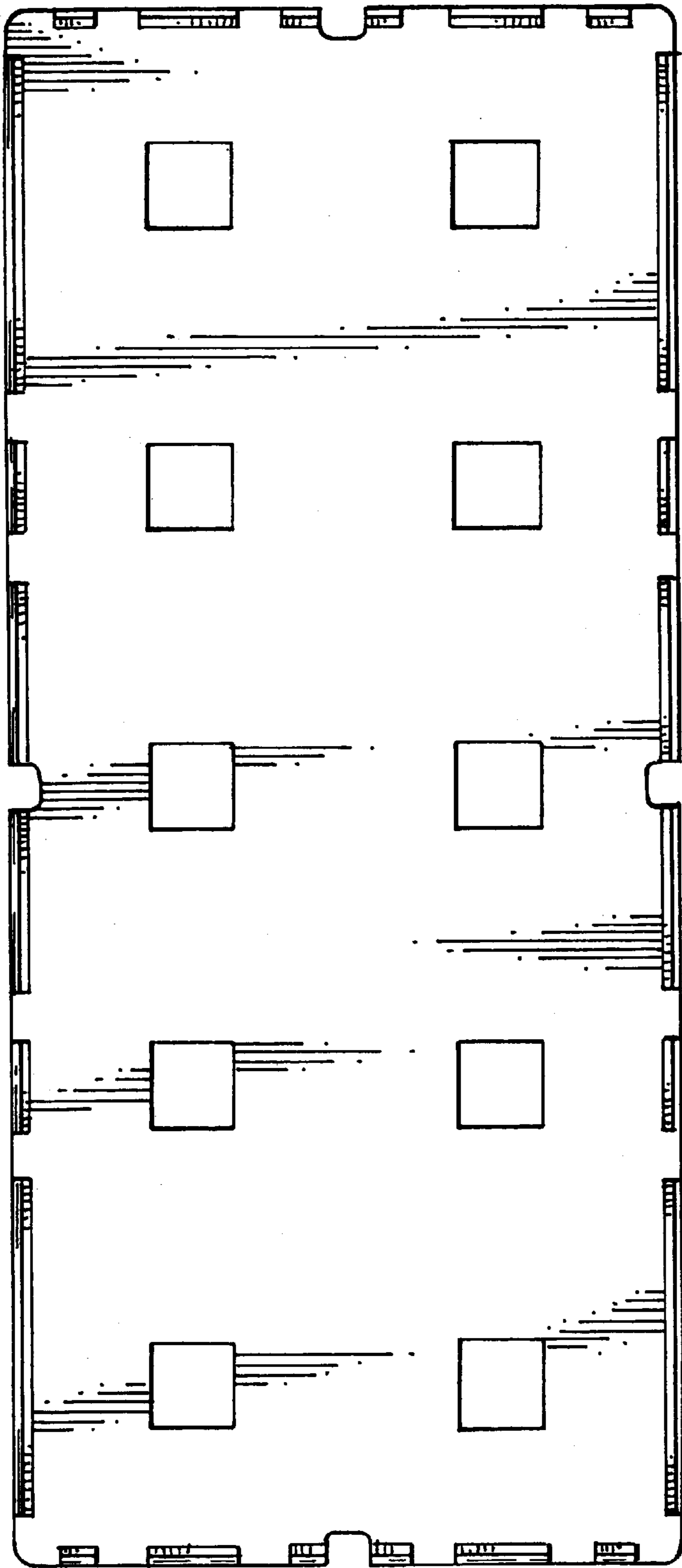


FIG. 4

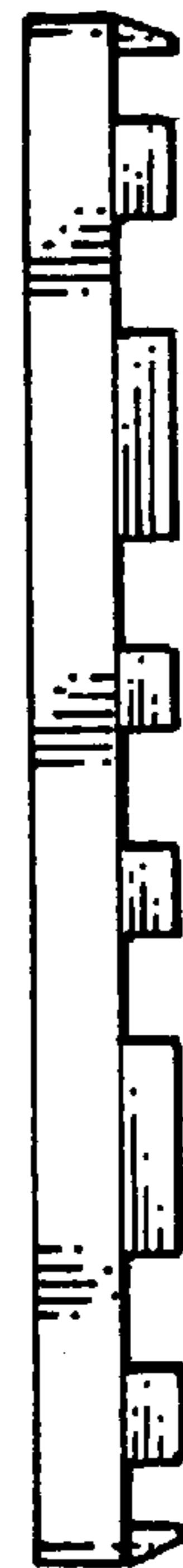


FIG. 5