

US00D522972S

(12) **United States Design Patent**
Long et al.

(10) **Patent No.:** **US D522,972 S**
(45) **Date of Patent:** **** Jun. 13, 2006**

(54) **ELECTRICAL CONTACT FLANGE**

(75) Inventors: **William B. Long**, Sunnyvale, CA (US);
Eric Radza, San Jose, CA (US);
Jimmy Kuo-Wei Chen, Pleasanton, CA
(US); **Michael B. Graves**, Los Gatos,
CA (US)

(73) Assignee: **Neoconix, Inc.**, Sunnyvale, CA (US)

(**) Term: **14 Years**

(21) Appl. No.: **29/226,849**

(22) Filed: **Apr. 4, 2005**

(51) **LOC (8) Cl.** **13-03**

(52) **U.S. Cl.** **D13/154**

(58) **Field of Classification Search** D13/133,
D13/154, 182, 184, 199; 174/260, 261; 361/752,
361/760, 761, 769, 776

See application file for complete search history.

(56) **References Cited**

U.S. PATENT DOCUMENTS

3,689,684	A	*	9/1972	Cox et al.	174/261
5,453,582	A	*	9/1995	Amano et al.	174/261
5,514,839	A	*	5/1996	Bender	174/262
D409,143	S	*	5/1999	Yoshiura	D13/133
D409,145	S	*	5/1999	Yoshiura	D13/133
6,064,576	A	*	5/2000	Edwards et al.	361/776

6,175,480	B1	*	1/2001	Karmazyn	361/103
6,465,747	B1	*	10/2002	DiStefano et al.	174/261
D472,880	S	*	4/2003	Clements et al.	D13/154
D475,021	S	*	5/2003	Clements et al.	D13/154
D482,656	S	*	11/2003	Burwell	D13/133
2002/0092674	A1	*	7/2002	Yoneda	174/260
2005/0263323	A1	*	12/2005	Chen	174/260

* cited by examiner

Primary Examiner—Alan P. Douglas

Assistant Examiner—Rosemary K. Tarcza

(74) *Attorney, Agent, or Firm*—Michael Bednarek Pillsbury
Winthrop Shaw Pittman LLP

(57) **CLAIM**

The ornamental design for an electrical contact flange, as substantially shown and described.

DESCRIPTION

FIG. 1 is a perspective view of an electrical contact flange showing our new design;

FIG. 2 is a right side view of the electrical contact flange;

FIG. 3 is a front view of the electrical contact flange;

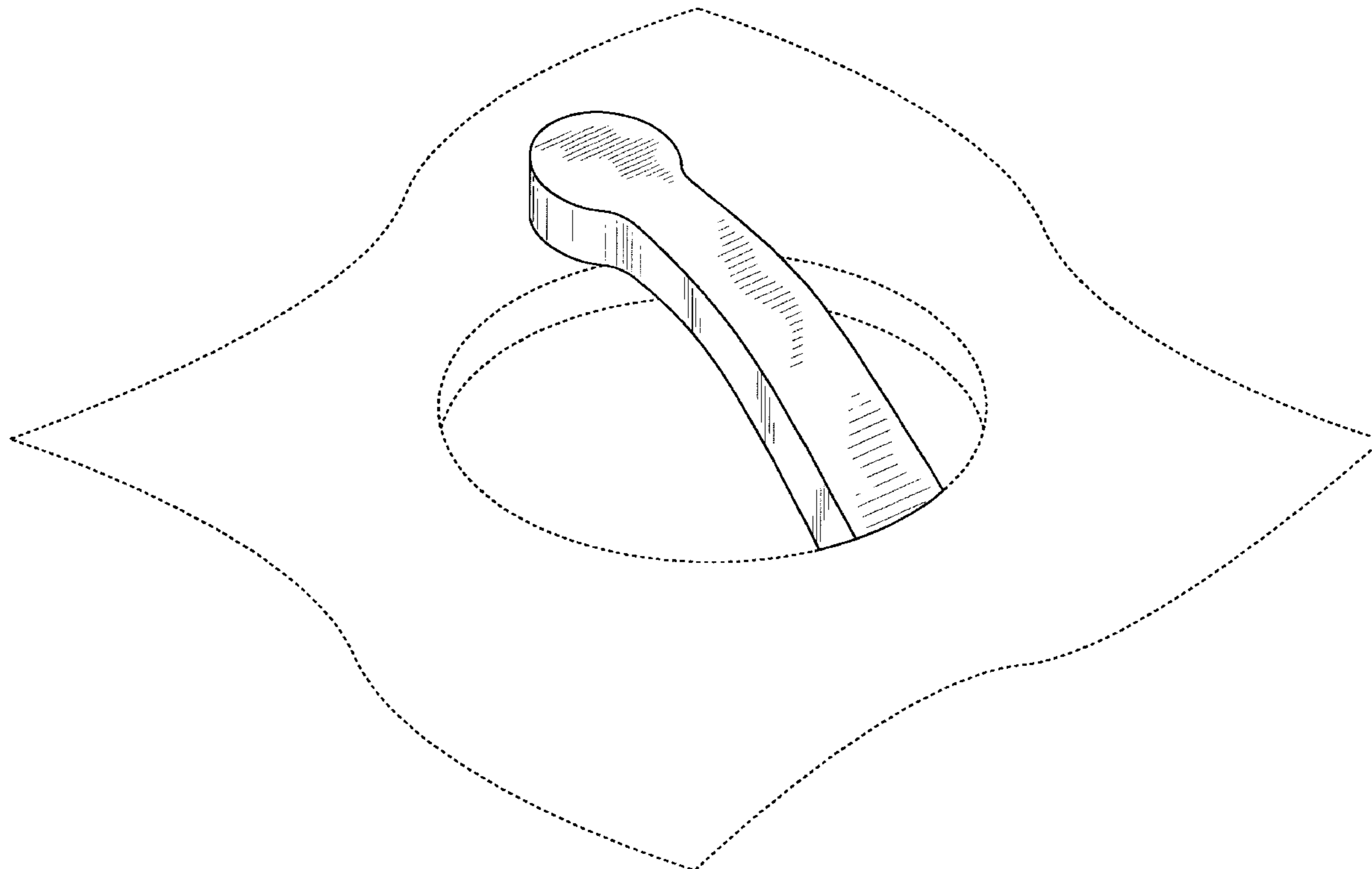
FIG. 4 is a rear view of the electrical contact flange;

FIG. 5 is a top view of the electrical contact flange; and,

FIG. 6 is a bottom view of the electrical contact flange.

The broken line showing is for illustrative purposes only and forms no part of the claimed design.

1 Claim, 4 Drawing Sheets



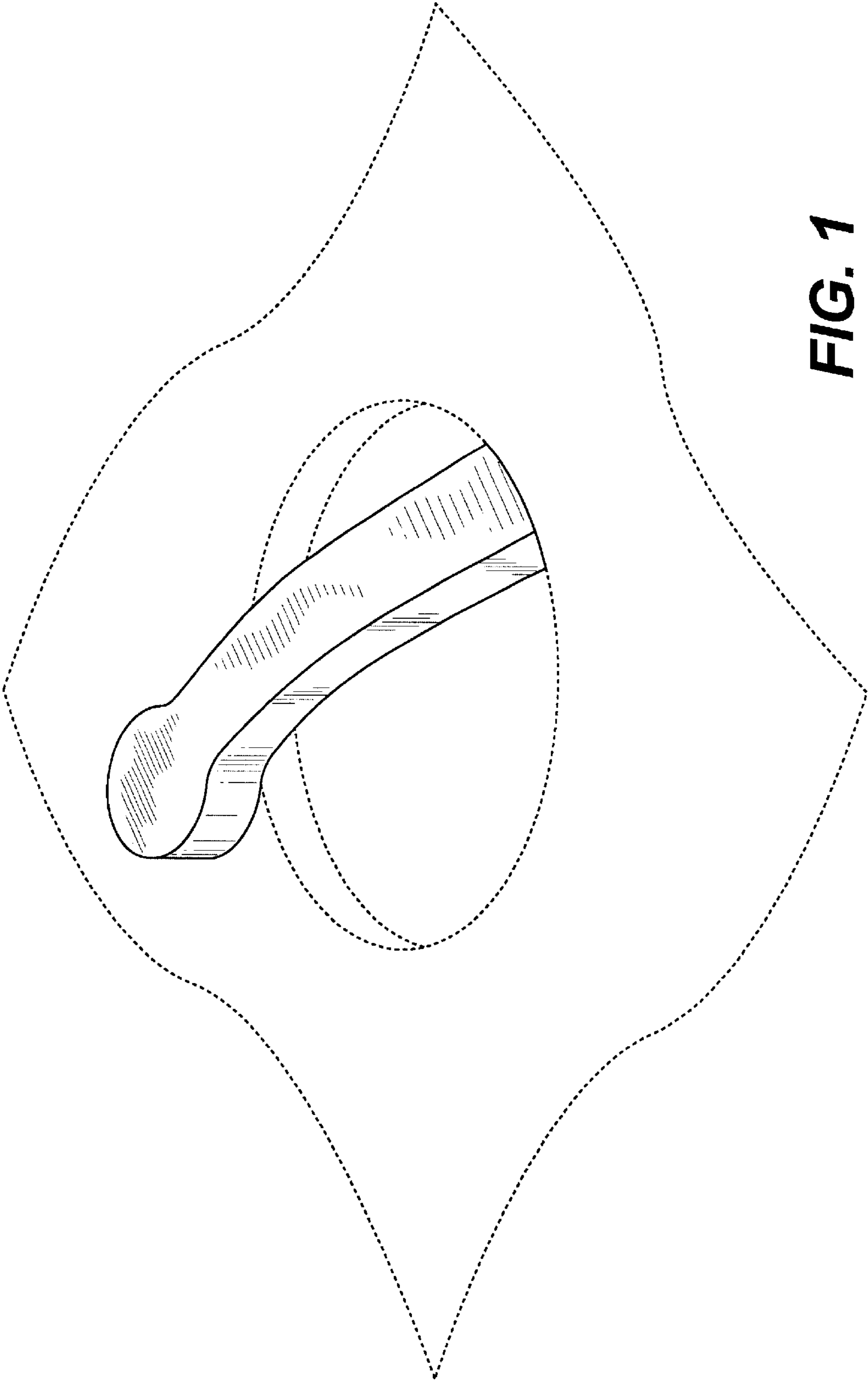


FIG. 1

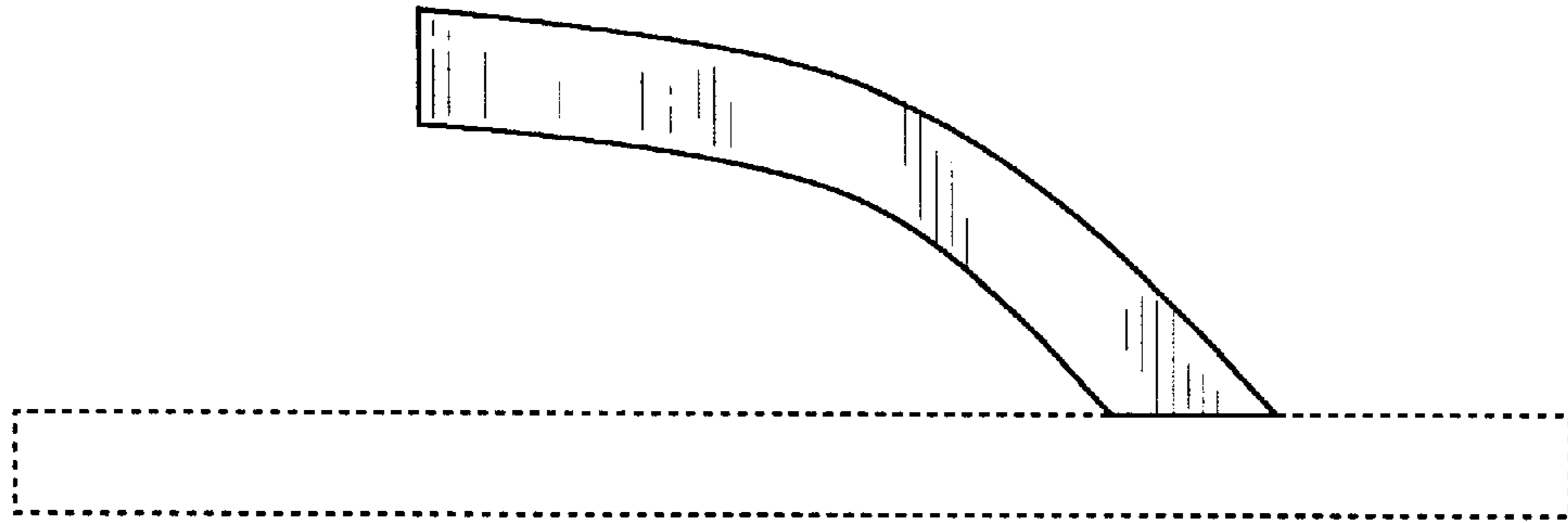


FIG. 2

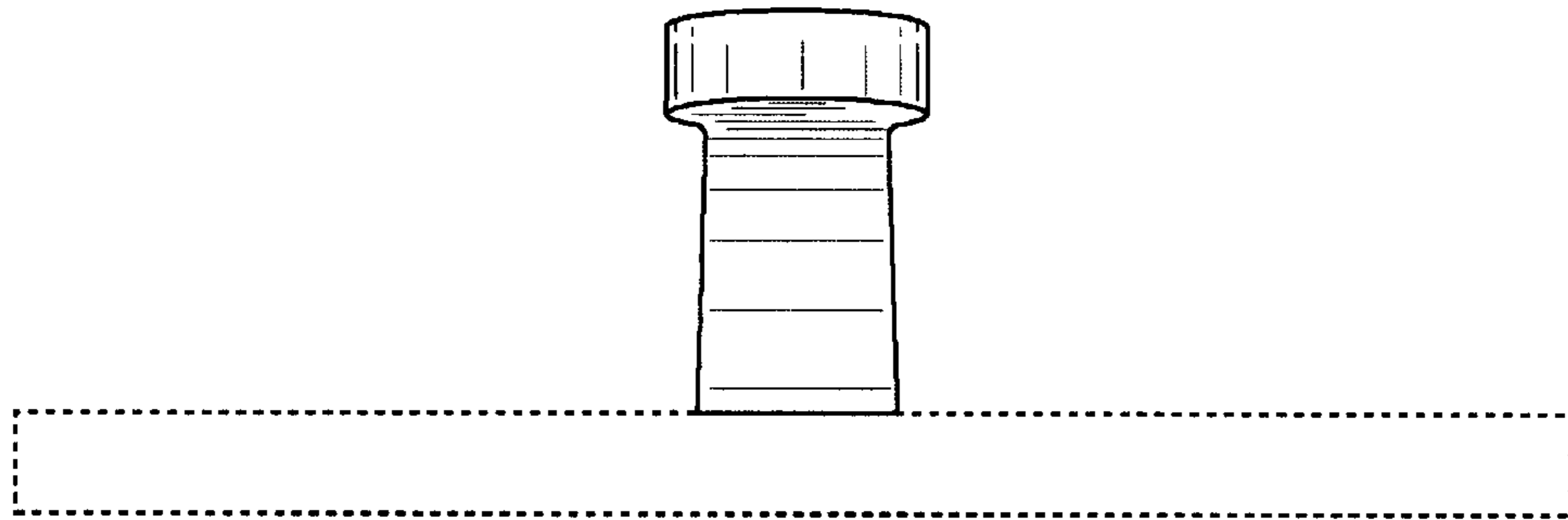


FIG. 3

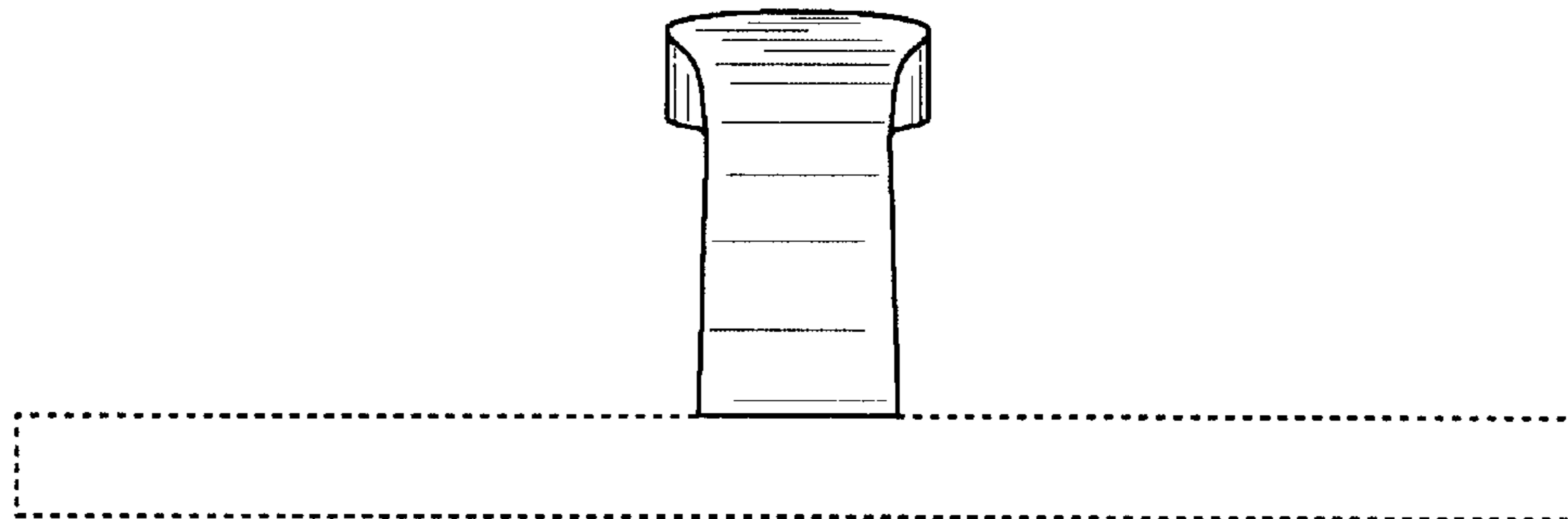


FIG. 4

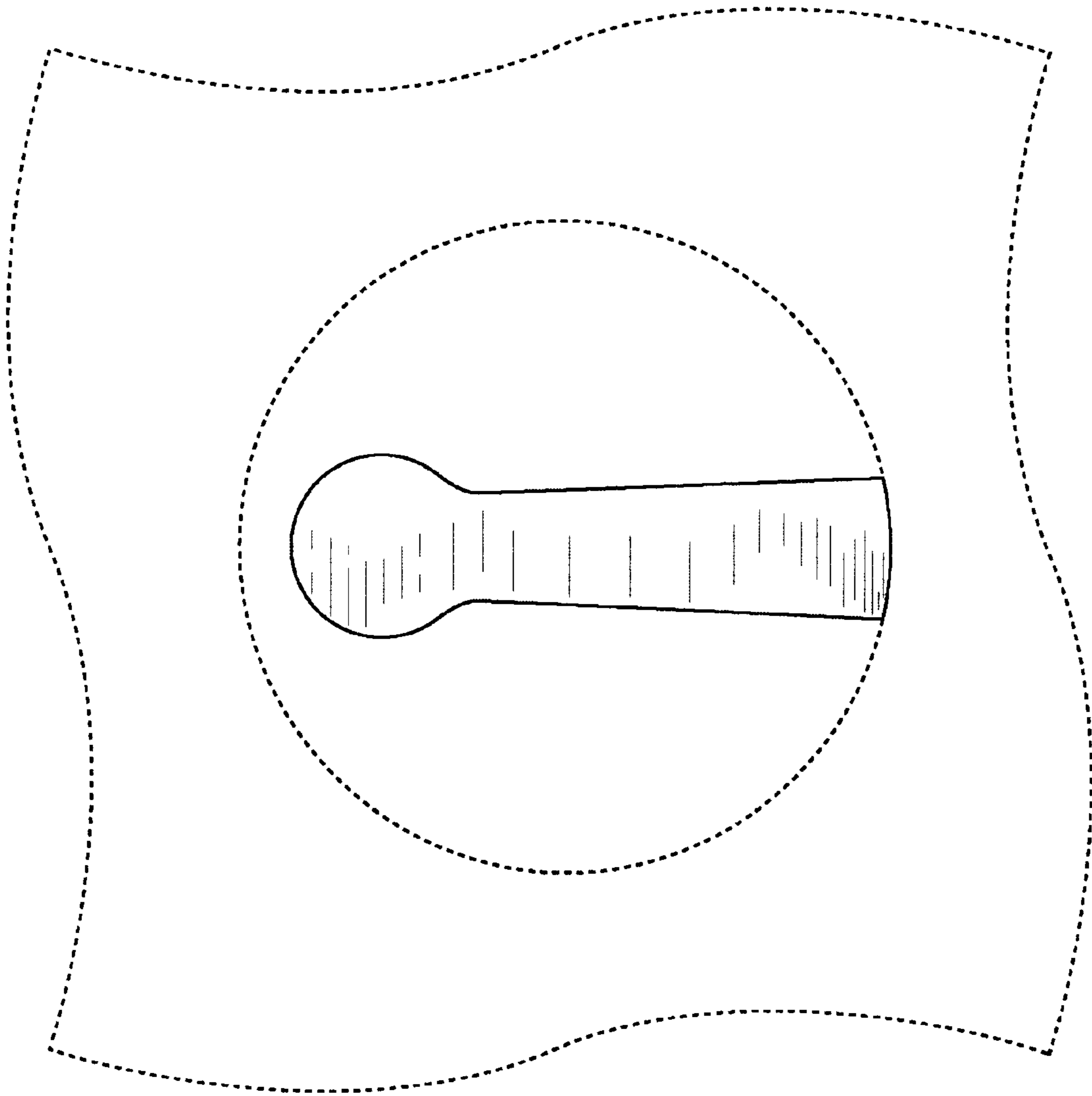


FIG. 5

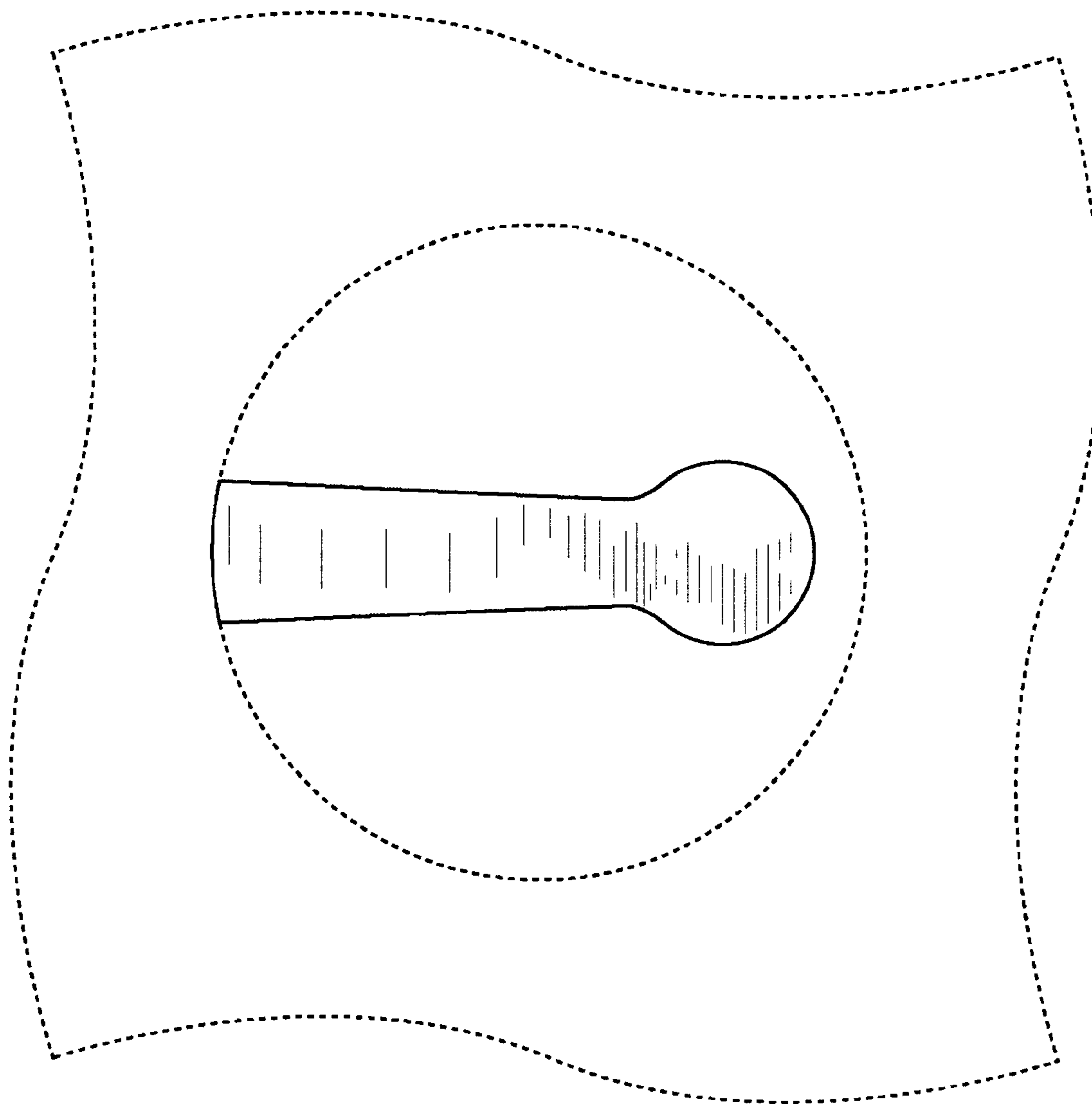


FIG. 6