



US00D522971S

(12) **United States Design Patent**
Shang-Yen et al.

(10) **Patent No.:** **US D522,971 S**
(45) **Date of Patent:** **** Jun. 13, 2006**

(54) **ELECTRICAL CONNECTOR**

(75) Inventors: **Huang Shang-Yen**, Taipei Hsien (TW);
Yang Sheng-Ho, Taipei Hsien (TW)

(73) Assignee: **Advanced Connectek, Inc.**, Taipei (TW)

(**) Term: **14 Years**

(21) Appl. No.: **29/233,946**

(22) Filed: **Jul. 13, 2005**

(51) **LOC (8) Cl.** **13-03**

(52) **U.S. Cl.** **D13/147**

(58) **Field of Classification Search** D13/133,
D13/146-147, 154, 199; 439/79, 83, 108,
439/181, 607-610, 639

See application file for complete search history.

(56) **References Cited**

U.S. PATENT DOCUMENTS

5,984,725	A	*	11/1999	Belopolsky et al.	439/607
5,993,258	A	*	11/1999	Matsunuma et al.	439/607
D419,524	S	*	1/2000	Chiou et al.	D13/147
D422,562	S	*	4/2000	Huang	D13/147
6,183,300	B1	*	2/2001	Belopolsky et al.	439/607
6,361,332	B1	*	3/2002	Froude et al.	439/83

6,416,359	B1	*	7/2002	Zhang et al.	439/607
6,554,648	B1	*	4/2003	Shi et al.	439/607
D499,381	S	*	12/2004	Hu et al.	D13/147
D509,800	S	*	9/2005	Hu et al.	D13/147
2002/0142636	A1	*	10/2002	Murr et al.	439/108

* cited by examiner

Primary Examiner—Stella Reid

Assistant Examiner—Daniel Bui

(74) *Attorney, Agent, or Firm*—Chauncey B. Johnson, Esq.;
Johnson & Associates, PC

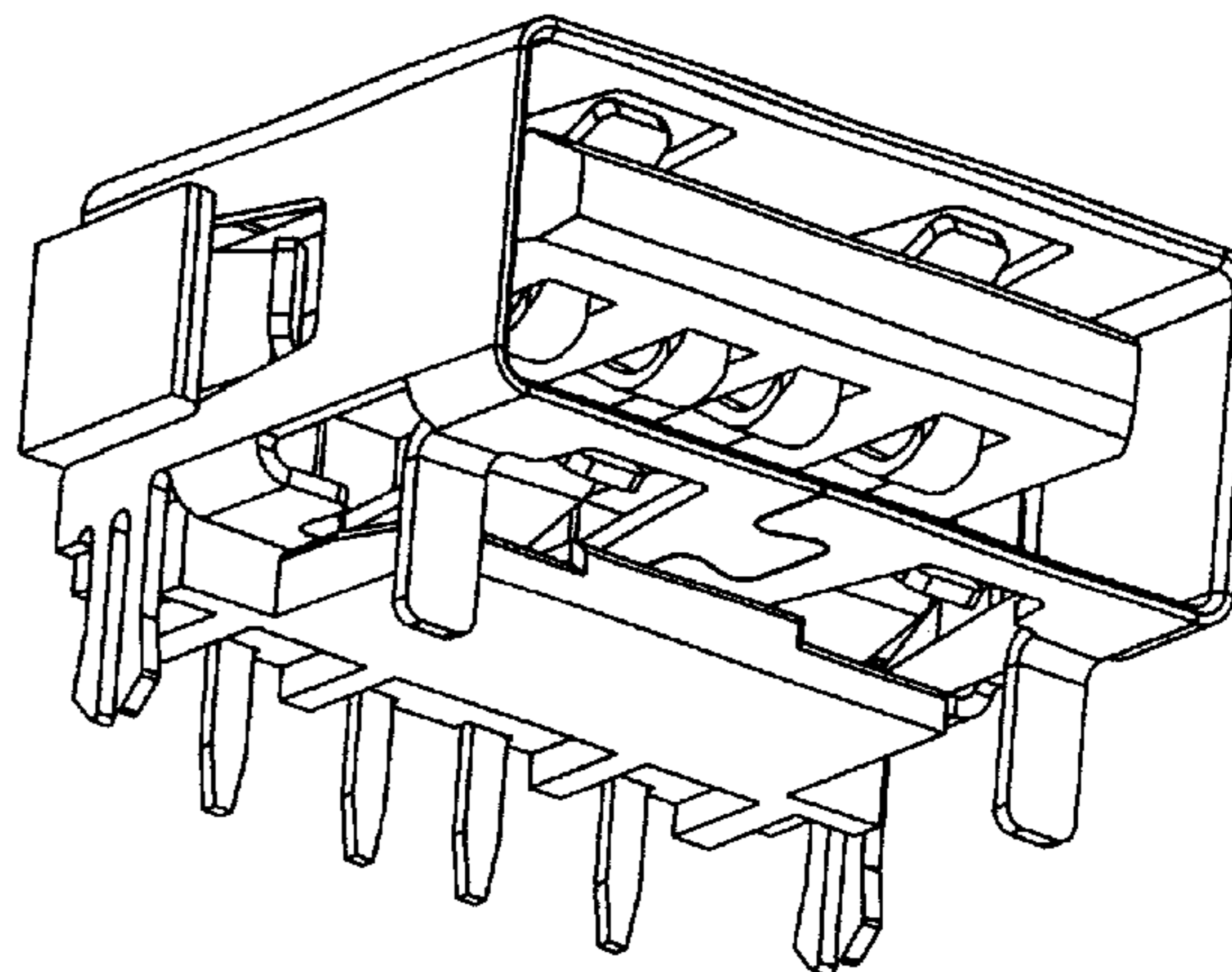
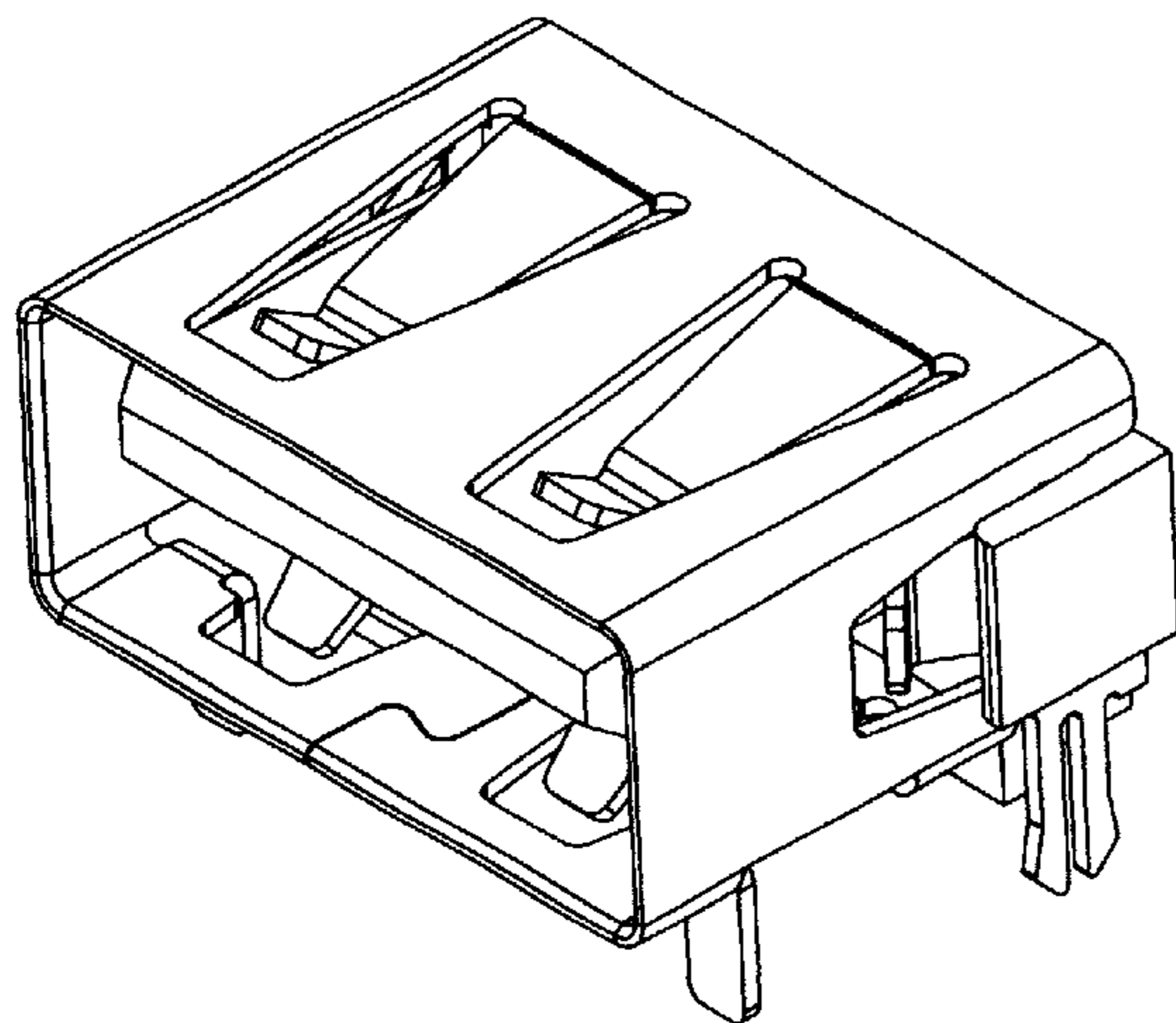
(57) **CLAIM**

The ornamental design for an electrical connector, as shown and described.

DESCRIPTION

FIG. 1 is a perspective view of an electrical connector showing our new design;
FIG. 2 is a front elevation view thereof;
FIG. 3 is a rear elevation view thereof;
FIG. 4 is a left side elevation view thereof;
FIG. 5 is a right side elevation view thereof;
FIG. 6 is a top plan view thereof;
FIG. 7 is a bottom plan view thereof; and,
FIG. 8 is another perspective view thereof.

1 Claim, 5 Drawing Sheets



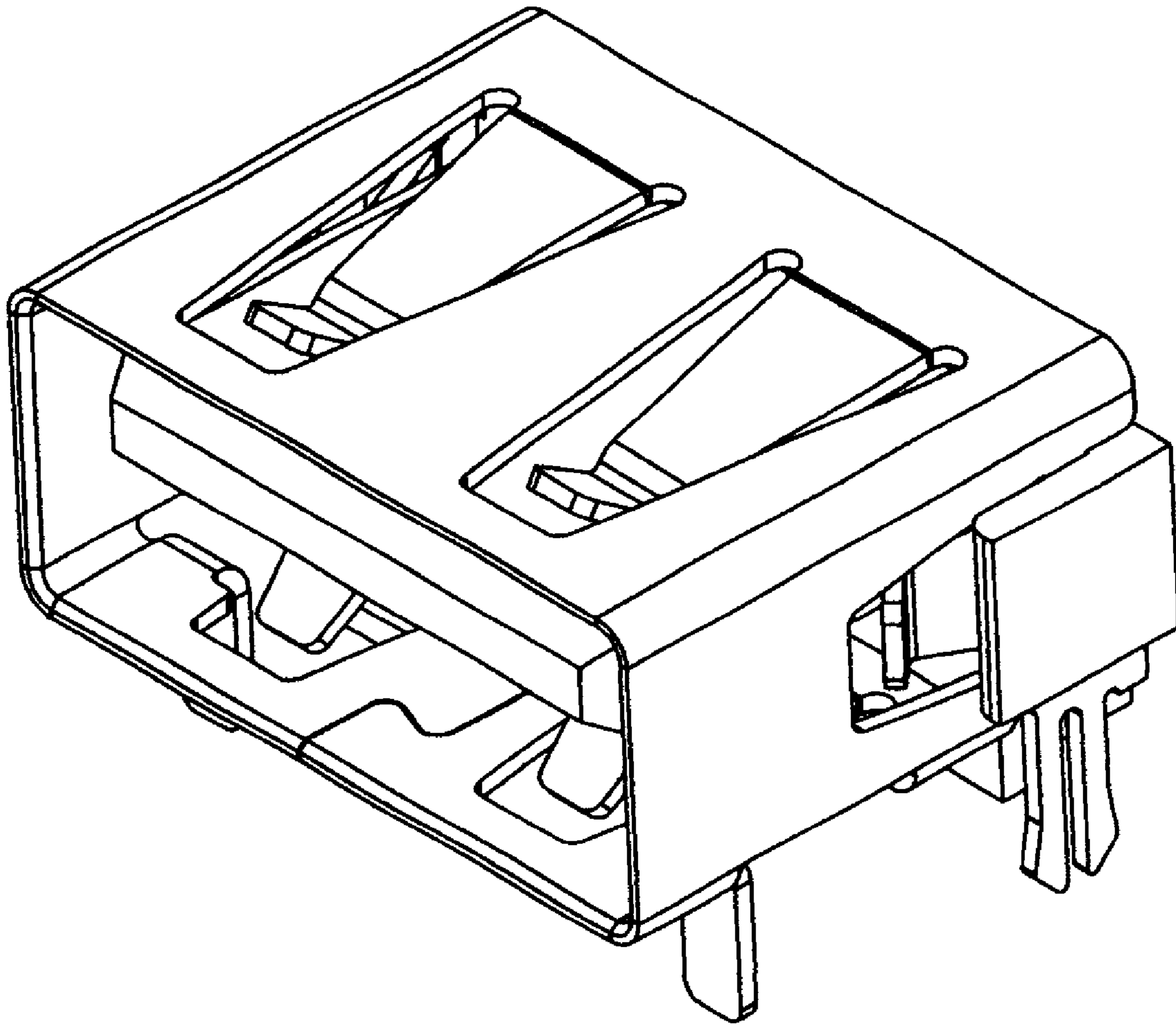


FIG.1

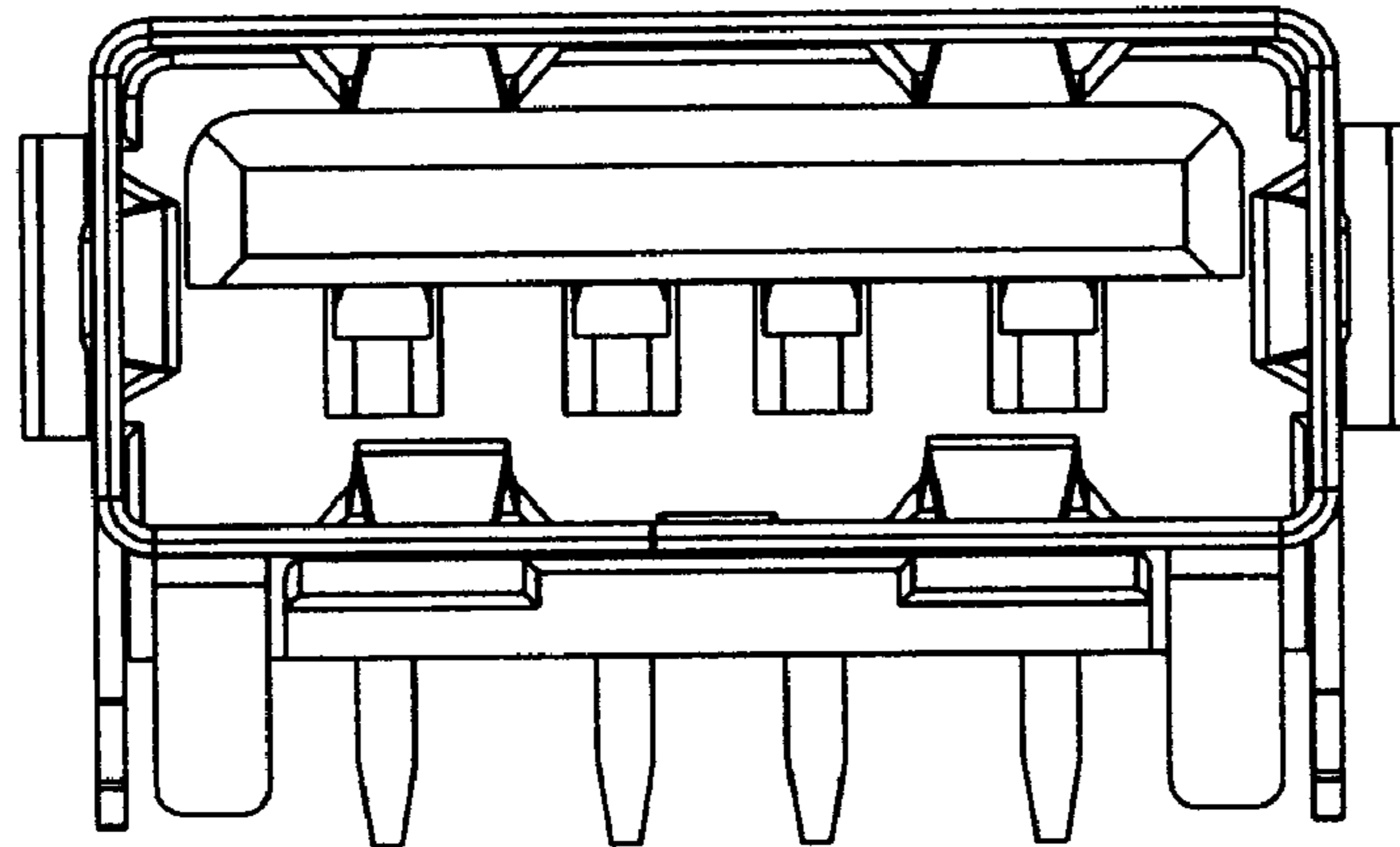


FIG. 2

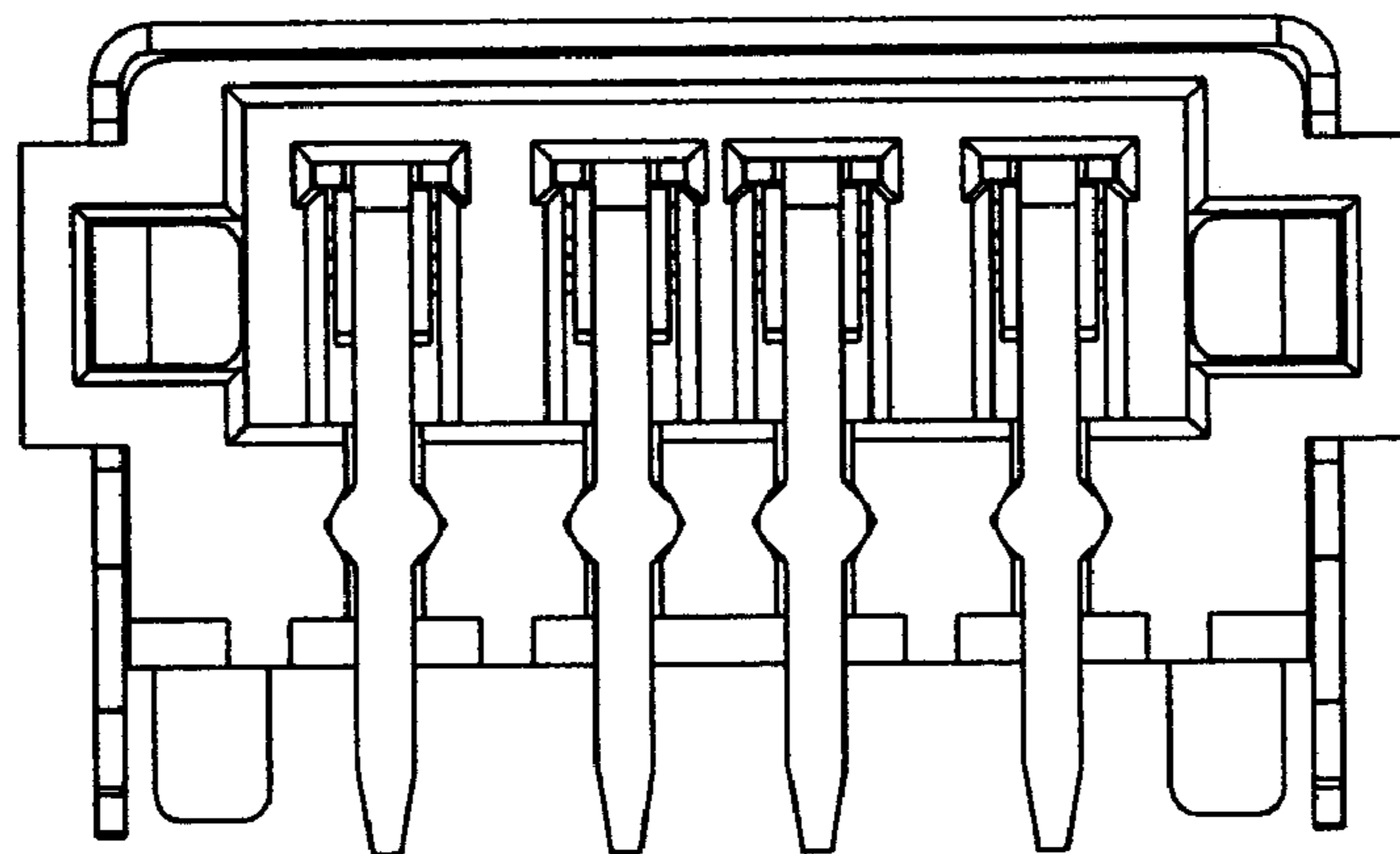


FIG. 3

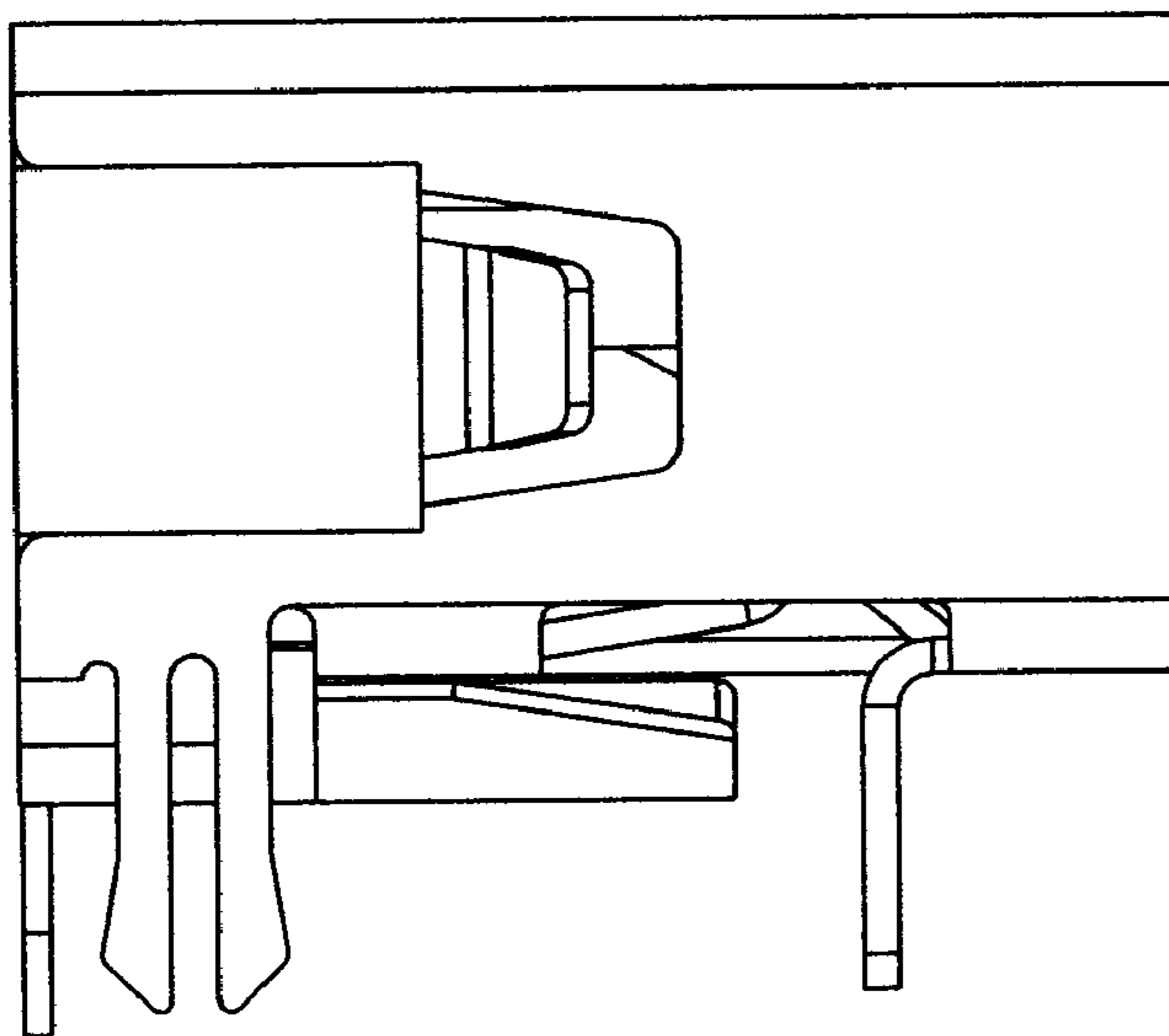


FIG. 4

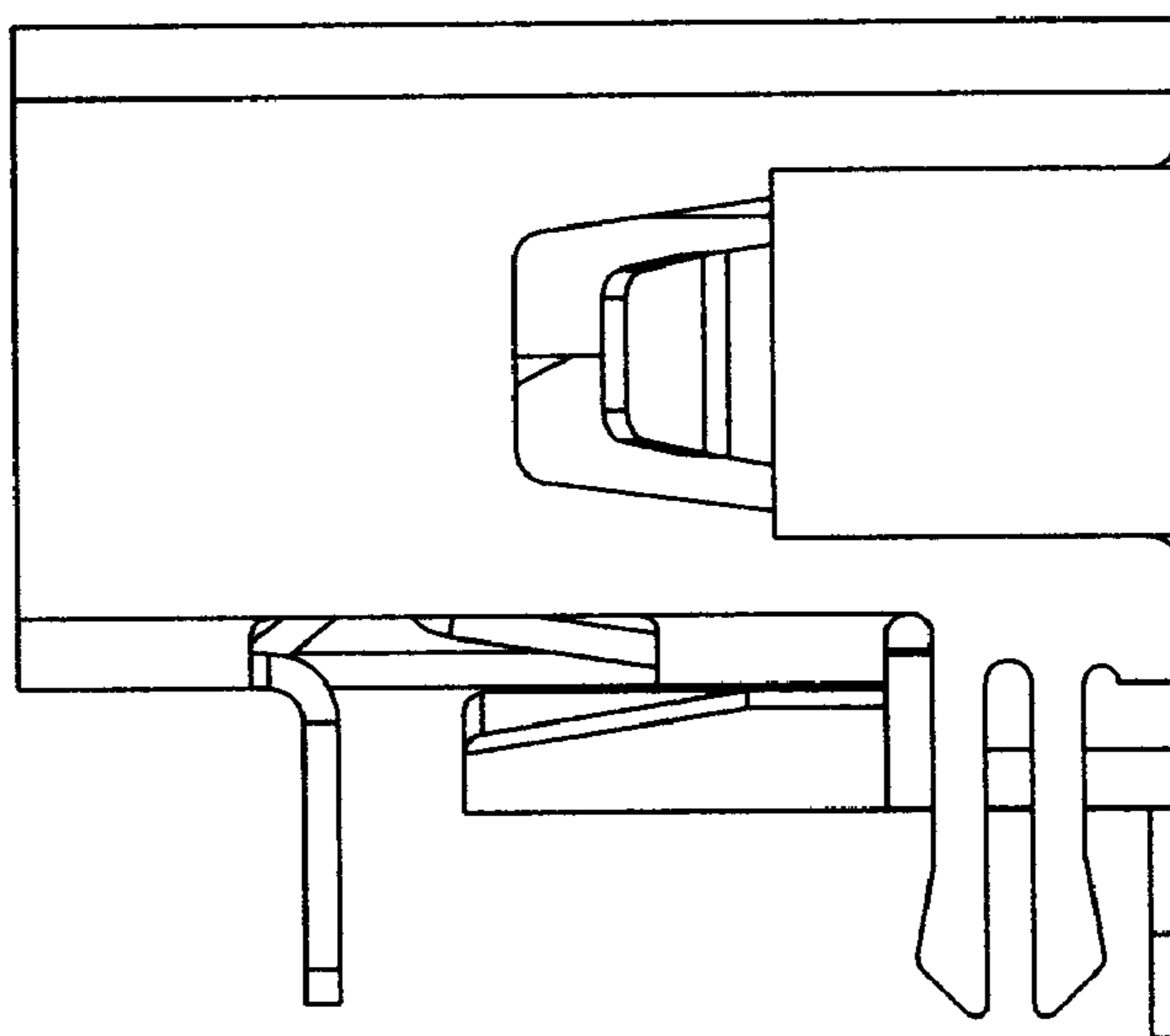


FIG. 5

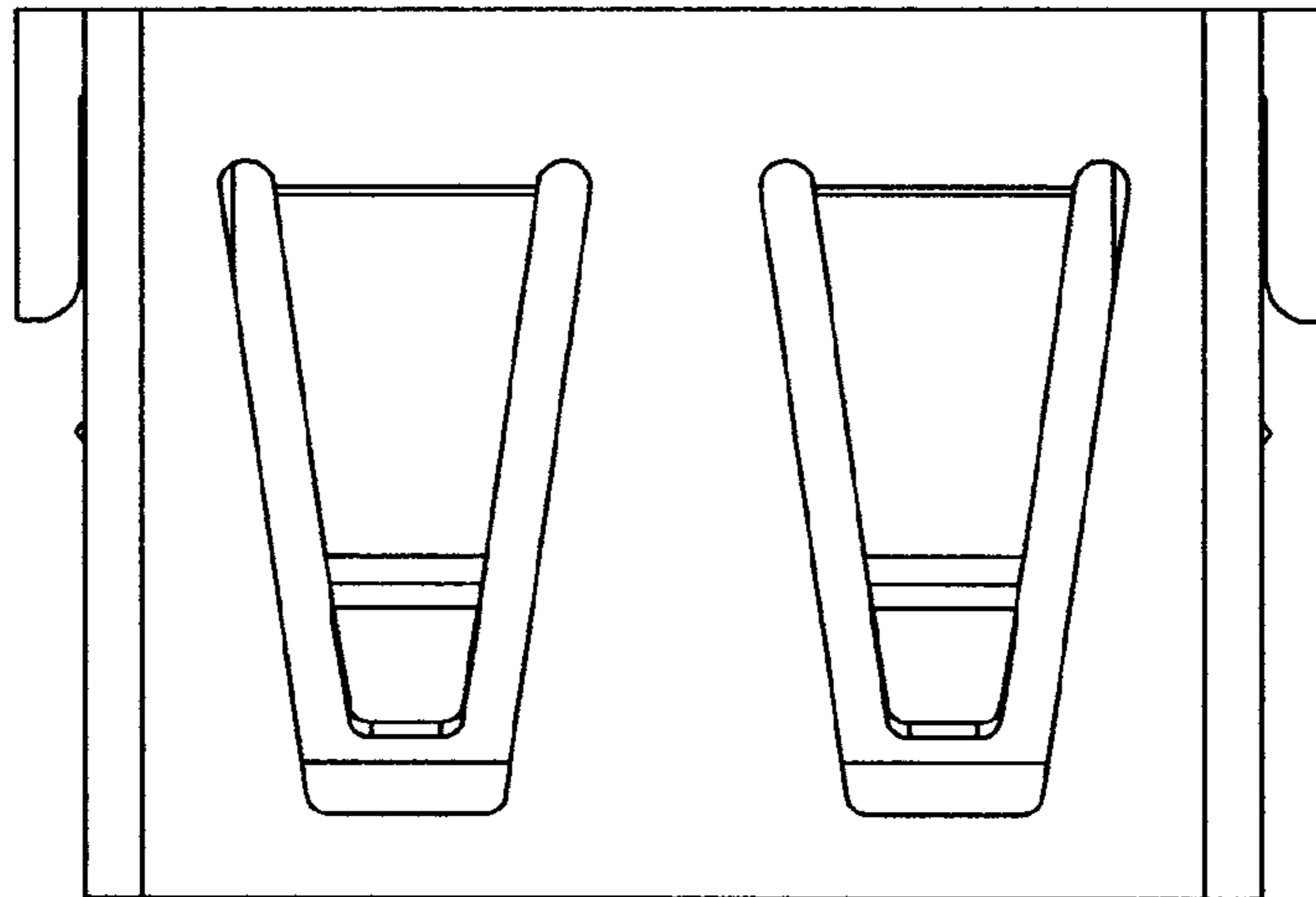


FIG. 6

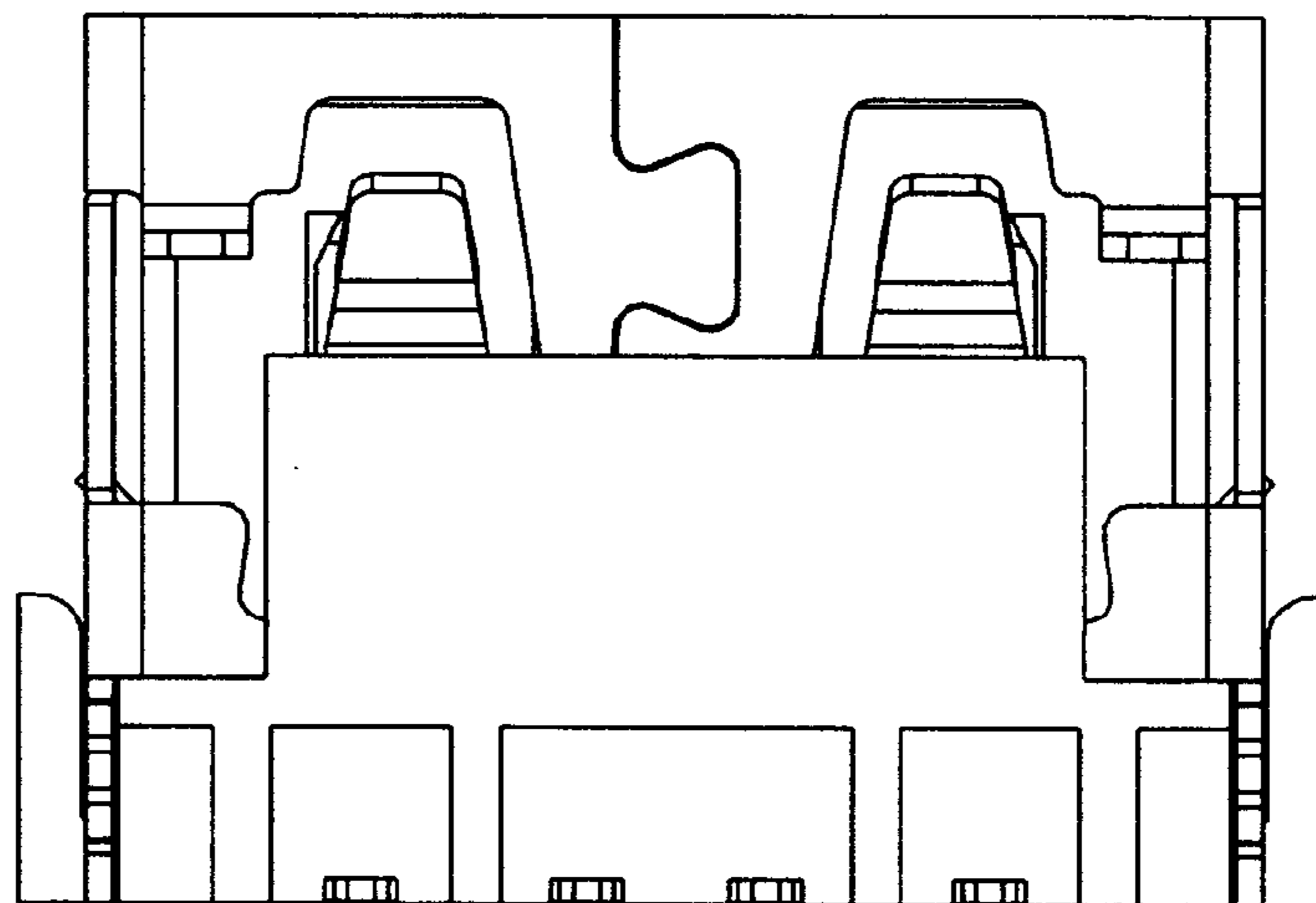


FIG. 7

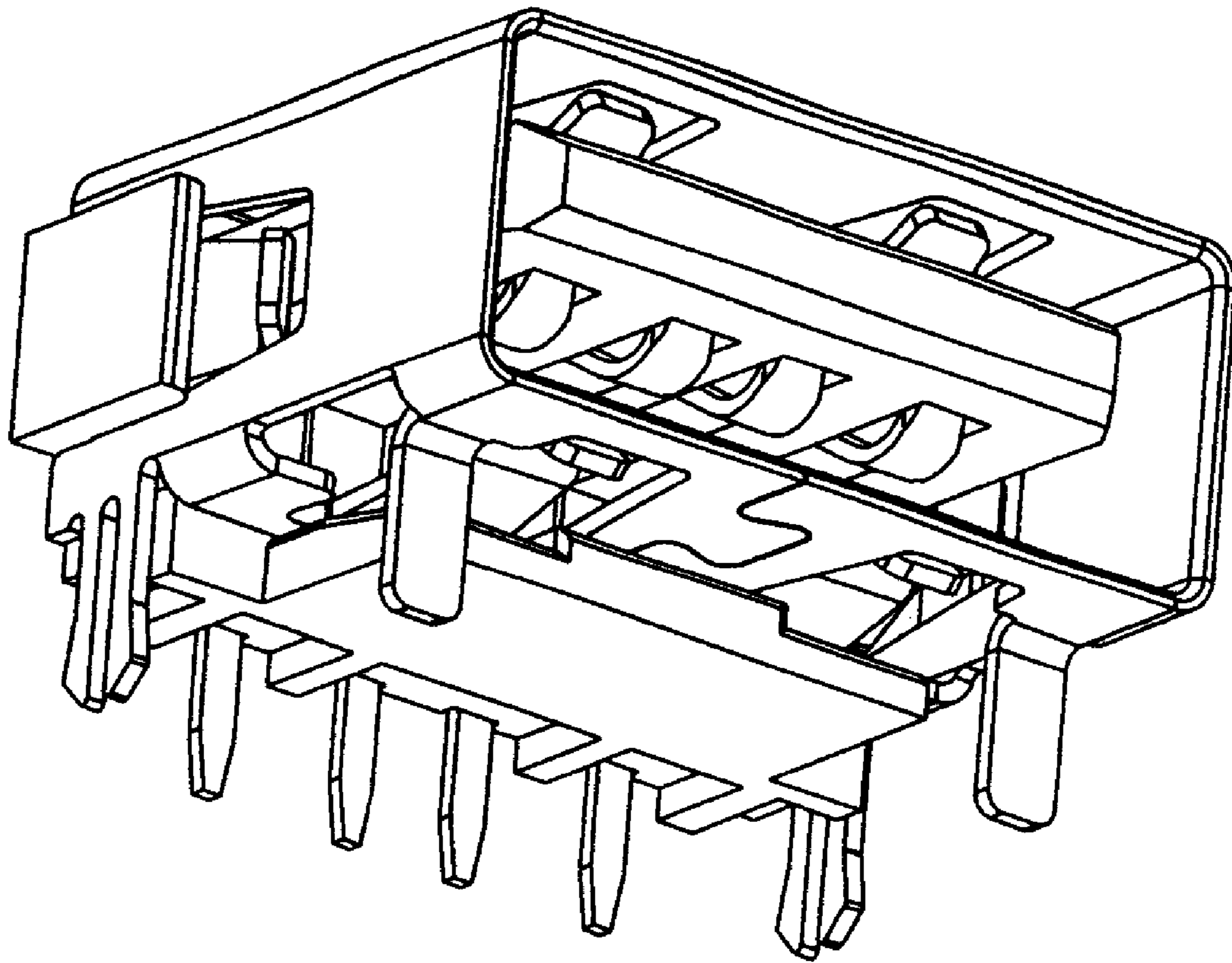


FIG.8