

US00D522969S

(12) **United States Design Patent**  
**Nishio et al.**

(10) **Patent No.:** **US D522,969 S**

(45) **Date of Patent:** **\*\* Jun. 13, 2006**

(54) **CONNECTOR**

(75) Inventors: **Atsushi Nishio**, Tama (JP); **Yoshinori Ohta**, Tama (JP); **Taro Ise**, Hachioji (JP)

(73) Assignee: **Mitsumi Electric Co., Ltd.**, Tokyo (JP)

(\*\*) Term: **14 Years**

(21) Appl. No.: **29/231,307**

(22) Filed: **Jun. 3, 2005**

(30) **Foreign Application Priority Data**

Feb. 1, 2005 (JP) ..... 2005-002569

(51) **LOC (8) Cl.** ..... **13-03**

(52) **U.S. Cl.** ..... **D13/147**

(58) **Field of Classification Search** ..... D13/133,  
D13/146-147, 154, 199; 439/79, 83, 108,  
439/181, 607-610, 639

See application file for complete search history.

(56) **References Cited**

**U.S. PATENT DOCUMENTS**

D295,850 S \* 5/1988 Kikuta ..... D13/147

D380,196 S \* 6/1997 Aramaki ..... D13/147

6,416,359 B1 \* 7/2002 Zhang et al. .... 439/607

D465,767 S \* 11/2002 Zhu et al. .... D13/147

6,475,033 B1 \* 11/2002 Zhu et al. .... 439/607

D488,446 S \* 4/2004 Sato ..... D13/147

6,758,685 B1 \* 7/2004 Huang et al. .... 439/79

D503,927 S \* 4/2005 Yoneyama et al. .... D13/147

D508,679 S \* 8/2005 Li et al. .... D13/147

\* cited by examiner

*Primary Examiner*—Prabhakar Deshmukh

*Assistant Examiner*—Daniel Bui

(74) *Attorney, Agent, or Firm*—Sughrue Mion, PLLC

(57) **CLAIM**

The ornamental design for a connector, as shown.

**DESCRIPTION**

FIG. 1 is a perspective view of the top, front and right side of a connector showing our new design;

FIG. 2 is a front elevational view thereof;

FIG. 3 is a rear elevational view thereof;

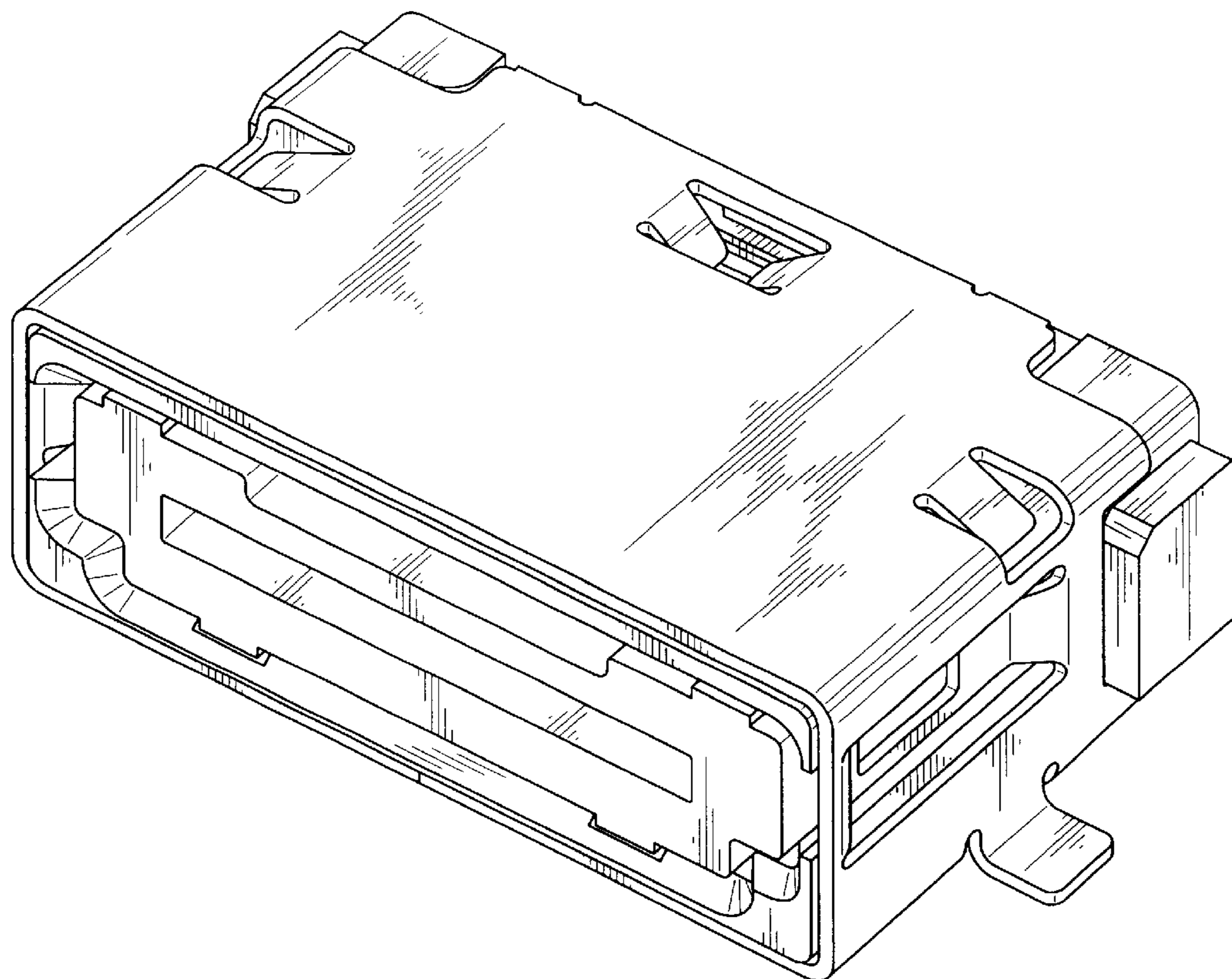
FIG. 4 is a right side elevational view thereof;

FIG. 5 is a left side elevational view thereof;

FIG. 6 is a top plan view thereof; and,

FIG. 7 is a bottom plan view thereof.

**1 Claim, 4 Drawing Sheets**



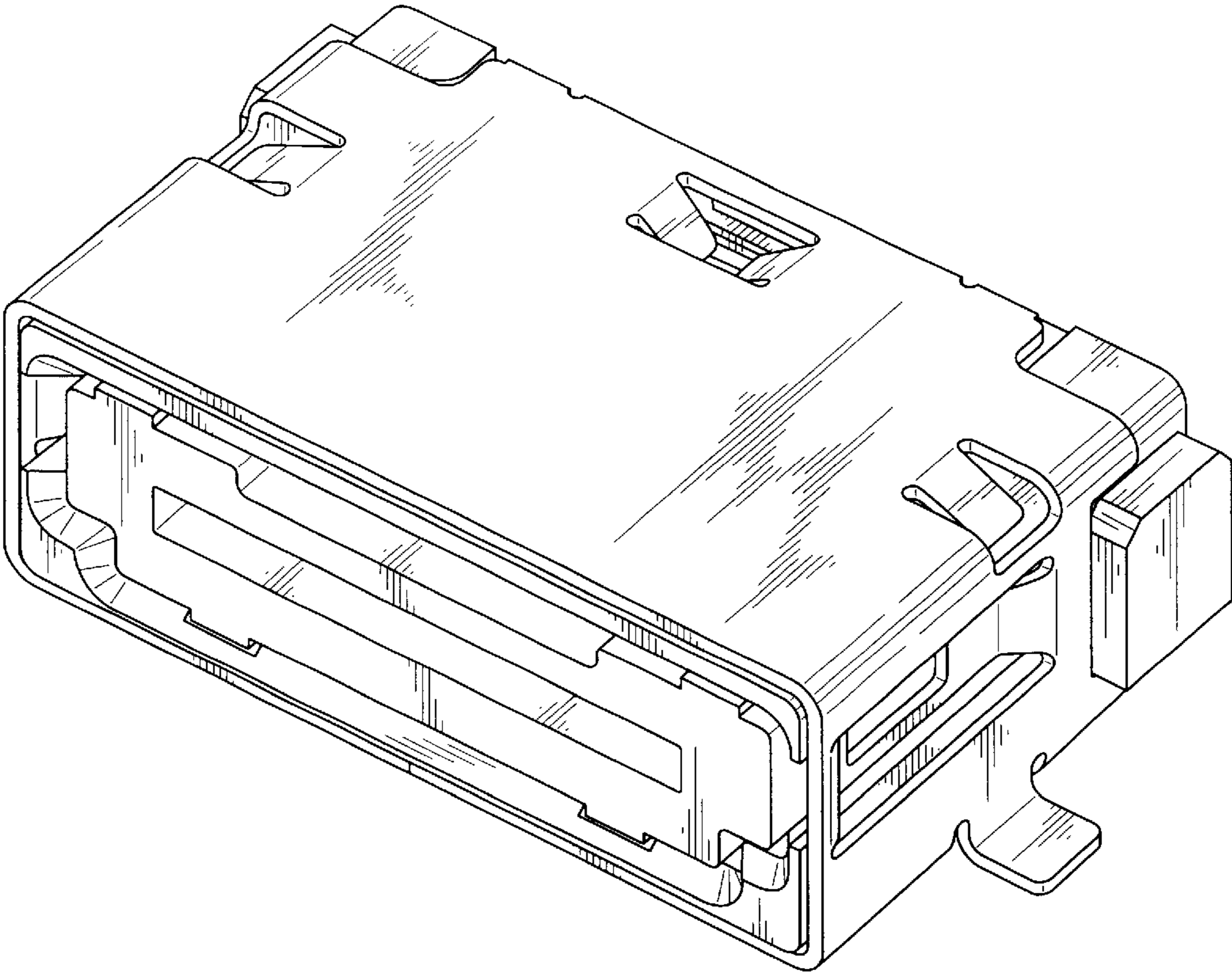
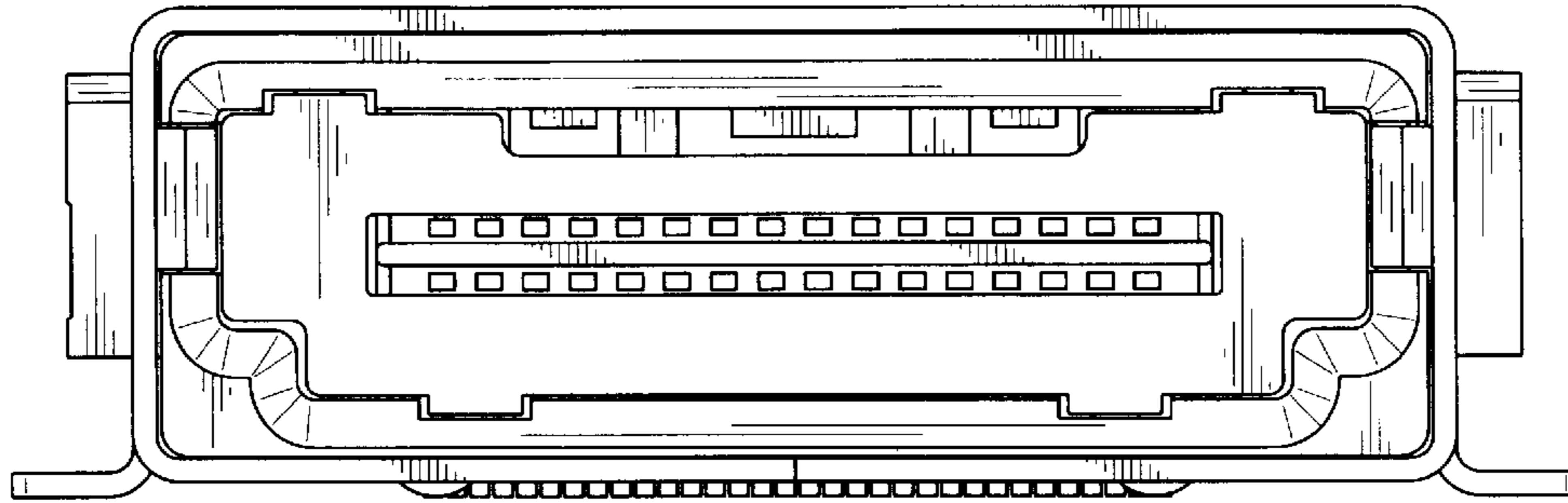
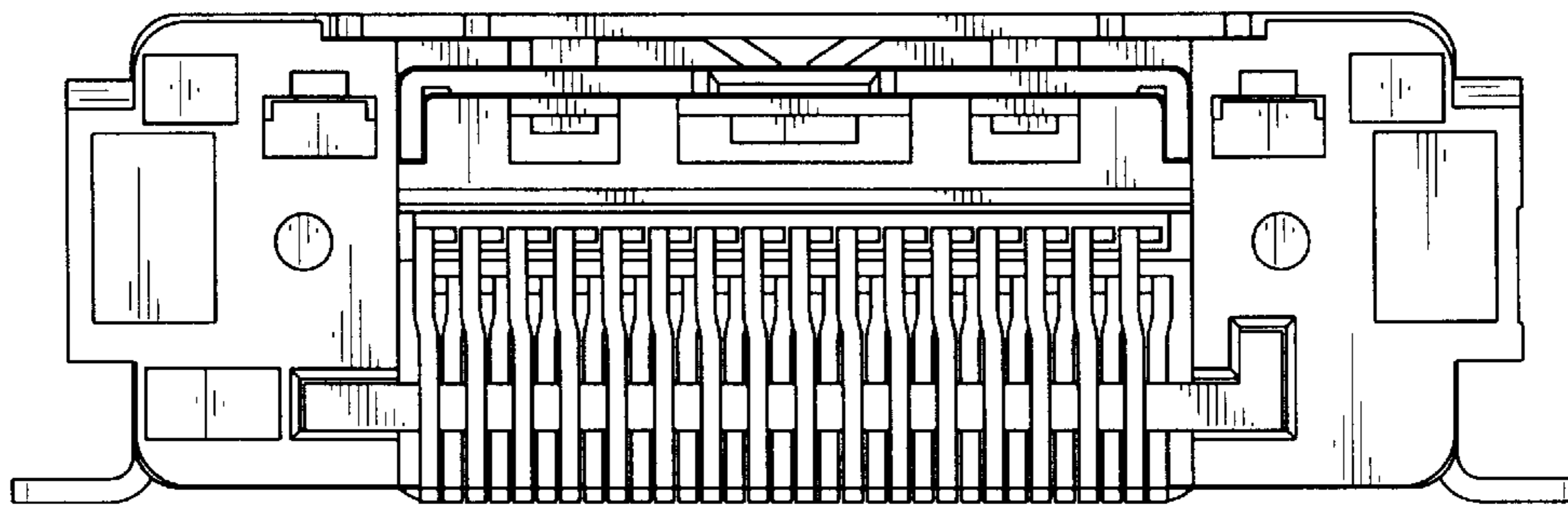


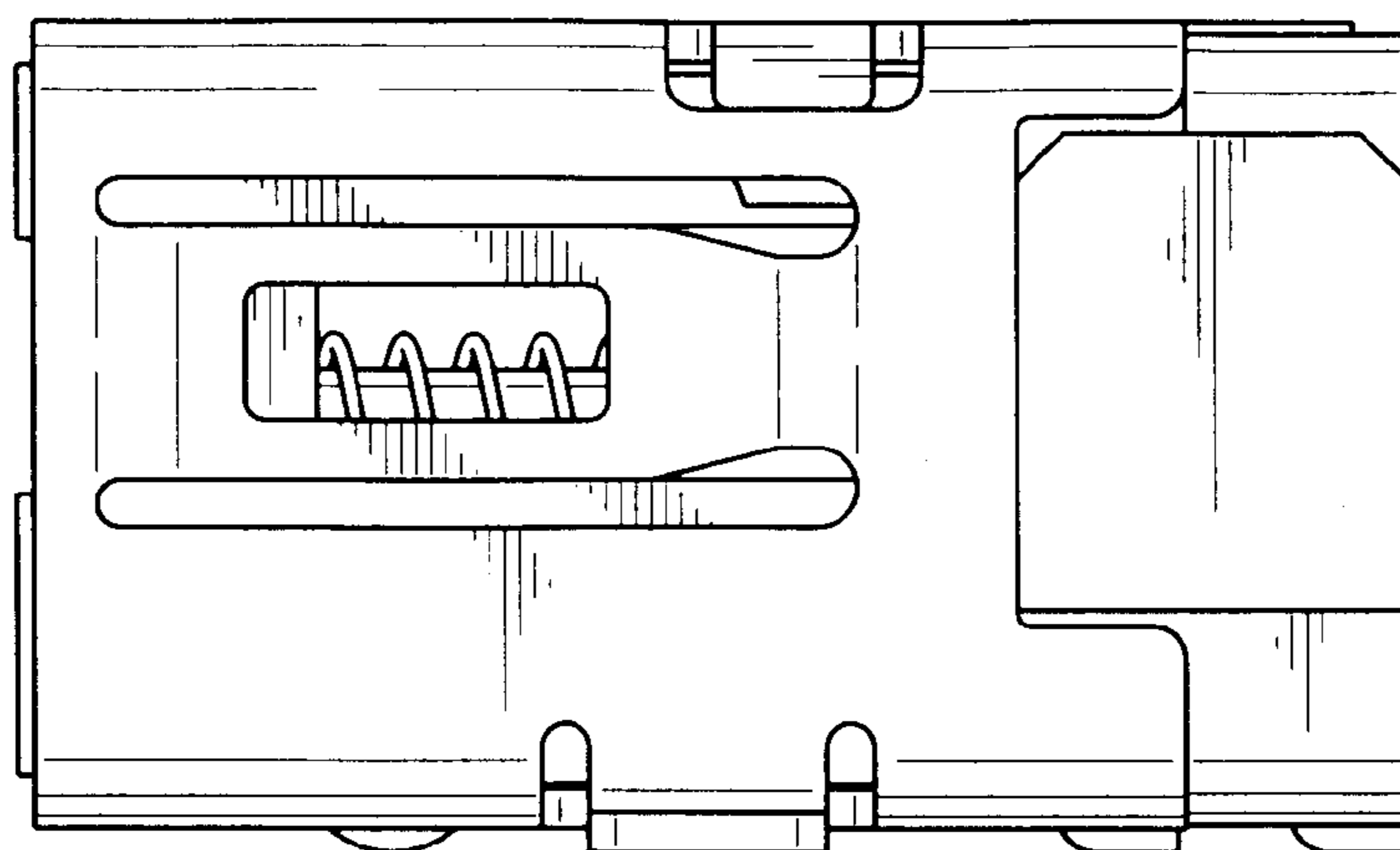
FIG. 1



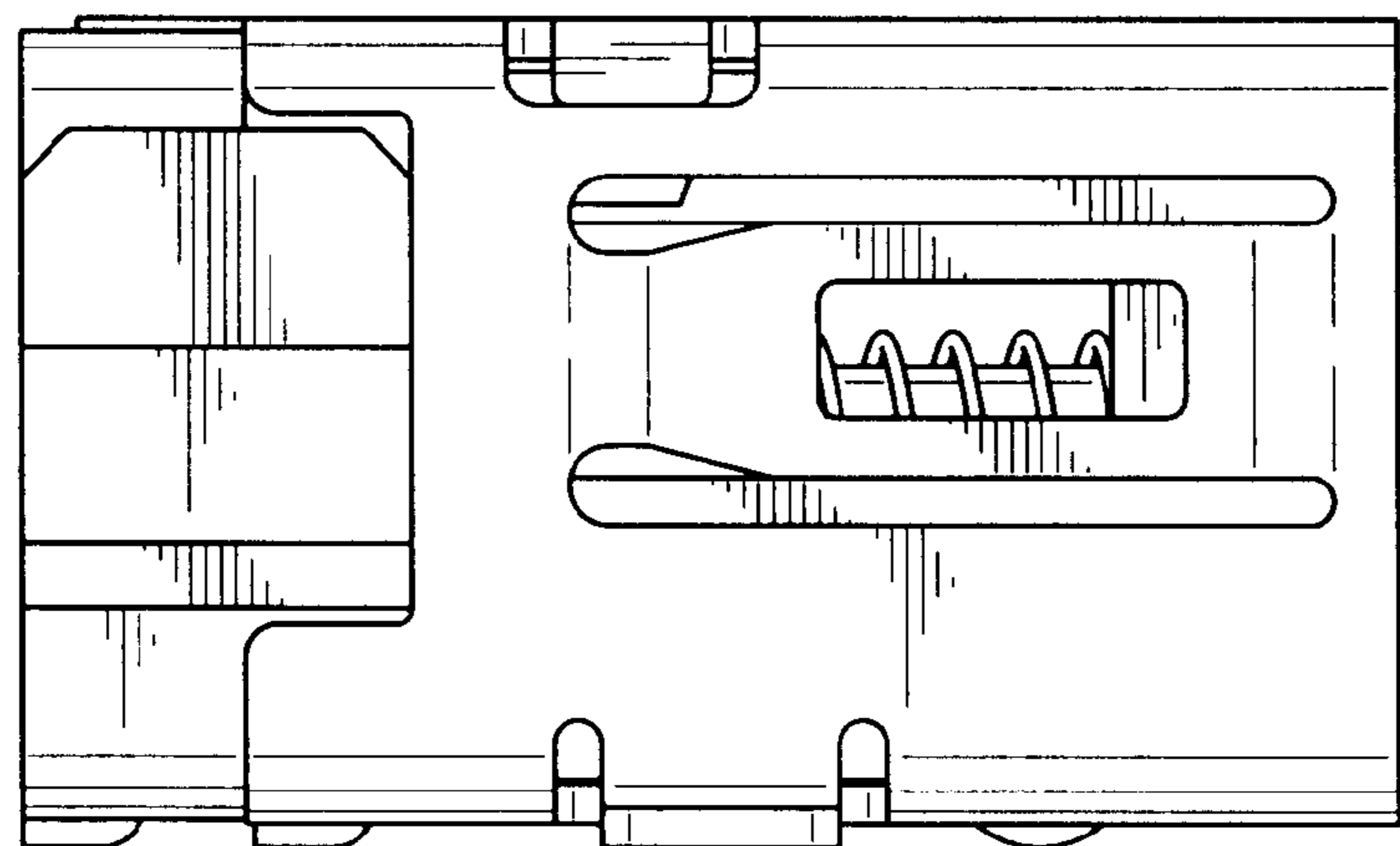
*FIG. 2*



*FIG. 3*



*FIG. 4*



*FIG. 5*

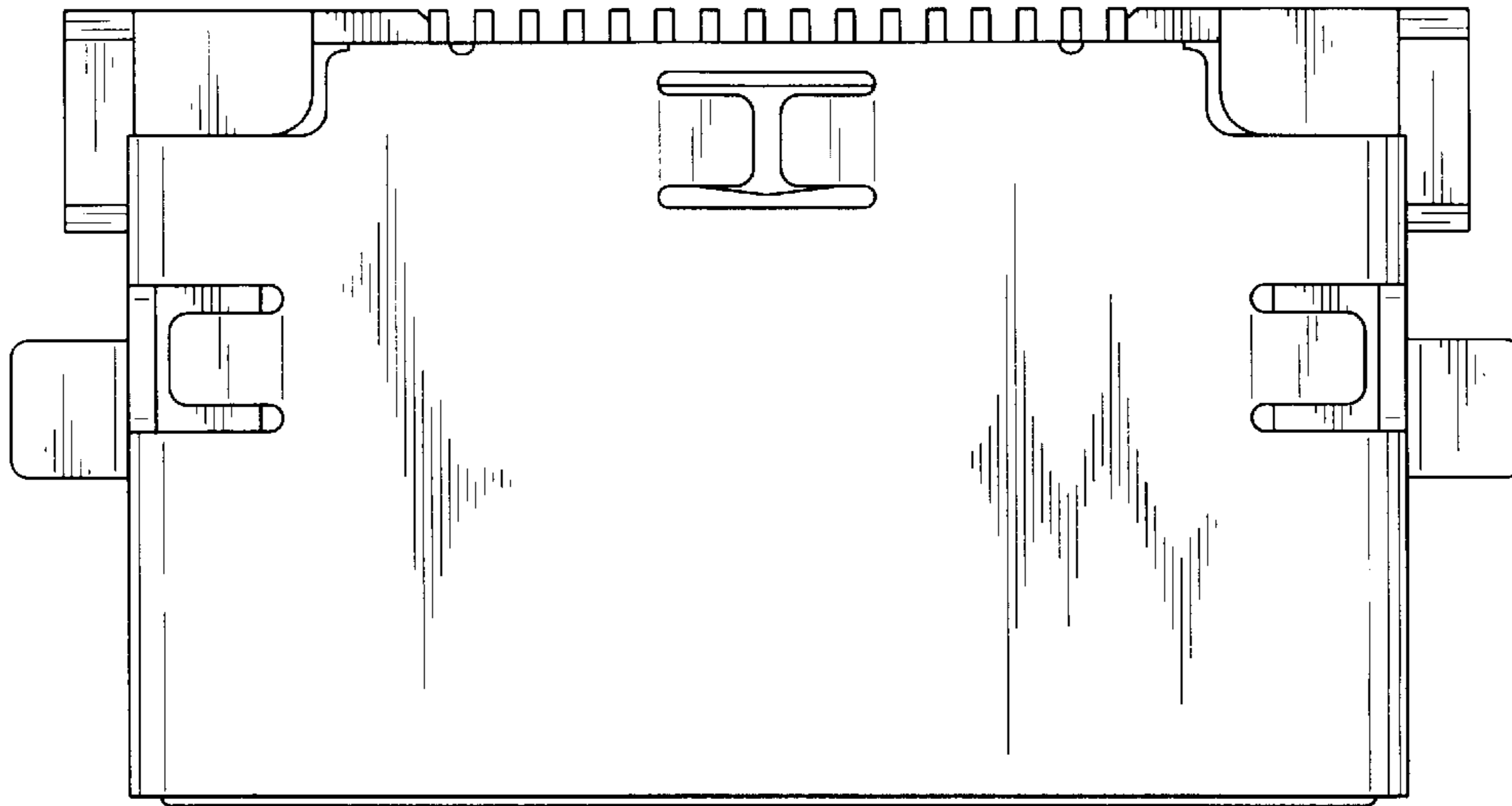


FIG. 6

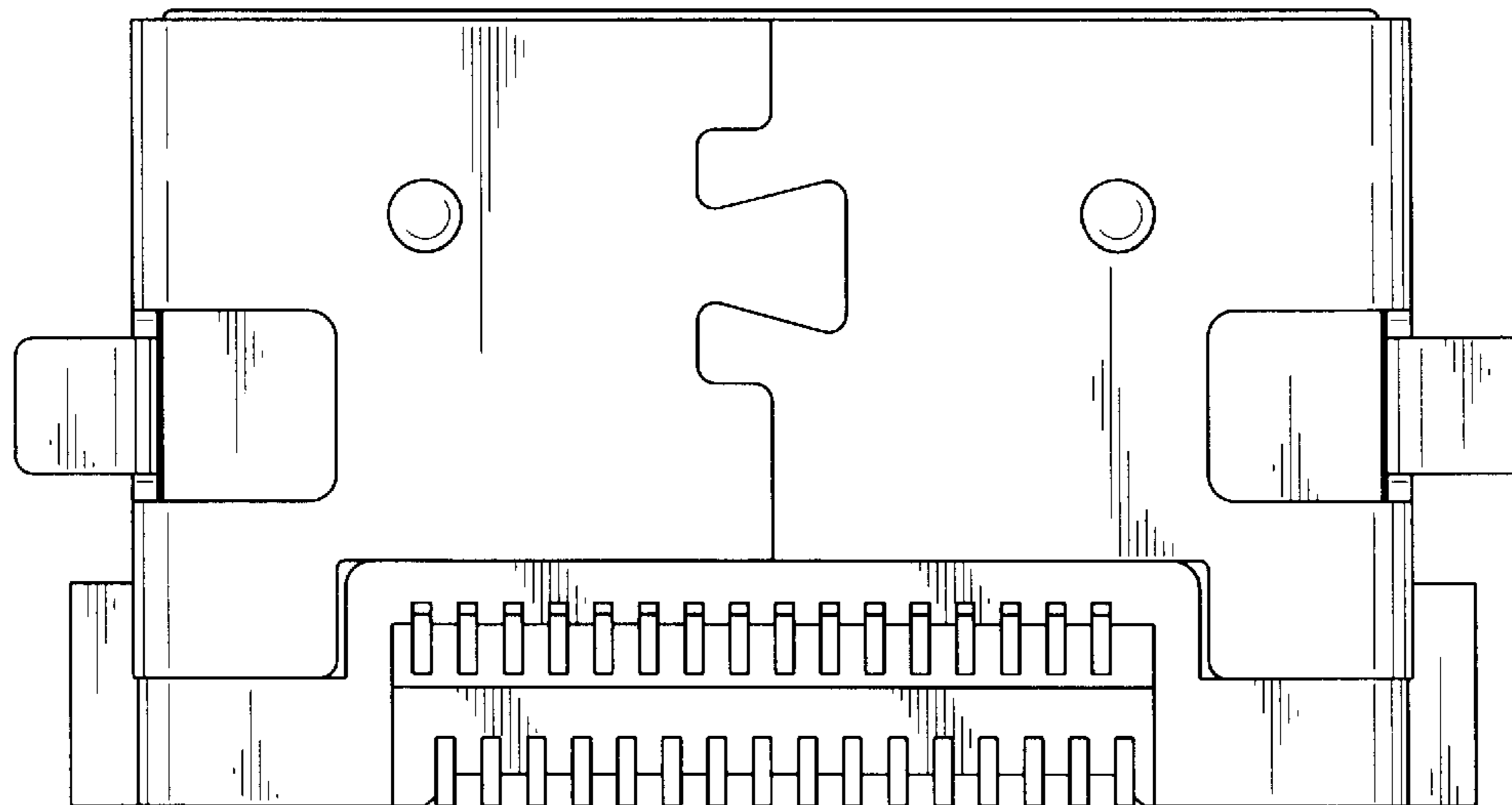


FIG. 7