



US00D522968S

(12) **United States Design Patent**
Hu et al.

(10) **Patent No.:** **US D522,968 S**
(45) **Date of Patent:** **** Jun. 13, 2006**

(54) **ELECTRICAL CONNECTOR**

(75) Inventors: **Lun Song Hu**, Kunsan (CN); **Hill (Jia-Yong) He**, Kunsan (CN); **Bo Liu**, Kunsan (CN)

(73) Assignee: **Hon Hai Precision Ind. Co., Ltd.**, Taipei Hsien (TW)

(**) Term: **14 Years**

(21) Appl. No.: **29/220,482**

(22) Filed: **Dec. 29, 2004**

(30) **Foreign Application Priority Data**

Jul. 28, 2004 (CN) 2004300687321

(51) **LOC (8) Cl.** **13-03**

(52) **U.S. Cl.** **D13/147**

(58) **Field of Classification Search** D13/133, D13/146-147, 154, 199; 439/79, 83, 108, 439/181, 607-610, 639

See application file for complete search history.

(56) **References Cited**

U.S. PATENT DOCUMENTS

D380,196 S * 6/1997 Aramaki D13/147
5,984,725 A * 11/1999 Belopolsky et al. 439/607

6,183,300 B1 * 2/2001 Belopolsky et al. 439/607
6,416,359 B1 * 7/2002 Zhang et al. 439/607
D465,459 S * 11/2002 Zhu et al. D13/147
D465,767 S * 11/2002 Zhu et al. D13/147
6,554,648 B1 * 4/2003 Shi et al. 439/607
D504,401 S * 4/2005 Wang et al. D13/147
D508,679 S * 8/2005 Li et al. D13/147
D509,800 S * 9/2005 Hu et al. D13/147
2002/0142636 A1 * 10/2002 Murr et al. 439/108

* cited by examiner

Primary Examiner—Stella Reid
Assistant Examiner—Daniel Bui

(74) *Attorney, Agent, or Firm*—Wei Te Chung

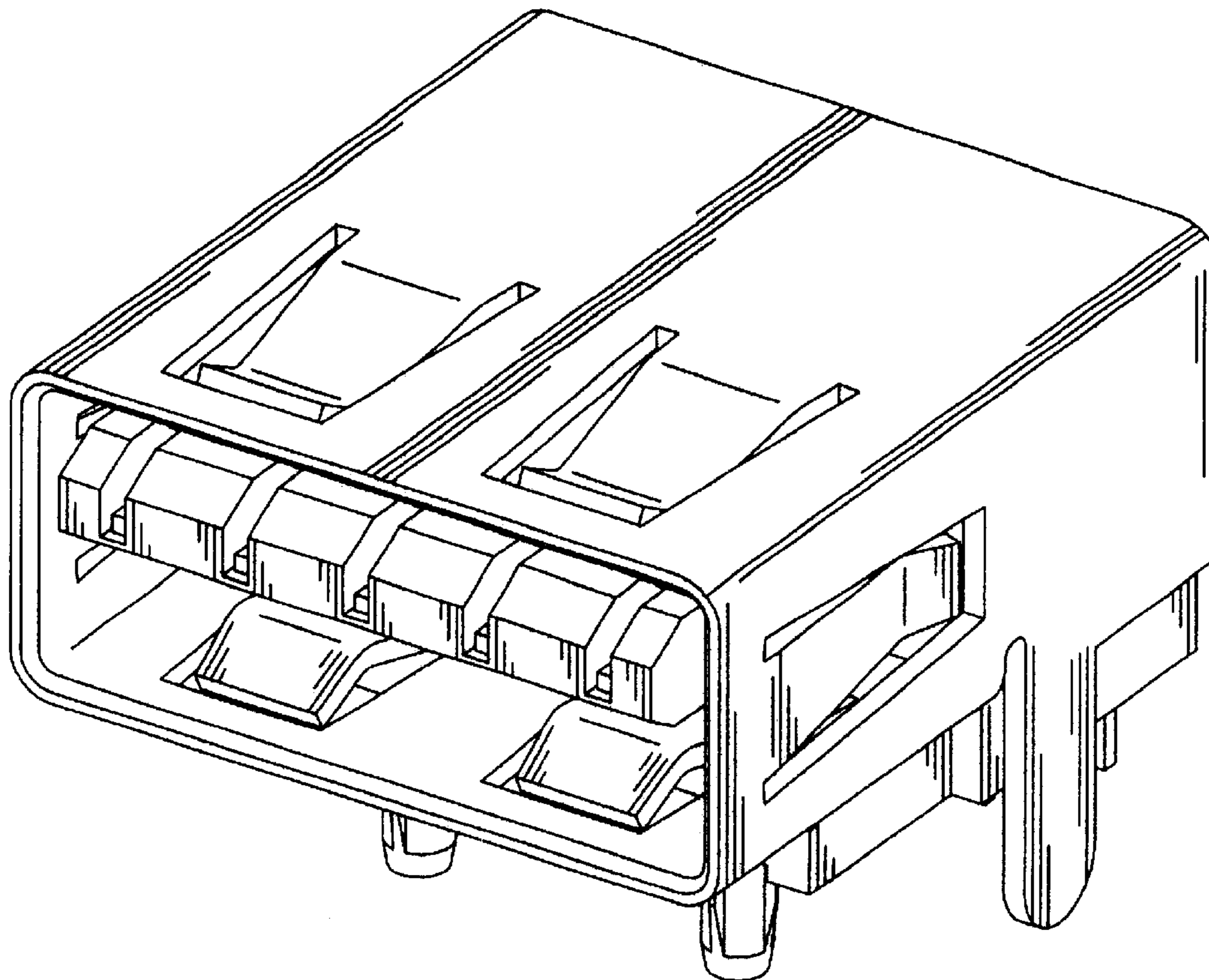
(57) **CLAIM**

The ornamental design for an electrical connector, as shown.

DESCRIPTION

FIG. 1 is a front, top and right side perspective view of an electrical connector showing our new design; FIG. 2 is a front elevational view thereof; FIG. 3 is a rear elevational view thereof; FIG. 4 is a left side elevational view thereof; FIG. 5 is a right side elevational view thereof; FIG. 6 is a top plan view thereof; and, FIG. 7 is a bottom plan view thereof.

1 Claim, 7 Drawing Sheets



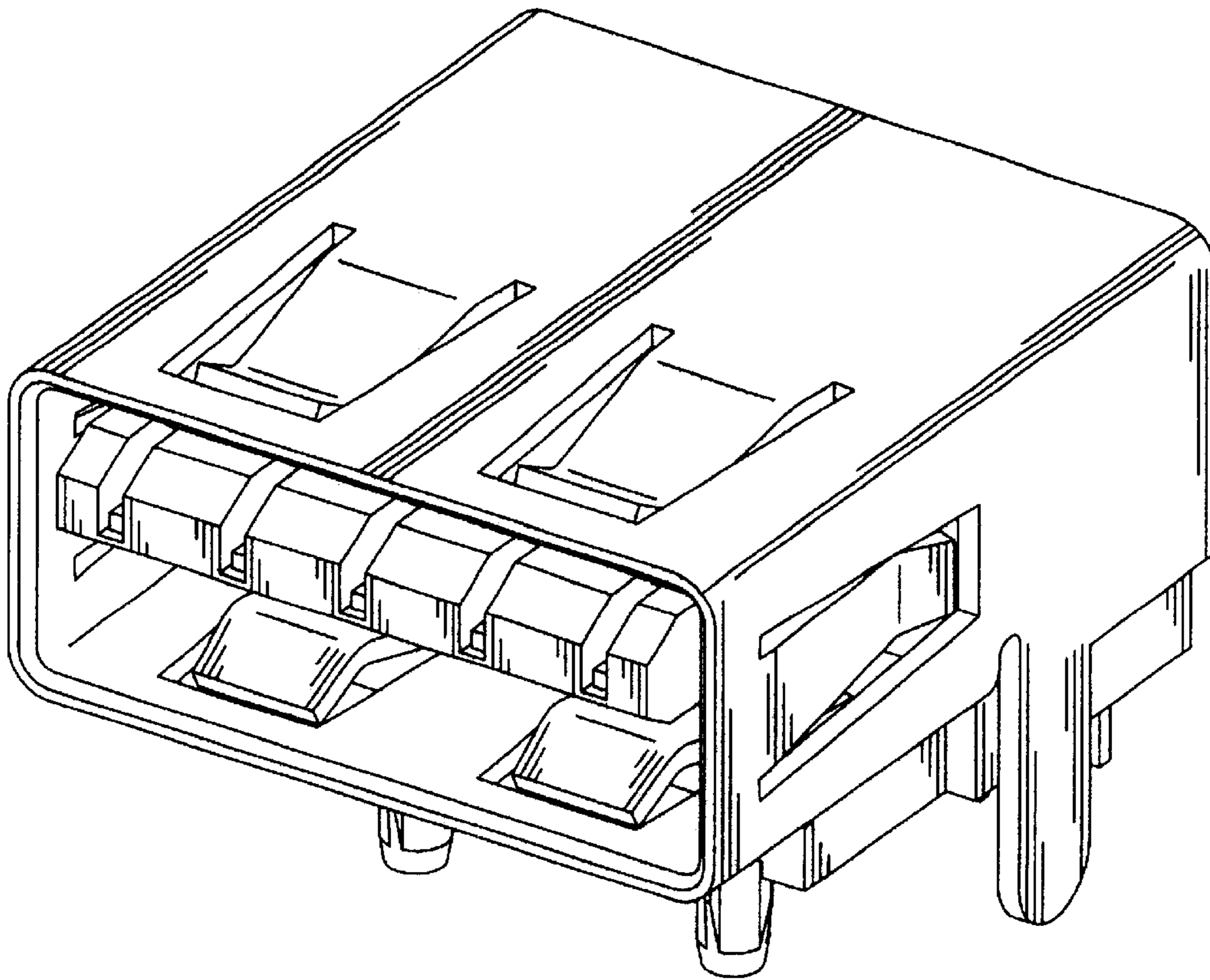


FIG. 1

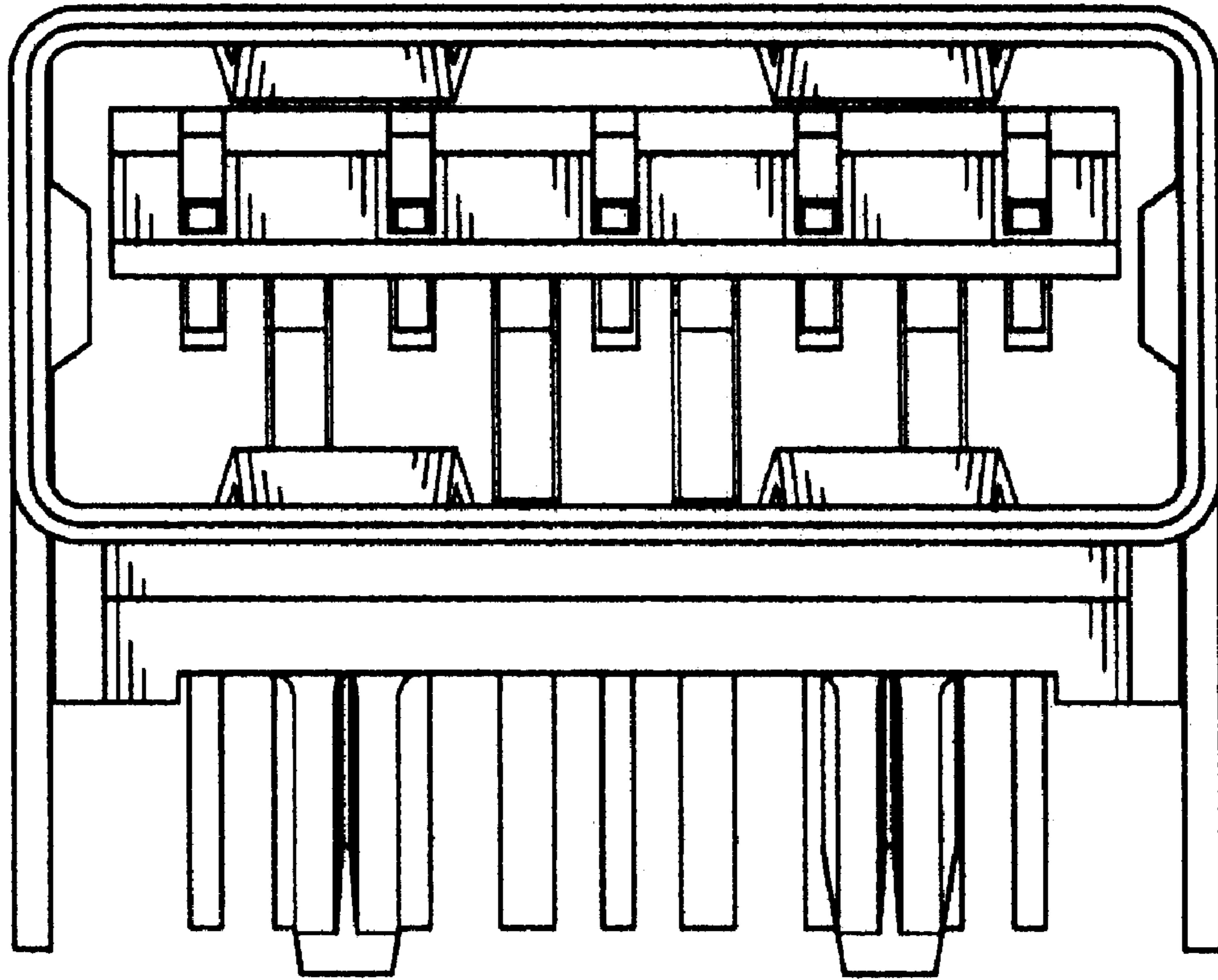


FIG. 2

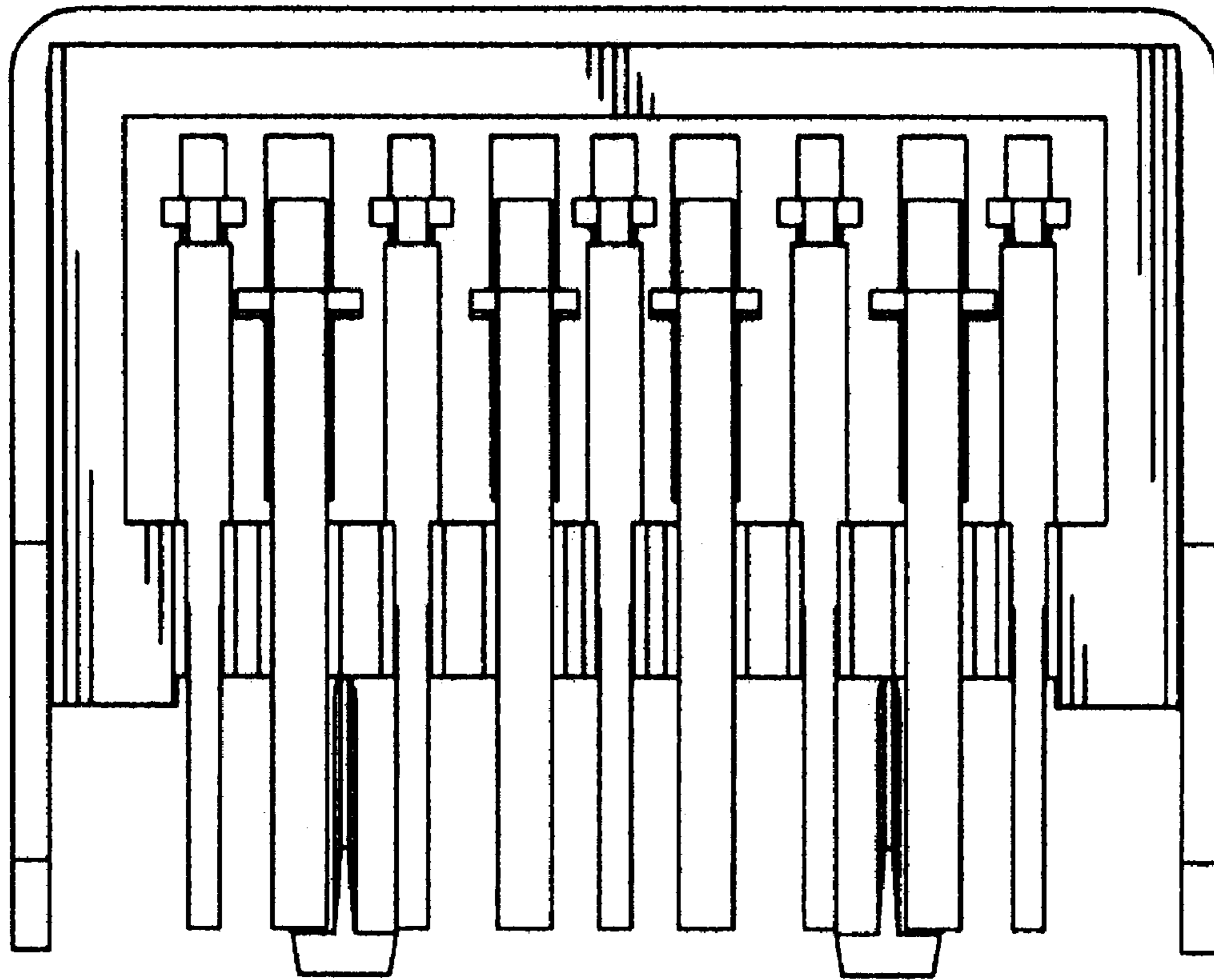


FIG. 3

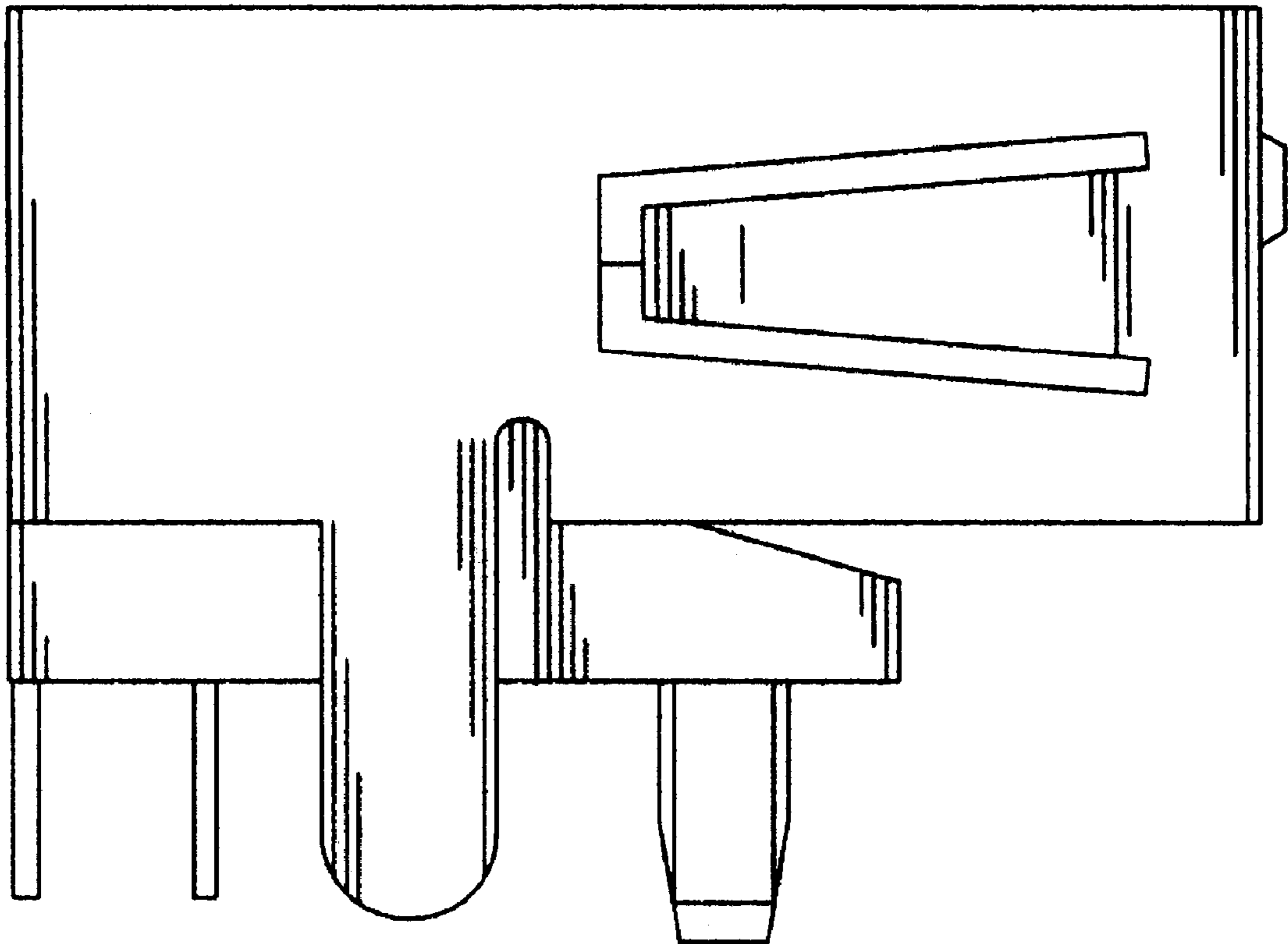


FIG. 4

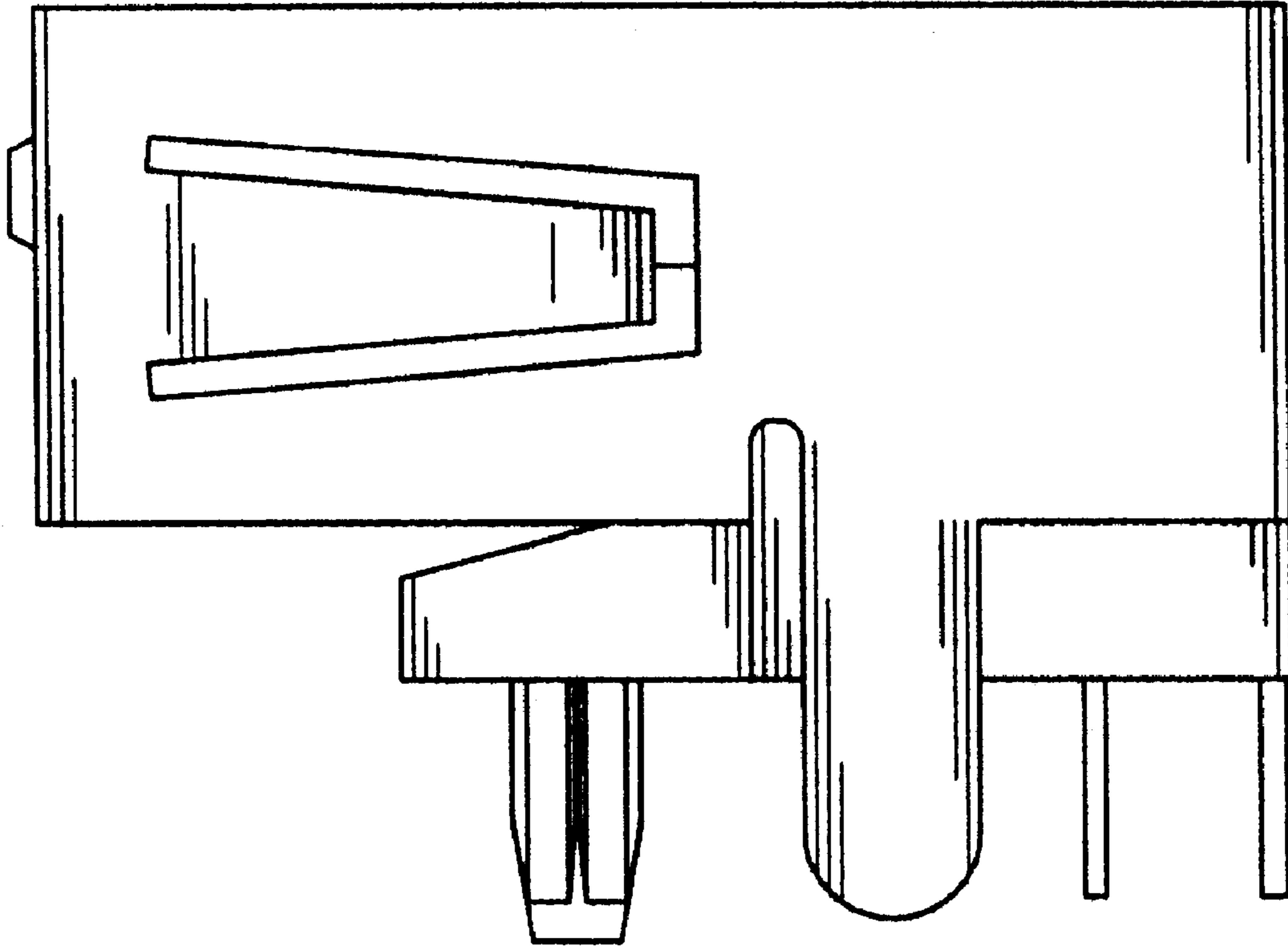


FIG. 5

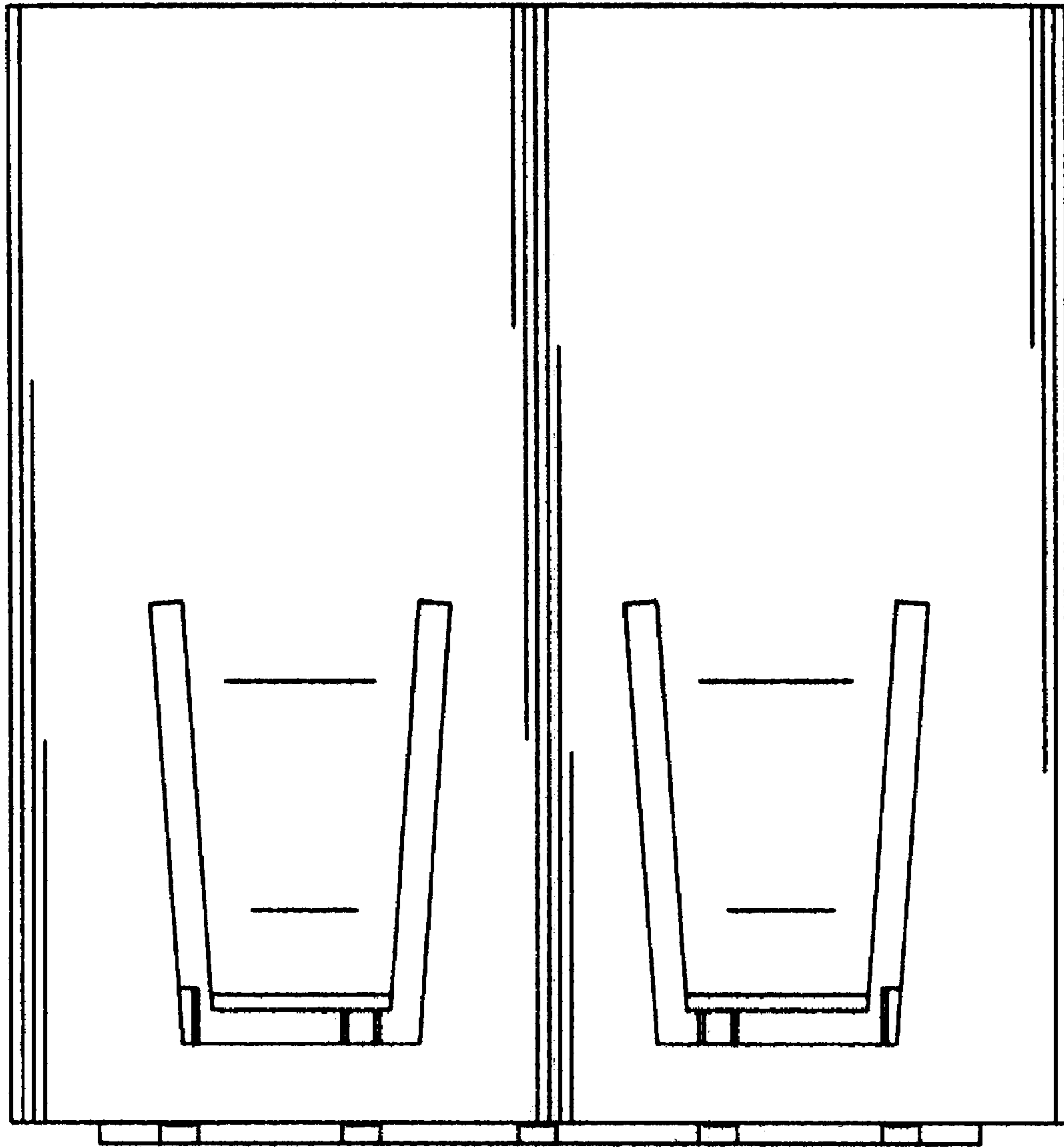


FIG. 6

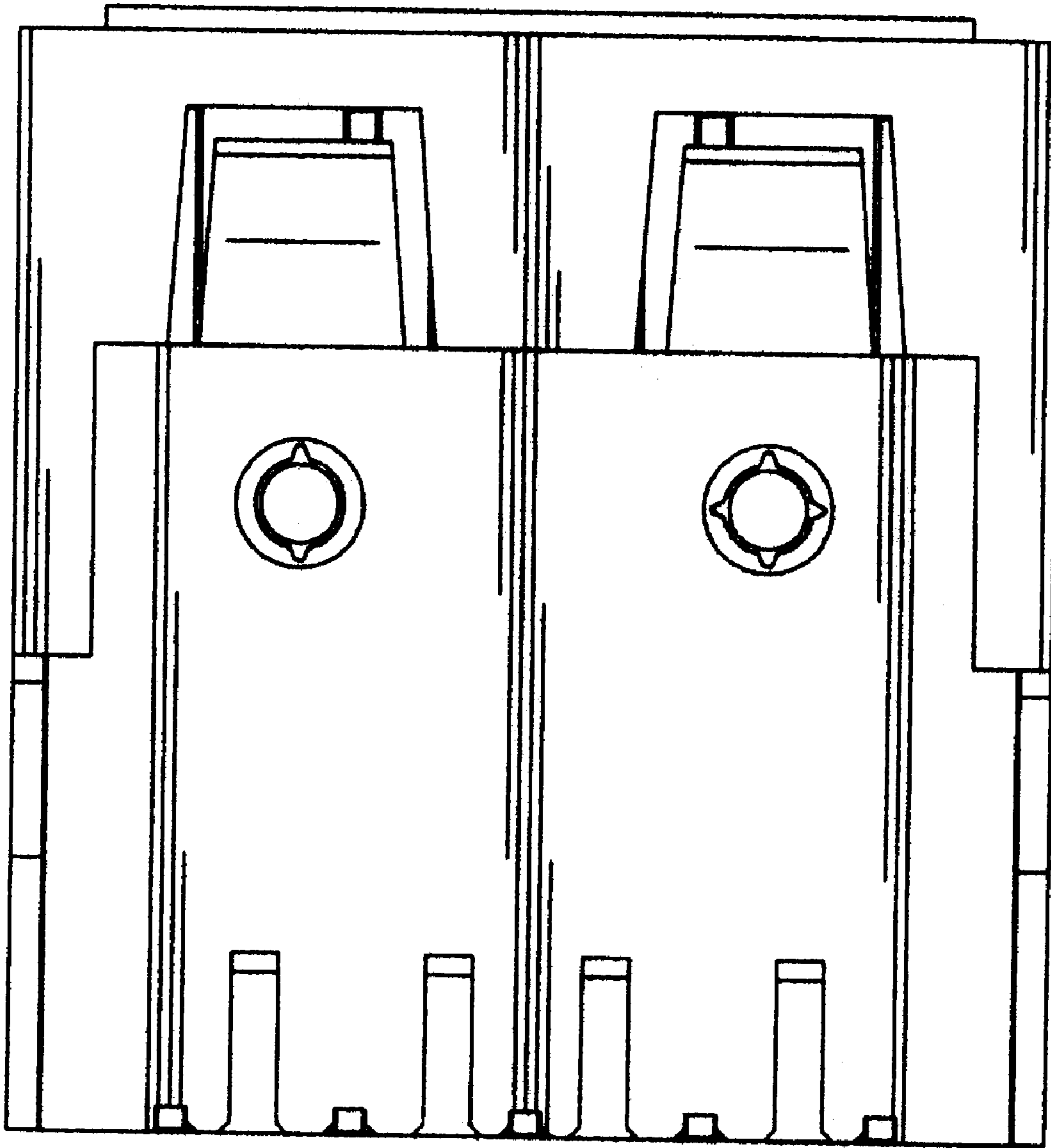


FIG. 7