



US00D522967S

(12) **United States Design Patent**
St. Clair

(10) **Patent No.: US D522,967 S**

(45) **Date of Patent: ** Jun. 13, 2006**

(54) **RETRACTABLE ELECTRICAL CORD BOX**

(76) Inventor: **Timothy L. St. Clair**, 336 W.
Exchange, Kahoka, MO (US) 63445

(**) Term: **14 Years**

(21) Appl. No.: **29/205,023**

(22) Filed: **May 7, 2004**

(51) **LOC (8) Cl. 13-03**

(52) **U.S. Cl. D13/139.7**

(58) **Field of Classification Search .. D13/137.1-139.8,**
D13/124, 160, 162, 164, 178; 361/118, 119;
439/106-108, 188, 535, 650-654
See application file for complete search history.

(56) **References Cited**

U.S. PATENT DOCUMENTS

- 1,874,828 A * 8/1932 Suss 337/197
- 2,159,004 A 5/1939 Bosch, Jr.
- 3,566,332 A 2/1971 Bonhomme
- 3,815,078 A 6/1974 Fedrick
- D307,579 S * 5/1990 Layne et al. D13/137.3
- D316,666 S * 5/1991 Ishimaru D8/358

- D324,669 S * 3/1992 Co D13/137.3
- D324,670 S * 3/1992 Ferraro D13/137.4
- D336,071 S * 6/1993 Ottosen D13/139.7
- D354,942 S * 1/1995 Schwan D13/137.4
- 5,700,158 A 12/1997 Neiser et al.
- 5,723,815 A 3/1998 Pena

* cited by examiner

Primary Examiner—Alan P. Douglas

Assistant Examiner—Rosemary K. Tarcza

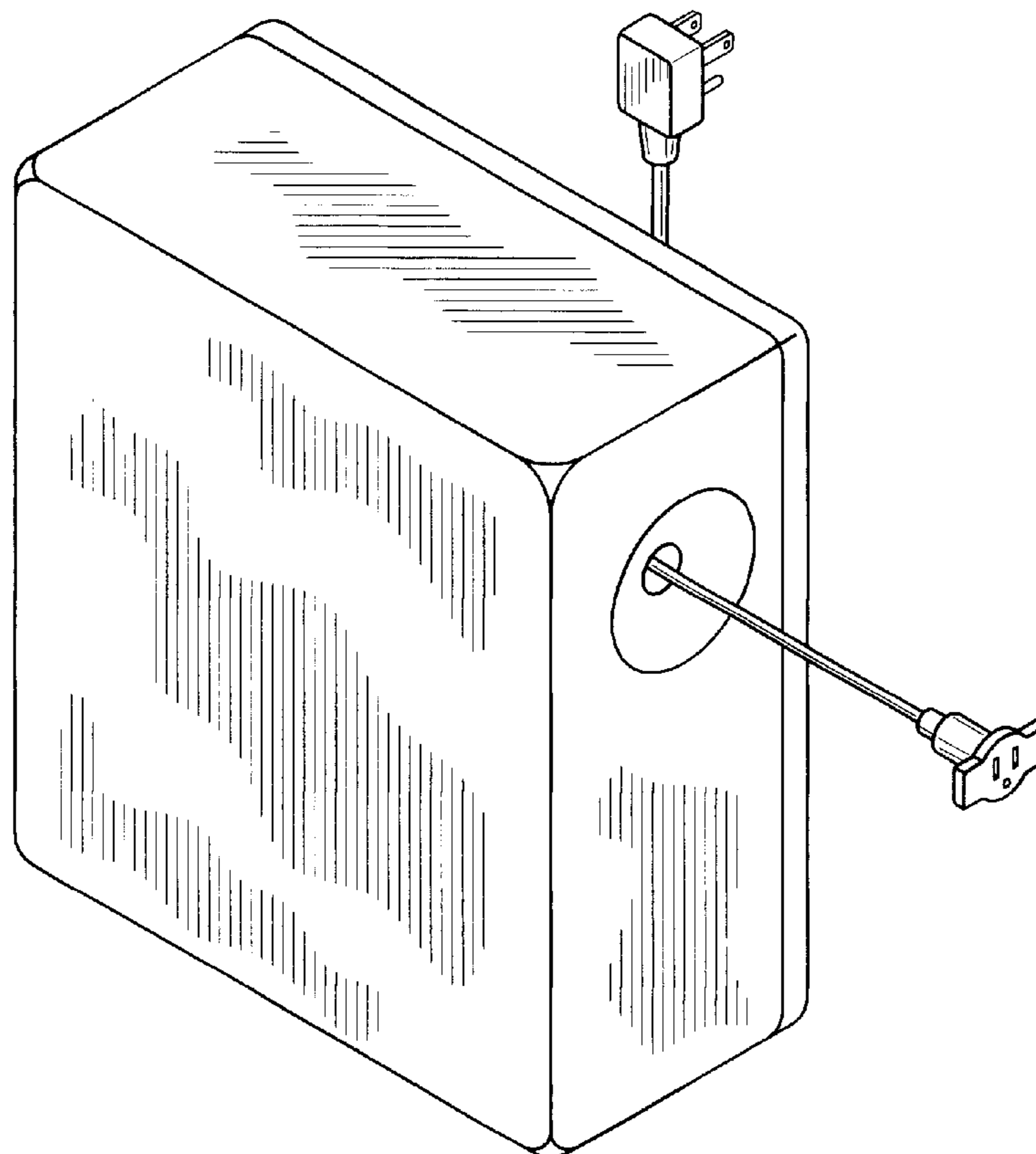
(57) **CLAIM**

The ornamental design for a retractable electrical cord box, as shown and described.

DESCRIPTION

FIG. 1 is a front elevational view of a retractable electrical cord box showing my new design; FIG. 2 is a rear elevational view thereof; FIG. 3 is a side view, taken from the left side of FIG. 1; FIG. 4 is a side view, taken from the right side of FIG. 1; FIG. 5 is a top plan view thereof; FIG. 6 is a bottom plan view thereof; and, FIG. 7 is a perspective view thereof.

1 Claim, 4 Drawing Sheets



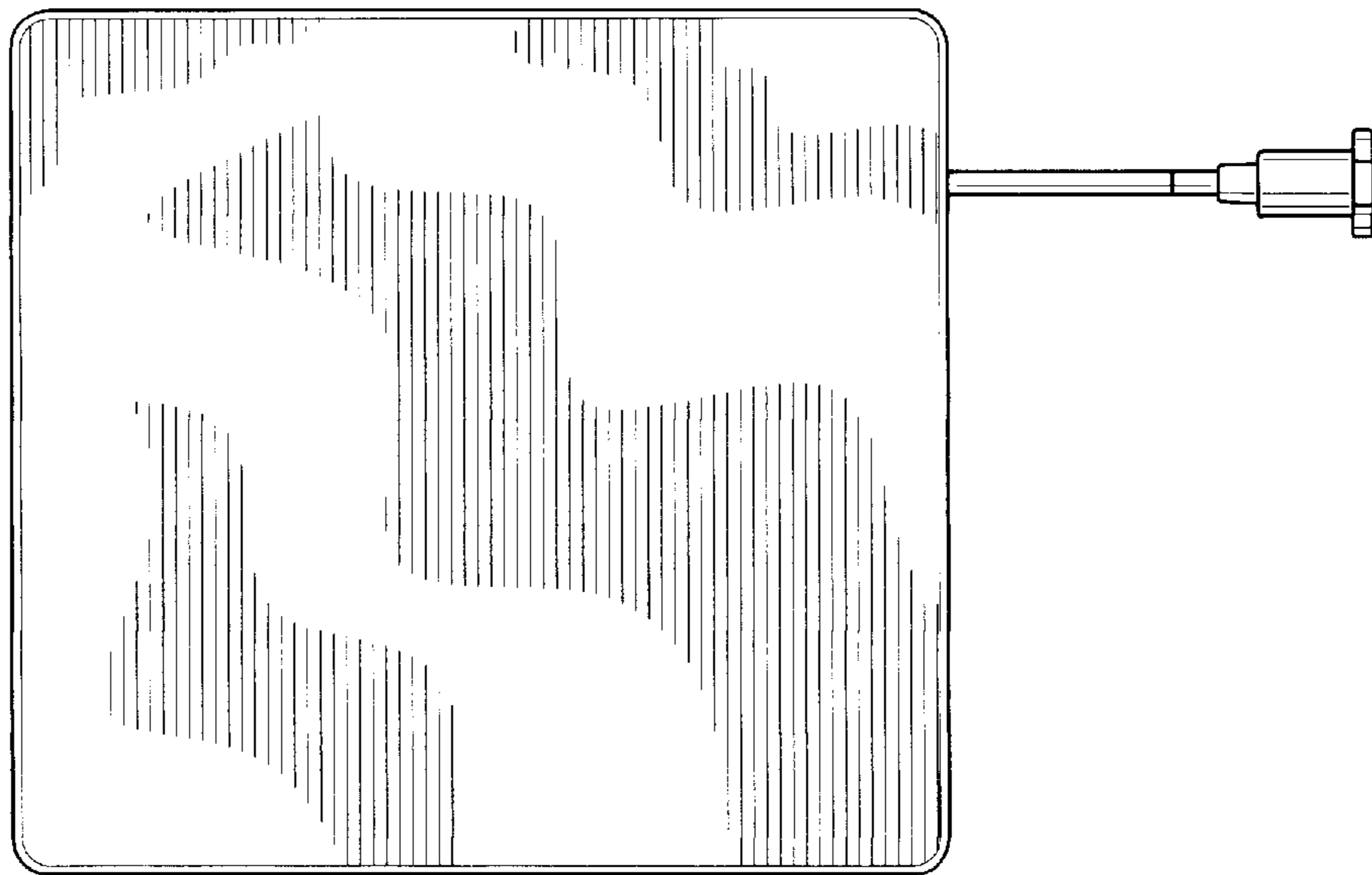


FIG.1

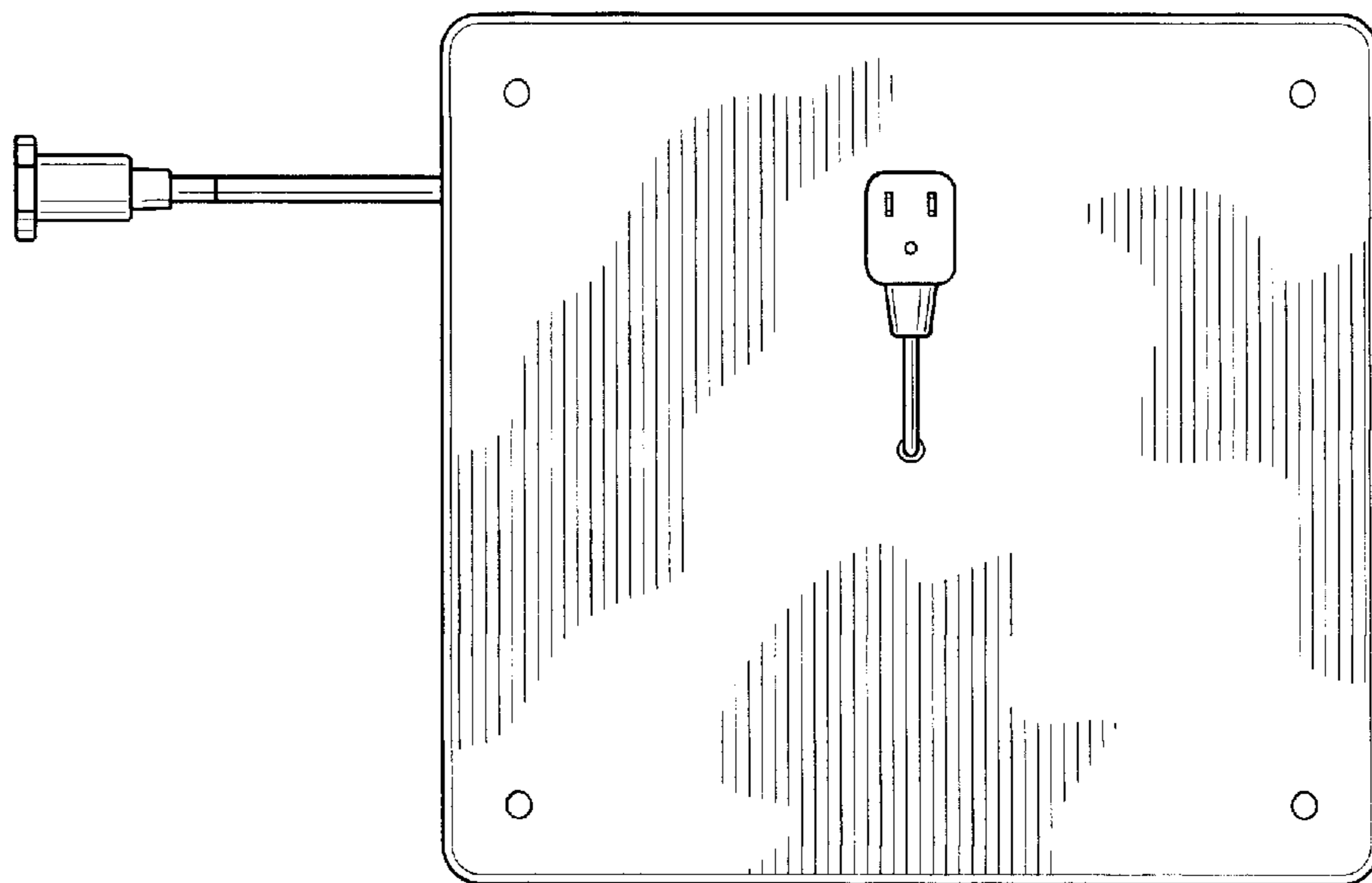


FIG.2

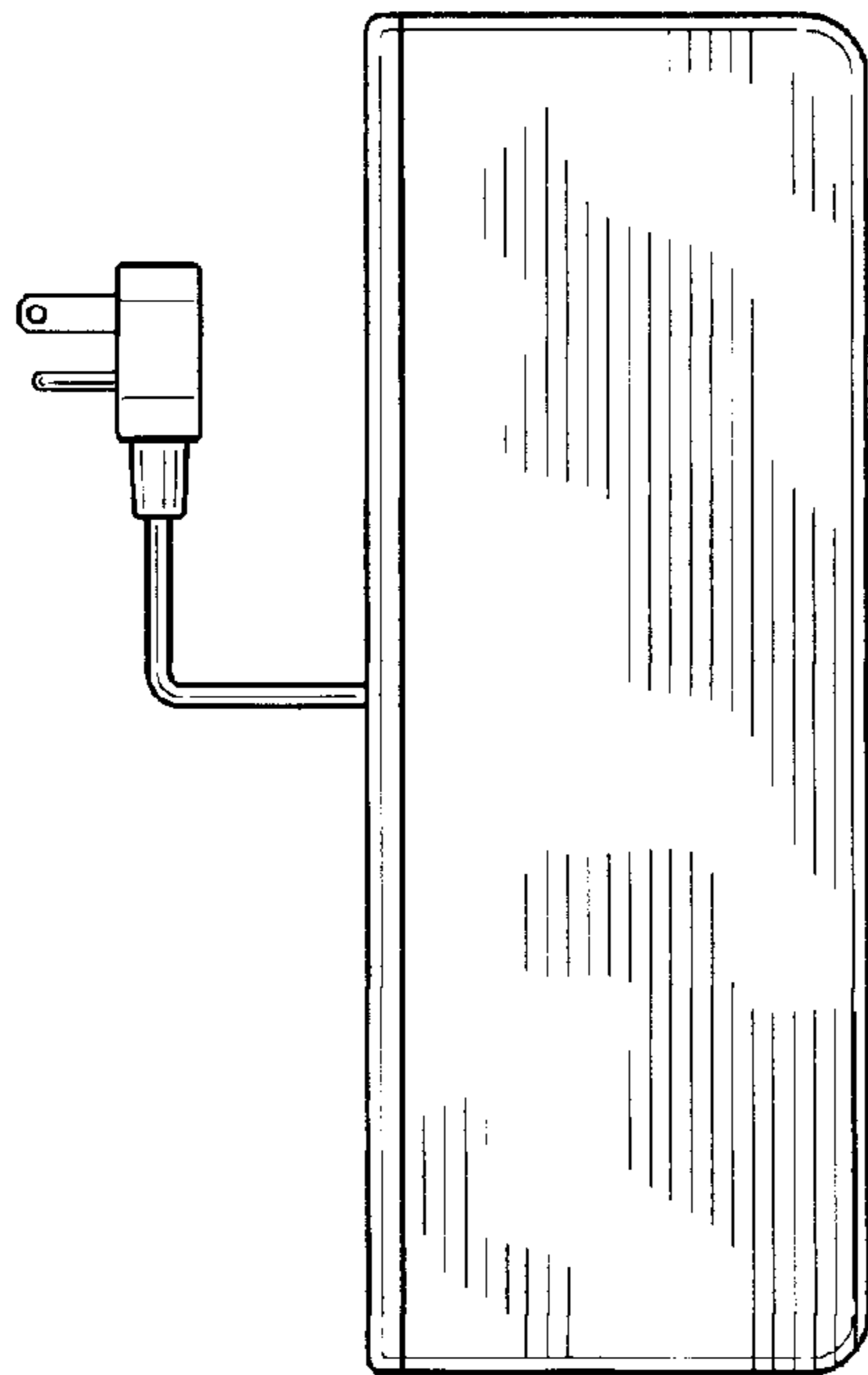
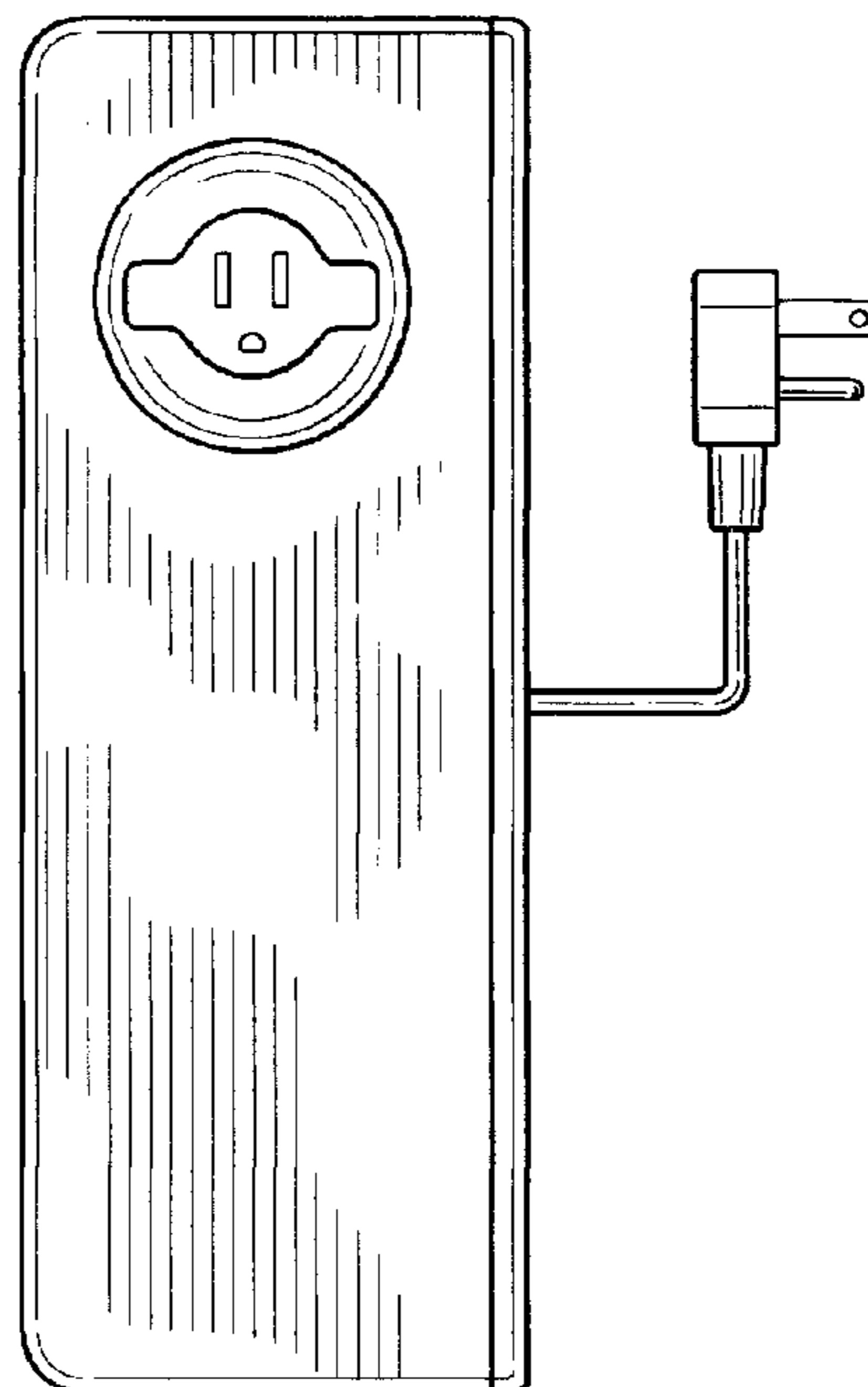


FIG. 3

FIG. 4



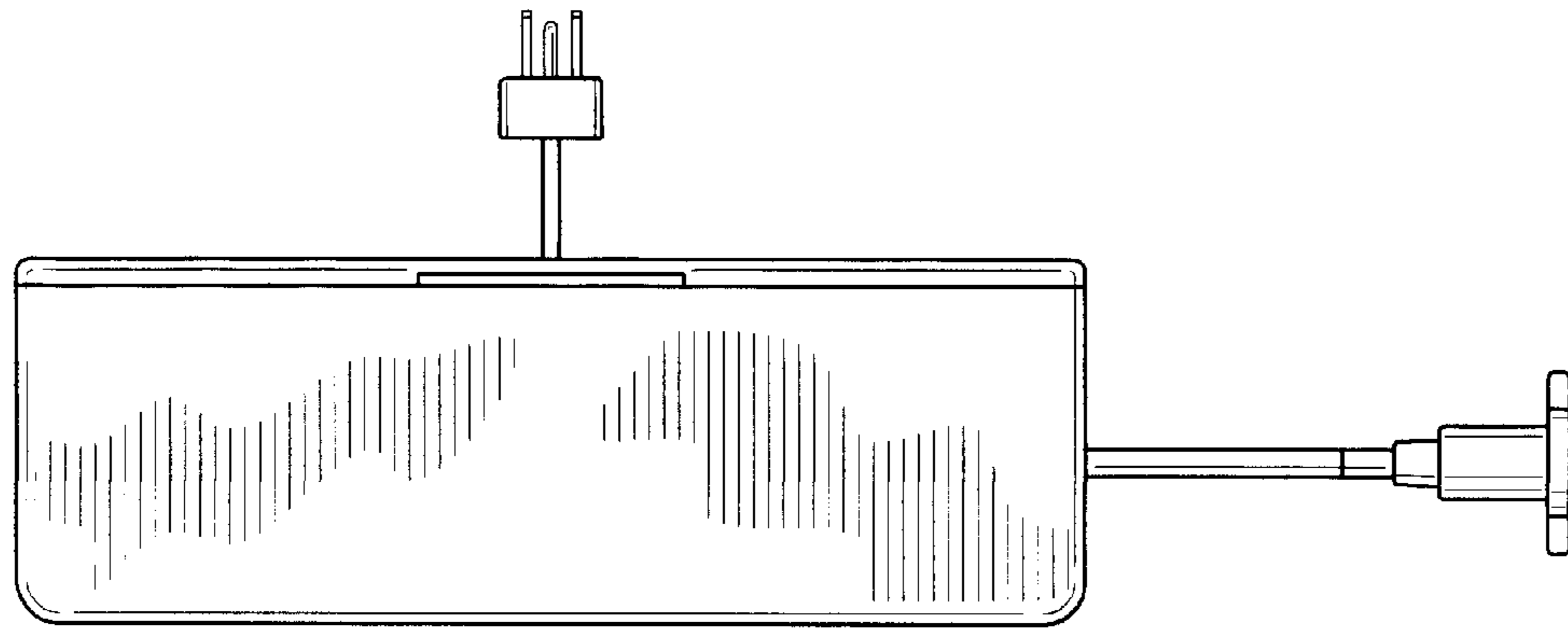


FIG. 5

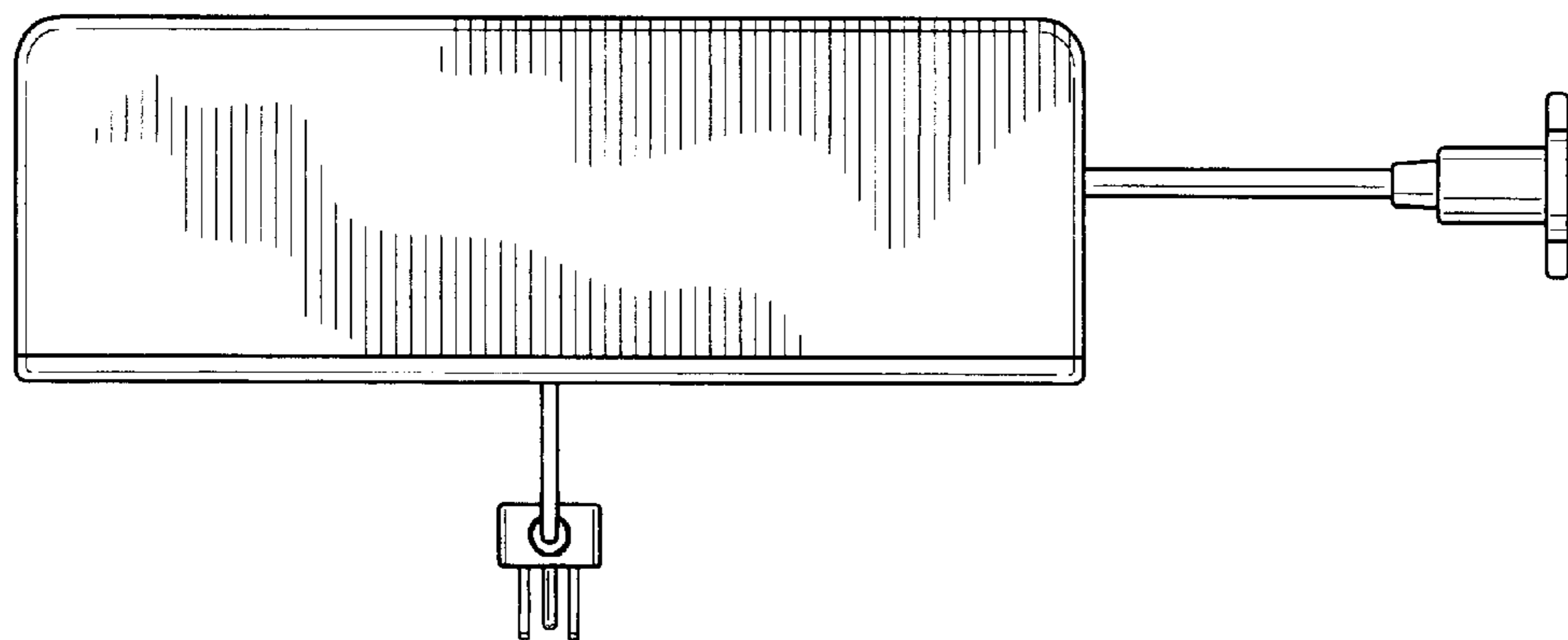


FIG. 6

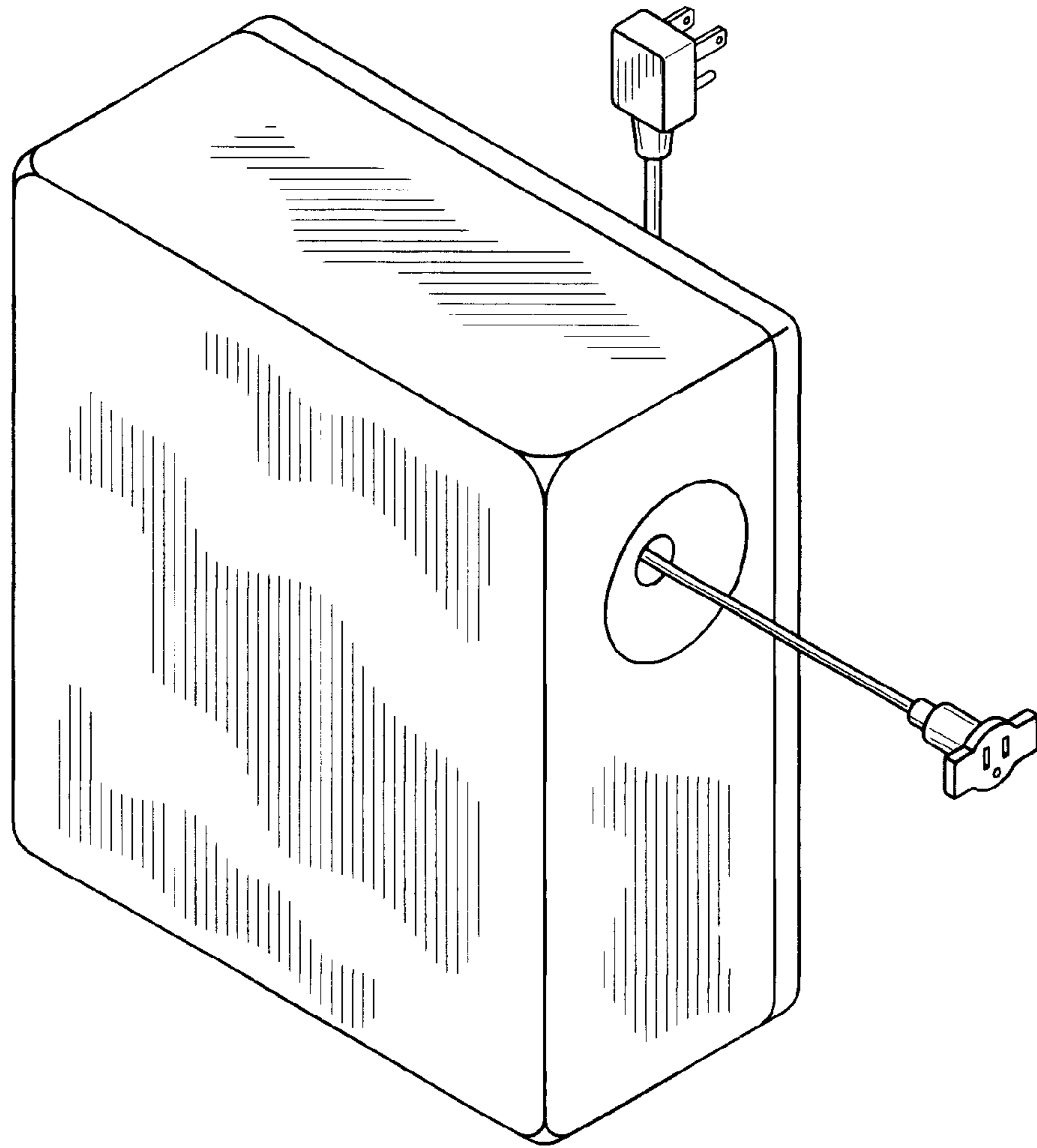


FIG.7