

US00D522966S

(12) **United States Design Patent**
Suzuki et al.

(10) **Patent No.: US D522,966 S**
(45) **Date of Patent: ** Jun. 13, 2006**

(54) **TERMINAL FOR A BATTERY**
(75) Inventors: **Masao Suzuki**, Tokyo (JP); **Masakazu Koiso**, Kanagawa (JP)
(73) Assignee: **Union Machinery Co., Ltd.**, Kanagawa (JP)
(**) Term: **14 Years**

(21) Appl. No.: **29/217,861**
(22) Filed: **Nov. 24, 2004**

(30) **Foreign Application Priority Data**
Sep. 29, 2004 (JP) 2004-029405
(51) **LOC (8) Cl.** **13-02**
(52) **U.S. Cl.** **D13/121**
(58) **Field of Classification Search** D13/103,
D13/119-121, 133, 146, 184, 199; 429/211,
429/233, 241, 242; 439/521-522, 623, 757,
439/773, 798, 814, 892
See application file for complete search history.

(56) **References Cited**
U.S. PATENT DOCUMENTS
2,352,618 A * 7/1944 Daenz 439/683
2,451,538 A * 10/1948 Del Camp 439/248
2,831,914 A * 4/1958 Jacobs 174/59
3,336,567 A * 8/1967 Coldren 439/685
D214,379 S * 6/1969 Wolf et al. D13/119

3,514,745 A * 5/1970 De Lyon 439/683
4,423,918 A * 1/1984 Filreis et al. 439/412
D308,665 S * 6/1990 Kussmaul D13/133
5,098,802 A * 3/1992 Kainoh 429/178
D409,125 S * 5/1999 Wang D12/162
D490,773 S * 6/2004 Nakamaru D13/119
6,921,302 B1 * 7/2005 Swantner et al. 439/855

OTHER PUBLICATIONS
U.S. Appl. No. 29/217,860 to Suzuki et al.
* cited by examiner
Primary Examiner—Alan P. Douglas
Assistant Examiner—Rosemary K. Tarcza
(74) *Attorney, Agent, or Firm*—Greenblum & Bernstein, P.L.C.

(57) **CLAIM**
The ornamental design for a terminal for a battery, as shown and described.

DESCRIPTION
FIG. 1 is a front view.
FIG. 2 is a left side view.
FIG. 3 is a right side view.
FIG. 4 is a top view.
FIG. 5 is a bottom view.
FIG. 6 is a rear view.
FIG. 7 is a front perspective view; and,
FIG. 8 is a rear perspective view.

1 Claim, 8 Drawing Sheets

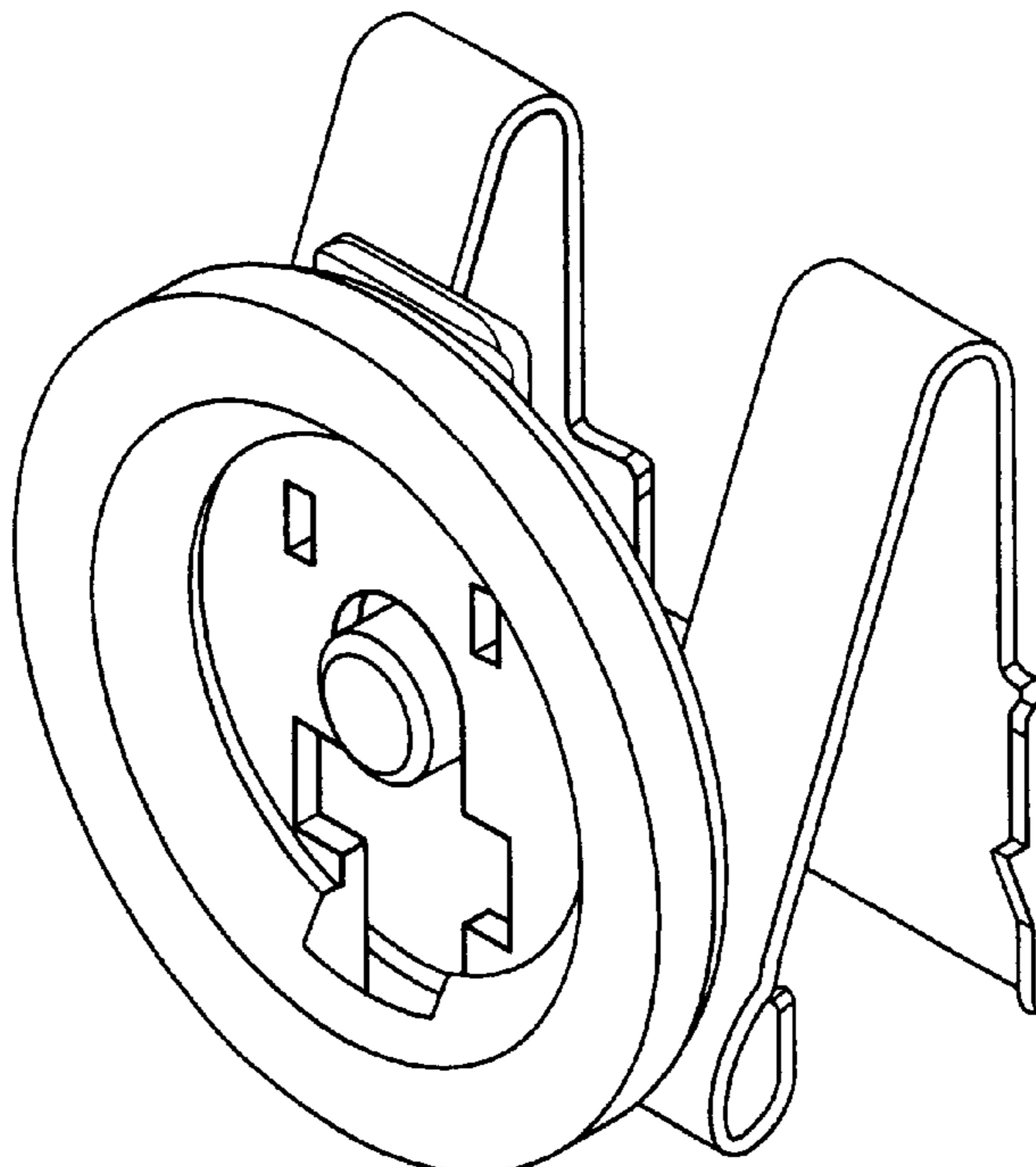


Fig. 1

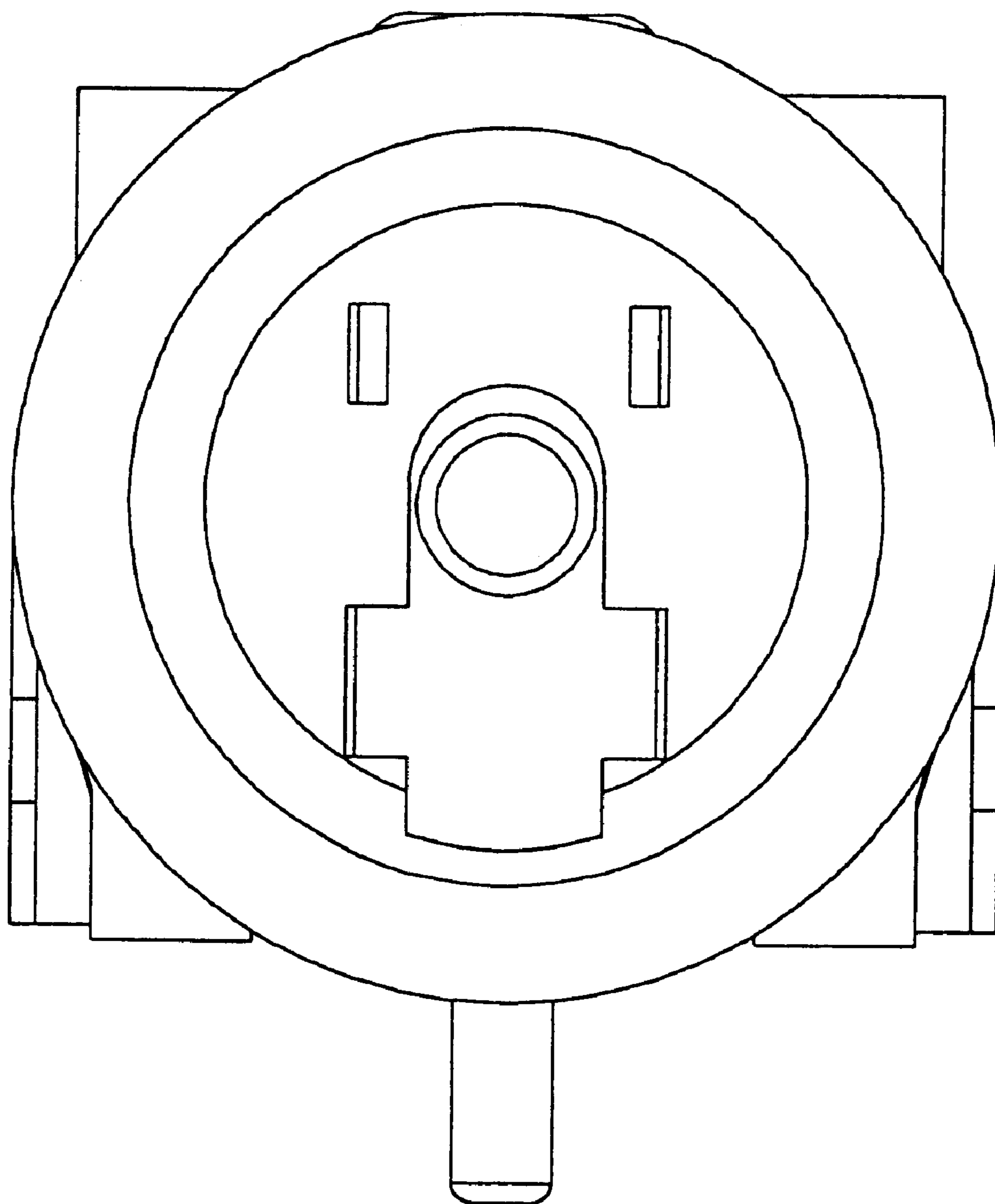


Fig. 2

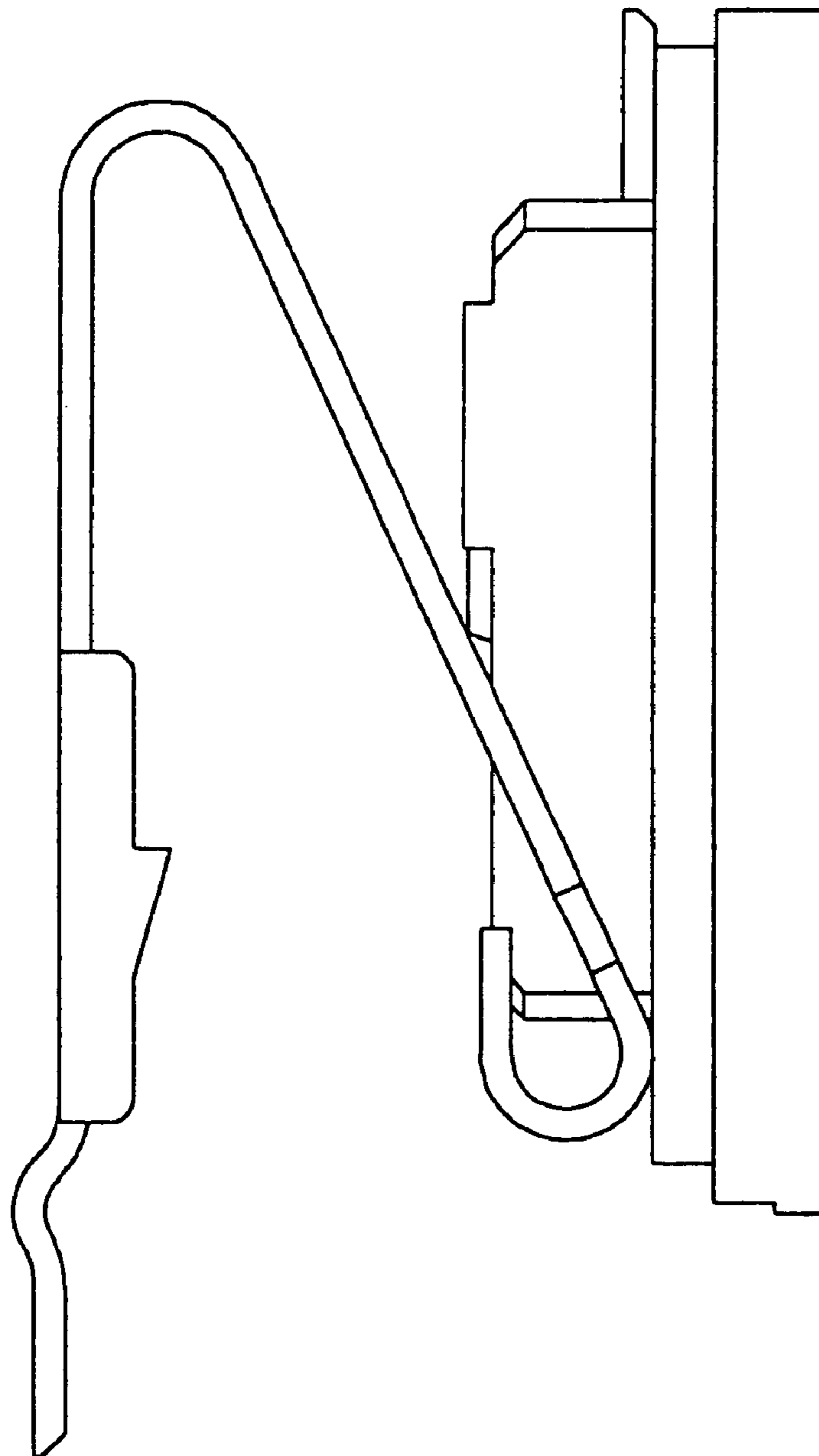


Fig. 3

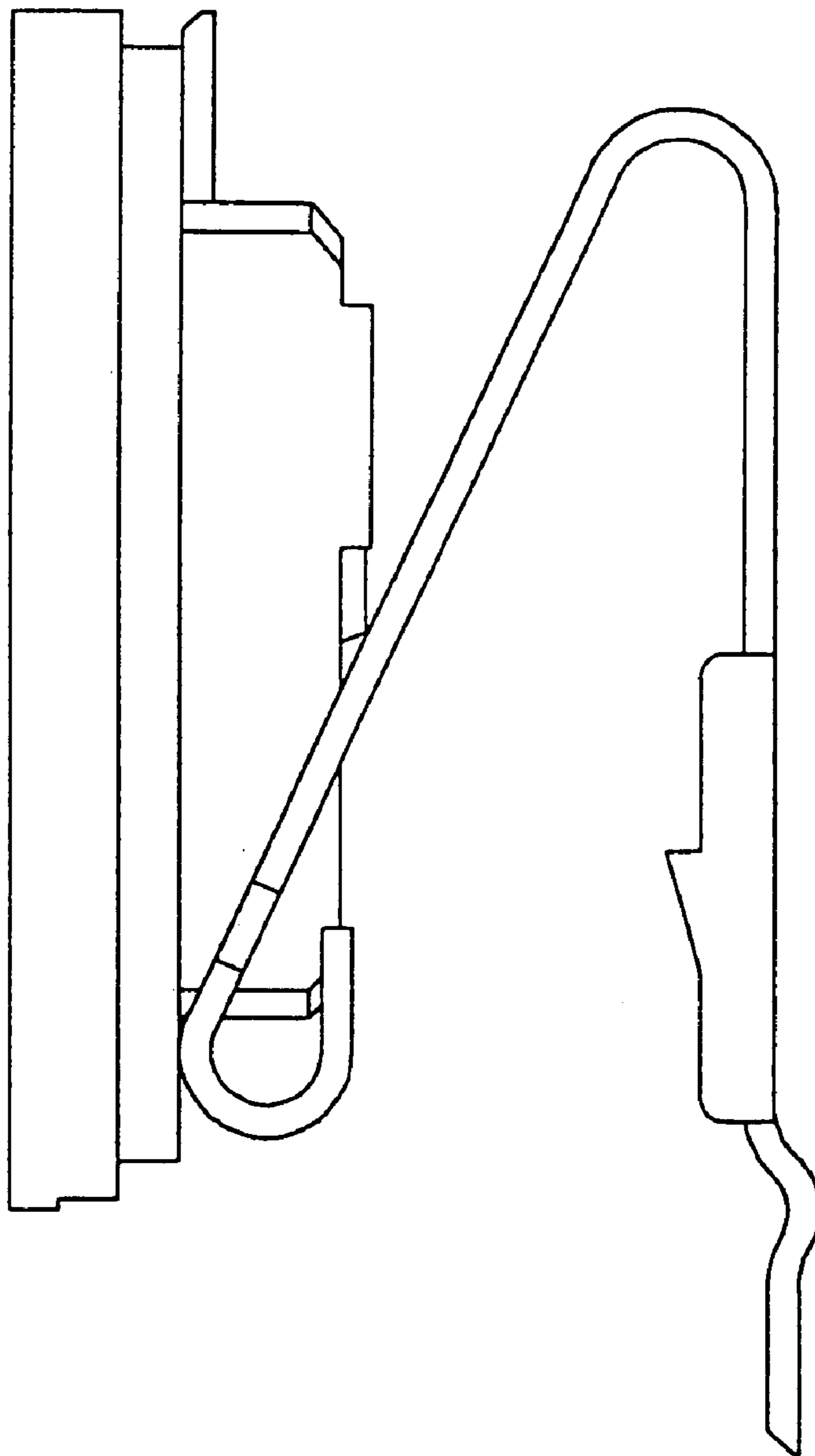


Fig. 4

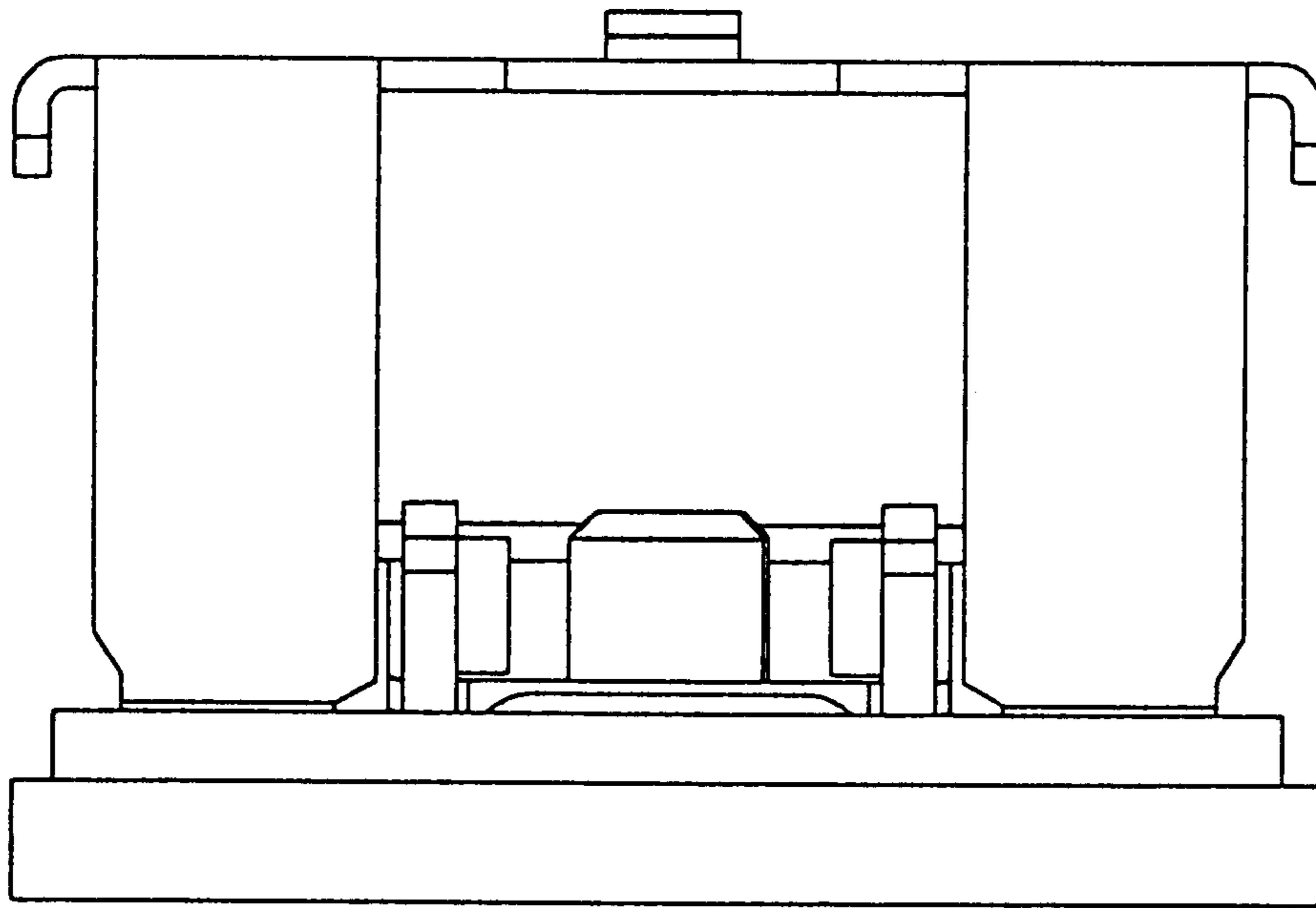


Fig. 5

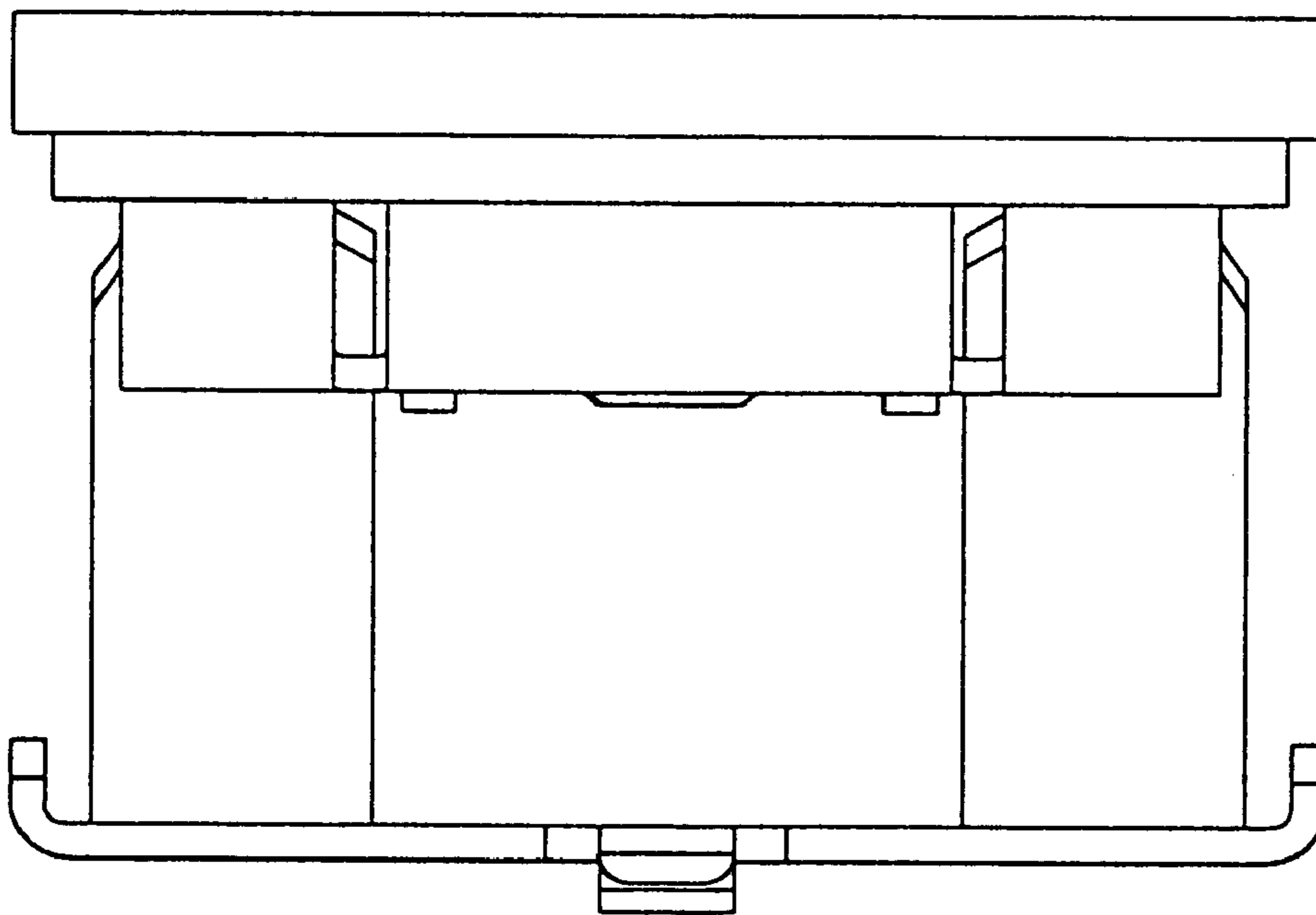
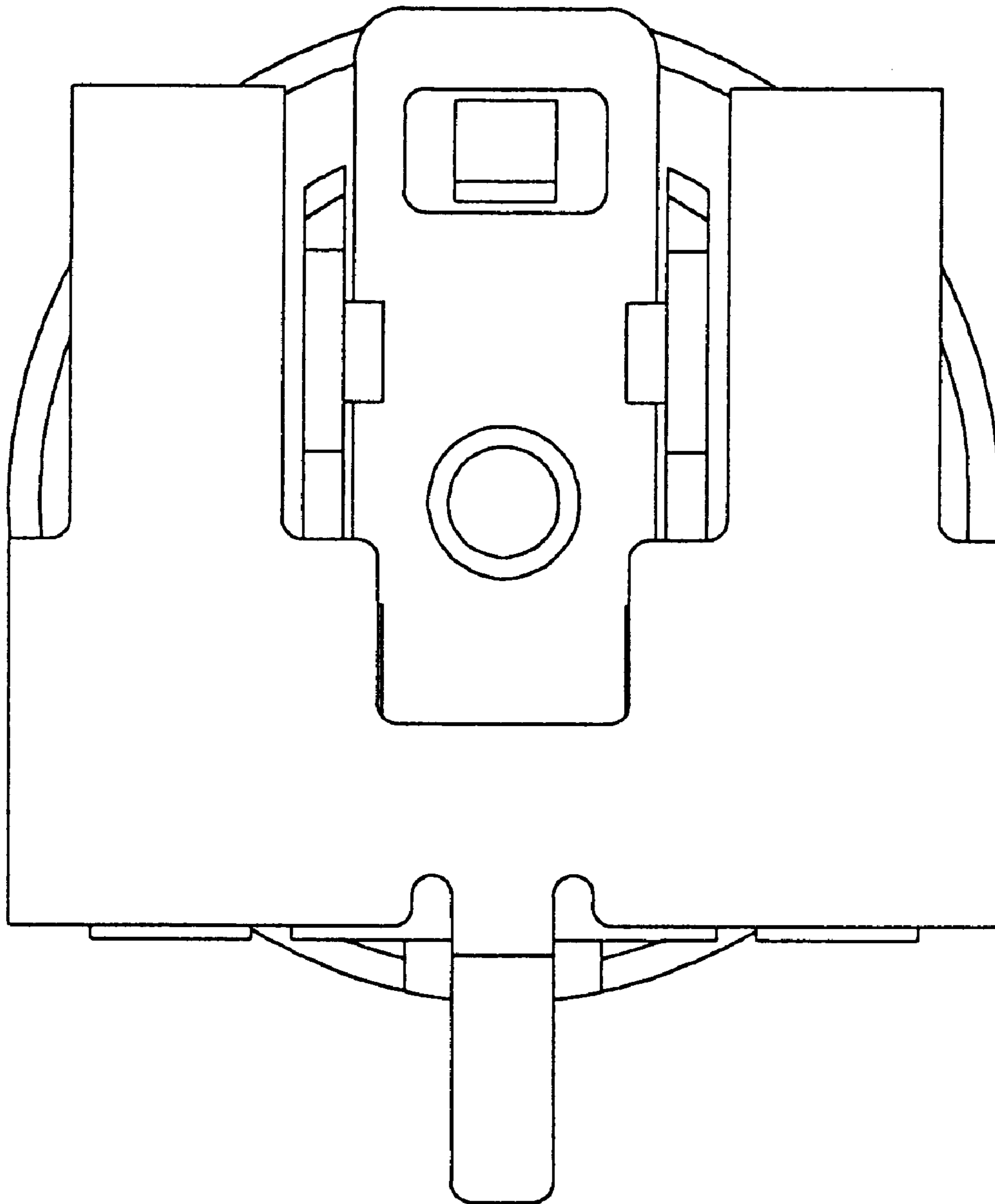


Fig. 6



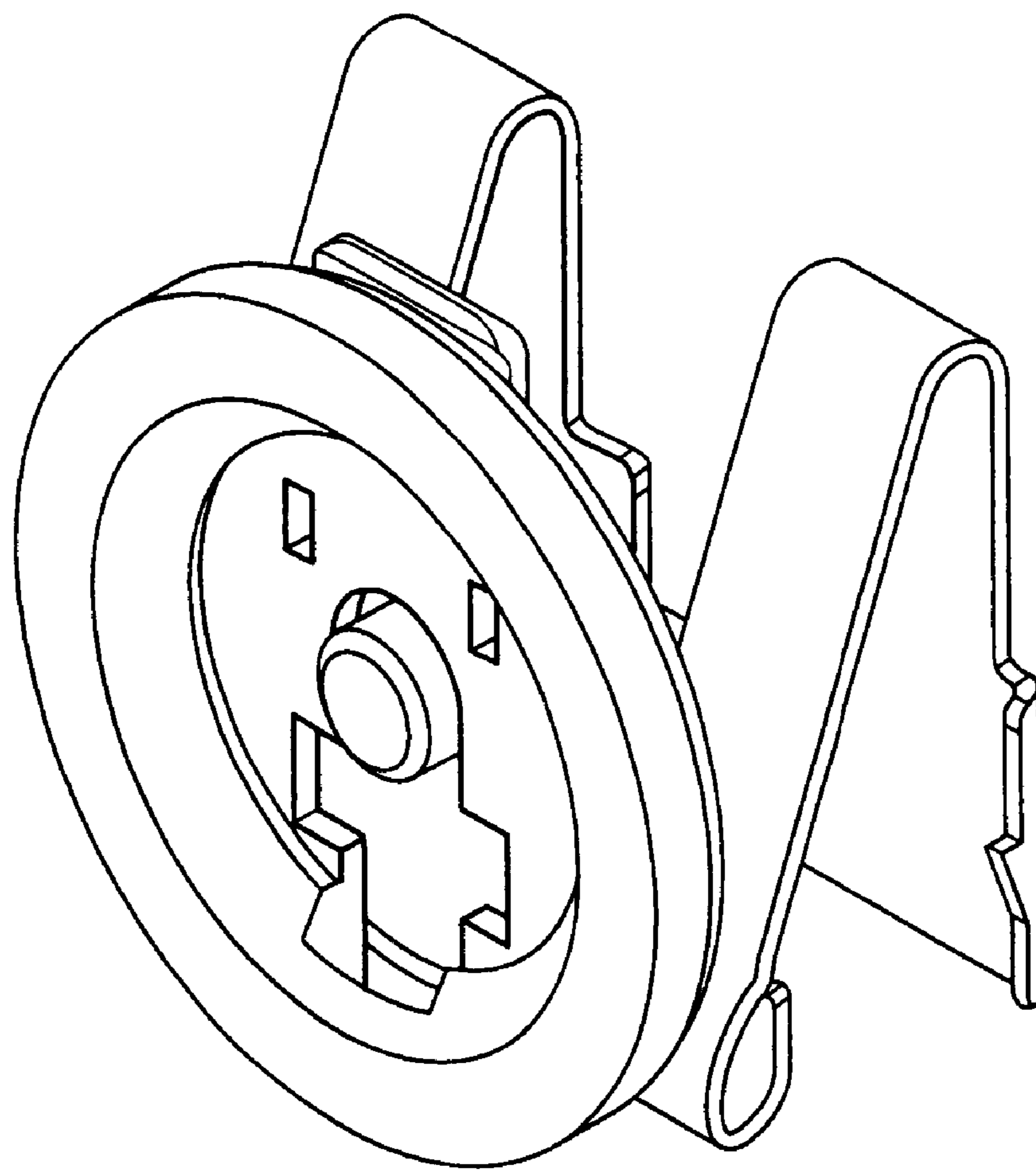


Fig. 7

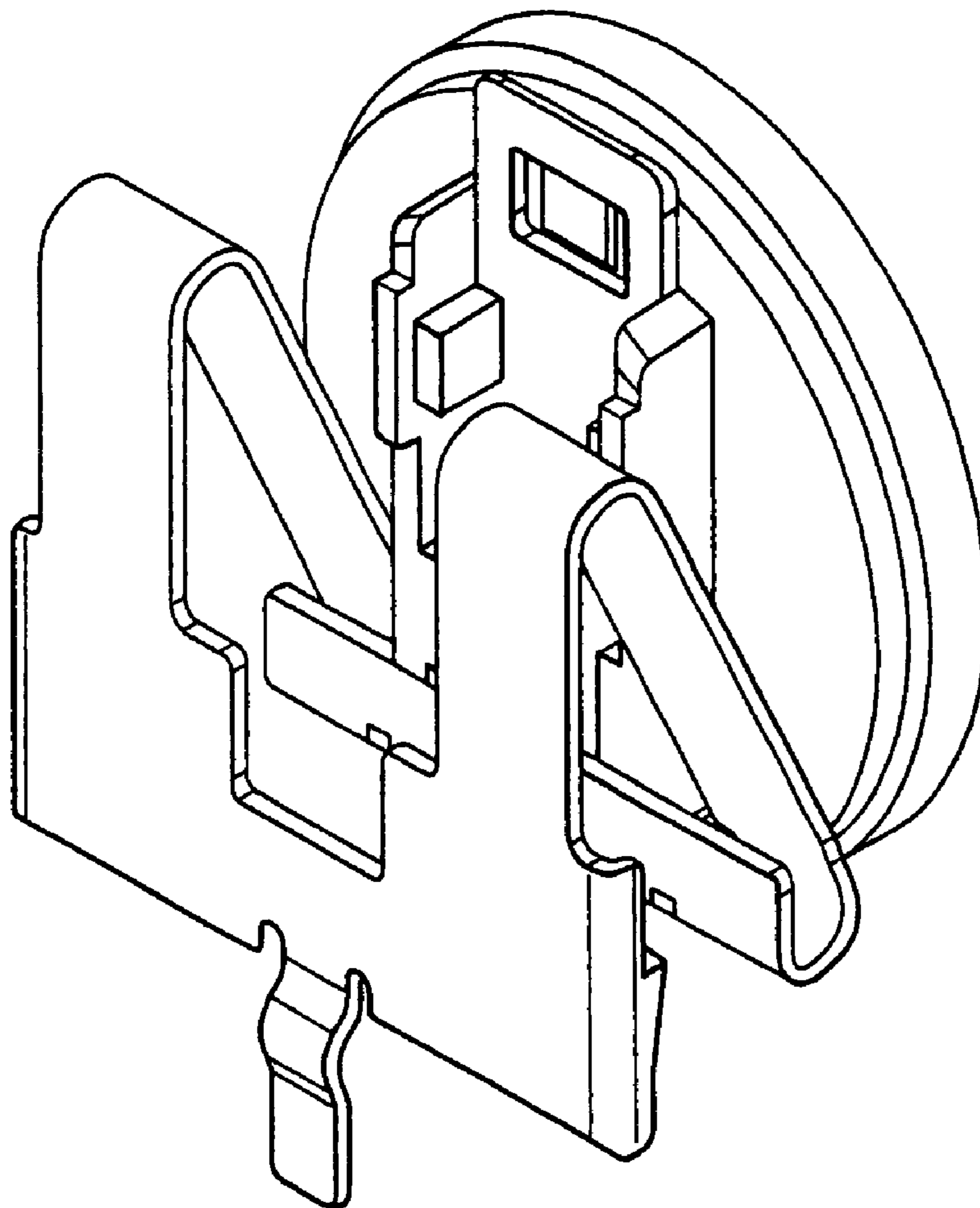


Fig. 8