



US00D522965S

(12) **United States Design Patent**  
**Nakamaru**

(10) **Patent No.:** **US D522,965 S**  
(45) **Date of Patent:** **\*\* Jun. 13, 2006**

(54) **CURRENT COLLECTOR**

(75) Inventor: **Hisao Nakamaru**, Kamakura (JP)

(73) Assignee: **Matsushita Electric Industrial Co., Ltd.**, Osaka (JP)

(\*\*) Term: **14 Years**

(21) Appl. No.: **29/199,064**

(22) Filed: **Feb. 9, 2004**

(30) **Foreign Application Priority Data**

Oct. 31, 2003 (JP) ..... 2003-032286

(51) **LOC (8) Cl.** ..... **13-02**

(52) **U.S. Cl.** ..... **D13/119**

(58) **Field of Classification Search** ..... D13/119-121,  
D13/133, 146, 184, 199; 439/521-522, 623,  
439/757, 773, 798, 814, 892; 429/211, 233,  
429/241, 242

See application file for complete search history.

(56) **References Cited**

**U.S. PATENT DOCUMENTS**

D35,071 S \* 9/1901 Hammann ..... D13/199  
764,813 A \* 7/1904 Kamperdyk ..... 429/211  
D114,116 S \* 4/1939 Emanuel ..... D13/121  
D196,643 S \* 10/1963 Greene ..... D8/71  
3,231,847 A \* 1/1966 Kressel ..... 439/718  
D210,880 S \* 4/1968 Backler ..... D13/119  
3,732,124 A \* 5/1973 Cailley ..... 429/94

4,053,687 A 10/1977 Coibion et al.  
4,554,227 A 11/1985 Takagaki et al.  
D361,745 S \* 8/1995 Geroux et al. .... D13/120  
6,010,801 A 1/2000 Nakamaru et al.  
6,013,389 A 1/2000 Nakamaru et al.  
6,707,660 B1 \* 3/2004 Evans et al. .... 361/504  
D490,773 S \* 6/2004 Nakamaru ..... D13/119  
2004/0081890 A1 \* 4/2004 Xing et al. .... 429/241

**FOREIGN PATENT DOCUMENTS**

JP D1140999 5/2002

\* cited by examiner

*Primary Examiner*—Alan P. Douglas

*Assistant Examiner*—Rosemary K. Tarcza

(74) *Attorney, Agent, or Firm*—Brinks Hofer Gilson & Lione

(57) **CLAIM**

I claim the ornamental design for a current collector, as shown and described.

**DESCRIPTION**

FIG. 1 is a perspective view of a current collector of the present invention;

FIG. 2 is a top view thereof;

FIG. 3 is a first side view thereof;

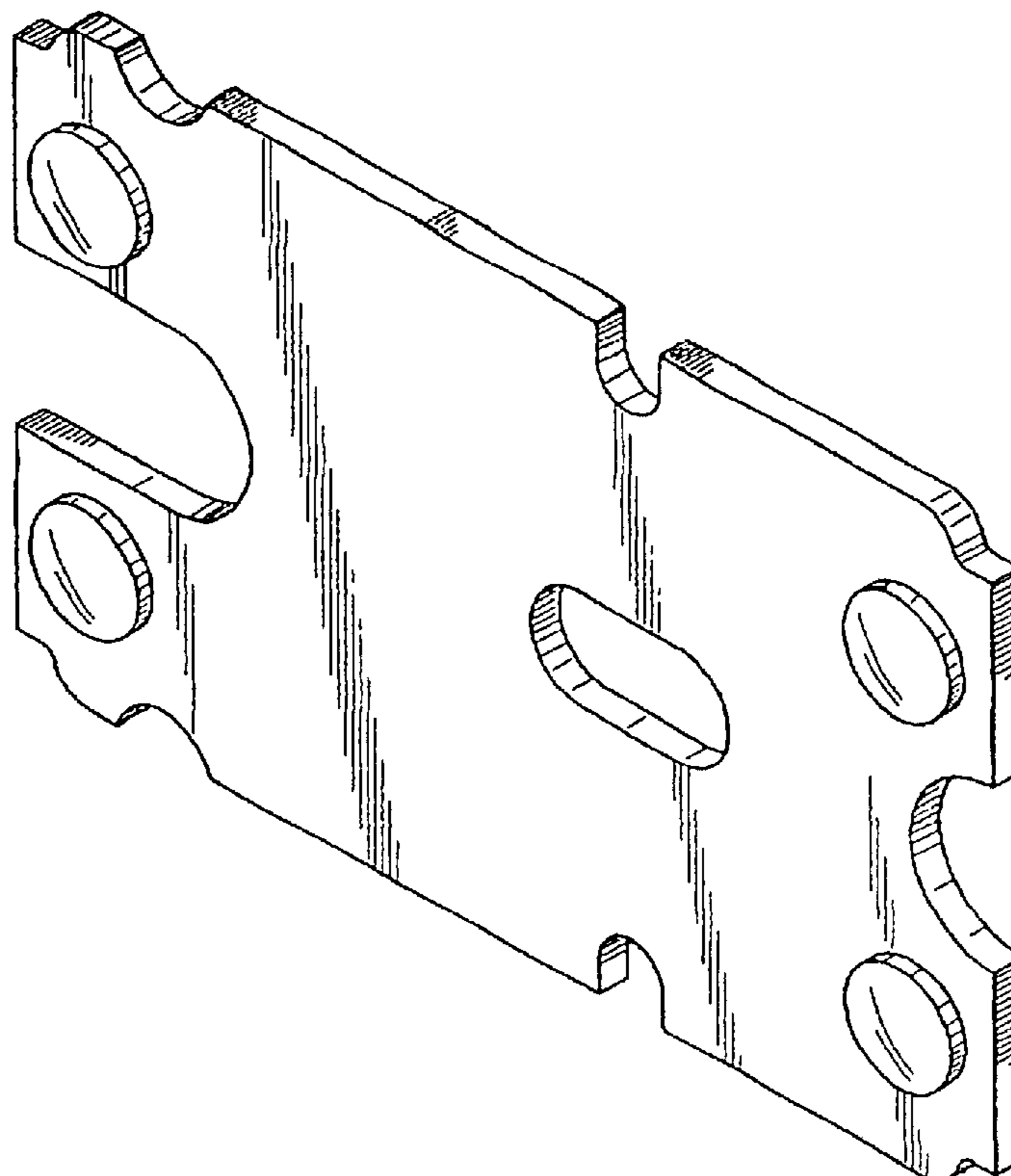
FIG. 4 is a second side view thereof;

FIG. 5 is a third side view thereof;

FIG. 6 is a fourth side view thereof; and,

FIG. 7 is a bottom view thereof.

**1 Claim, 3 Drawing Sheets**



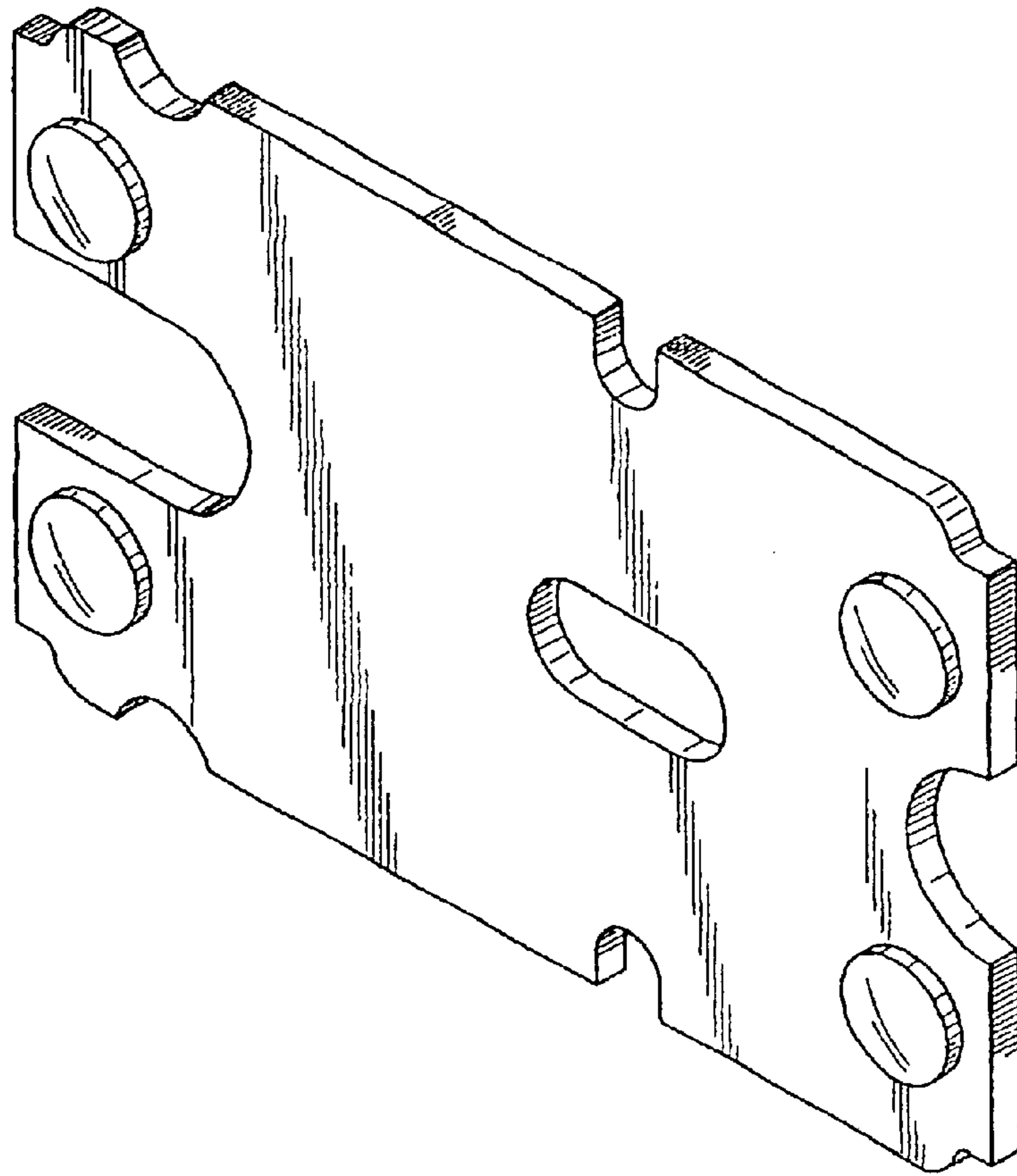


FIG. 1

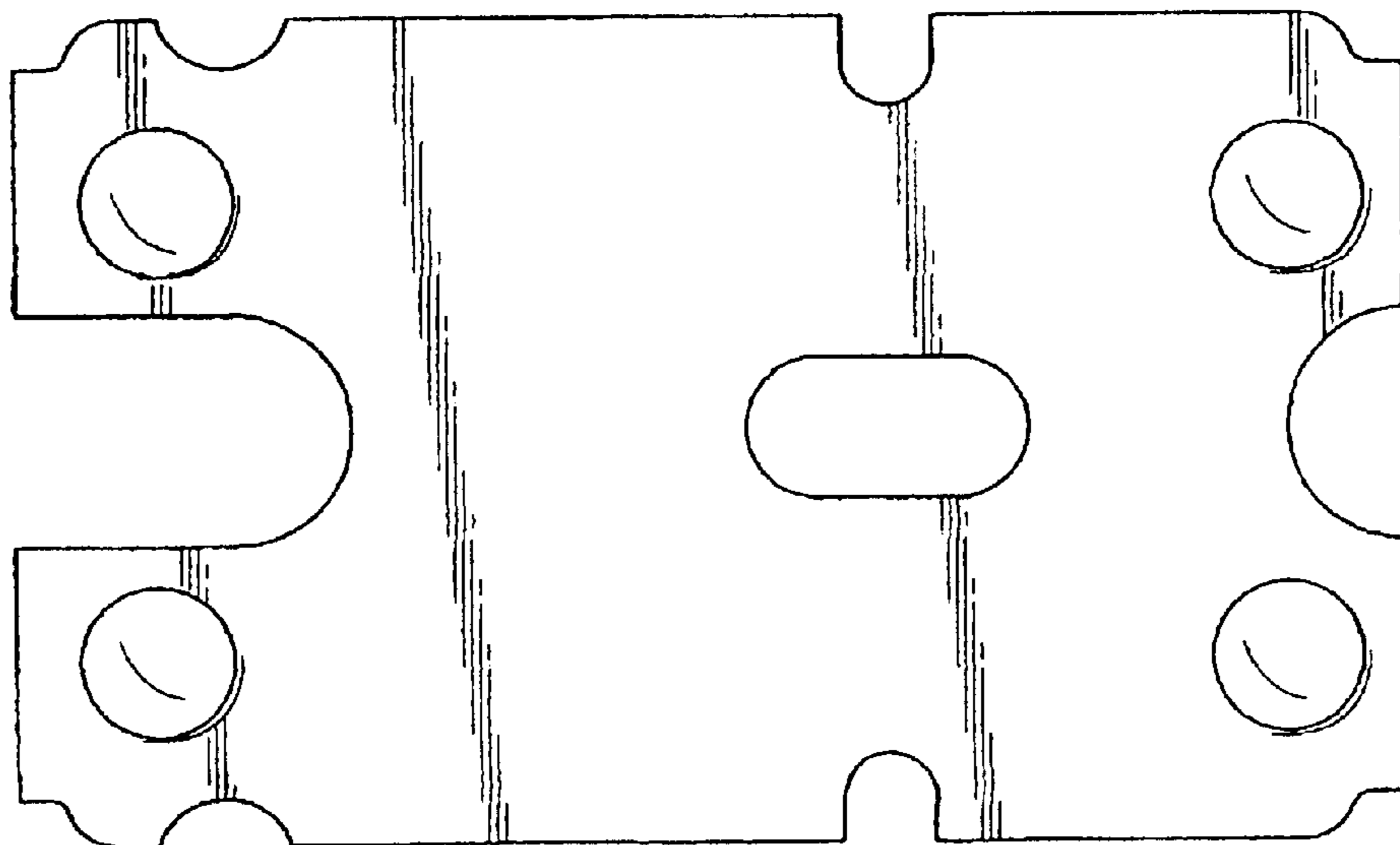


FIG. 2

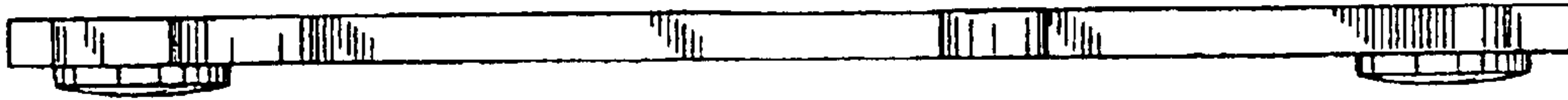


FIG. 3

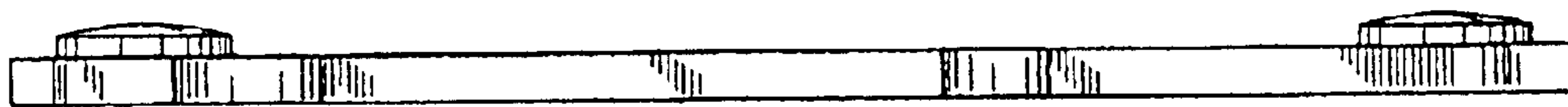


FIG. 4



FIG. 5

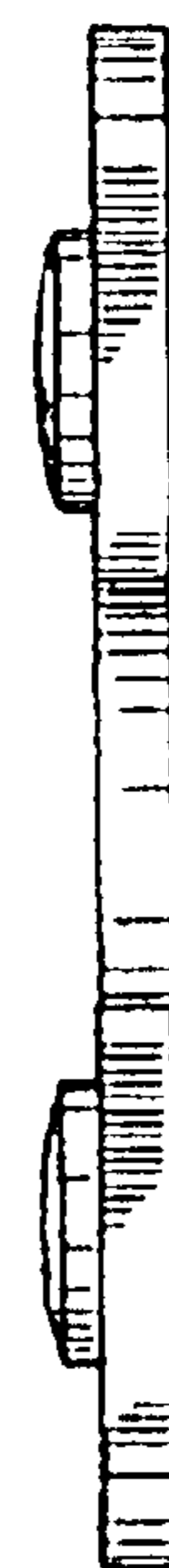


FIG. 6

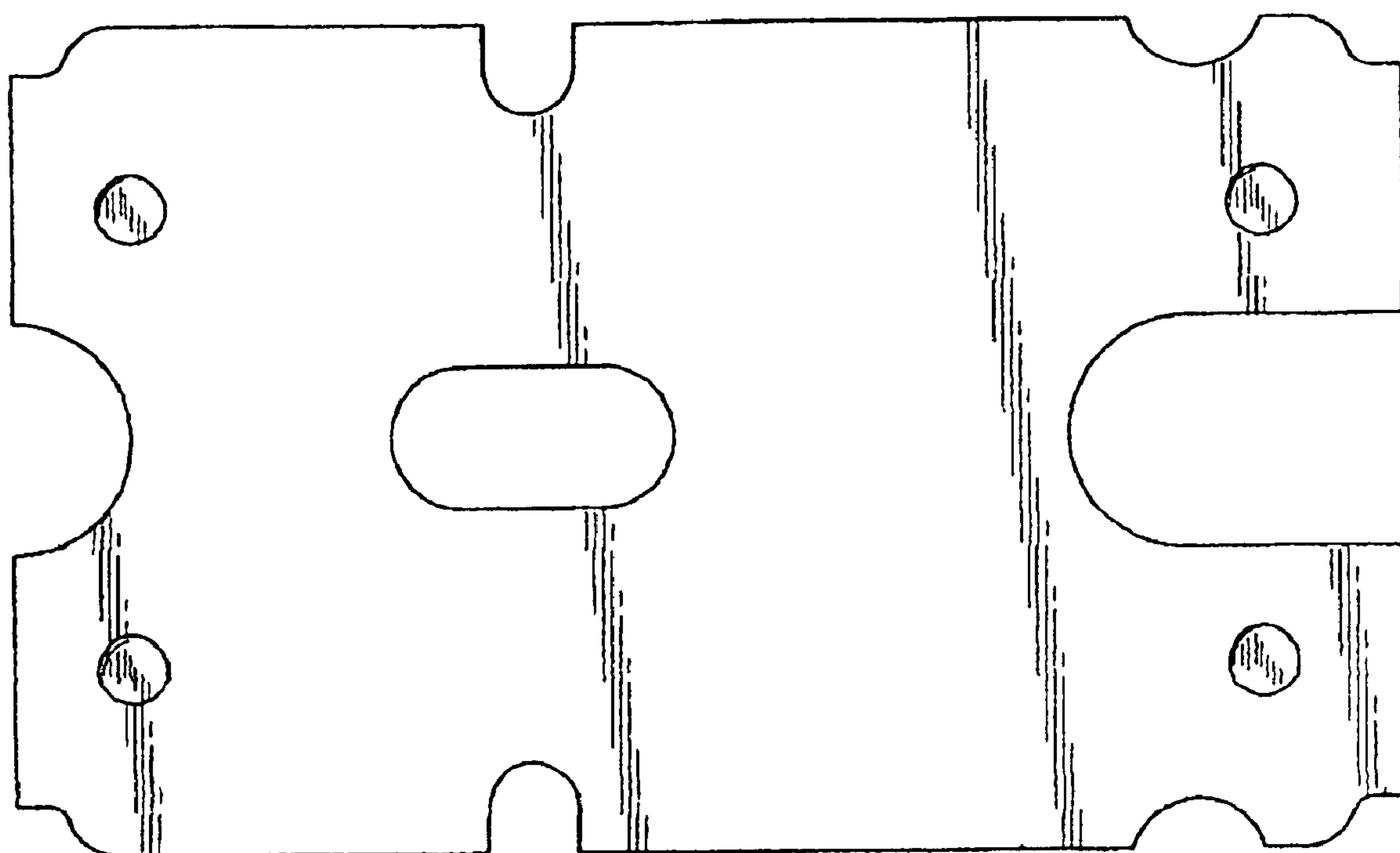


FIG. 7