

US00D522963S

(12) **United States Design Patent**
Hayes et al.

(10) **Patent No.:** **US D522,963 S**

(45) **Date of Patent:** **** Jun. 13, 2006**

(54) **HOUSING FOR A BATTERY CHARGER**

D489,324 S * 5/2004 Suzuki D13/108
D496,029 S * 9/2004 Skulley et al. D14/224
D509,789 S * 9/2005 Motoishi D13/108

(75) Inventors: **Jonathan A. Hayes**, Seattle, WA (US);
John Ikeda, Seattle, WA (US); **Michael Baseflug**, Duvall, WA (US)

* cited by examiner

(73) Assignee: **Microsoft Corporation**, Redmond, WA (US)

Primary Examiner—Alan P. Douglas

Assistant Examiner—Rosemary K. Tarcza

(74) *Attorney, Agent, or Firm*—Banner & Witcoff, Ltd.

(**) Term: **14 Years**

(57) **CLAIM**

(21) Appl. No.: **29/227,640**

The ornamental design for a housing for a battery charger, as shown and described.

(22) Filed: **Apr. 14, 2005**

DESCRIPTION

(51) **LOC (8) Cl.** **13-02**

(52) **U.S. Cl.** **D13/108**

(58) **Field of Classification Search** D13/107–110,
D13/118–119, 184; D14/155, 251, 253, 432,
D14/434; D32/73; 320/107–115

See application file for complete search history.

FIG. 1 is a left side perspective view of a housing for a battery charger showing our new design;
FIG. 2 is a right side perspective view thereof;
FIG. 3 is a left side view thereof;
FIG. 4 is a right side view thereof;
FIG. 5 is a front view thereof;
FIG. 6 is a rear view thereof;
FIG. 7 is a top view thereof; and,
FIG. 8 is a bottom view thereof.

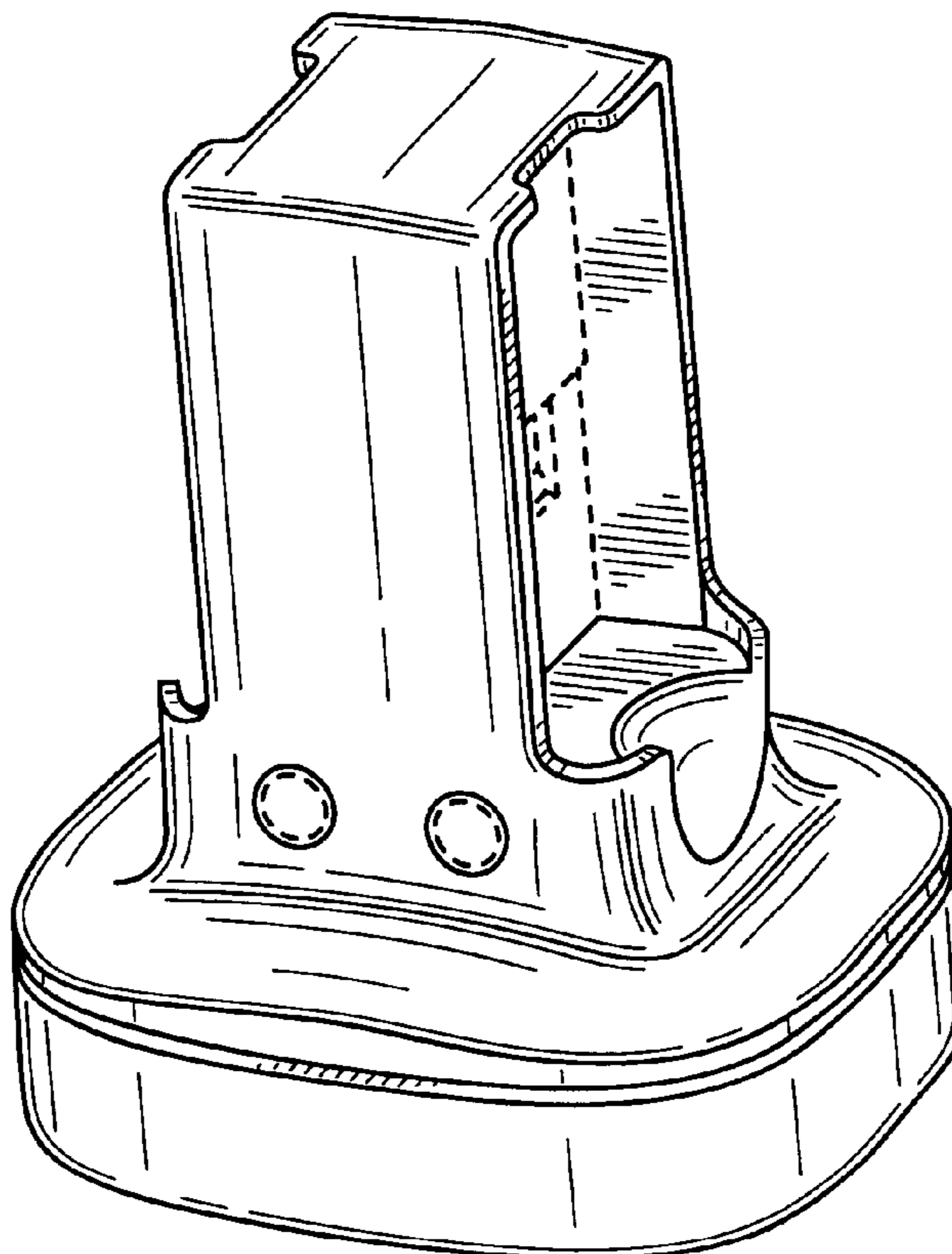
(56) **References Cited**

U.S. PATENT DOCUMENTS

D278,508 S * 4/1985 Kafka D7/386
D300,214 S * 3/1989 Adams D13/108
D335,861 S * 5/1993 Tattari D13/108
D456,351 S * 4/2002 Yoneda D13/108
D475,011 S * 5/2003 Kataoka D13/108
D483,327 S * 12/2003 Matsuoka D13/108
D483,328 S * 12/2003 Suzuki D13/108

The broken line bounded regions and unshaded regions are for illustrative purposes and form no part of the claimed design. The unshown portion of the design forms no part of the claimed design.

1 Claim, 4 Drawing Sheets



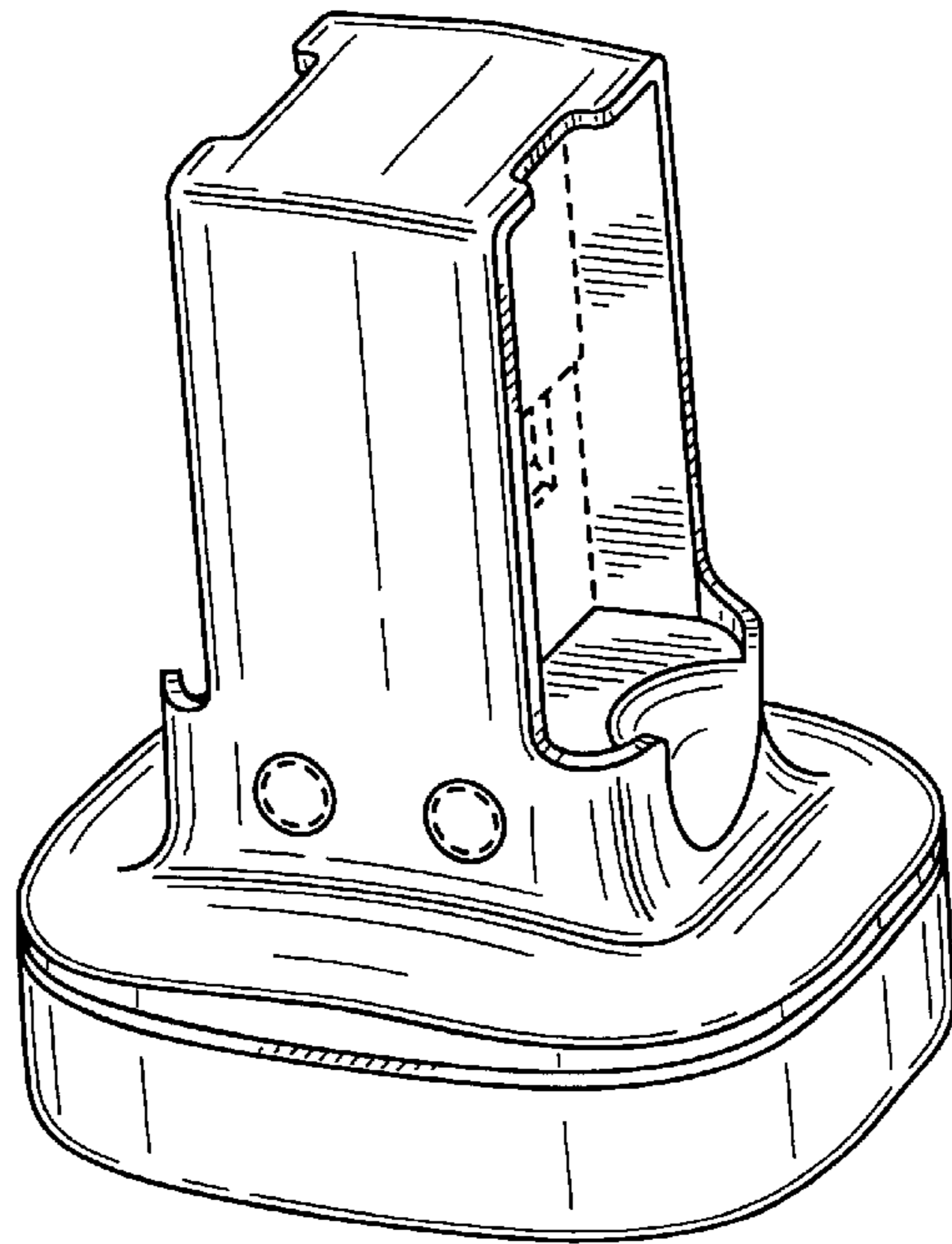


FIG. 1

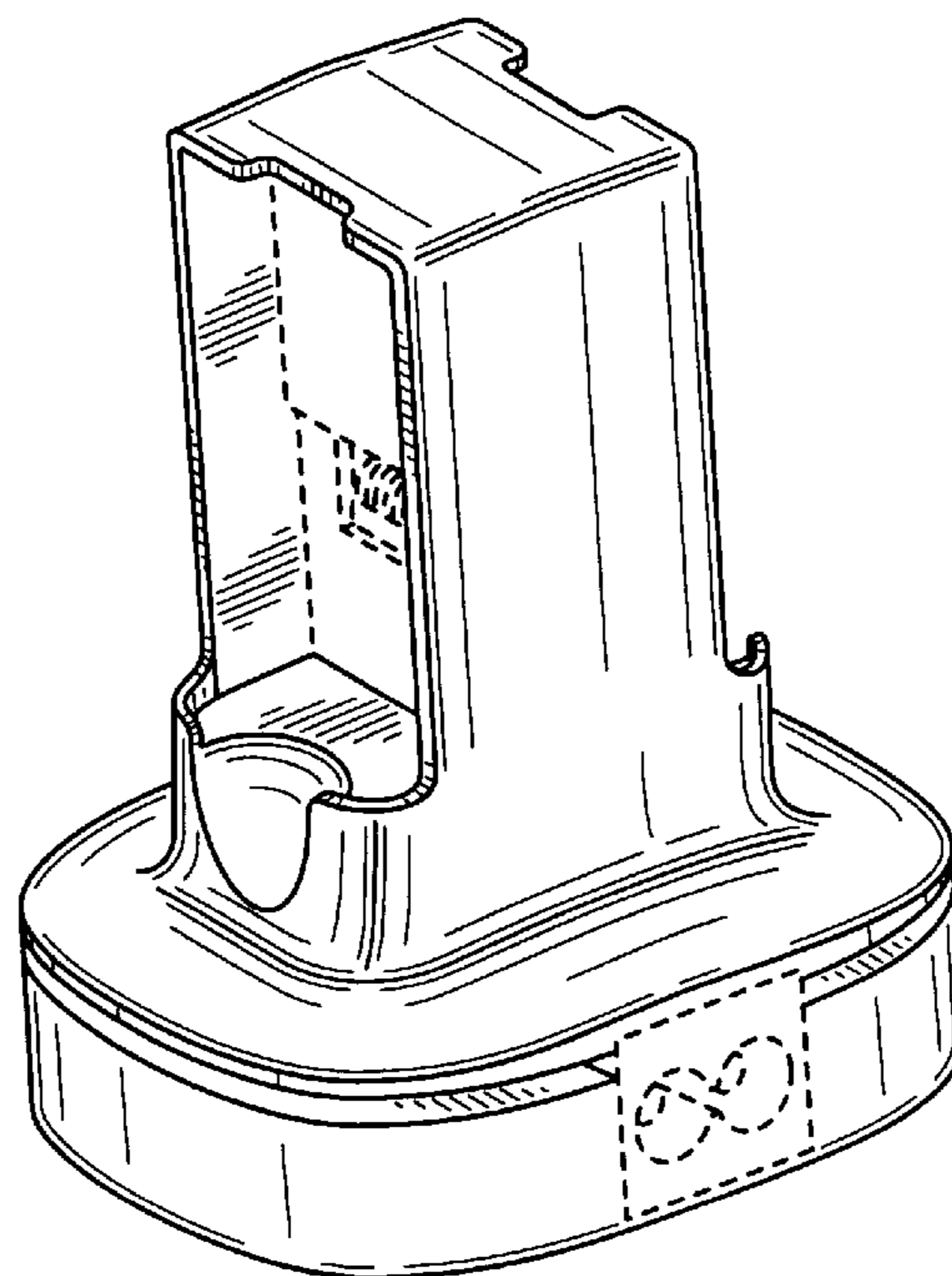


FIG. 2

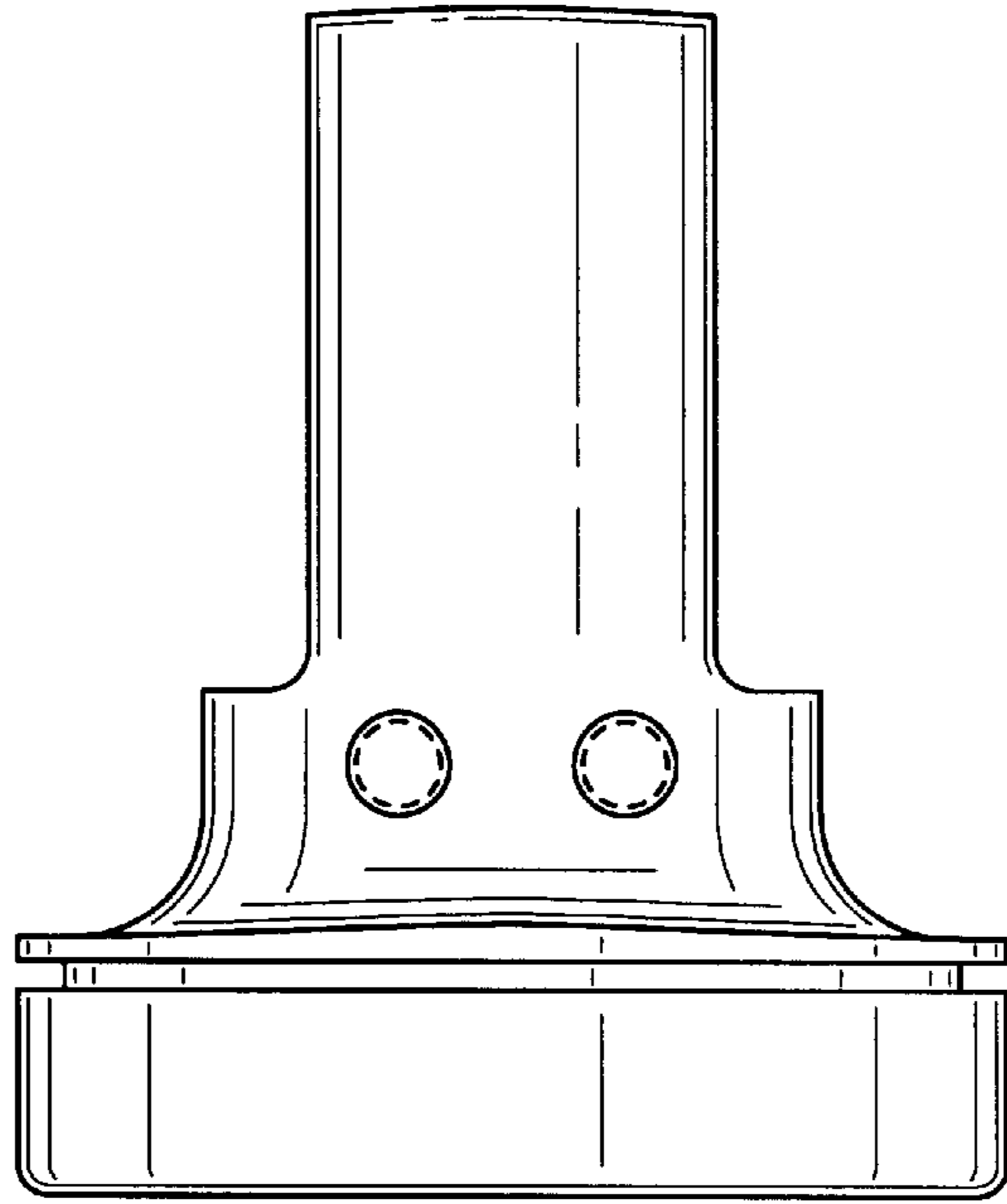


FIG. 3

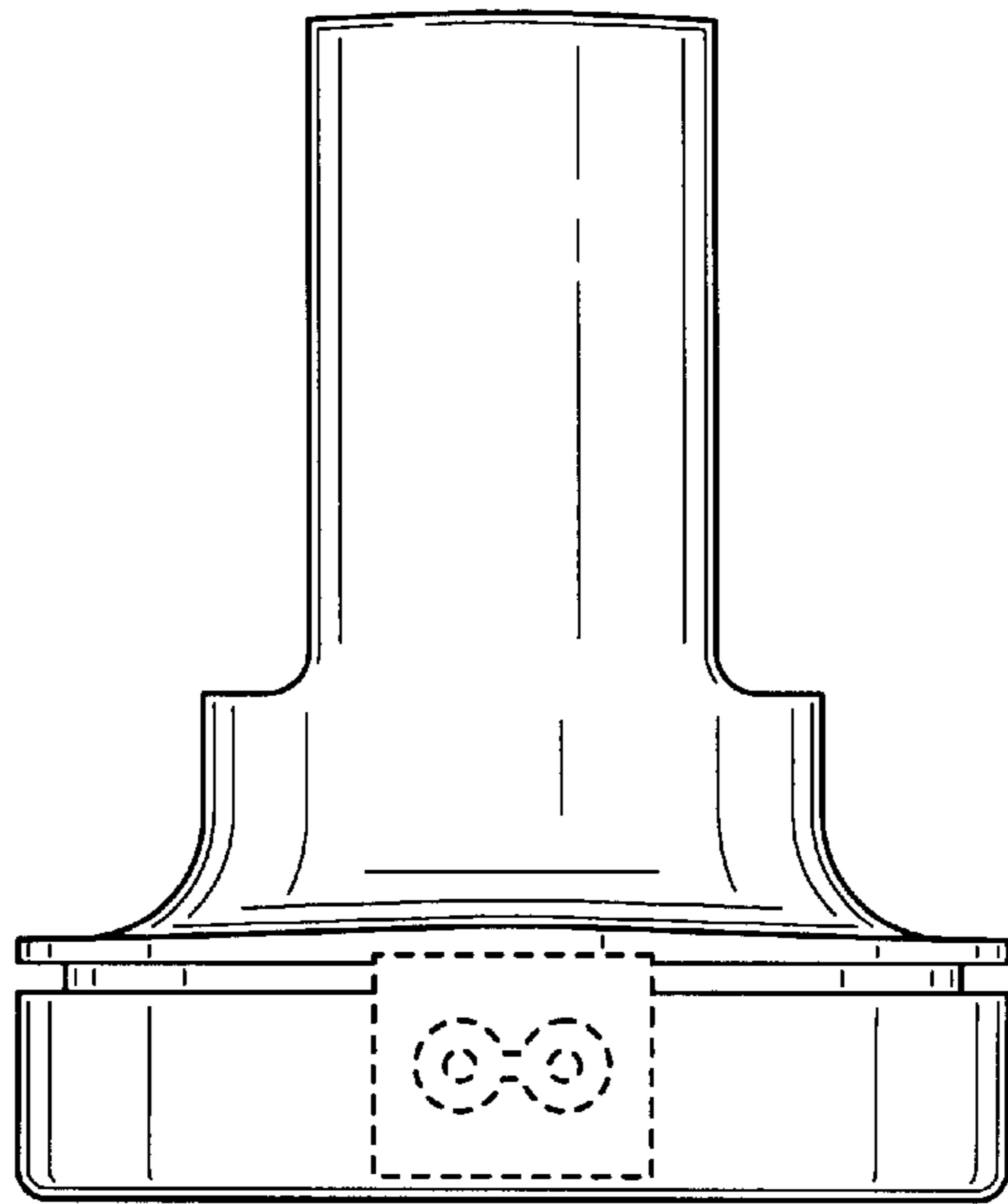


FIG. 4

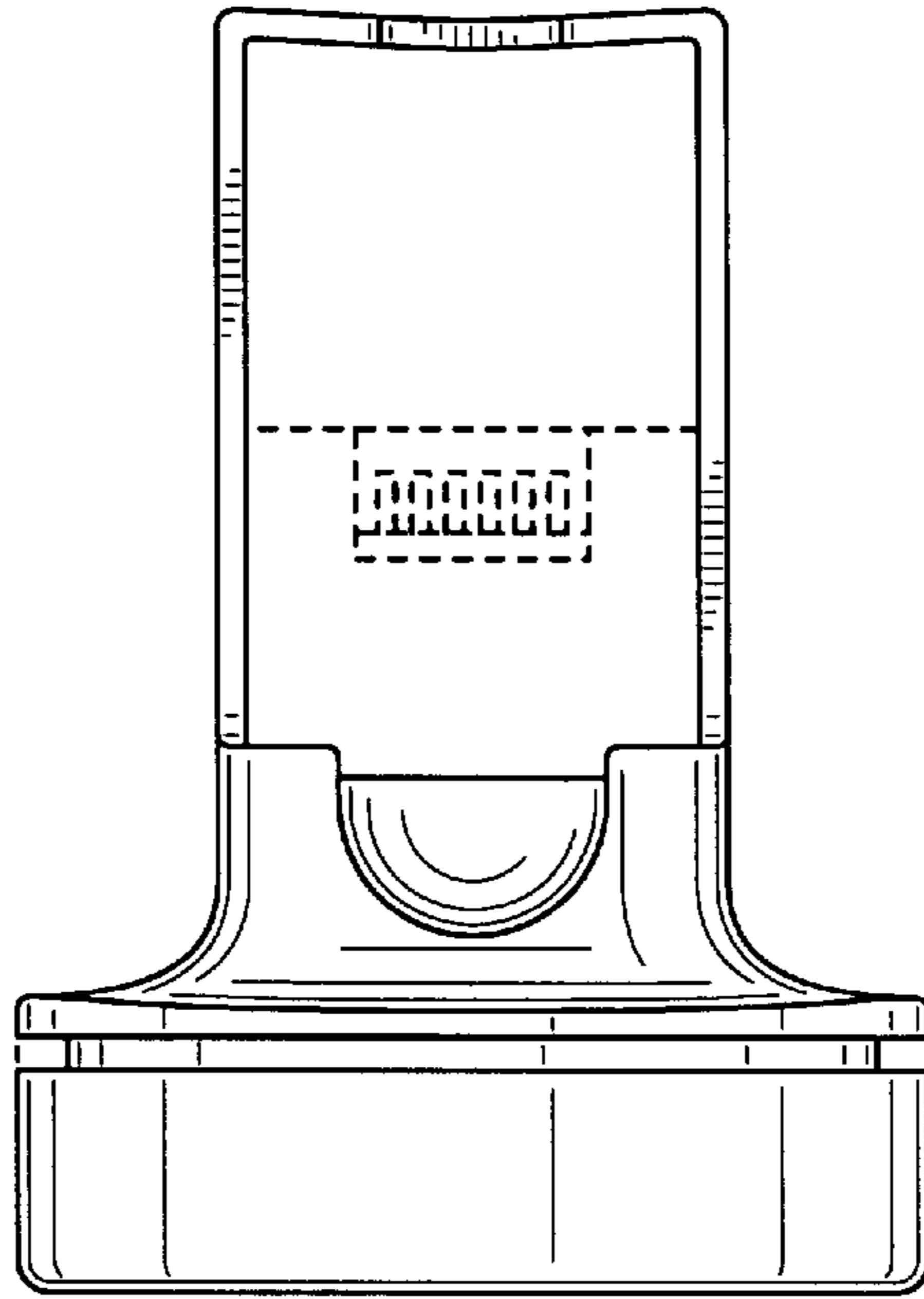


FIG. 5

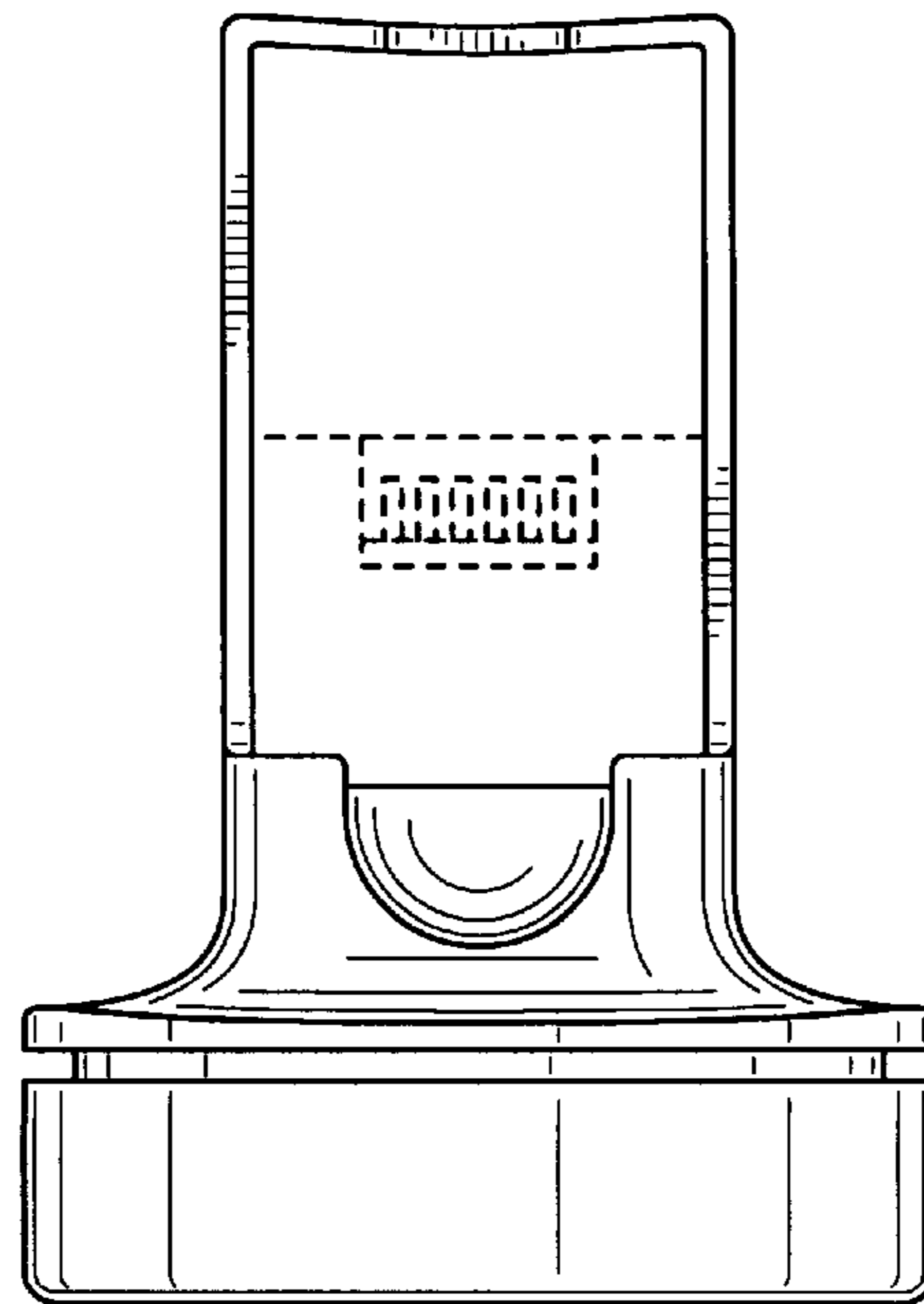


FIG. 6

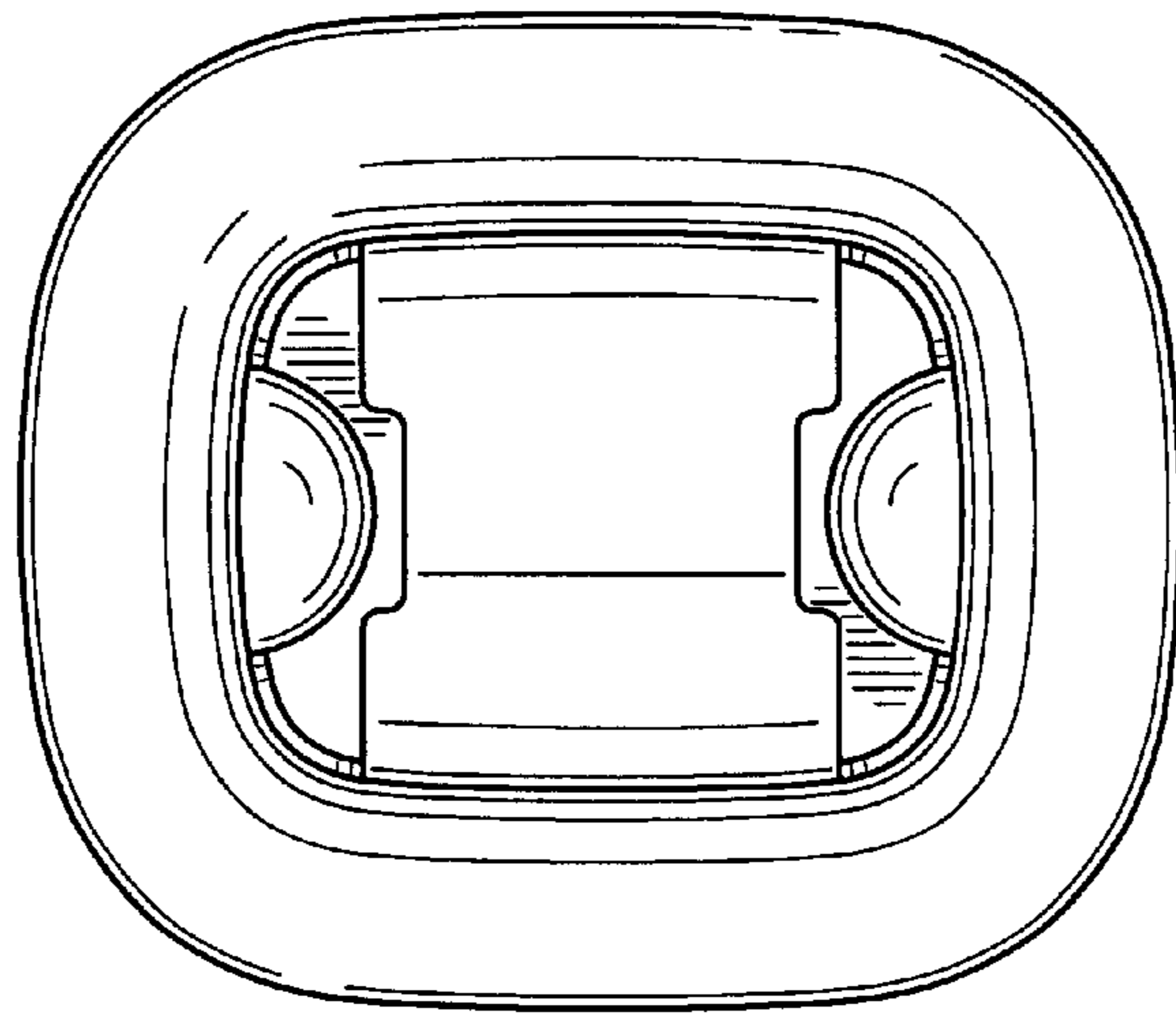


FIG. 7

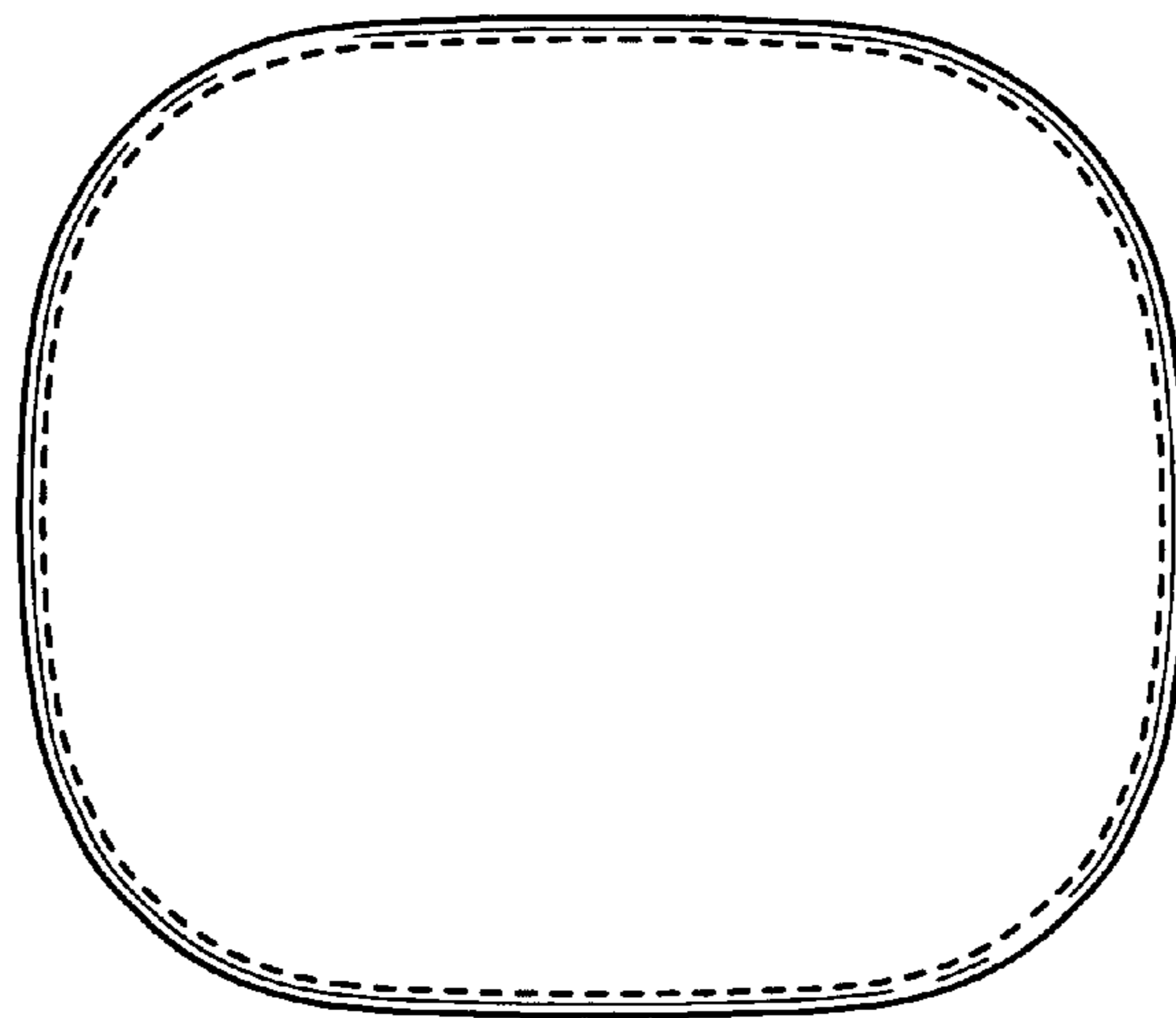


FIG. 8