



US00D522962S

(12) **United States Design Patent**
Ishida et al.

(10) **Patent No.:** **US D522,962 S**
(45) **Date of Patent:** **** Jun. 13, 2006**

(54) **AUTOMOBILE TIRE**

D500,009 S * 12/2004 Okubo D12/586
D507,519 S * 7/2005 Lo D12/556

(75) Inventors: **Masahiro Ishida**, Kanagawa (JP);
Hirohisa Hazama, Kanagawa (JP);
Hiroshi Tokizaki, Tokyo (JP);
Koutarou Iwabuchi, Tokyo (JP); **Izumi Kuramochi**, Tokyo (JP)

OTHER PUBLICATIONS

Road King Intimidator SR With Uni-T Tire, 2003 Tread Design Guide, Jan. 2003, p. 53. 2/5.*
Nokian WR All Weather Plus SUV Tire, 2003 Tread Design Guide, Jan. 2003, p. 96. 3/1.*
Yokohama Geolander H/T-S Tire, 2003 Tread Design Guide, Jan. 2003, p. 106. 2/4.*

(73) Assignee: **The Yokohama Rubber Co., Ltd.** (JP)

(**) Term: **14 Years**

* cited by examiner

(21) Appl. No.: **29/211,238**

Primary Examiner—Robert M. Spear

(22) Filed: **Aug. 13, 2004**

(74) *Attorney, Agent, or Firm*—Rader, Fishman & Grauer PLLC

(30) **Foreign Application Priority Data**

Feb. 18, 2004 (JP) 2004-004118

(57) **CLAIM**

(51) **LOC (8) Cl.** **12-15**

The ornamental design for automobile tire, as shown and described.

(52) **U.S. Cl.** **D12/556**

(58) **Field of Classification Search** D12/551,
D12/553, 555, 556, 564, 565, 586, 590, 591,
D12/601; 152/209.1, 209.13, 209.28
See application file for complete search history.

DESCRIPTION

(56) **References Cited**

U.S. PATENT DOCUMENTS

- D366,020 S * 1/1996 Himuro et al. D12/552
- D389,791 S * 1/1998 Himuro D12/556
- D400,140 S * 10/1998 Graas D12/552
- D409,956 S * 5/1999 Gerresheim et al. D12/550
- D416,836 S * 11/1999 Himuro D12/556
- 5,996,661 A * 12/1999 Gerresheim et al. ... 152/209.22
- D432,057 S * 10/2000 Himuro D12/555
- 6,213,180 B1 * 4/2001 Himuro 152/209.15
- D445,730 S * 7/2001 Himuro D12/555
- D451,443 S * 12/2001 Graas D12/550
- D485,229 S * 1/2004 Murata D12/556

FIG. 1 is a front view of an automobile tire, showing the new design, a top plan view thereof and a bottom plan view thereof appearing the same as the front view;
FIG. 2 is a rear view of the automobile tire;
FIG. 3 is a right side view of the automobile tire;
FIG. 4 is a left side view of the automobile tire;
FIG. 5 is a fragmentary front view, showing in enlargement the portion of 5—5 in FIG. 1;
FIG. 6 is a cross-sectional view, taken along line 6—6 and in the direction of arrows in FIG. 5; and,
FIG. 7 is a perspective view of the automobile tire.
In the drawings, the evenly broken lines showing a sidewall and inner bead represent unclaimed environmental structure. The dash-dot-dash lines represent the boundaries of the claim and form no part thereof.

1 Claim, 5 Drawing Sheets

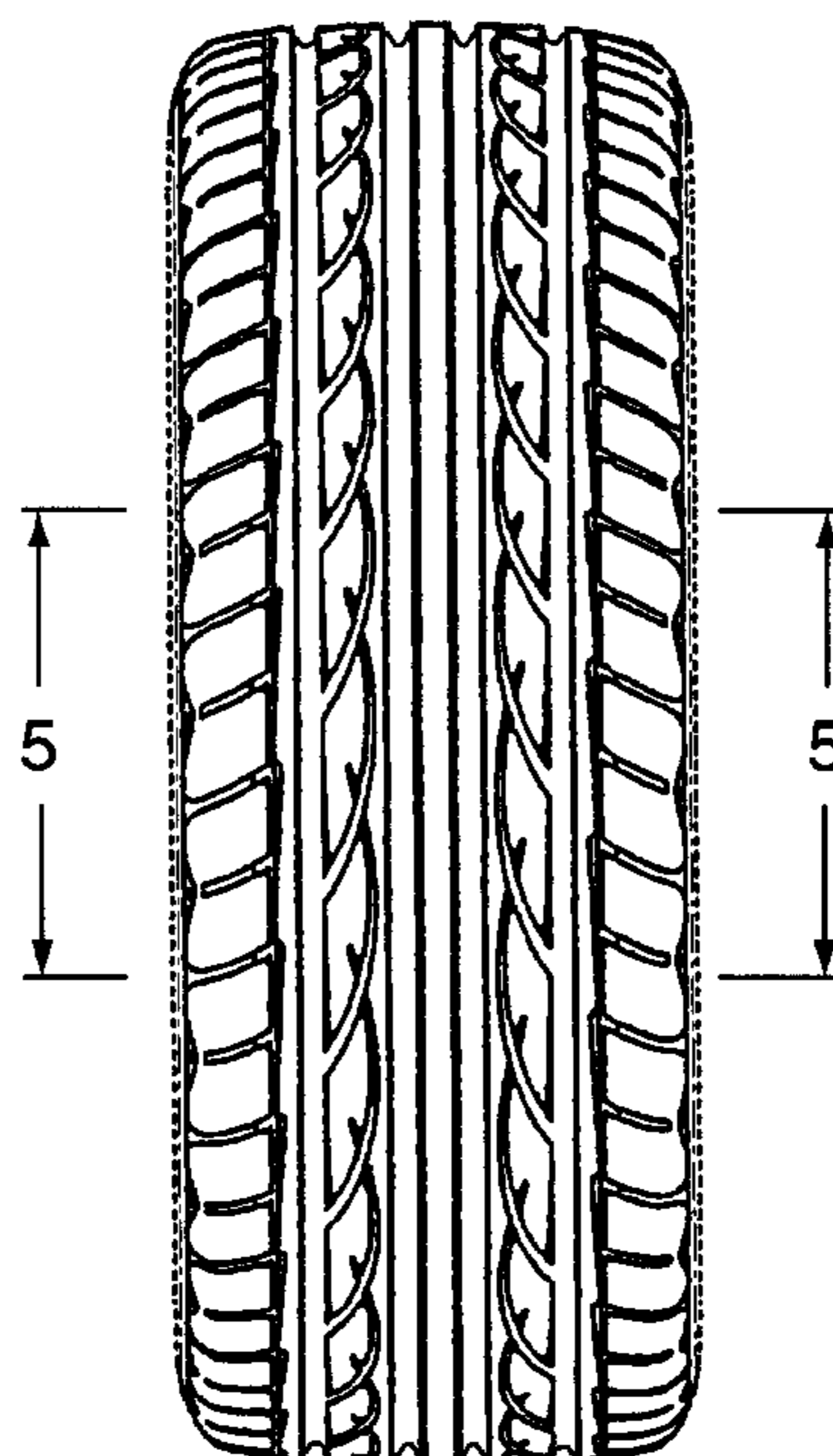


FIG.1

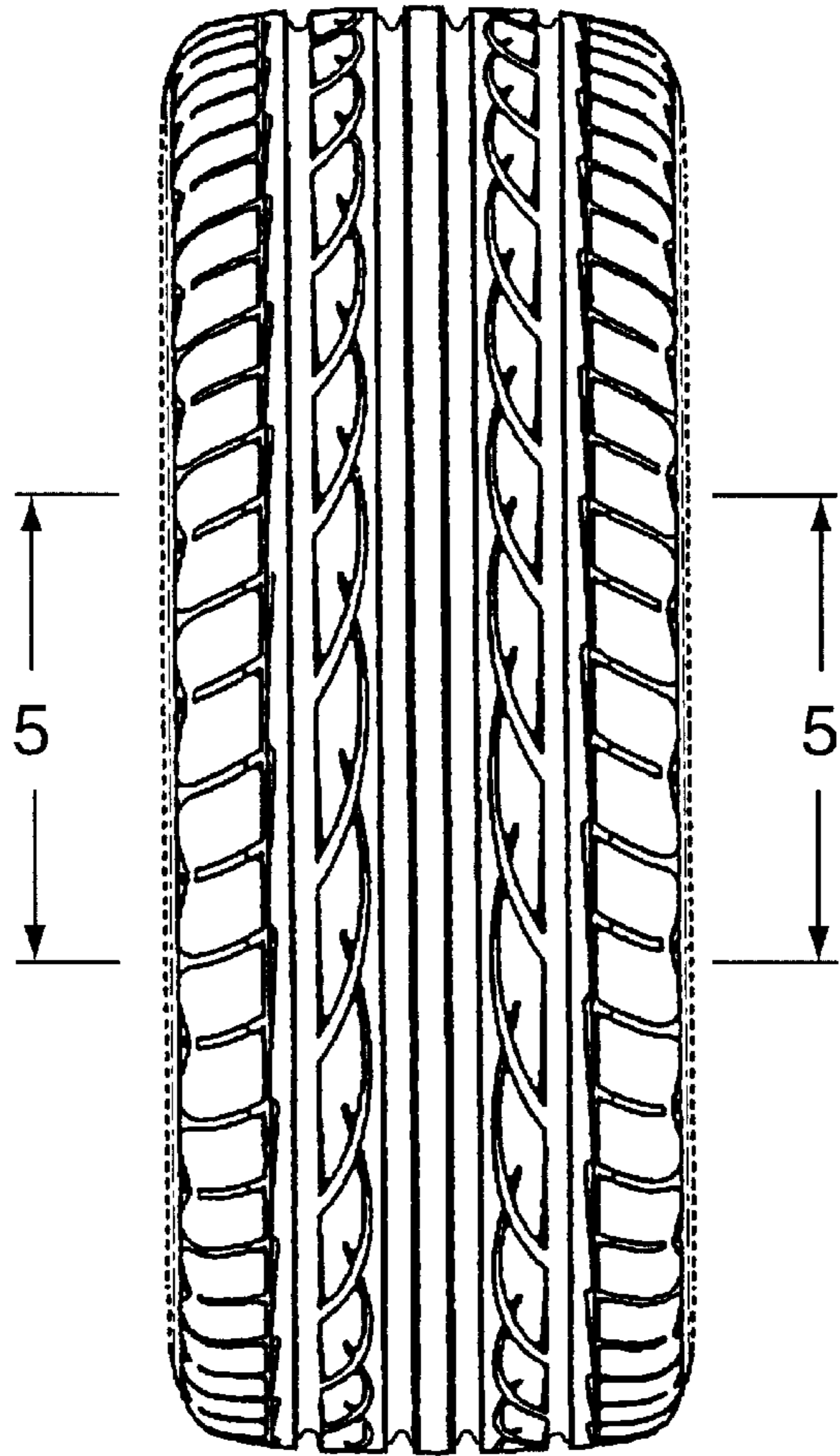


FIG.2

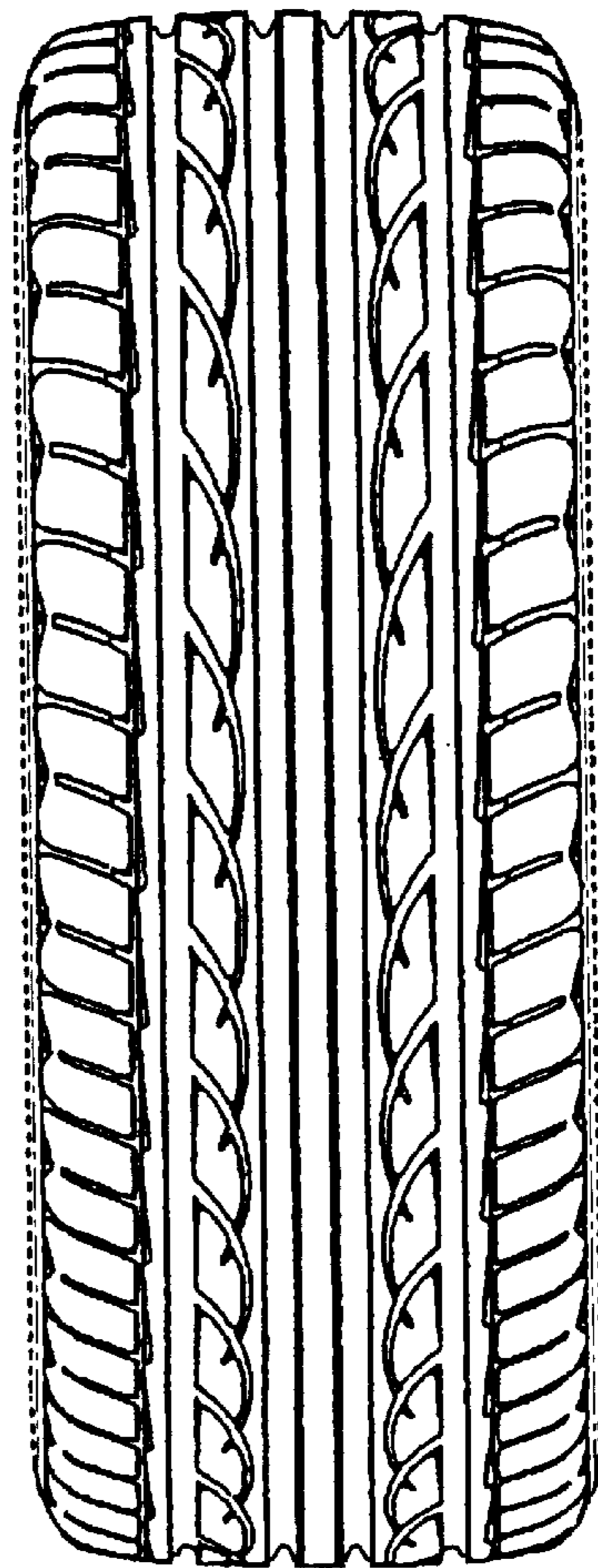


FIG.3

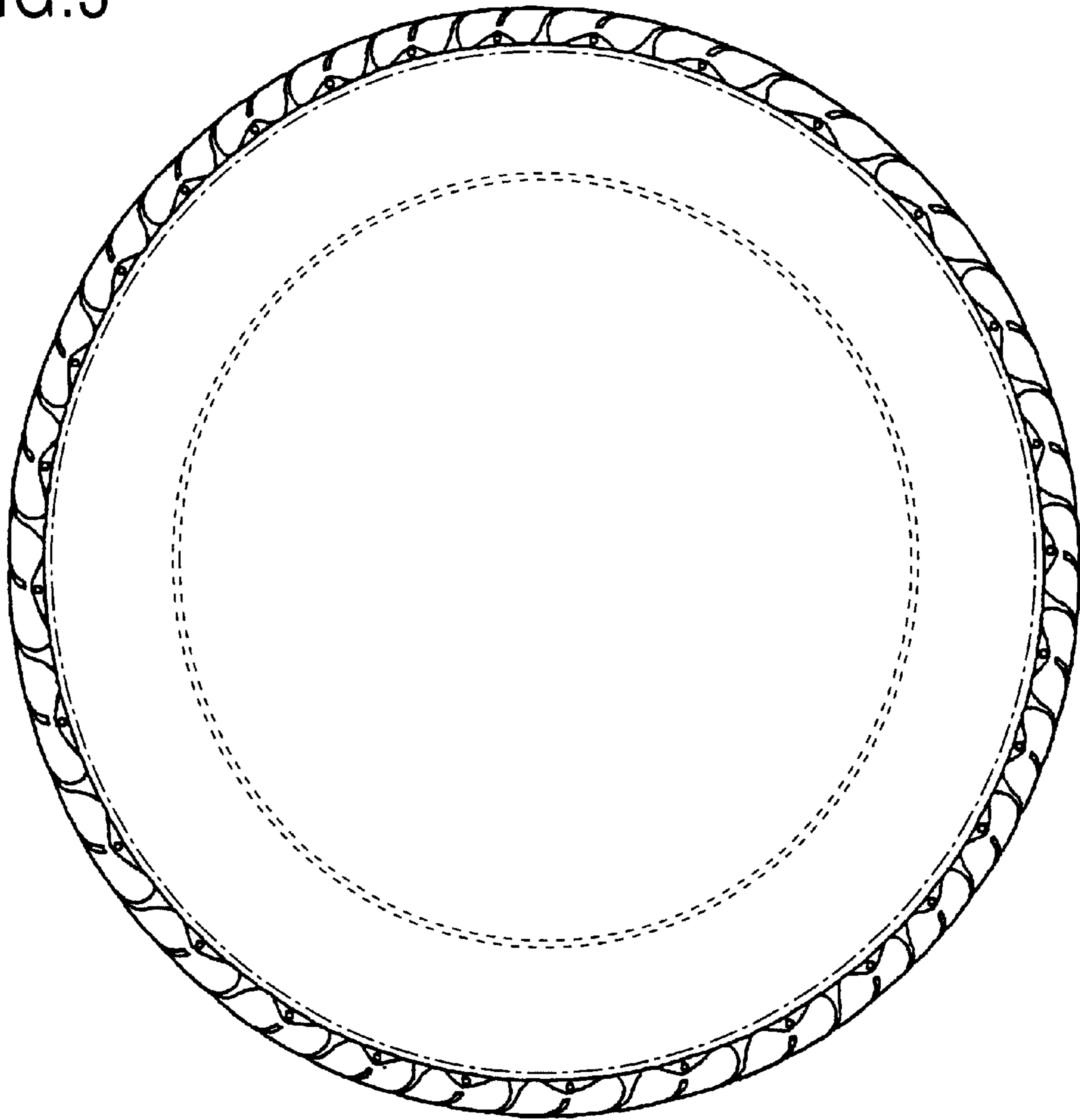


FIG.4

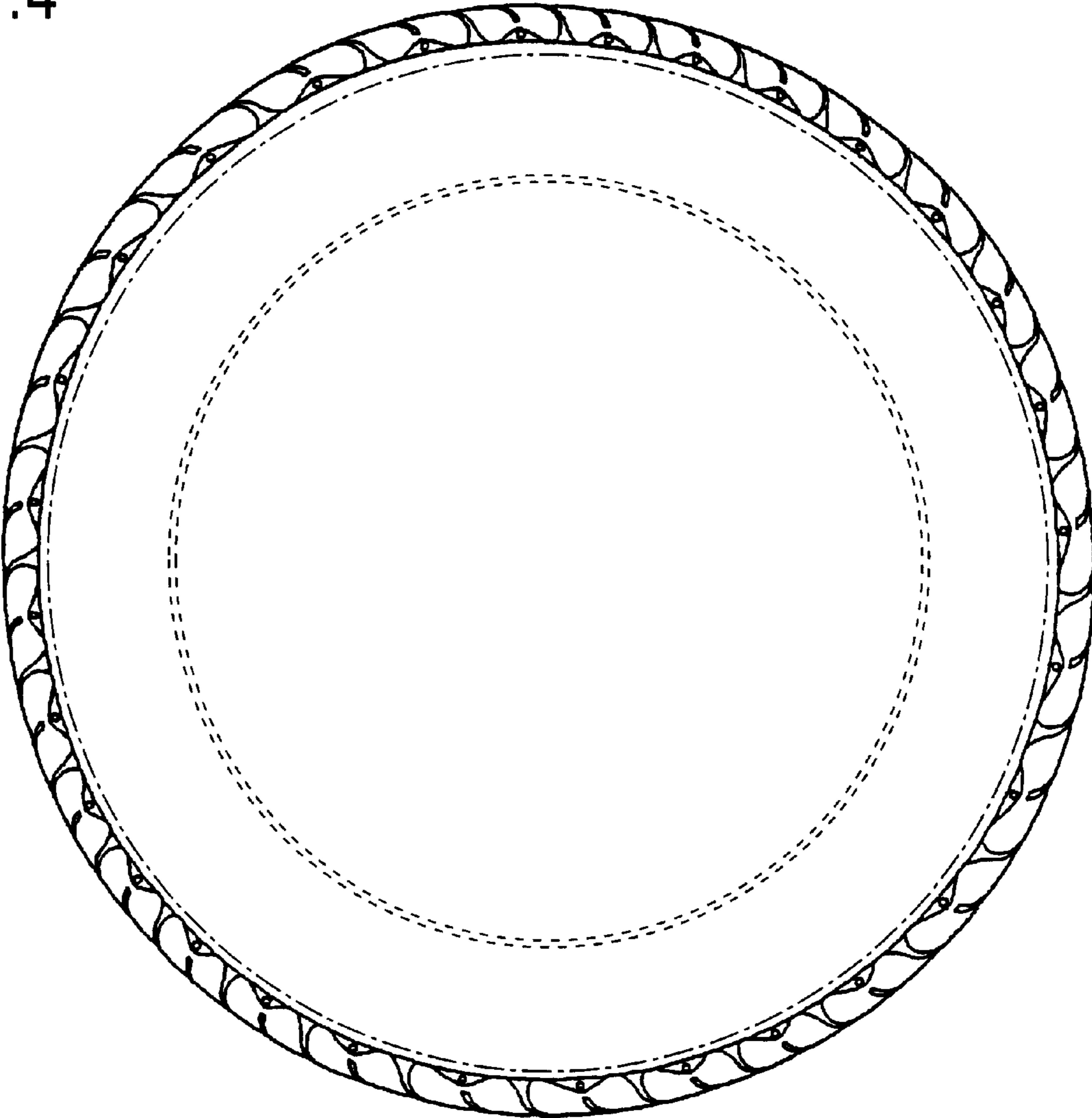


FIG.5

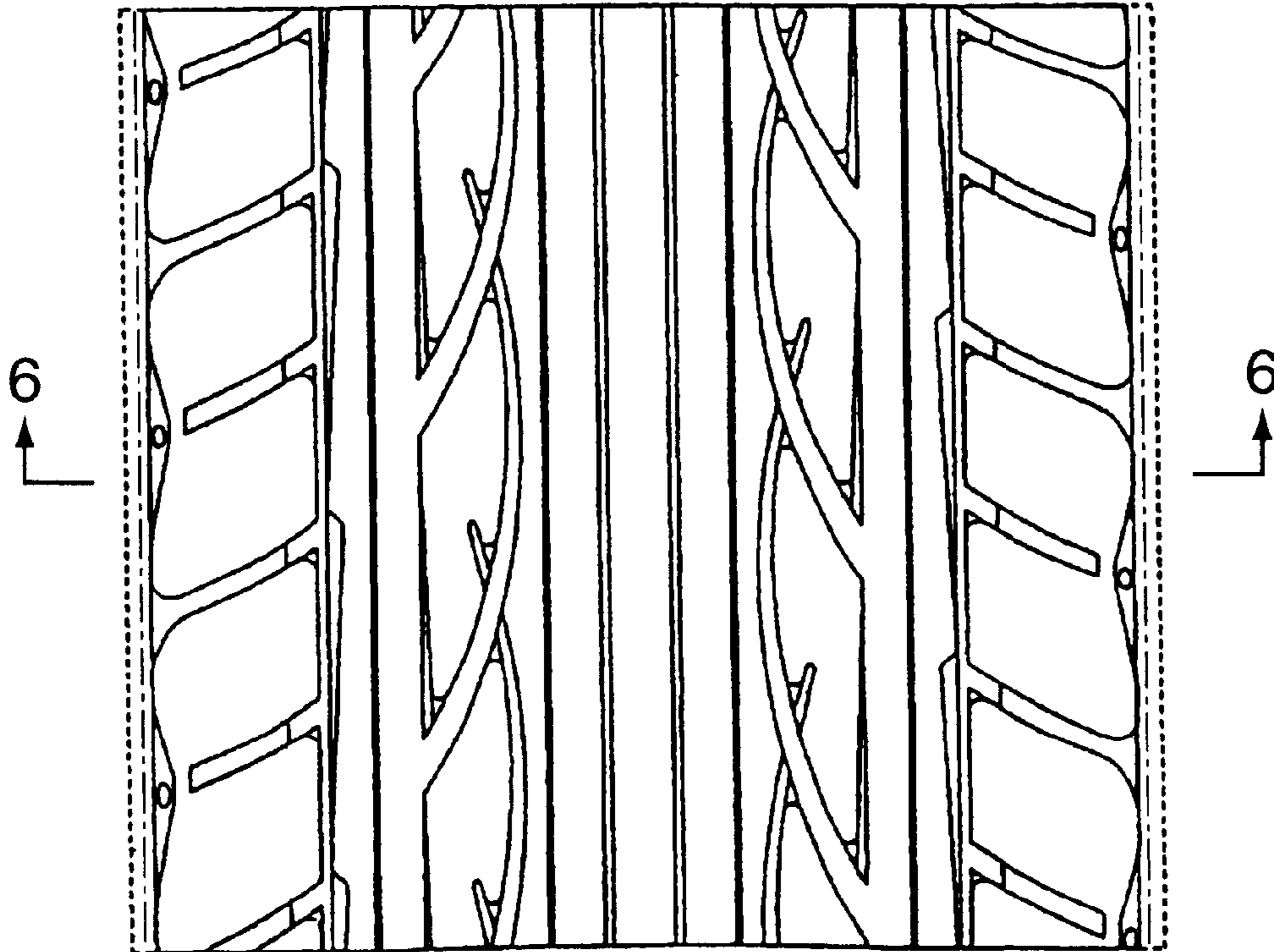


FIG.6

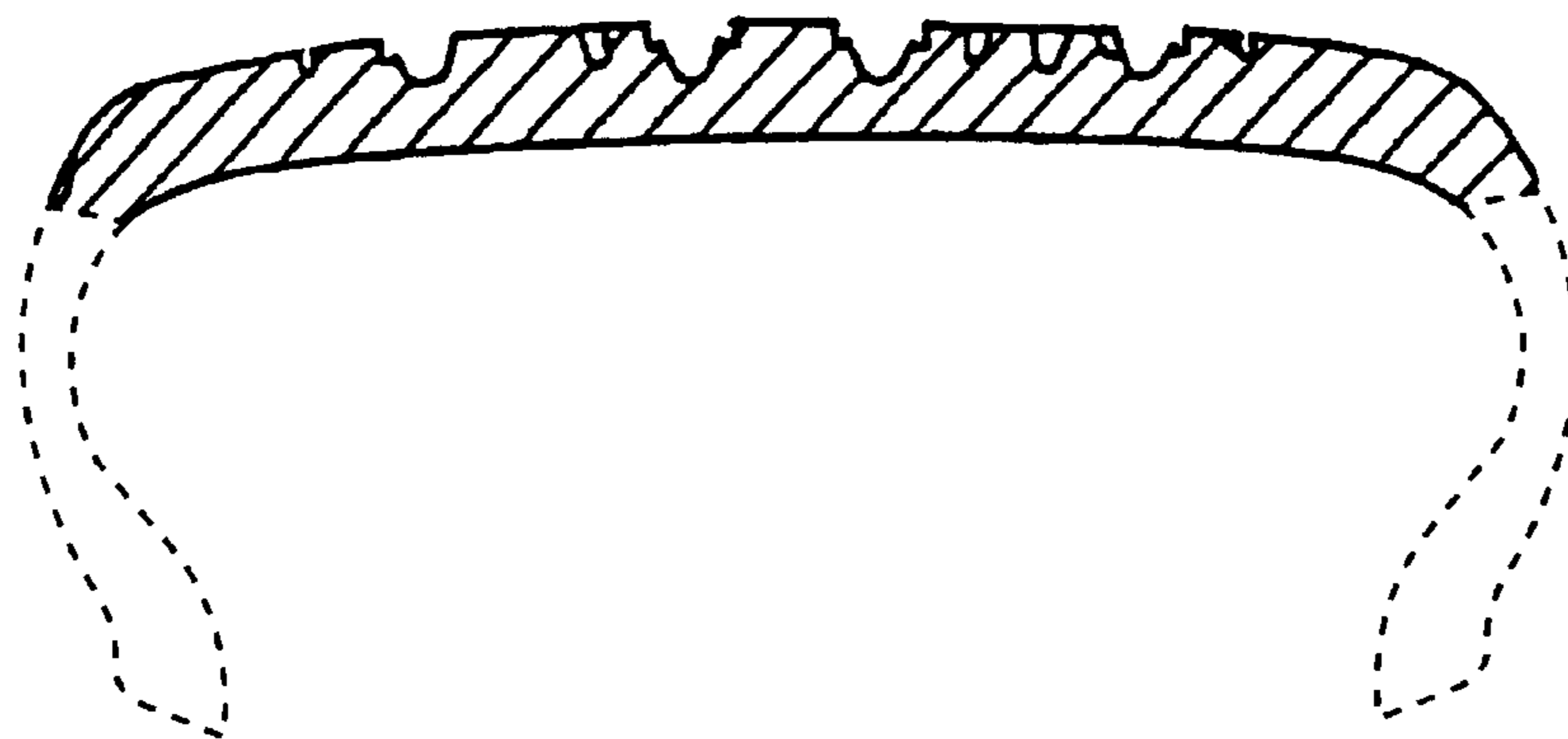


FIG. 7

