



US00D522957S

(12) **United States Design Patent**
Miyashita

(10) **Patent No.:** **US D522,957 S**
(45) **Date of Patent:** **** Jun. 13, 2006**

(54) **CENTER CONSOLE FOR AUTOMOBILE**

(75) Inventor: **Tatsuki Miyashita, Wako (JP)**

(73) Assignee: **Honda Motor Co., Ltd., Tokyo (JP)**

(**) Term: **14 Years**

(21) Appl. No.: **29/236,376**

(22) Filed: **Aug. 16, 2005**

(30) **Foreign Application Priority Data**

Feb. 18, 2005 (JP) 2005-004525

(51) **LOC (8) Cl.** **12-16**

(52) **U.S. Cl.** **D12/424; D12/415**

(58) **Field of Classification Search** D12/415,
D12/419-425; 280/750-752; 297/411.2,
297/411.21; 224/926-928, 400, 539-543;
296/37.13-37.16, 37.1-37.8, 24.34, 24.3
See application file for complete search history.

(56) **References Cited**

U.S. PATENT DOCUMENTS

- D430,104 S * 8/2000 McDonald D12/419
- D432,076 S * 10/2000 Stickles et al. D12/419
- D459,288 S * 6/2002 Tsay D12/415
- 6,478,204 B1 * 11/2002 Lange et al. 224/539
- D474,441 S * 5/2003 Hill et al. D12/415

- 6,616,206 B1 * 9/2003 Luginbill et al. 296/37.8
- 6,719,343 B1 * 4/2004 Emerling et al. 296/24.34
- D495,989 S * 9/2004 Kohara D12/424
- D502,910 S * 3/2005 Klopp et al. D12/421
- D507,777 S * 7/2005 Klopp et al. D12/415

* cited by examiner

Primary Examiner—Stacia Cadmus

(74) *Attorney, Agent, or Firm*—Sughrue Mion, PLLC

(57) **CLAIM**

The ornamental design for a center console for automobile, as shown and described.

DESCRIPTION

FIG. 1 is a perspective view from the front left side of a center console for automobile.

FIG. 2 is a perspective view from the front right side thereof.

FIG. 3 is a perspective view from the rear left side thereof.

FIG. 4 is a perspective view from the rear right side thereof.

FIG. 5 is a front elevation view thereof.

FIG. 6 is a rear elevation view thereof.

FIG. 7 is a right side elevation view thereof; and,

FIG. 8 is a left side elevation view thereof.

The portion of the article shown in broken lines is for illustrative purpose only and forms no part of the claimed design.

1 Claim, 8 Drawing Sheets

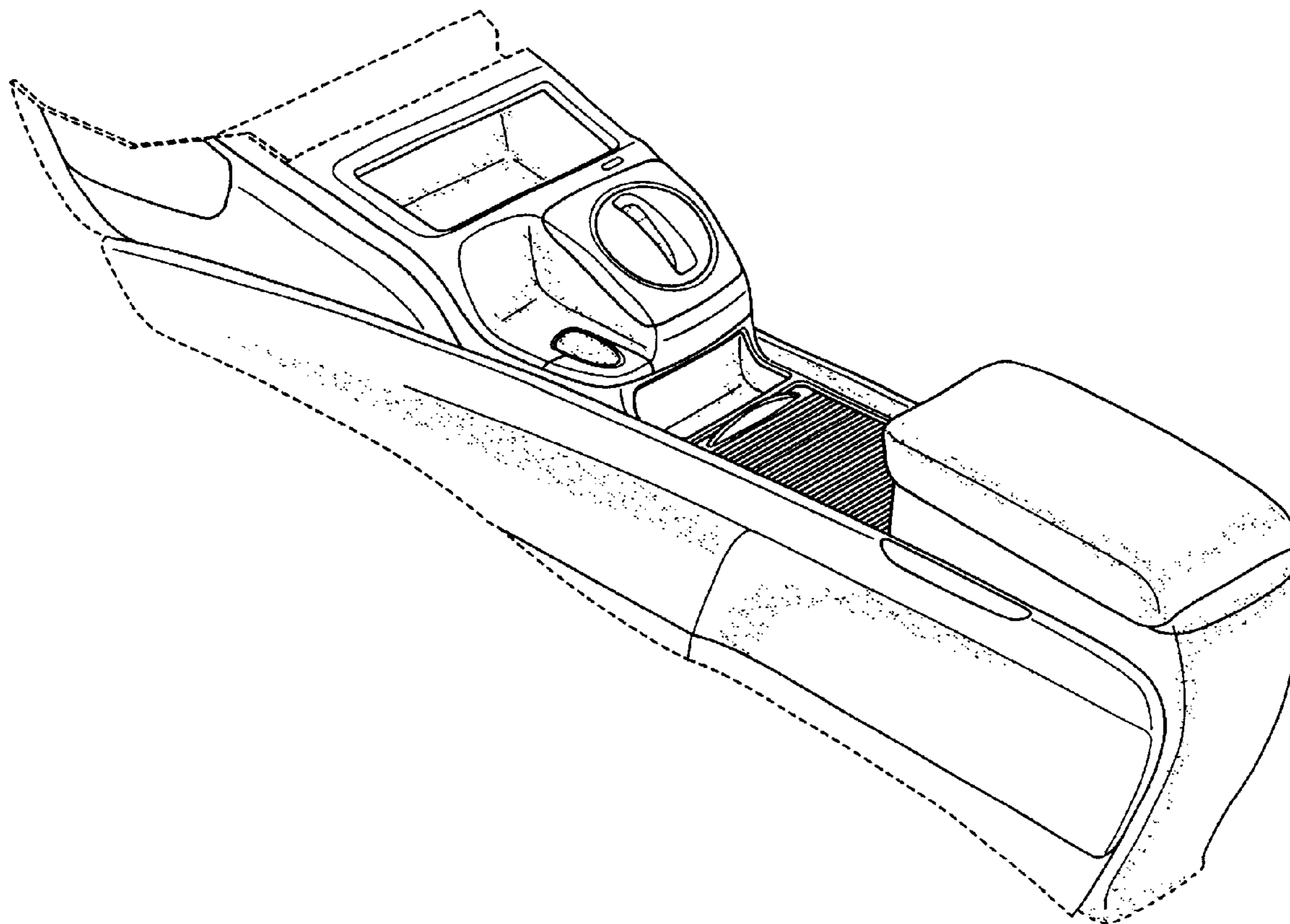


FIG. 1

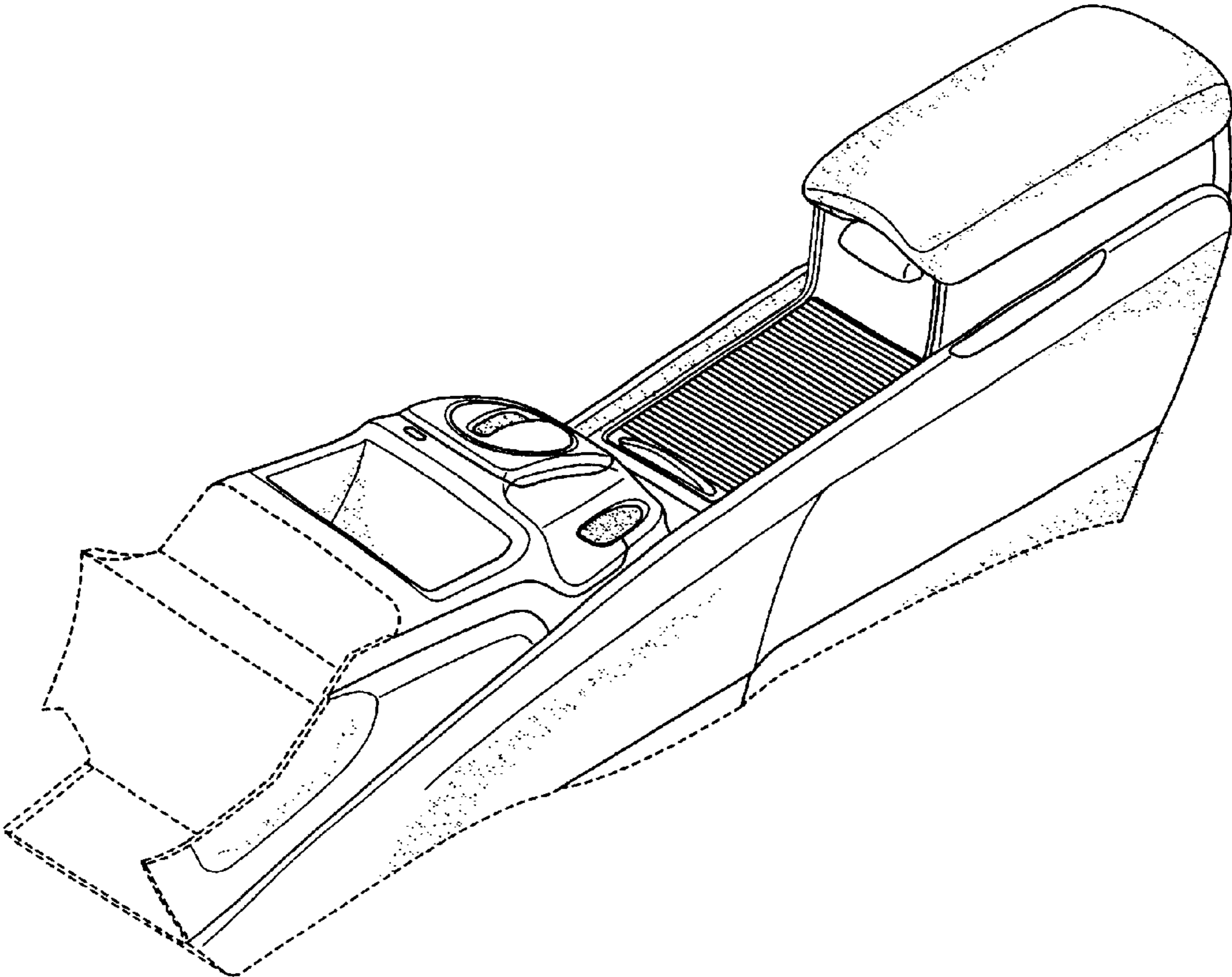


FIG. 2

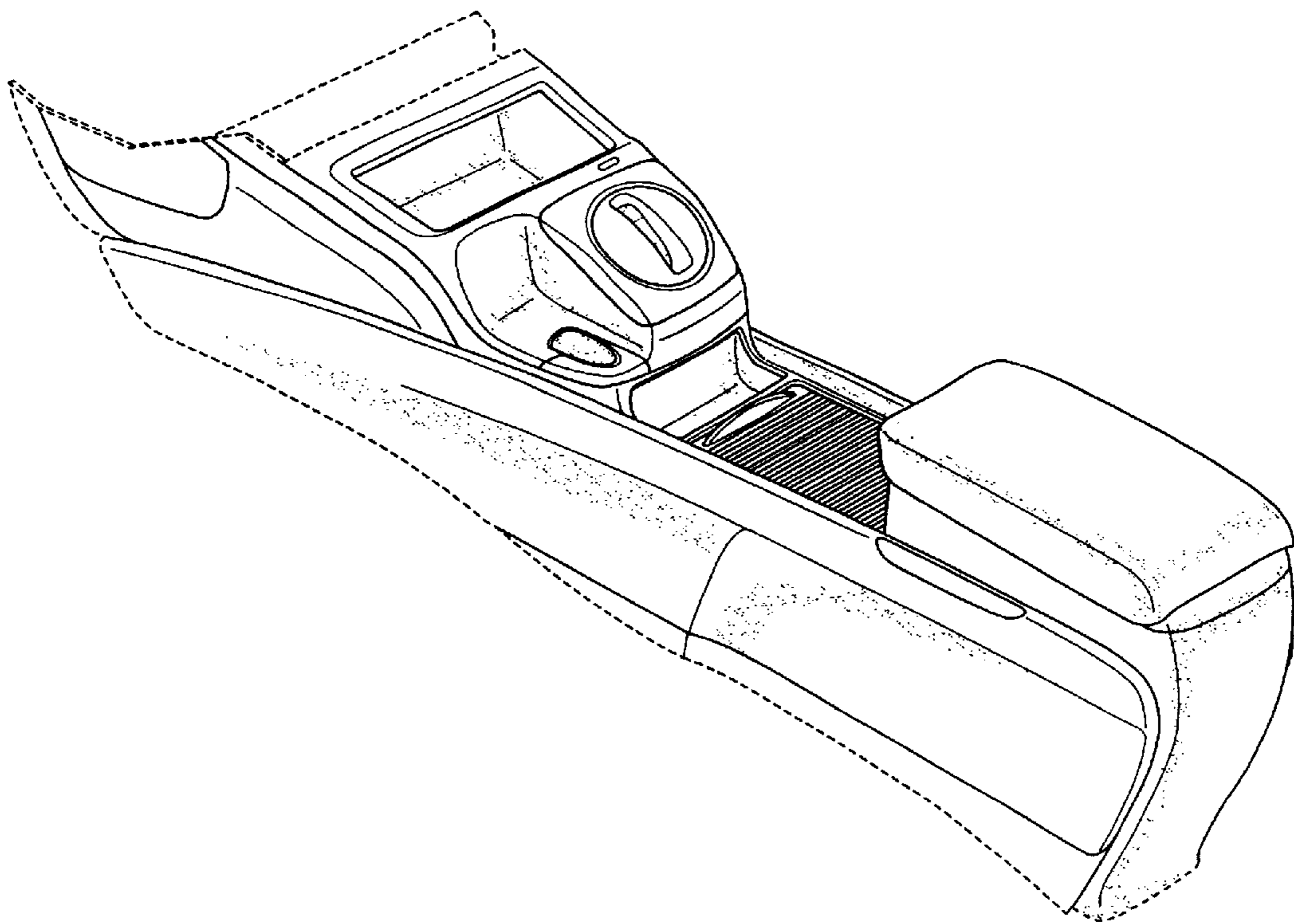


FIG. 3

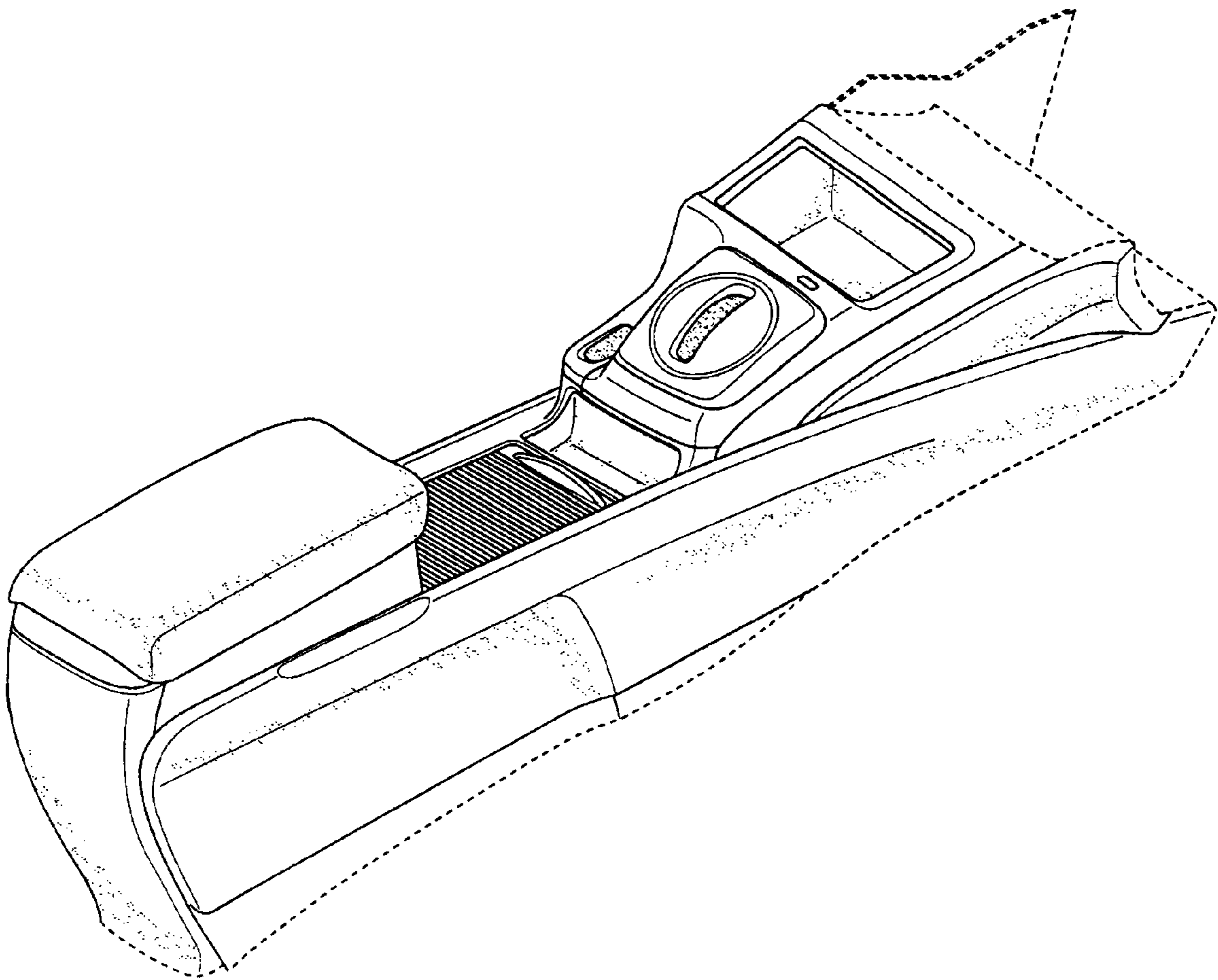


FIG. 4

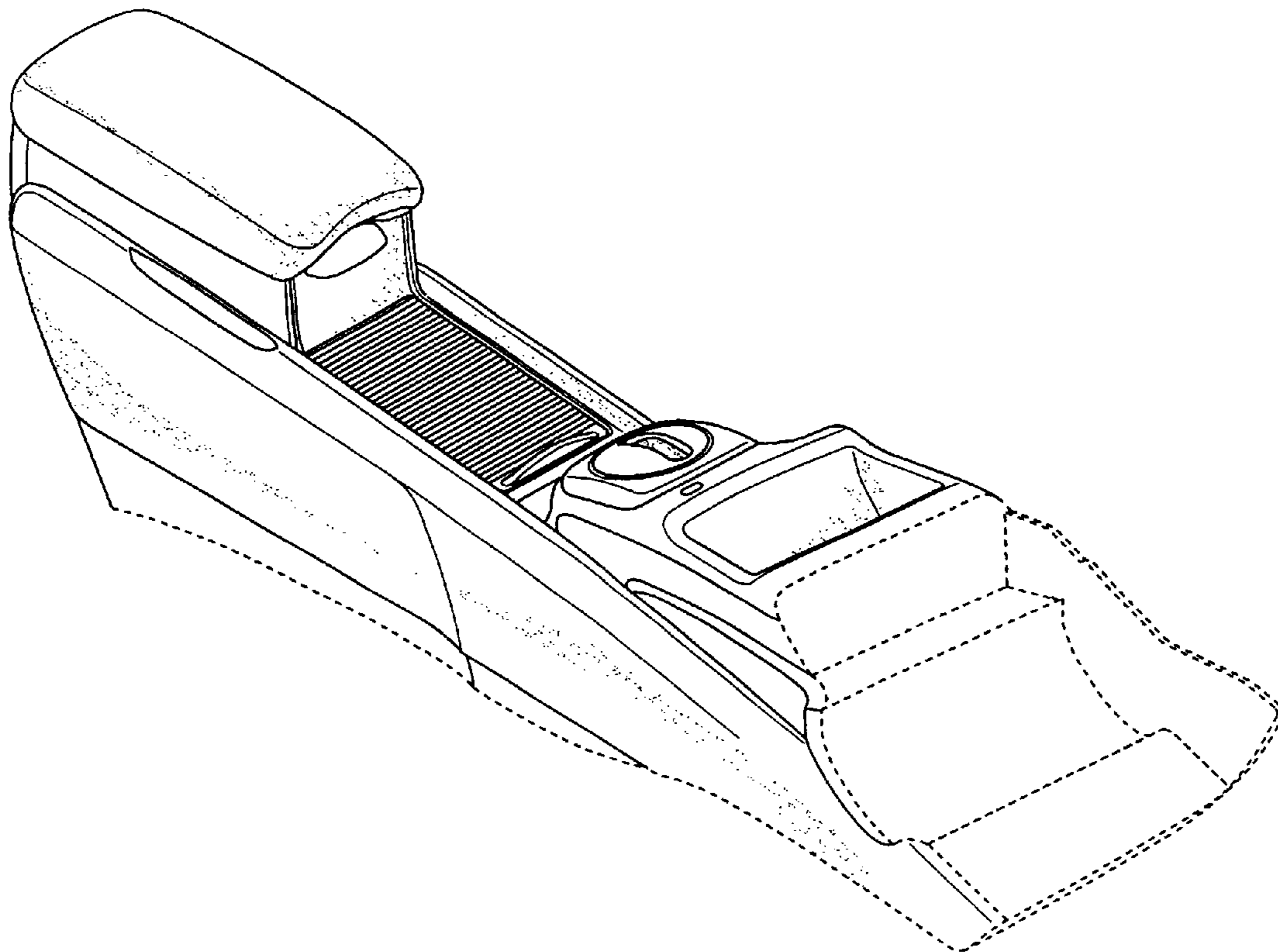


FIG. 5

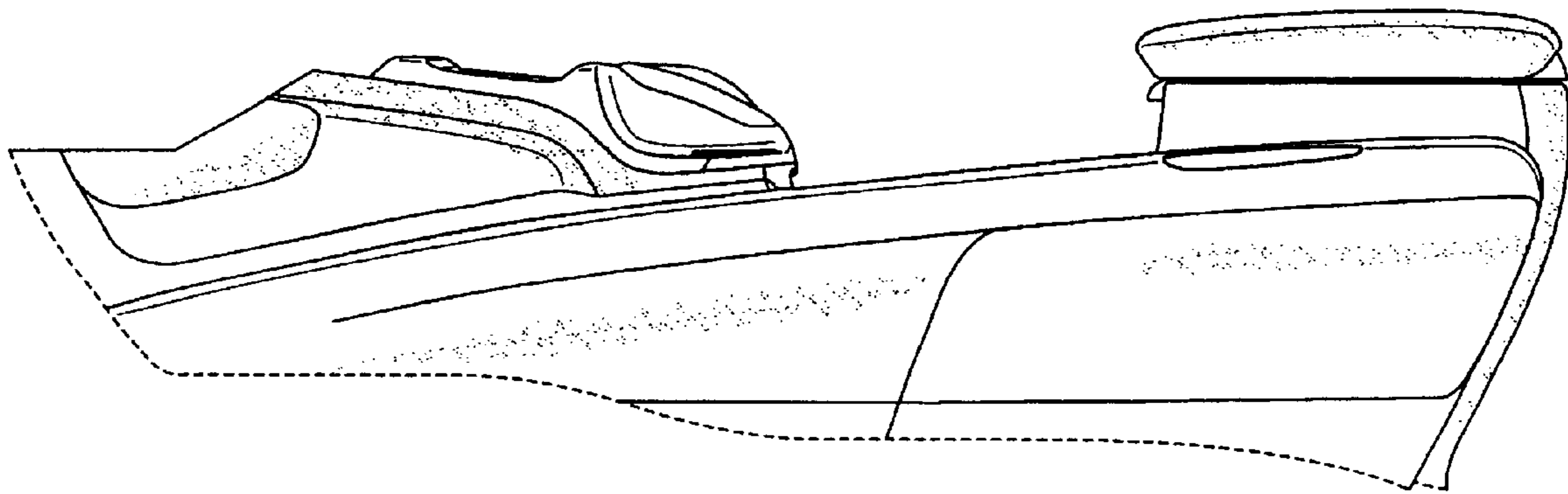


FIG. 6

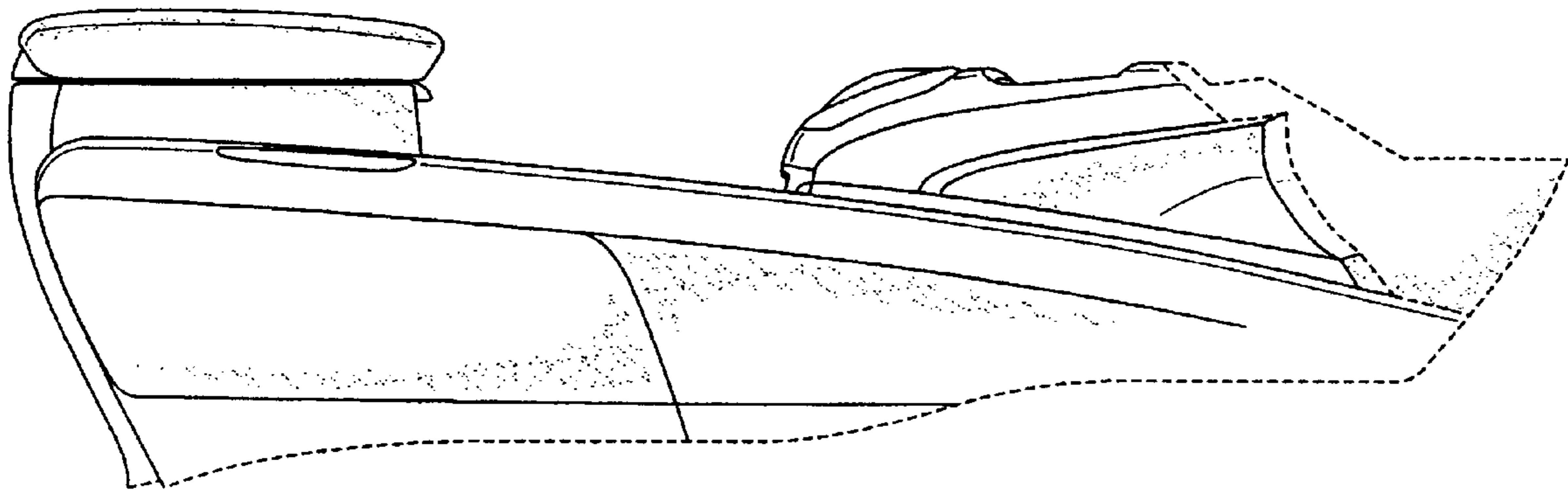


FIG. 7

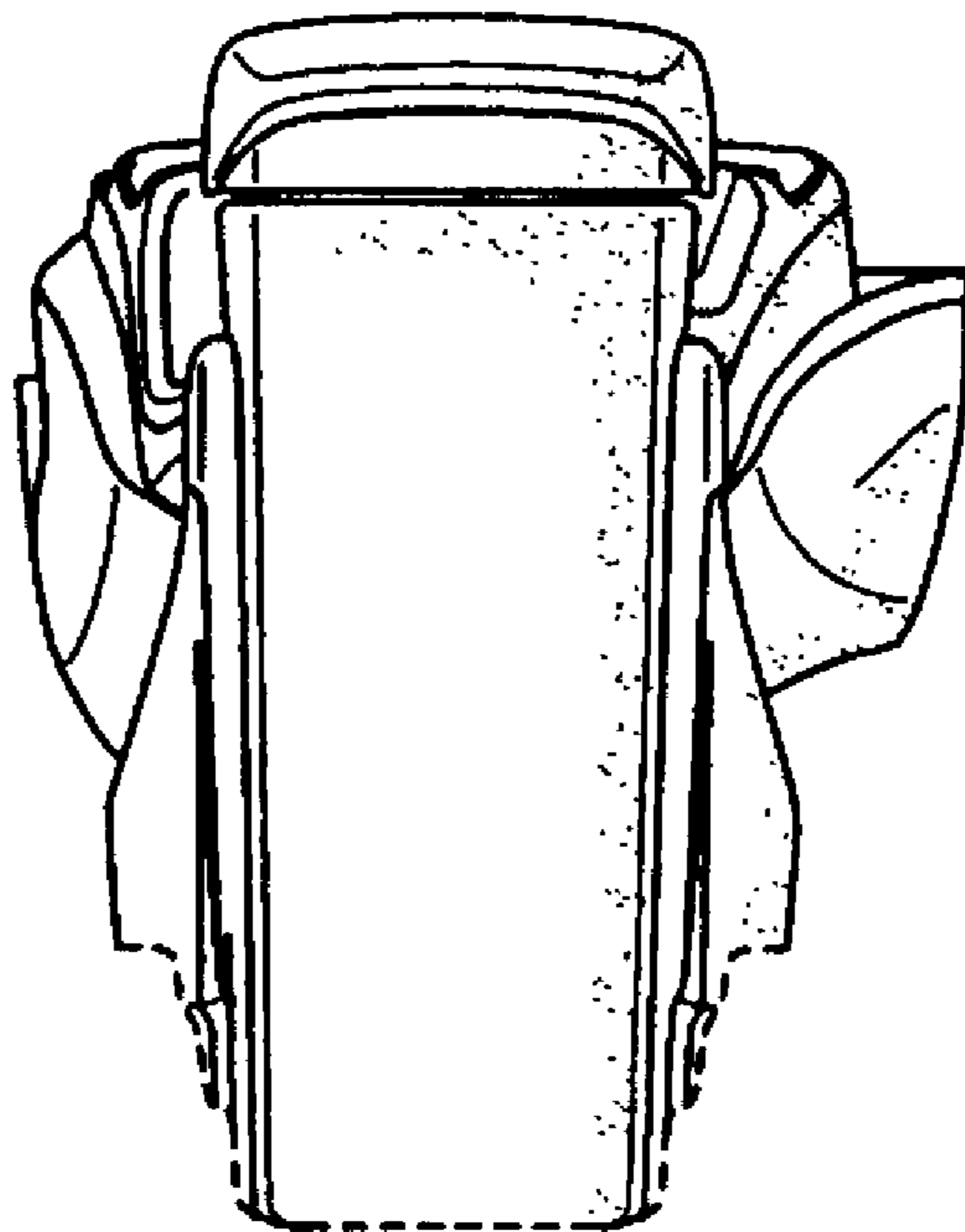


FIG. 8

