



US00D522954S

(12) **United States Design Patent**
Hueller

(10) **Patent No.:** **US D522,954 S**
(45) **Date of Patent:** **** Jun. 13, 2006**

(54) **FRONT FACE OF A VEHICLE WHEEL**

(75) Inventor: **Jochen Hueller**, Pforzheim (DE)

(73) Assignee: **Bayerische Motoren Werke
Aktiengesellschaft**, Munich (DE)

(**) Term: **14 Years**

(21) Appl. No.: **29/238,881**

(22) Filed: **Sep. 23, 2005**

(30) **Foreign Application Priority Data**

Mar. 26, 2005 (DE) 4 05 01 780

(51) **LOC (8) Cl.** **12-16**

(52) **U.S. Cl.** **D12/211**

(58) **Field of Classification Search** D12/204-213;
301/37.101, 64.101, 65

See application file for complete search history.

(56) **References Cited**

U.S. PATENT DOCUMENTS

D402,951 S * 12/1998 Wechner D12/211
D419,945 S * 2/2000 Hartanto D12/211
D428,847 S * 8/2000 Hussaini et al. D12/211

D466,851 S * 12/2002 Pfeiffer et al. D12/211
D473,836 S * 4/2003 Laengerer D12/211
D479,178 S * 9/2003 Lai D12/211
D493,764 S * 8/2004 Sulahian D12/211
D499,686 S * 12/2004 Song D12/211
D504,382 S * 4/2005 Elmitt D12/211
D509,467 S * 9/2005 Gabath D12/211

* cited by examiner

Primary Examiner—Stacia Cadmus

(74) *Attorney, Agent, or Firm*—Crowell & Moring LLP

(57) **CLAIM**

The ornamental design for a front face of a vehicle wheel, as shown and described.

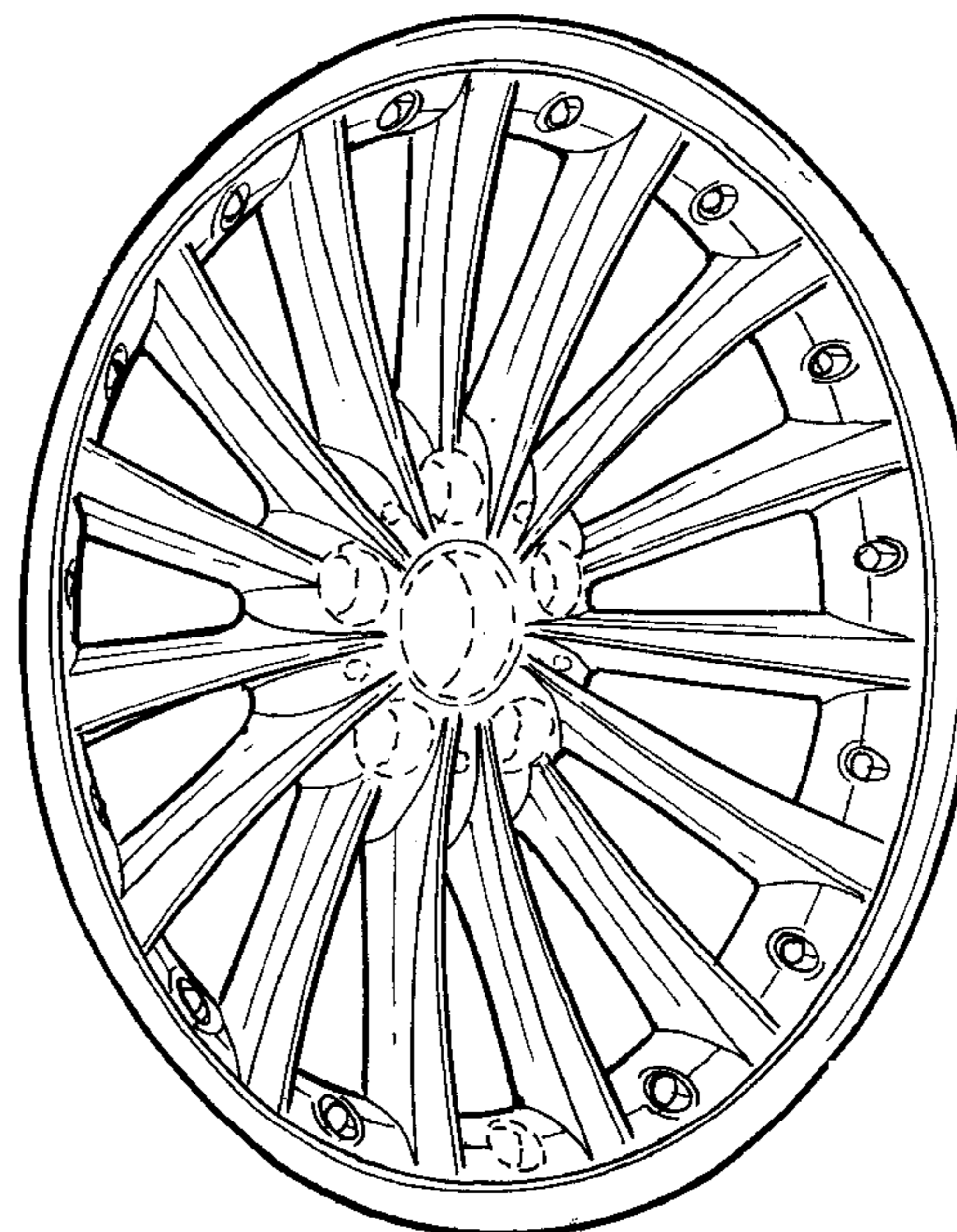
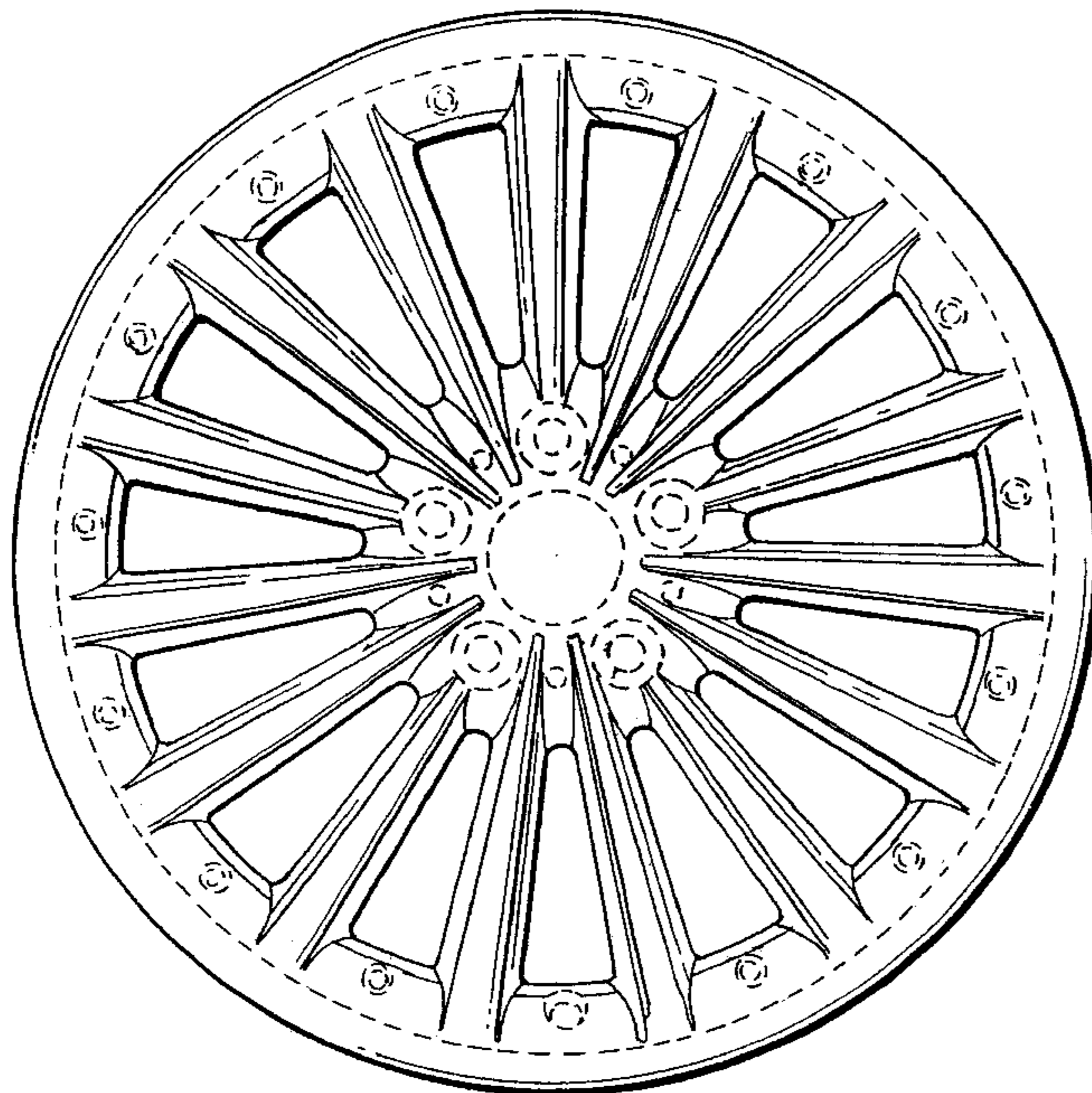
DESCRIPTION

FIG. 1 is a front view of a first embodiment of a front face of a vehicle wheel according to my novel design; and FIG. 2 is a perspective view thereof.

FIG. 3 is a front view of a second embodiment of the front face of a vehicle wheel according to my novel design; and, FIG. 4 is a perspective view thereof.

The broken lines are for illustrative purposes only and form no part of the claimed design.

1 Claim, 2 Drawing Sheets



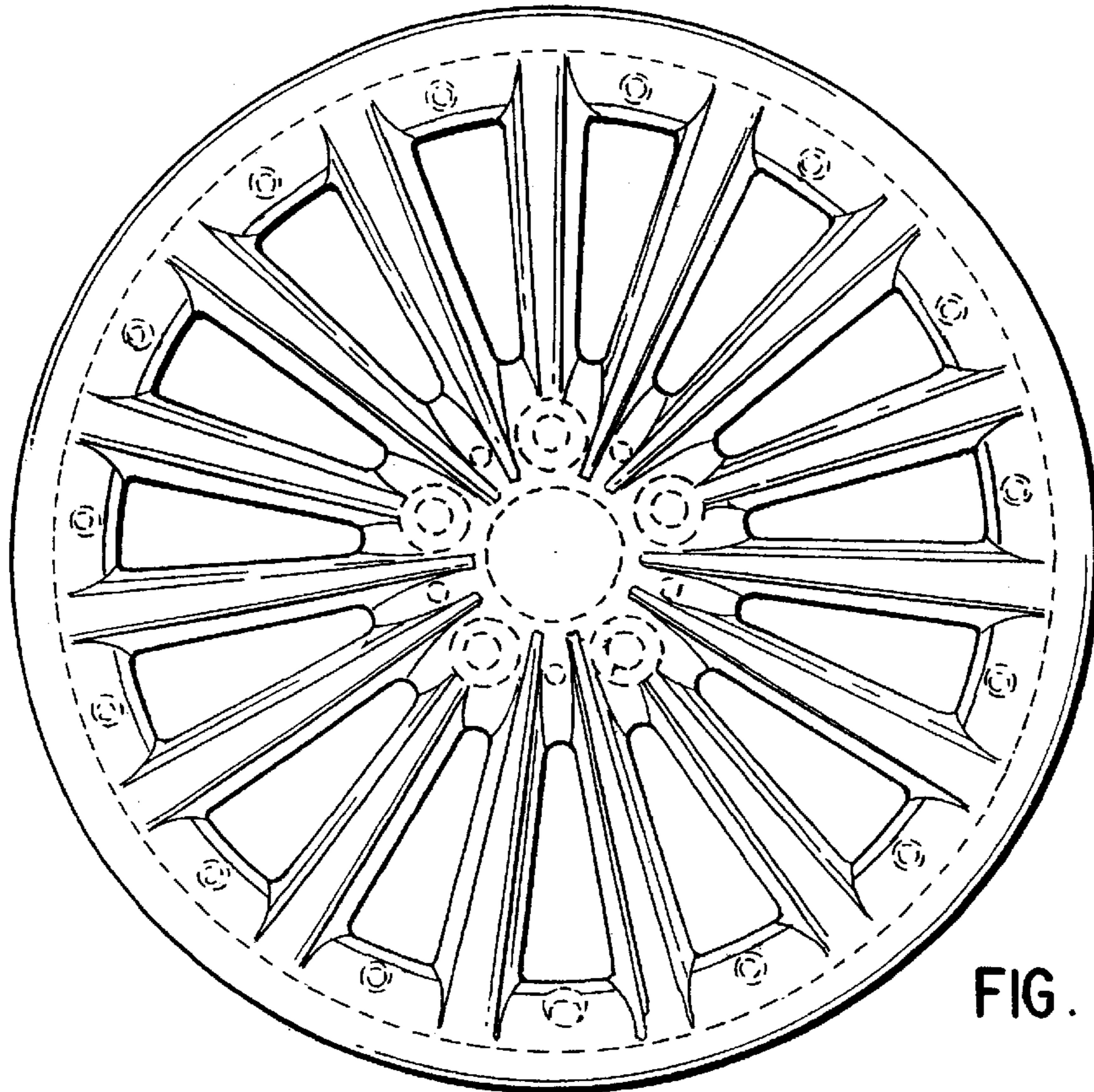


FIG. 1

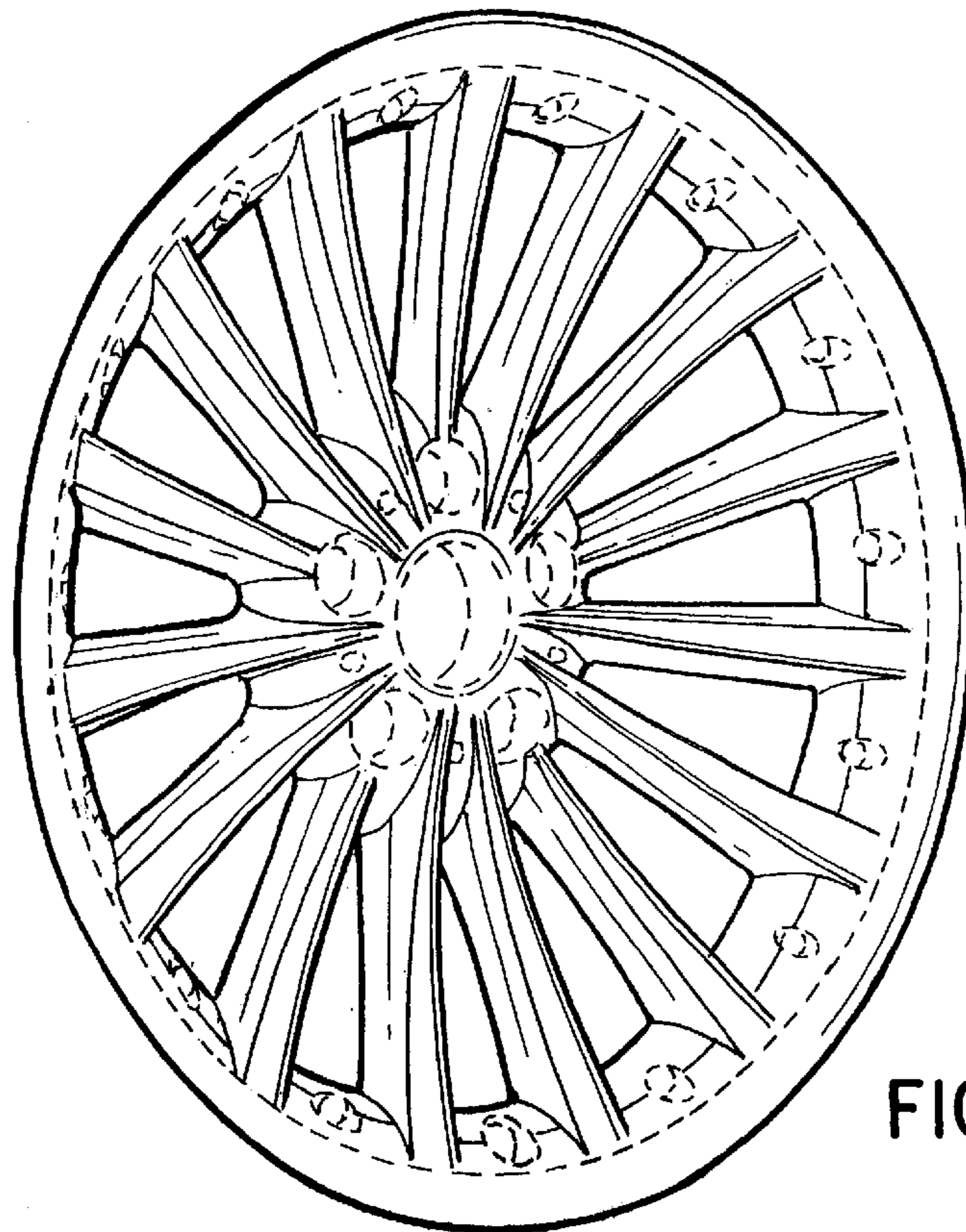


FIG. 2

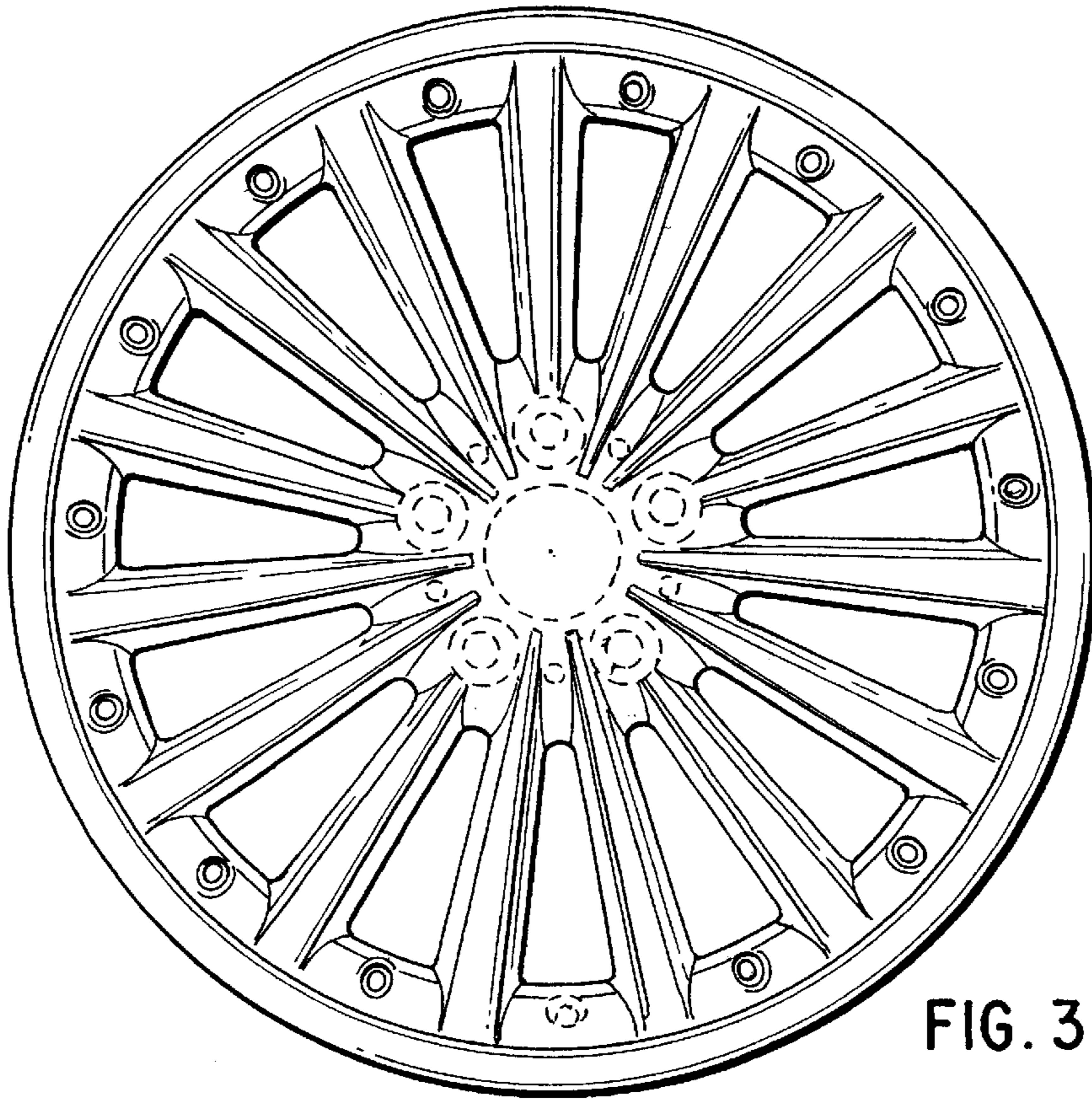


FIG. 3

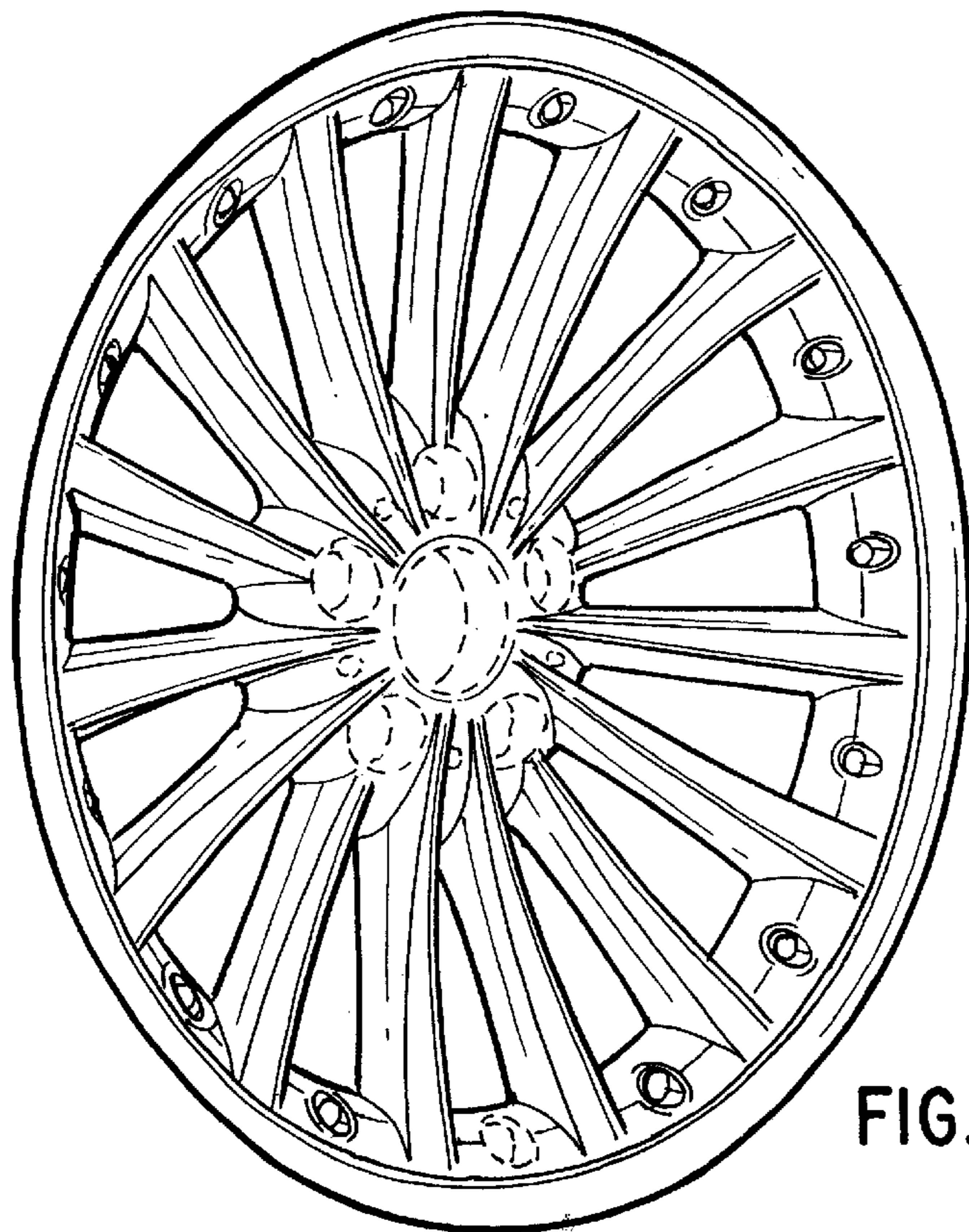


FIG. 4