



US00D522953S

(12) **United States Design Patent**
Guevara

(10) **Patent No.:** **US D522,953 S**

(45) **Date of Patent:** **** Jun. 13, 2006**

(54) **FIVE SPOKE ALLOY WHEEL**

(76) **Inventor:** **Ricardo Guevara**, 121 Express St.,
Plainview, NY (US) 11803

(**) **Term:** **14 Years**

(21) **Appl. No.:** **29/238,694**

(22) **Filed:** **Sep. 20, 2005**

(51) **LOC (8) Cl.** **12-16**

(52) **U.S. Cl.** **D12/211**

(58) **Field of Classification Search** D12/204-213;
301/37.101, 64.101, 65

See application file for complete search history.

D480,038 S * 9/2003 Oh D12/211

D480,672 S * 10/2003 Pfeiffer et al. D12/209

D486,110 S * 2/2004 Elmitt D12/211

D487,242 S * 3/2004 Lecher et al. D12/211

D503,370 S * 3/2005 Nordmann D12/211

D503,371 S * 3/2005 Boyer D12/211

D503,917 S * 4/2005 Kushartanto D12/209

D505,903 S * 6/2005 Nordmann D12/209

* cited by examiner

Primary Examiner—Stacia Cadmus

(74) *Attorney, Agent, or Firm*—Collard & Roe, P.C.

(57) **CLAIM**

The ornamental design for a five spoke alloy wheel, as shown and described.

(56) **References Cited**

U.S. PATENT DOCUMENTS

D259,484 S * 6/1981 Welburn D12/209

D419,517 S * 1/2000 Sacco et al. D12/211

D436,912 S * 1/2001 Boyer D12/211

D467,856 S * 12/2002 Pfeiffer D12/209

D473,505 S * 4/2003 Min D12/209

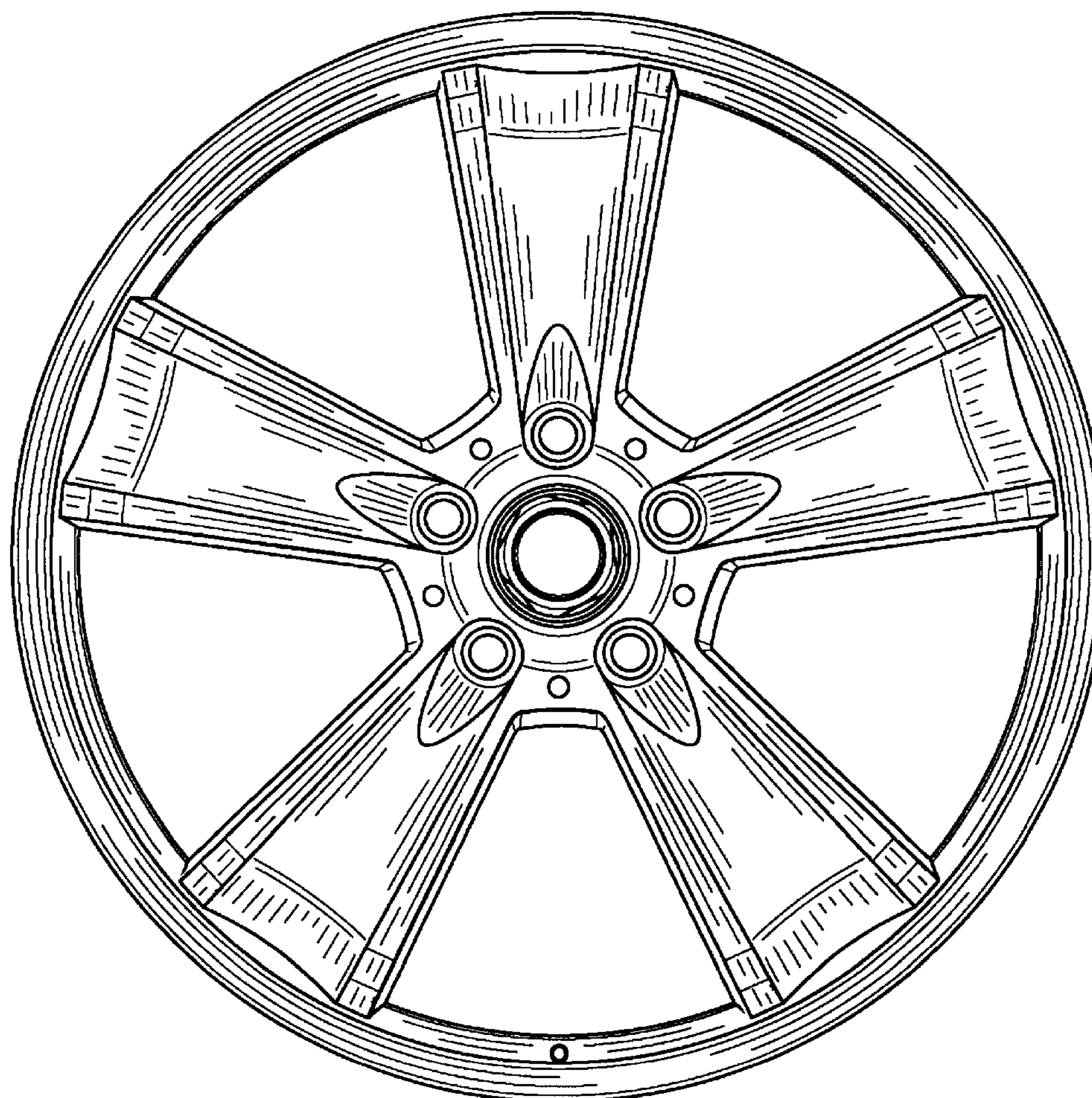
DESCRIPTION

FIG. 1 shows a front perspective view of a five spoke alloy wheel;

FIG. 2 shows a front view of the five spoke alloy wheel; and,

FIG. 3 shows a side view of the five spoke alloy wheel.

1 Claim, 2 Drawing Sheets



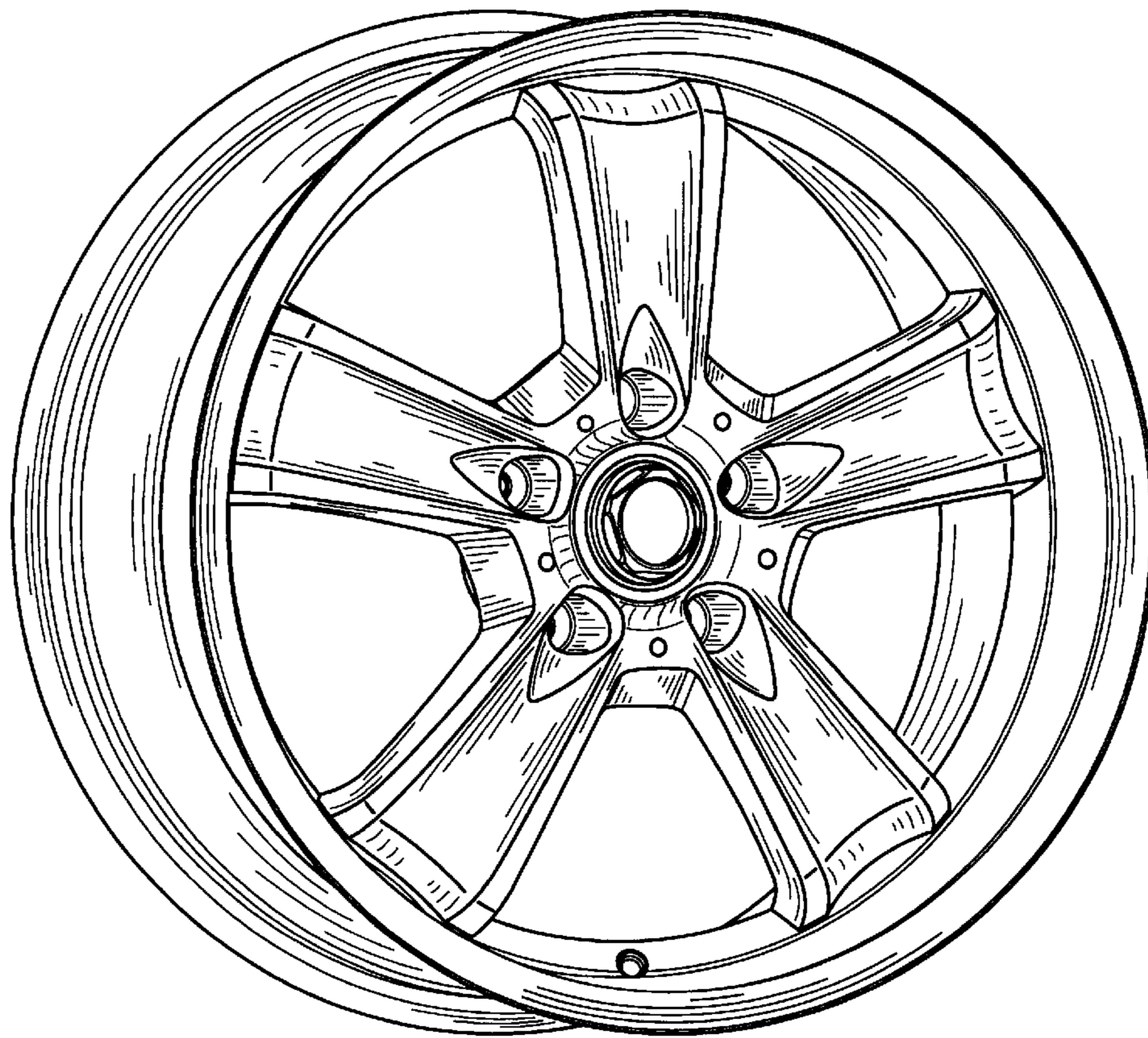


FIG. 1

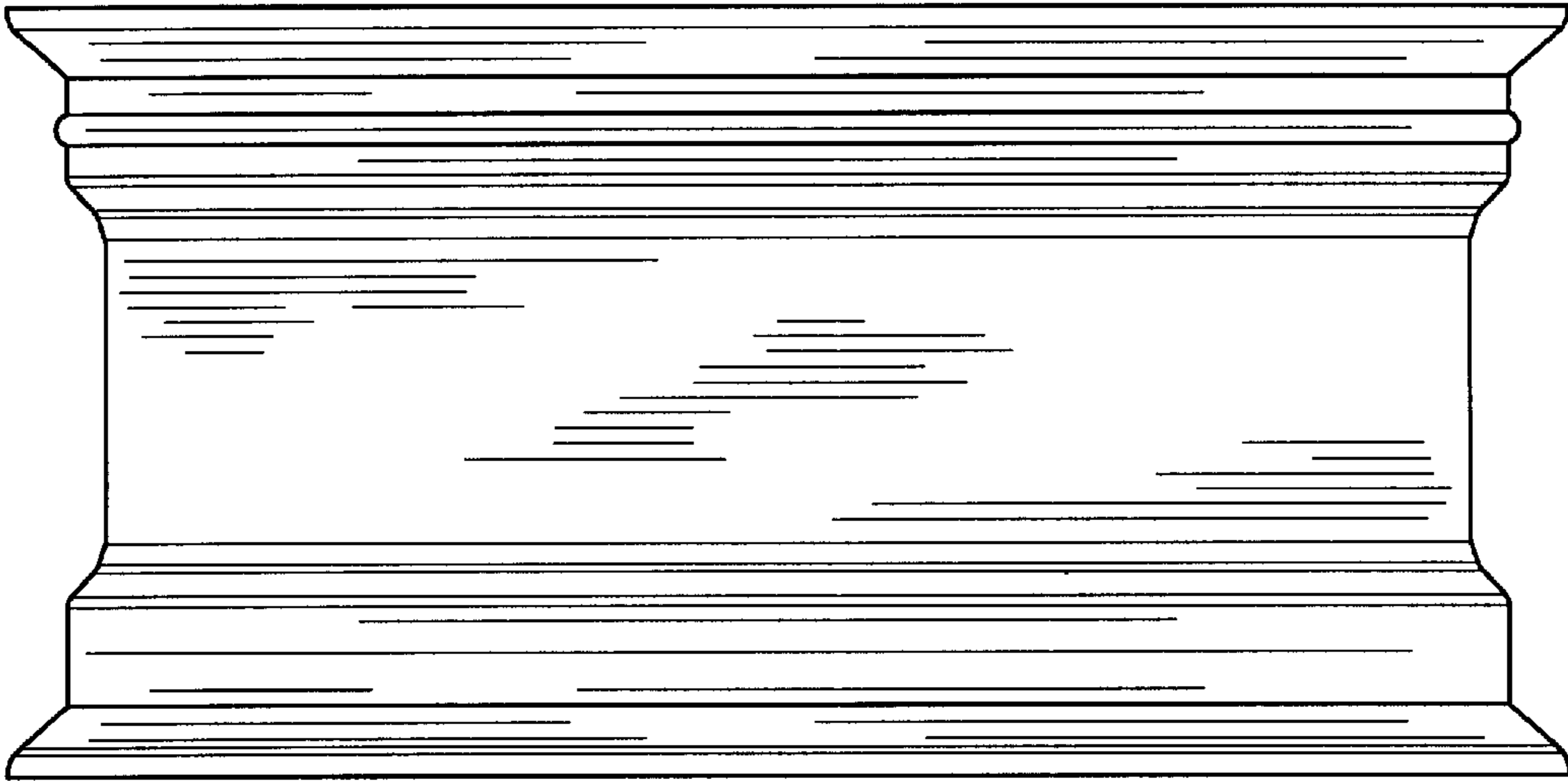


FIG. 2

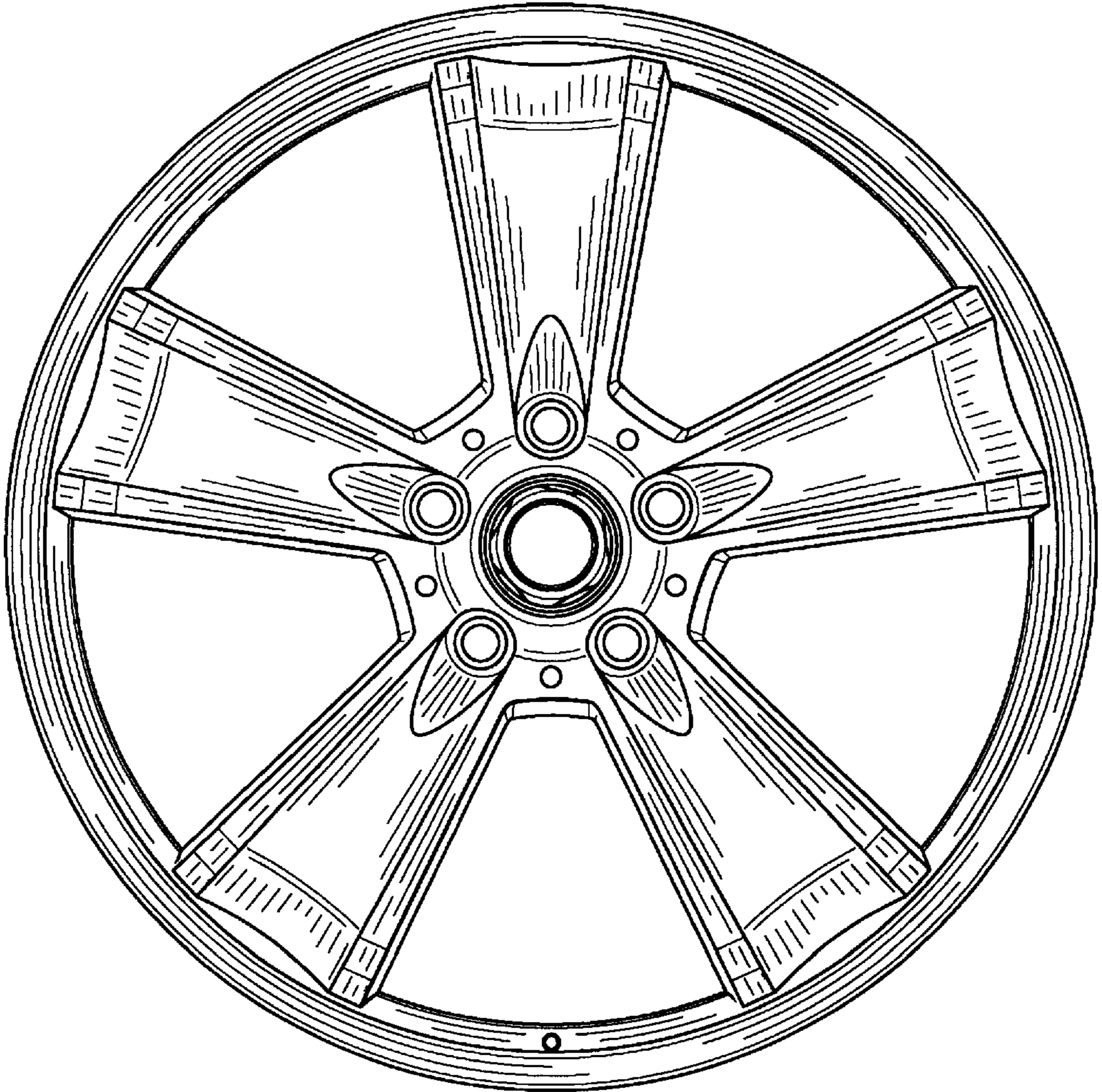


FIG. 3