



US00D522949S

(12) **United States Design Patent**
Elmitt

(10) **Patent No.:** **US D522,949 S**
(45) **Date of Patent:** **** Jun. 13, 2006**

(54) **FRONT FACE OF A VEHICLE WHEEL**

(75) Inventor: **Karl John Elmitt**, Eching (DE)

(73) Assignee: **Bayerische Motoren Werke
Aktiengesellschaft**, Munich (DE)

(**) Term: **14 Years**

(21) Appl. No.: **29/222,220**

(22) Filed: **Jan. 28, 2005**

(30) **Foreign Application Priority Data**

Jul. 30, 2004 (DE) 4 04 04 409

(51) **LOC (8) Cl.** **12-16**

(52) **U.S. Cl.** **D12/211**

(58) **Field of Classification Search** D12/204-213;
301/37.101, 64.101, 65

See application file for complete search history.

(56) **References Cited**

U.S. PATENT DOCUMENTS

D368,885 S * 4/1996 Wagner D12/209
D458,571 S * 6/2002 Maifrini D12/209

D480,343 S * 10/2003 Oh D12/209
D485,223 S * 1/2004 Pfeiffer et al. D12/209
D486,437 S * 2/2004 Hieke D12/211
D486,770 S * 2/2004 Pollmann D12/209
D495,985 S * 9/2004 Lai D12/209
D500,277 S * 12/2004 Kataoka D12/209
D504,100 S * 4/2005 Pollmann D12/211

* cited by examiner

Primary Examiner—Stacia Cadmus

(74) *Attorney, Agent, or Firm*—Crowell & Moring LLP

(57) **CLAIM**

The ornamental design for a front face of a vehicle wheel,
as shown and described.

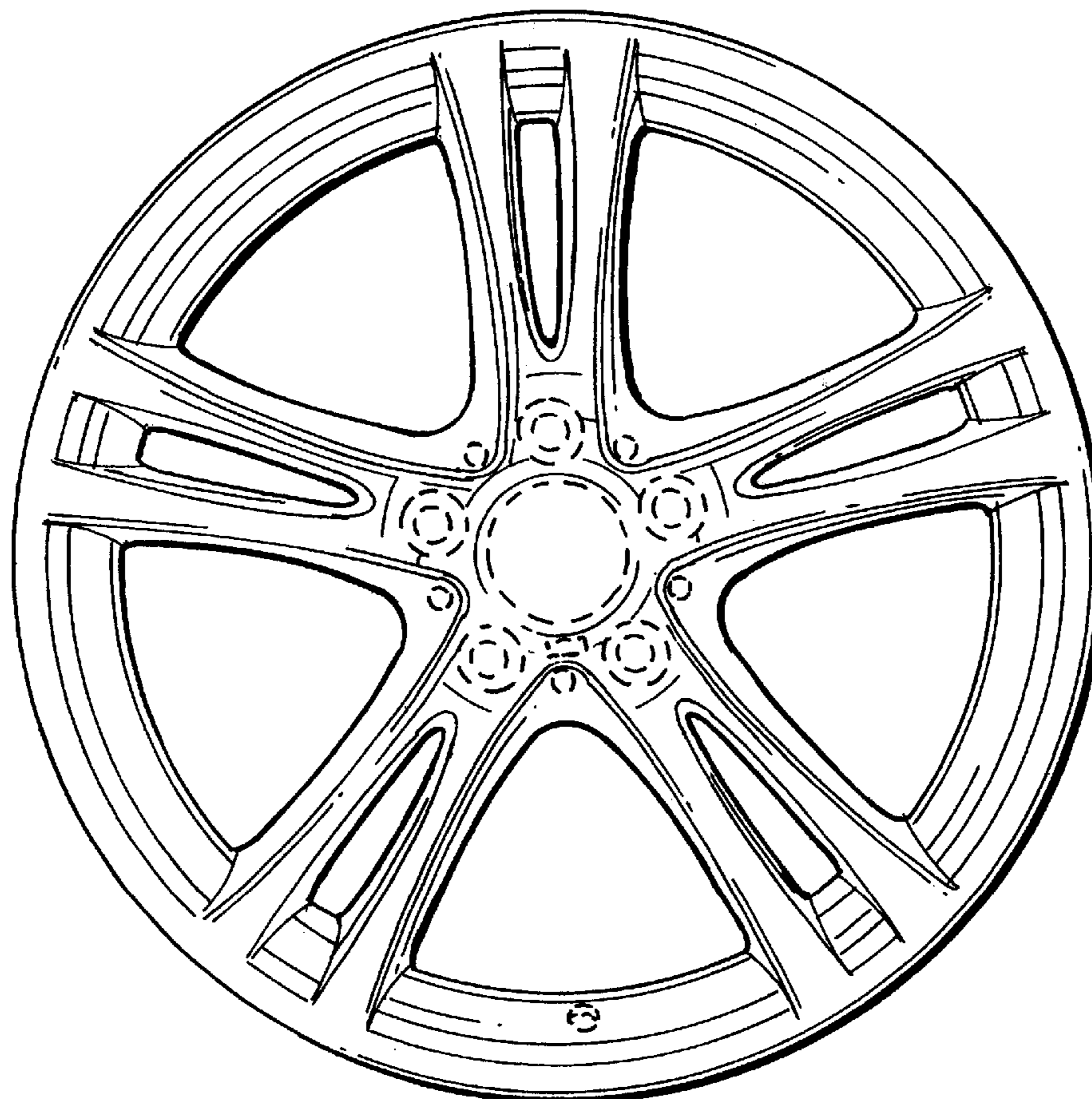
DESCRIPTION

FIG. 1 is a front view of a front face of a vehicle wheel
according to my novel design; and,

FIG. 2 is a perspective view of the front face of a vehicle
wheel according to my novel design.

The broken lines are for illustrative purposes only and form
no part of the claimed design.

1 Claim, 1 Drawing Sheet



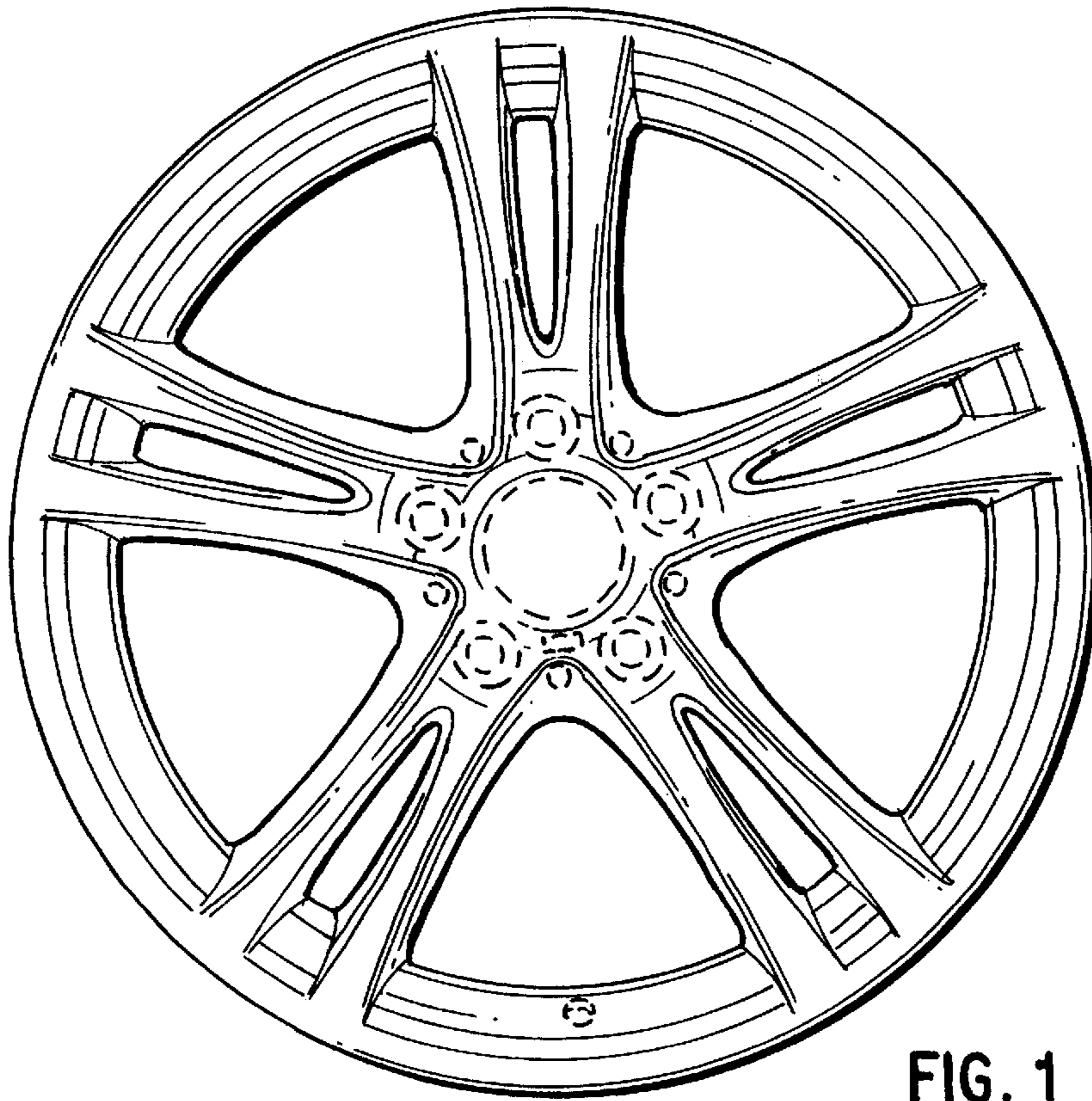


FIG. 1

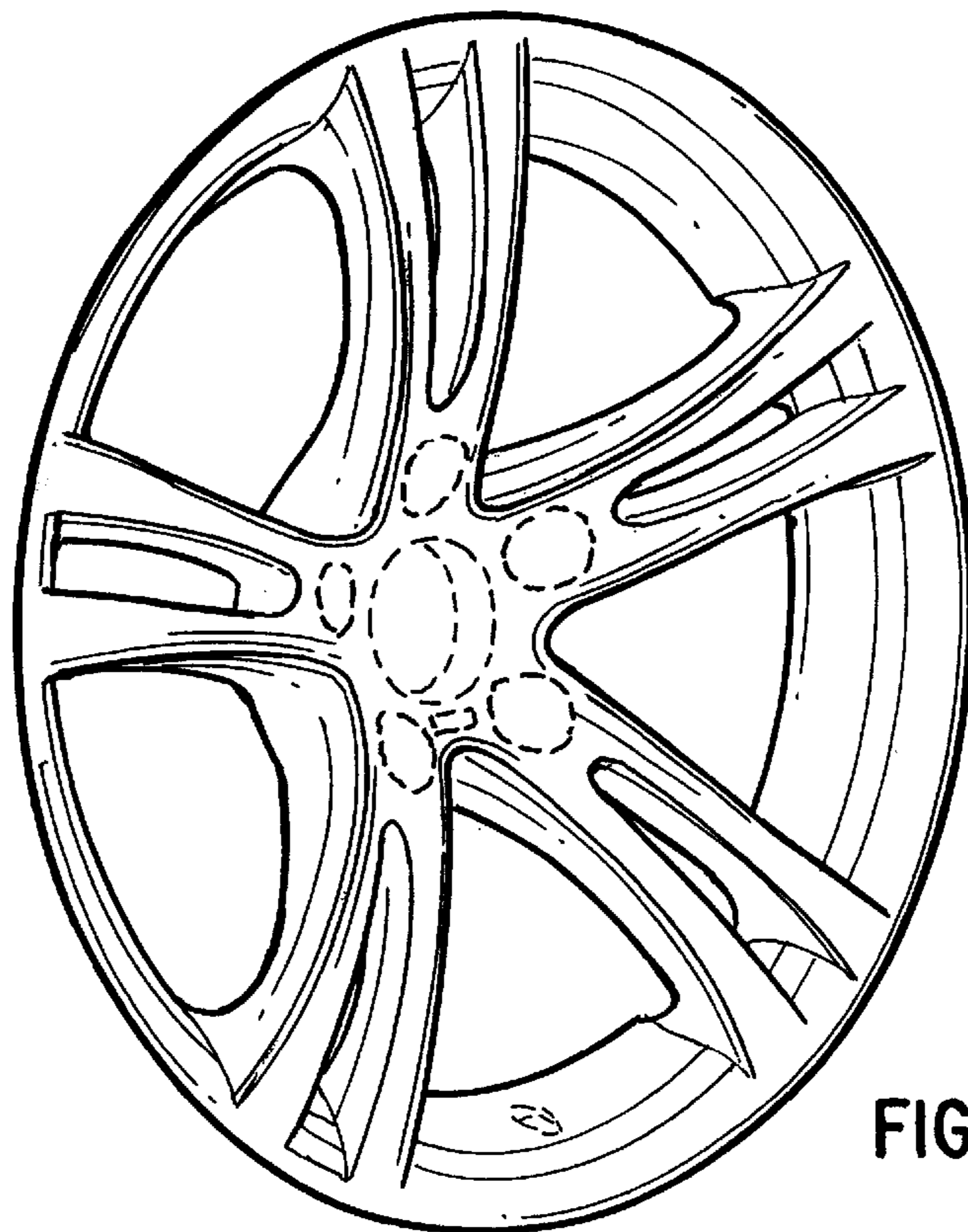


FIG. 2