



US00D522947S

(12) **United States Design Patent**  
**Hieke**

(10) **Patent No.:** **US D522,947 S**

(45) **Date of Patent:** **\*\* \*Jun. 13, 2006**

(54) **FRONT FACE OF A VEHICLE WHEEL**

(75) Inventor: **Claus Hieke**, Sindelfingen (DE)

(73) Assignee: **DaimlerChrysler AG**, Stuttgart (DE)

(\*) Notice: This patent is subject to a terminal disclaimer.

(\*\*) Term: **14 Years**

(21) Appl. No.: **29/220,601**

(22) Filed: **Jan. 4, 2005**

(30) **Foreign Application Priority Data**

Jul. 7, 2004 (DE) ..... 4 04 03 902

(51) **LOC (8) Cl.** ..... **12-16**

(52) **U.S. Cl.** ..... **D12/209**

(58) **Field of Classification Search** ..... D12/204-213;  
301/37.101, 64.101, 65

See application file for complete search history.

(56) **References Cited**

**U.S. PATENT DOCUMENTS**

D407,057 S \* 3/1999 Goplen ..... D12/211  
D436,912 S \* 1/2001 Boyer ..... D12/211  
D454,325 S \* 3/2002 Hieke ..... D12/209

D454,530 S \* 3/2002 Hieke ..... D12/211  
D462,309 S \* 9/2002 Hieke ..... D12/211  
D470,093 S \* 2/2003 Frizzi ..... D12/209  
D481,664 S \* 11/2003 Vian ..... D12/211  
D483,313 S \* 12/2003 Lenz ..... D12/209  
D505,373 S \* 5/2005 Pfeiffer ..... D12/209

\* cited by examiner

*Primary Examiner*—Stacia Cadmus

(74) *Attorney, Agent, or Firm*—Crowell & Moring LLP

(57) **CLAIM**

The ornamental design for a front face of a vehicle wheel, as shown and described.

**DESCRIPTION**

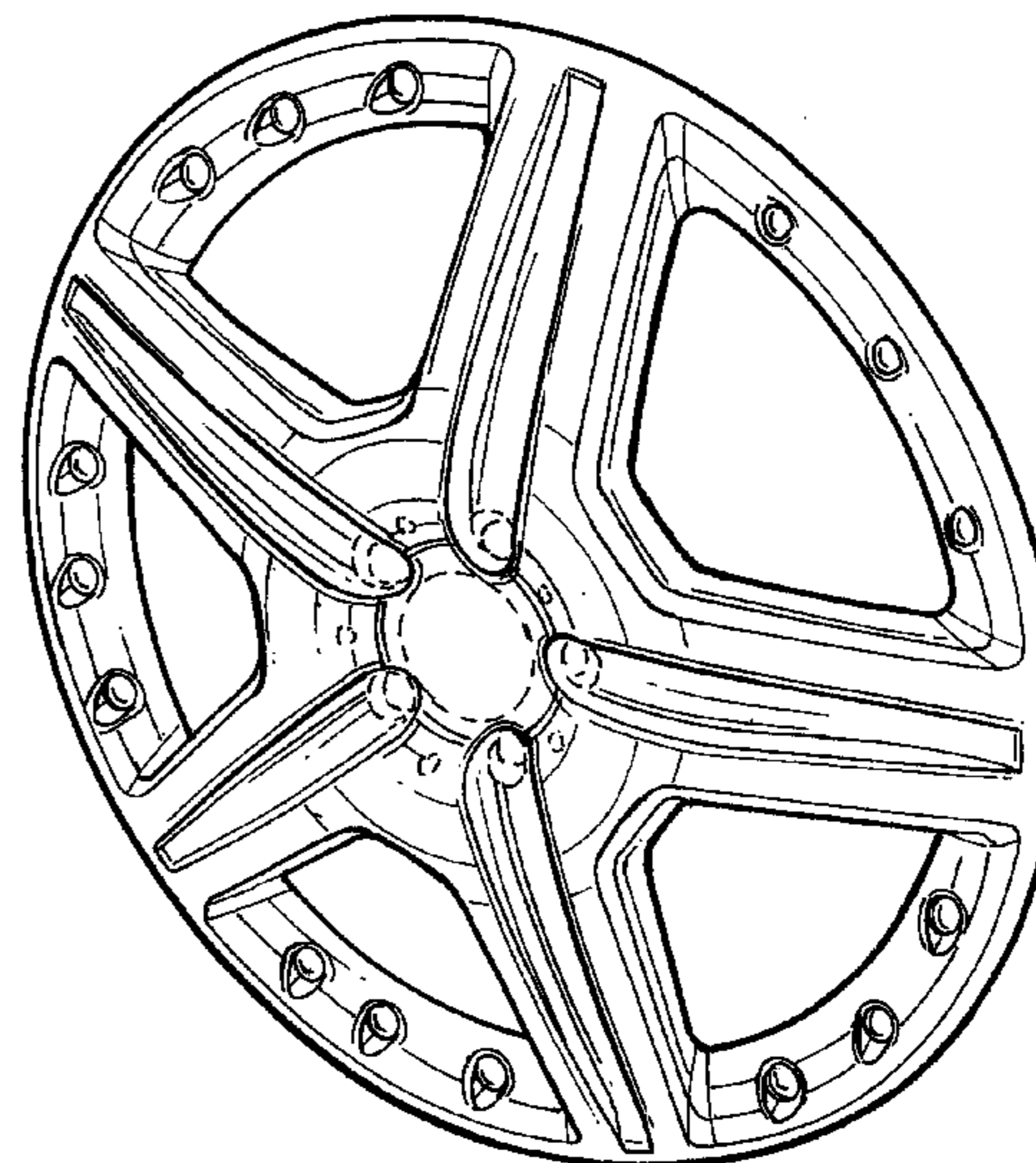
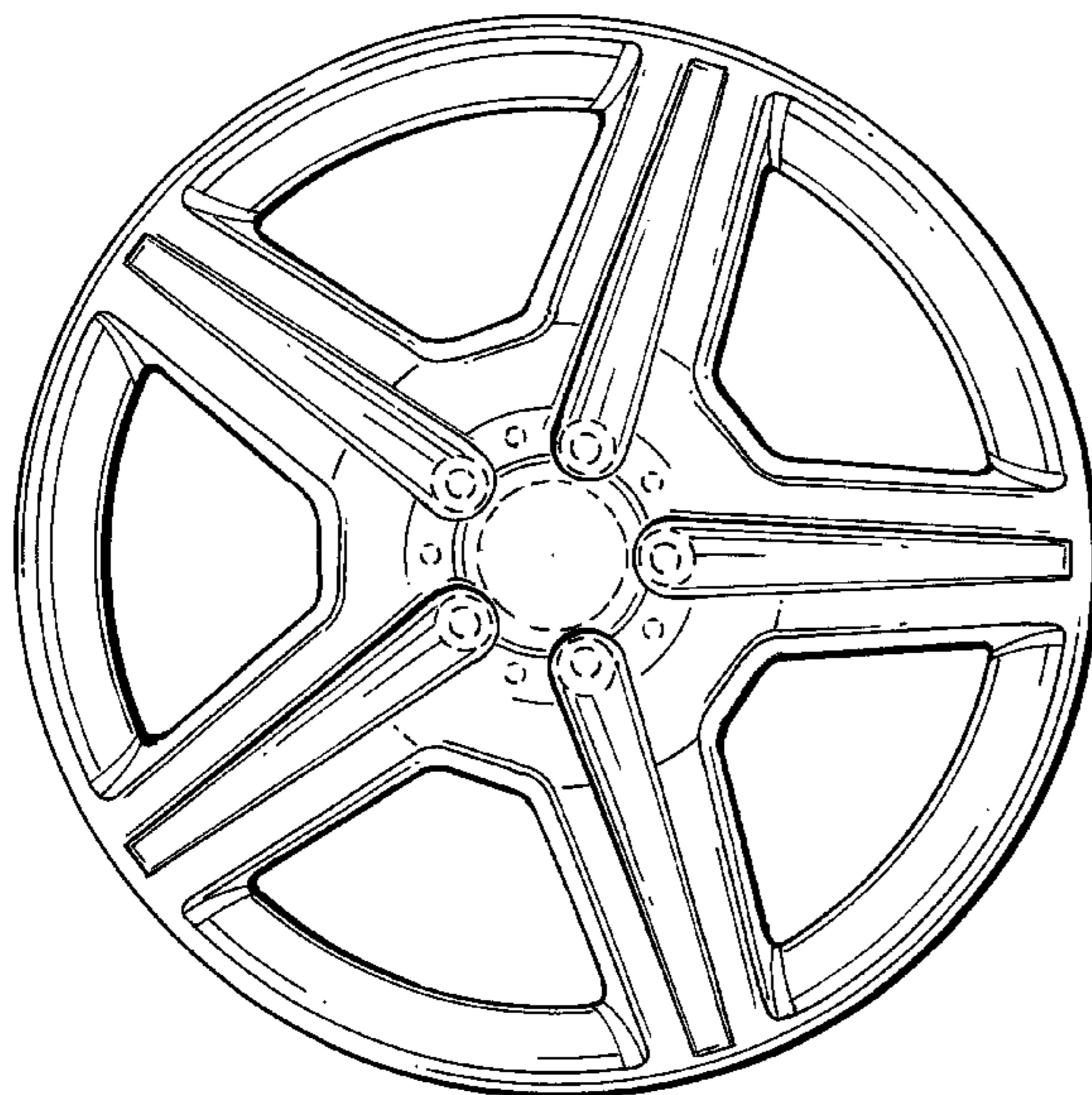
FIG. 1 is a front view of a first embodiment of a front face of a vehicle wheel according to my novel design;

FIG. 2 is a perspective view of the first embodiment of the front face of a vehicle wheel according to my novel design;

FIG. 3 is a front view of a second embodiment of the front face of a vehicle wheel according to my novel design; and, FIG. 4 is a perspective view of the second embodiment of the front face of a vehicle wheel according to my novel design.

The broken lines are for illustrative purposes only and form no part of the claimed design.

**1 Claim, 2 Drawing Sheets**



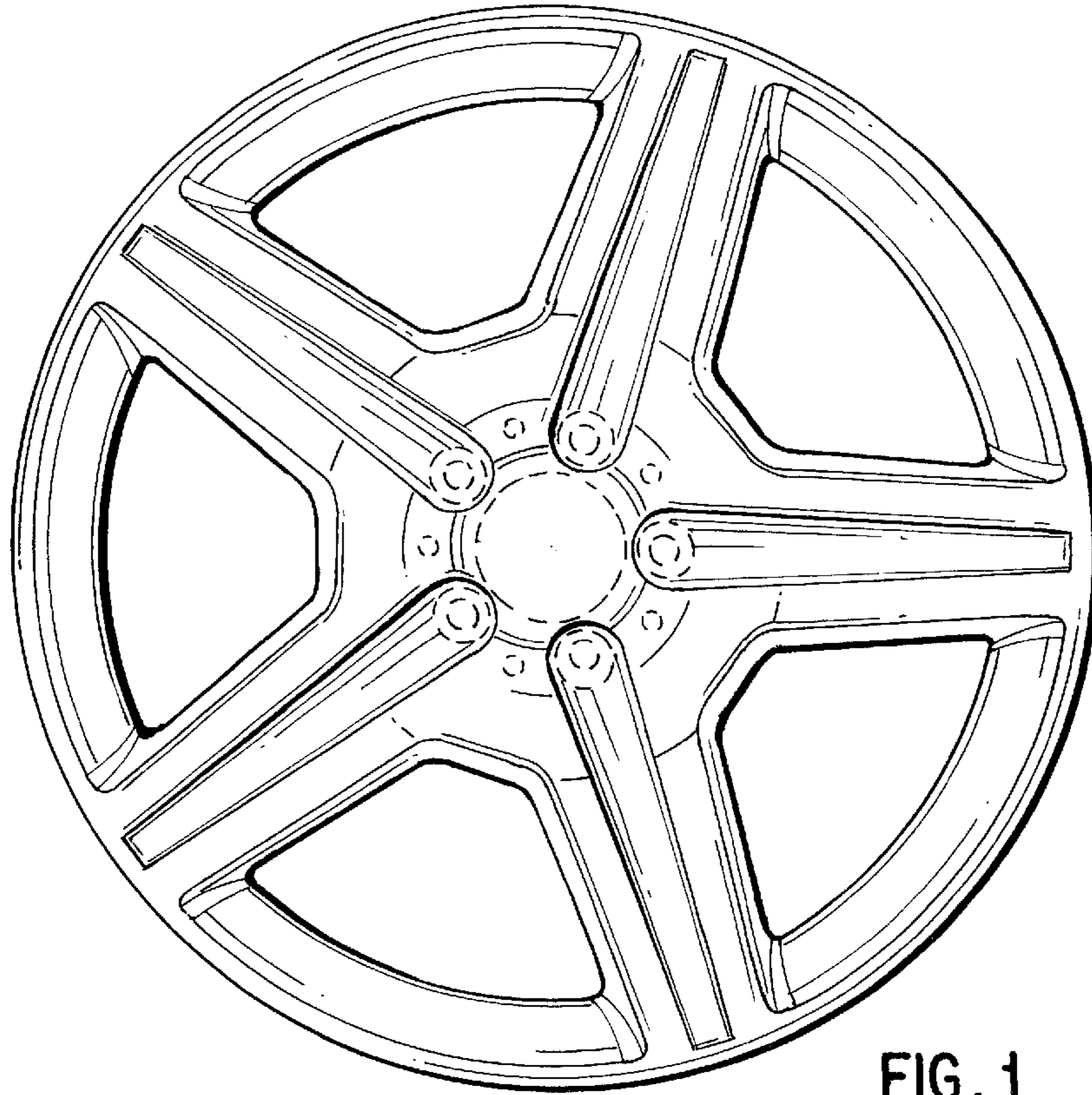


FIG. 1

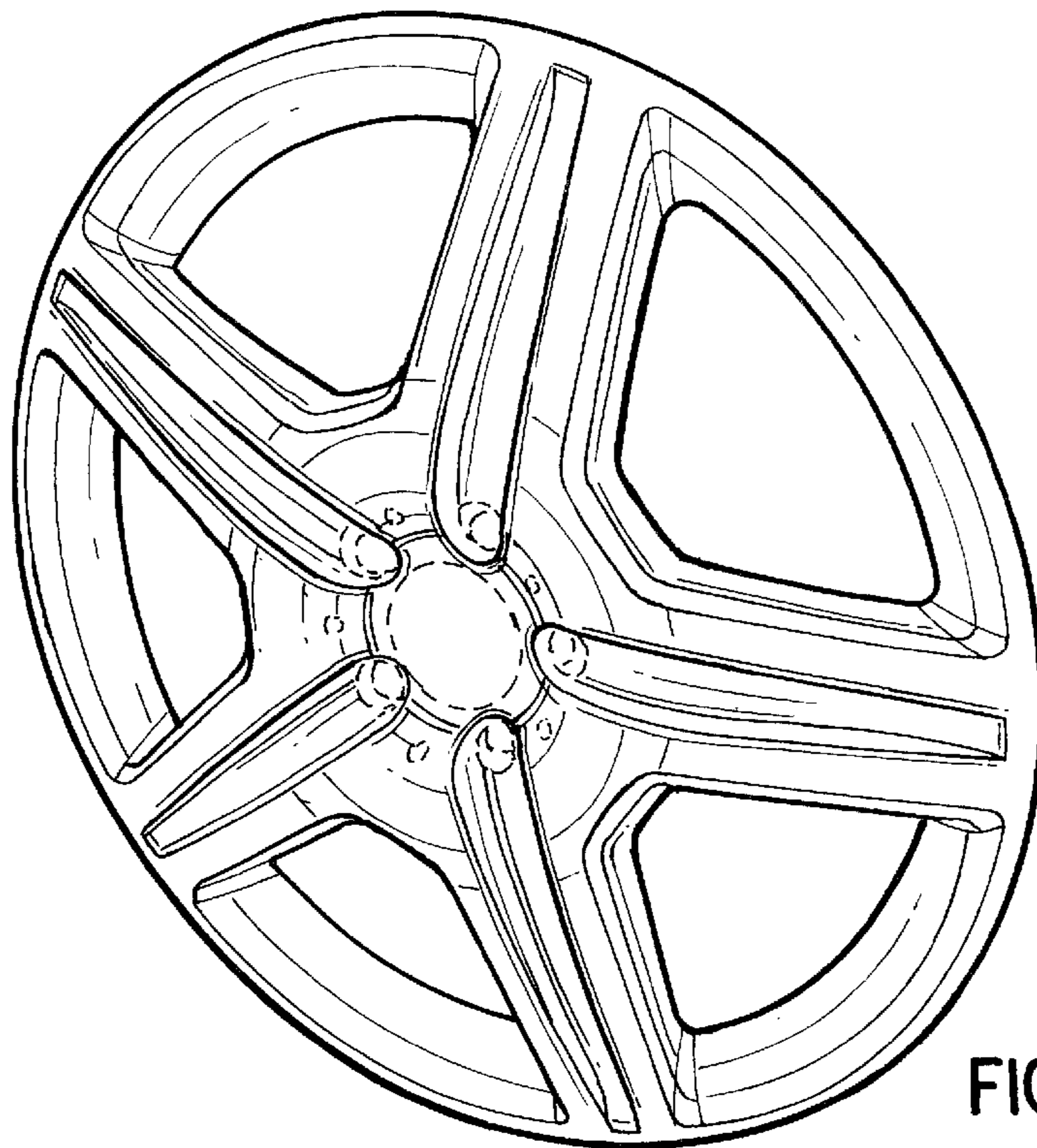


FIG. 2

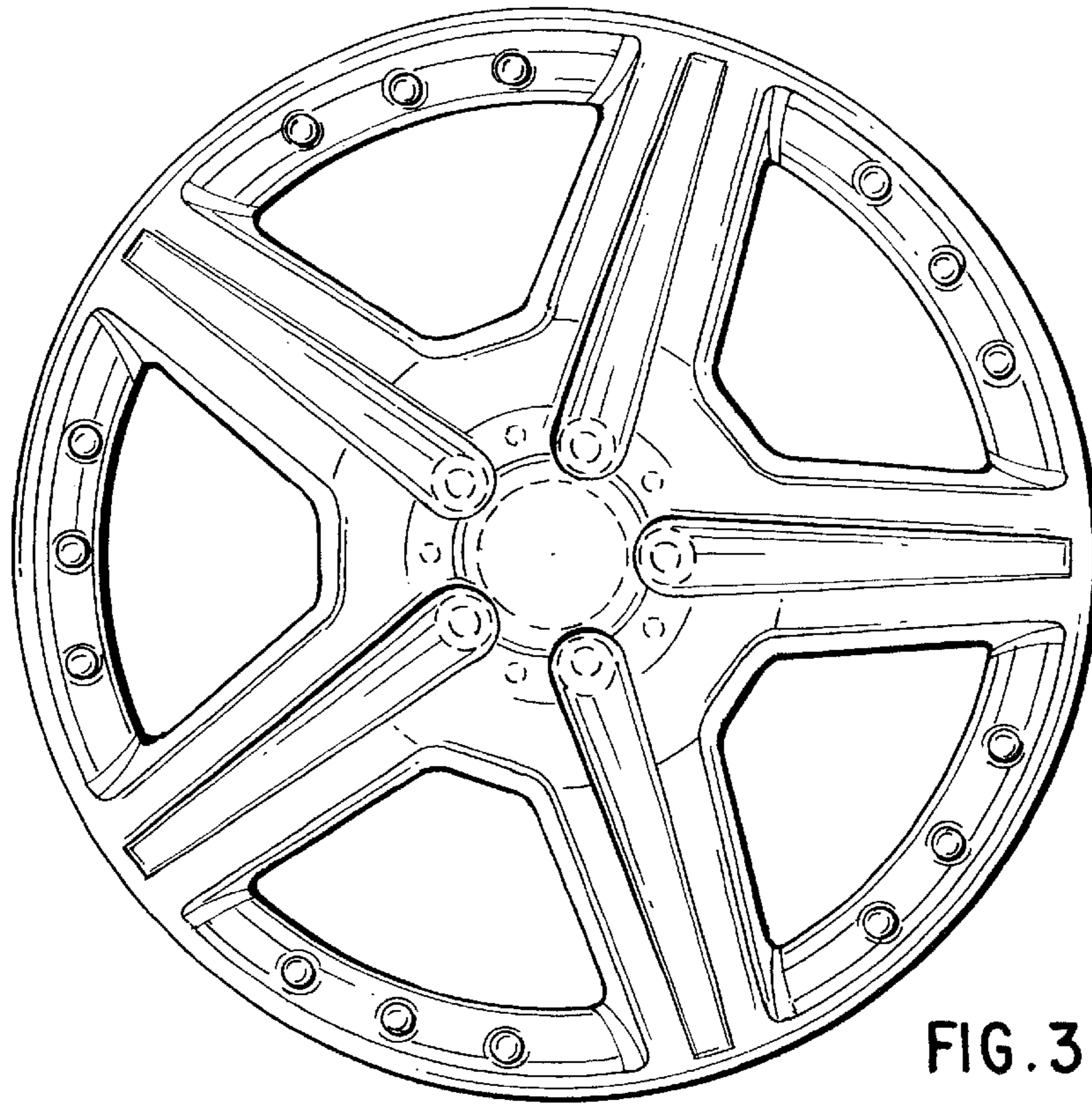


FIG. 3

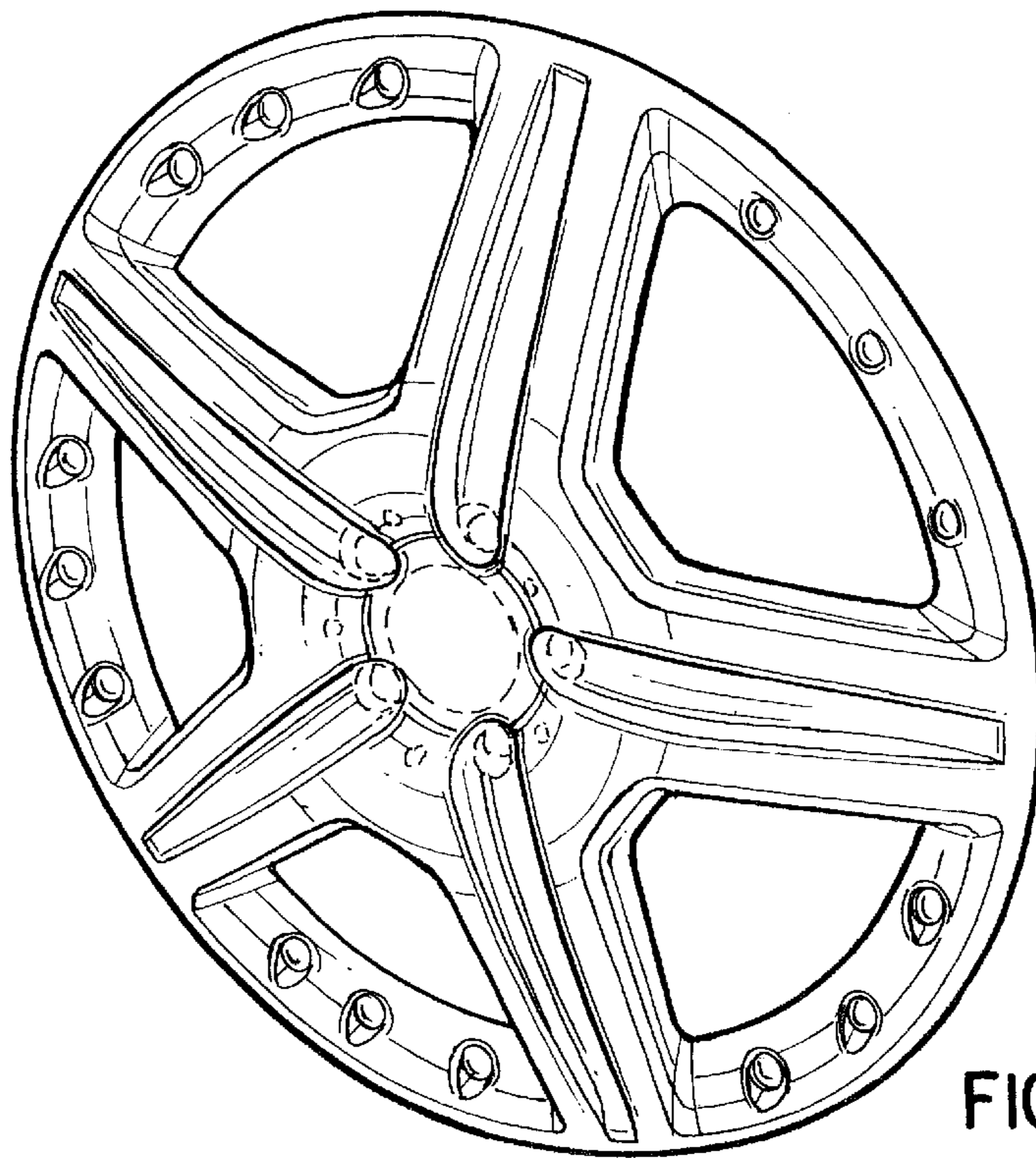


FIG. 4