



US00D522946S

(12) **United States Design Patent**
Hieke

(10) **Patent No.:** **US D522,946 S**
(45) **Date of Patent:** **** Jun. 13, 2006**

(54) **FRONT FACE OF A VEHICLE WHEEL**

(75) Inventor: **Claus Hieke**, Sindelfingen (DE)

(73) Assignee: **DaimlerChrysler AG**, Stuttgart (DE)

(**) Term: **14 Years**

(21) Appl. No.: **29/220,560**

(22) Filed: **Jan. 4, 2005**

(30) **Foreign Application Priority Data**

Jul. 7, 2004 (DE) 4 04 03 902

(51) **LOC (8) Cl.** **12-16**

(52) **U.S. Cl.** **D12/209**

(58) **Field of Classification Search** D12/204-213;
301/37.101, 64.101, 65

See application file for complete search history.

(56) **References Cited**

U.S. PATENT DOCUMENTS

- D407,057 S * 3/1999 Goplen D12/211
- D436,912 S * 1/2001 Boyer D12/211
- D454,325 S * 3/2002 Hieke D12/209
- D454,530 S * 3/2002 Hieke D12/211
- D462,309 S * 9/2002 Hieke D12/211

- D470,093 S * 2/2003 Frizzi D12/209
- D481,664 S * 11/2003 Vian D12/211
- D483,313 S * 12/2003 Lenz D12/209
- D505,373 S * 5/2005 Pfeiffer D12/209

* cited by examiner

Primary Examiner—Stacia Cadmus

(74) *Attorney, Agent, or Firm*—Crowell & Moring LLP

(57) **CLAIM**

The ornamental design for a front face of a vehicle wheel, as shown and described.

DESCRIPTION

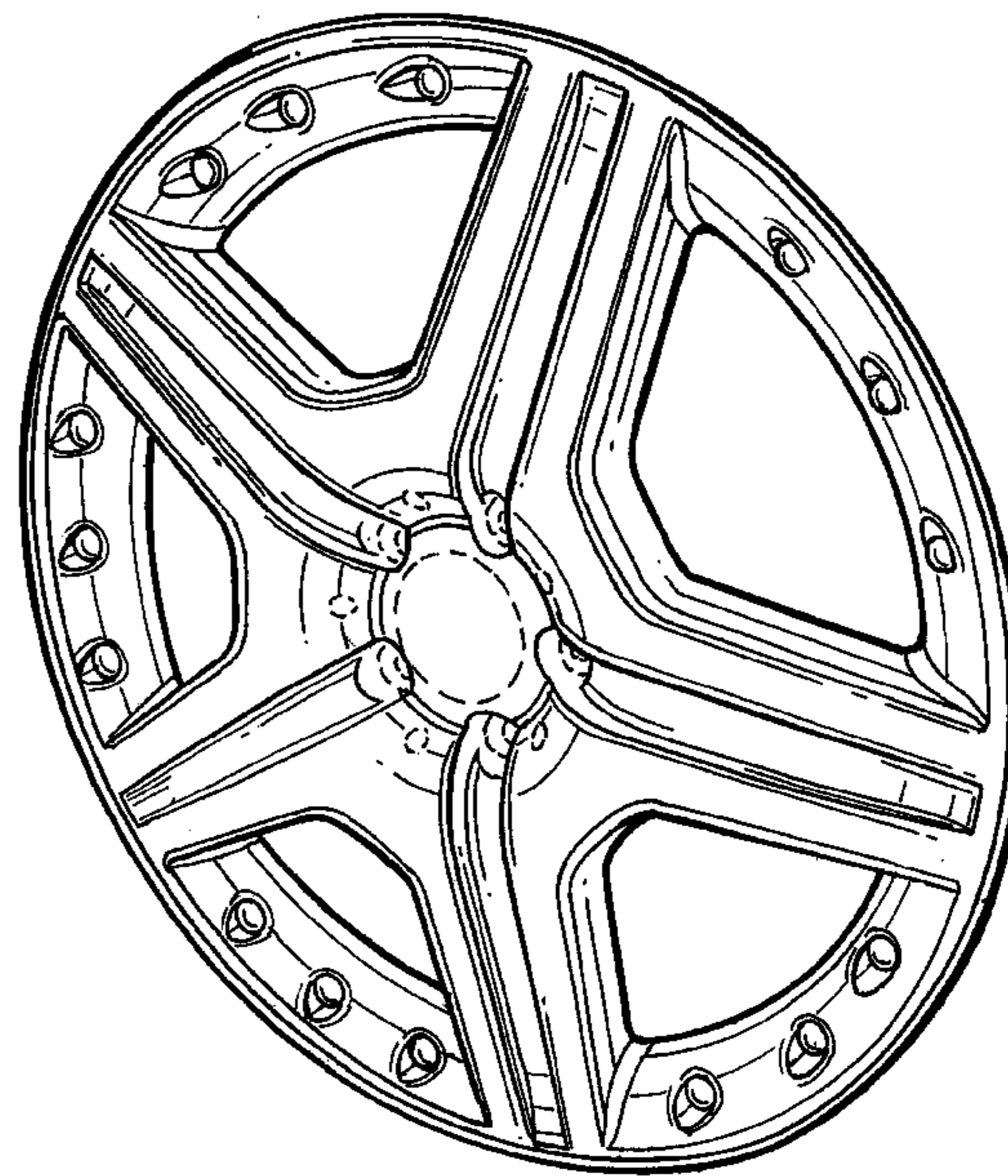
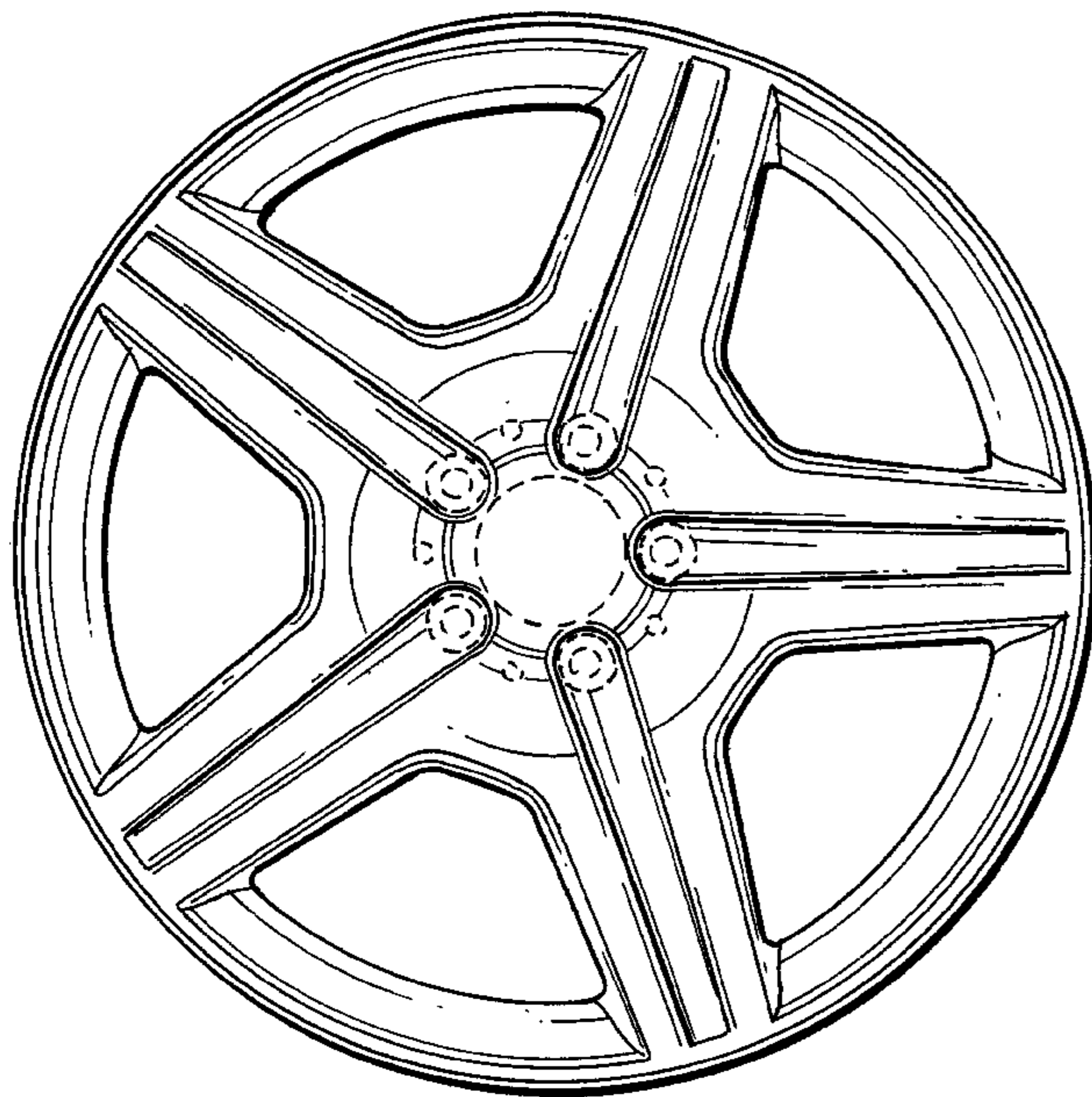
FIG. 1 is a front view of a first embodiment of a front face of a vehicle wheel according to my novel design;

FIG. 2 is a perspective view of the first embodiment of the front face of a vehicle wheel according to my novel design;

FIG. 3 is a front view of a second embodiment of the front face of a vehicle wheel according to my novel design; and, FIG. 4 is a perspective view of the second embodiment of the front face of a vehicle wheel according to my novel design.

The broken lines are for illustrative purposes only and form no part of the claimed design.

1 Claim, 2 Drawing Sheets



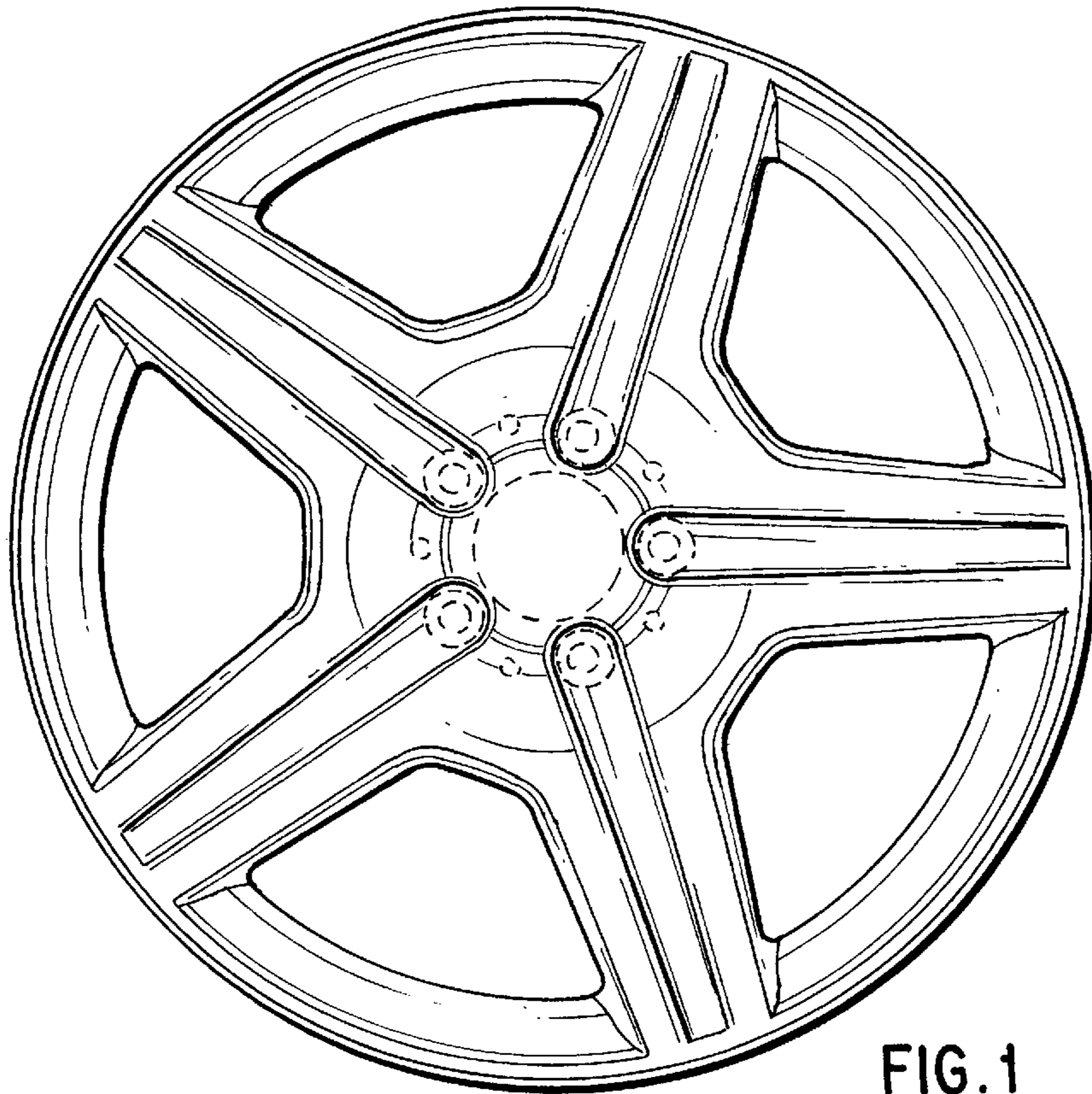


FIG. 1

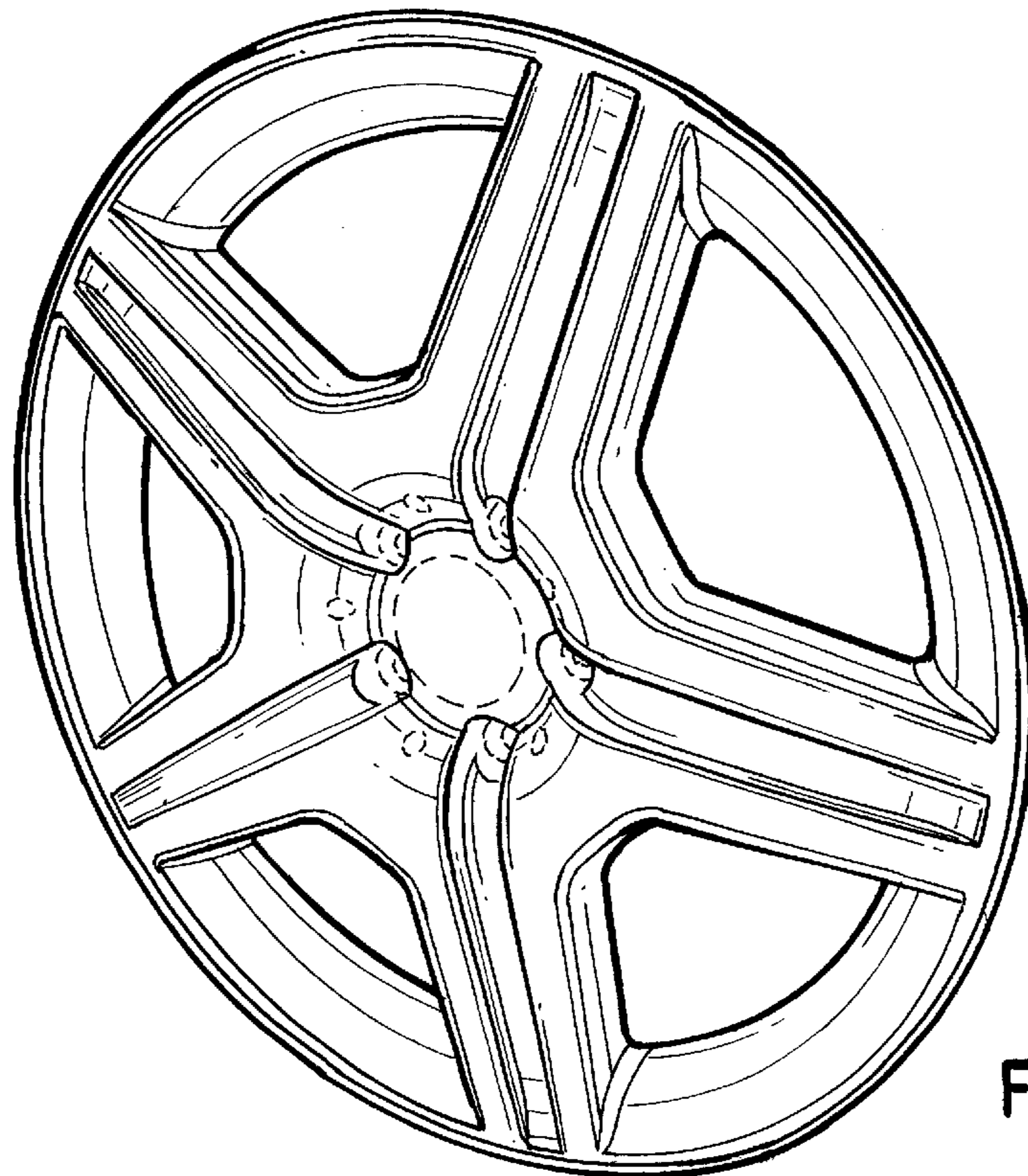


FIG. 2

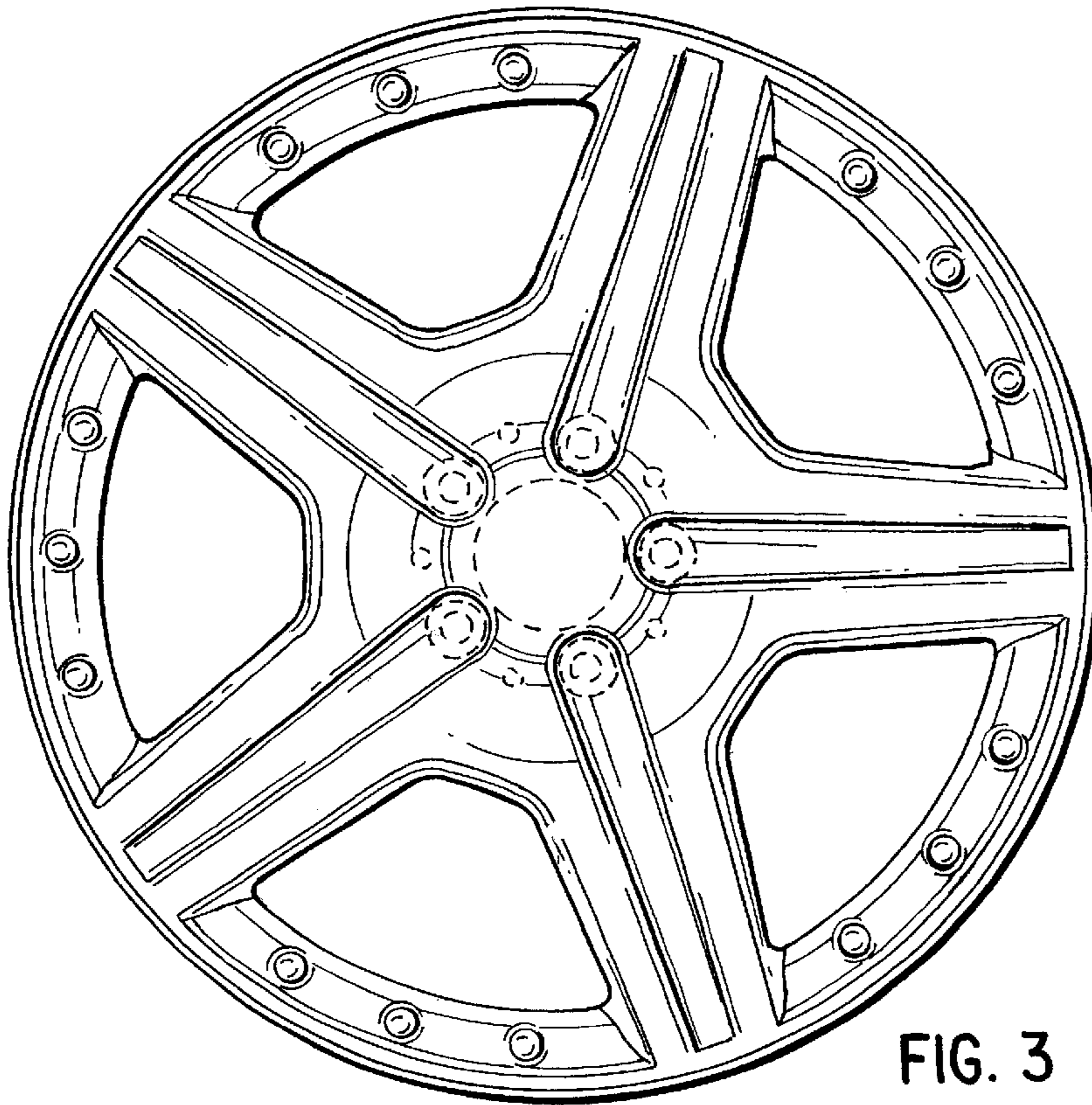


FIG. 3

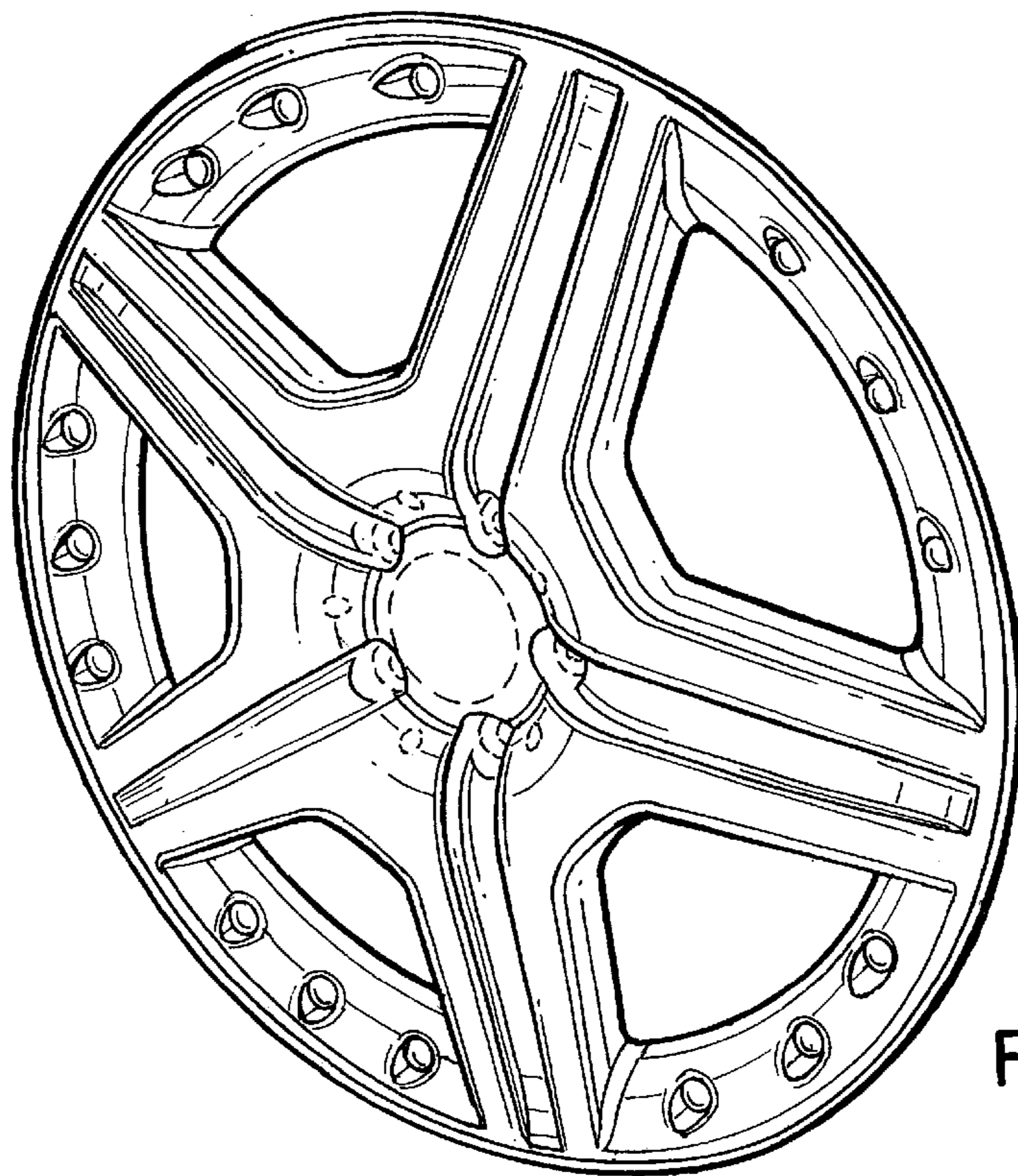


FIG. 4